

US00D509192S

(12) **United States Design Patent** (10) **Patent No.:** **US D509,192 S**
Chen (45) **Date of Patent:** **** Sep. 6, 2005**

(54) **ELECTRICAL CONNECTOR**

(75) Inventor: **Marlon Chen**, Taichung (TW)

(73) Assignee: **Excel Cell Electronic Co., Ltd.**,
Taichung (TW)

(**) Term: **14 Years**

(21) Appl. No.: **29/207,627**

(22) Filed: **Jun. 15, 2004**

(51) **LOC (8) Cl.** **13-03**

(52) **U.S. Cl.** **D13/147**

(58) **Field of Search** D13/147; 439/79,
439/108, 607-610

(56) **References Cited**

U.S. PATENT DOCUMENTS

6,007,382	A	*	12/1999	Wu	439/607
D425,027	S	*	5/2000	Nishio et al.	D13/147
D427,567	S	*	7/2000	Nishio et al.	D13/147
6,290,540	B1	*	9/2001	Nishio et al.	439/607
D452,848	S	*	1/2002	Shimojyo	D13/147
6,508,678	B1	*	1/2003	Yang	439/677
D476,954	S	*	7/2003	Nishio et al.	D13/147

OTHER PUBLICATIONS

U.S. Appl. No. 10/869,224.

* cited by examiner

Primary Examiner—Stella Reid

Assistant Examiner—Selina Sikder

(74) *Attorney, Agent, or Firm*—Christie, Parker and Hale, LLP

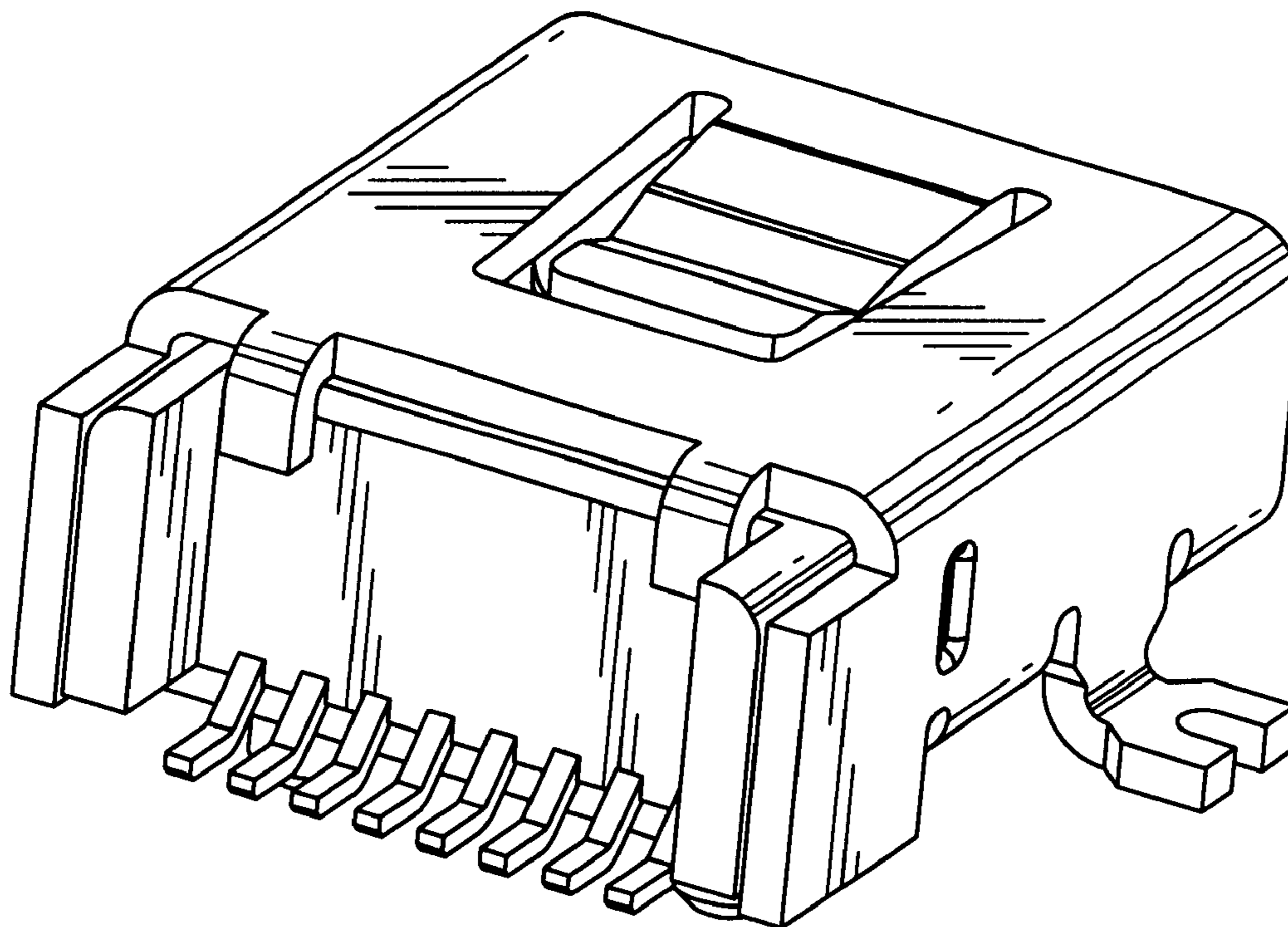
(57) **CLAIM**

The ornamental design for an electrical connector, as shown and described.

DESCRIPTION

FIG. 1 is a perspective view of an electrical connector showing my new design; FIG. 2 is a front elevational view thereof; FIG. 3 is a rear elevational view thereof; FIG. 4 is a left side elevational view thereof; FIG. 5 is a right side elevational view thereof; FIG. 6 is a top plan view thereof; and, FIG. 7 is a bottom plan view thereof.

1 Claim, 4 Drawing Sheets



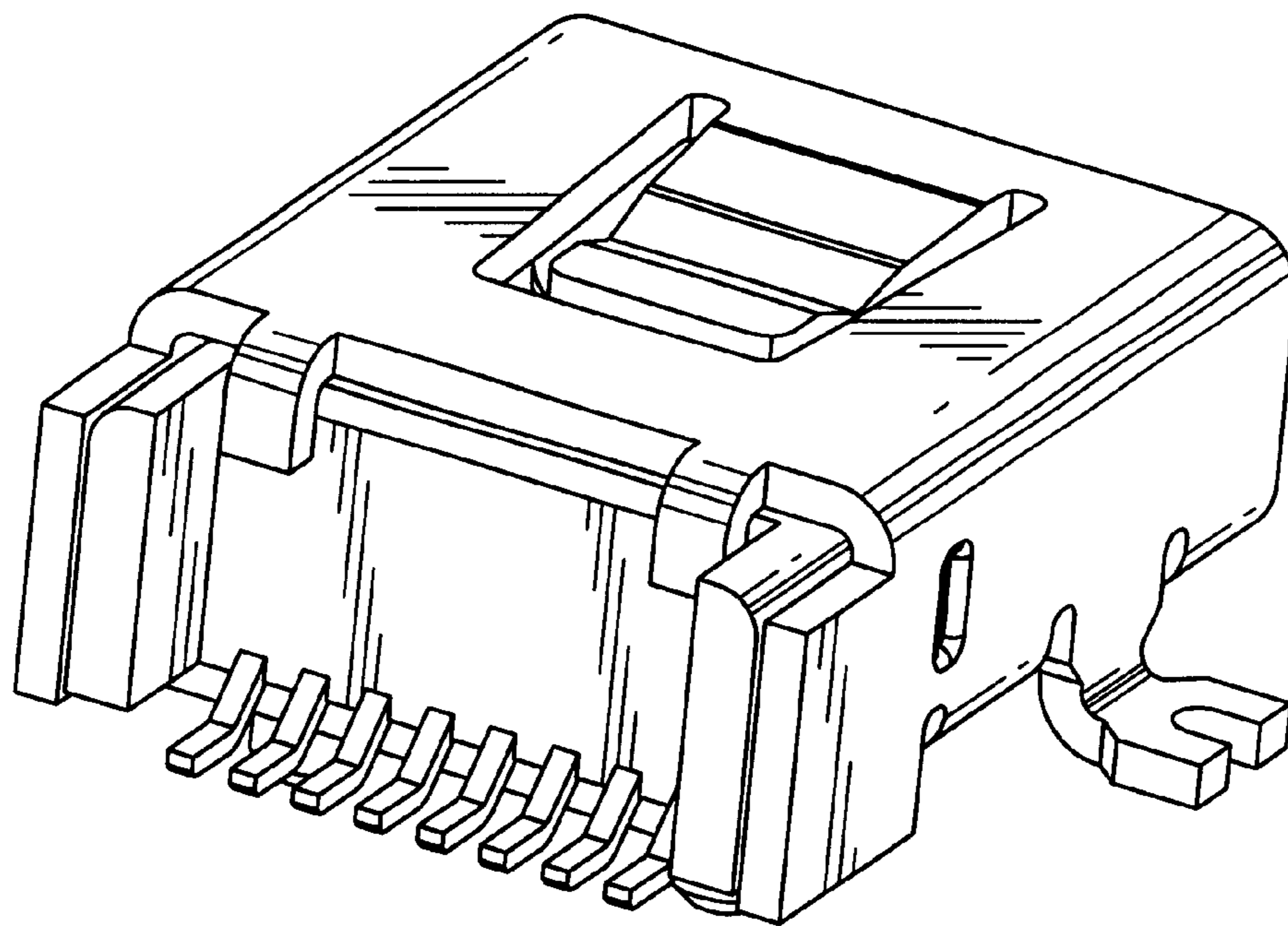


FIG. 1

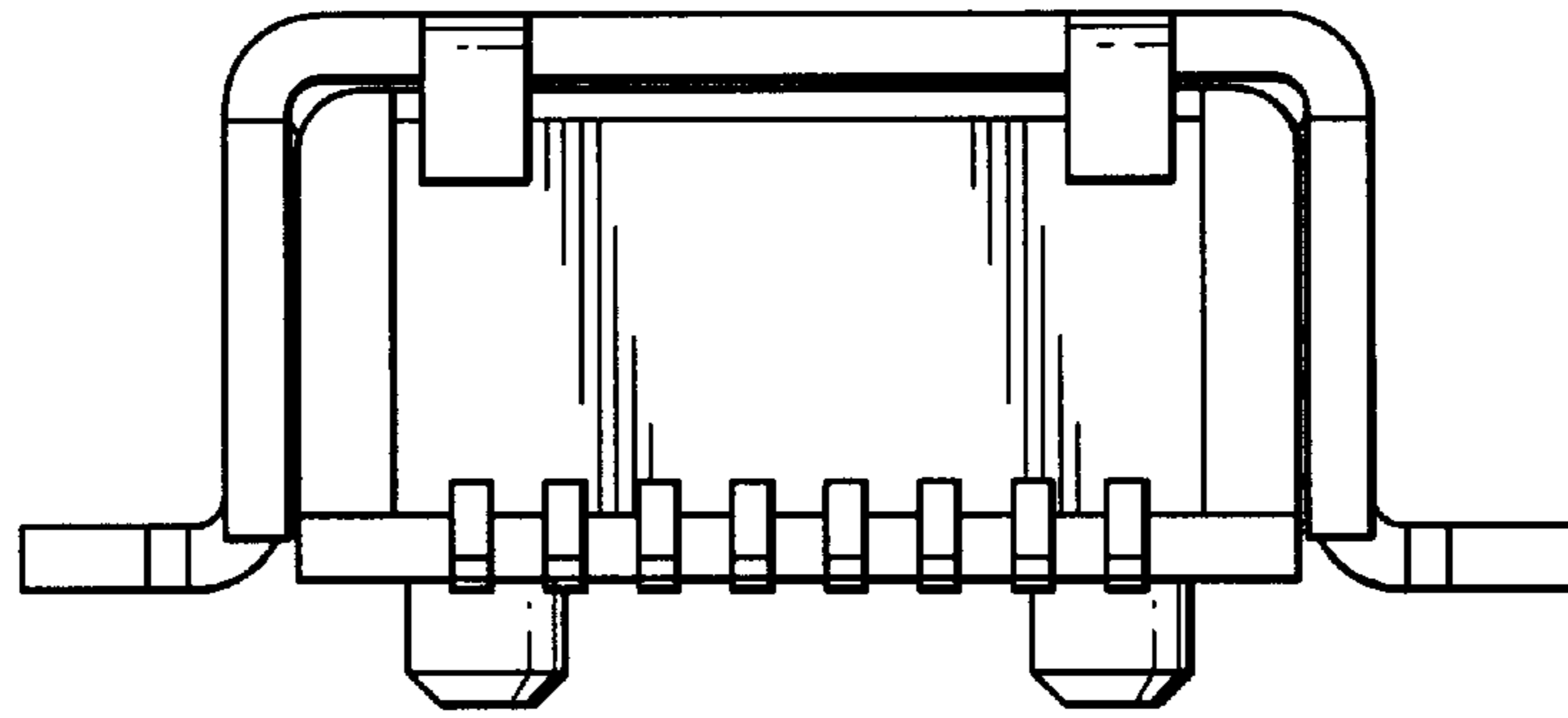


FIG. 2

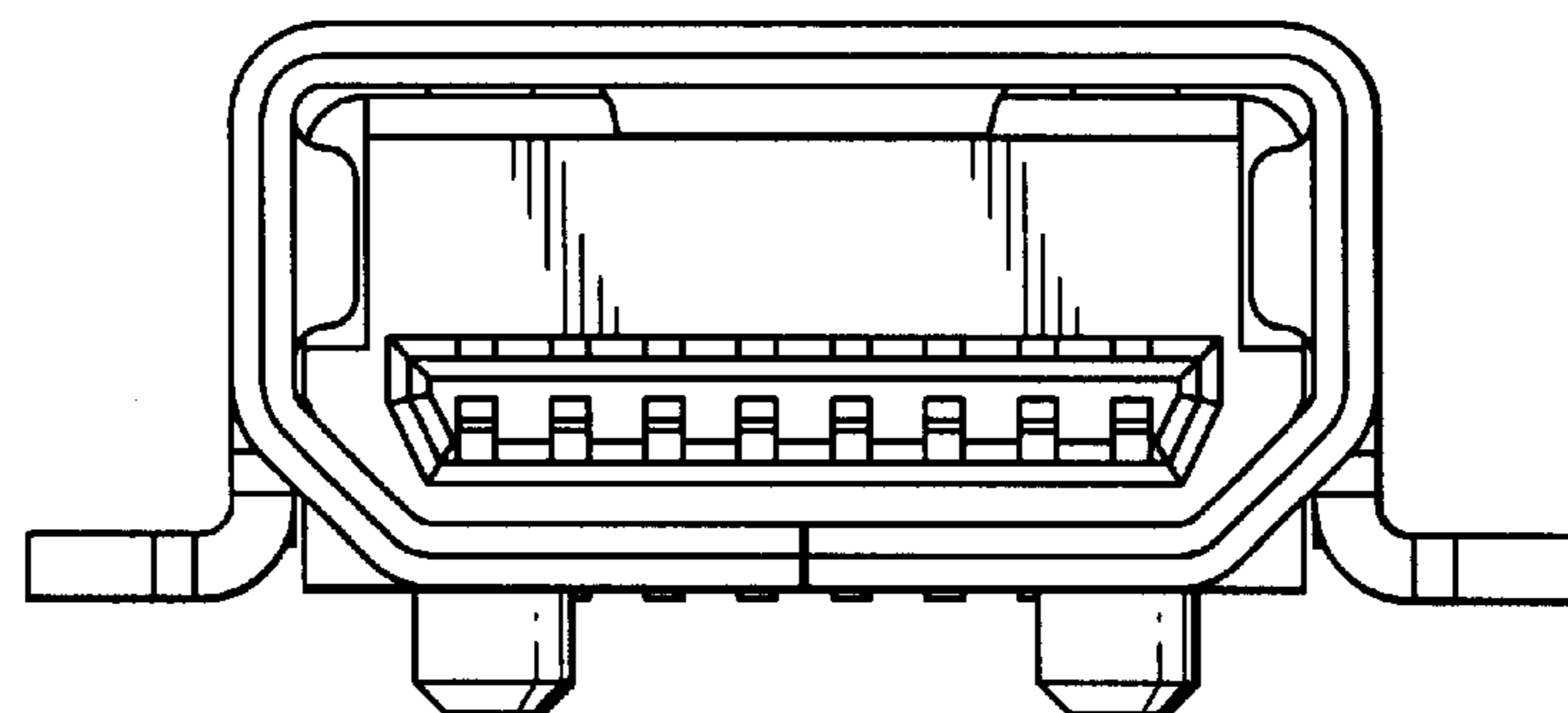


FIG. 3

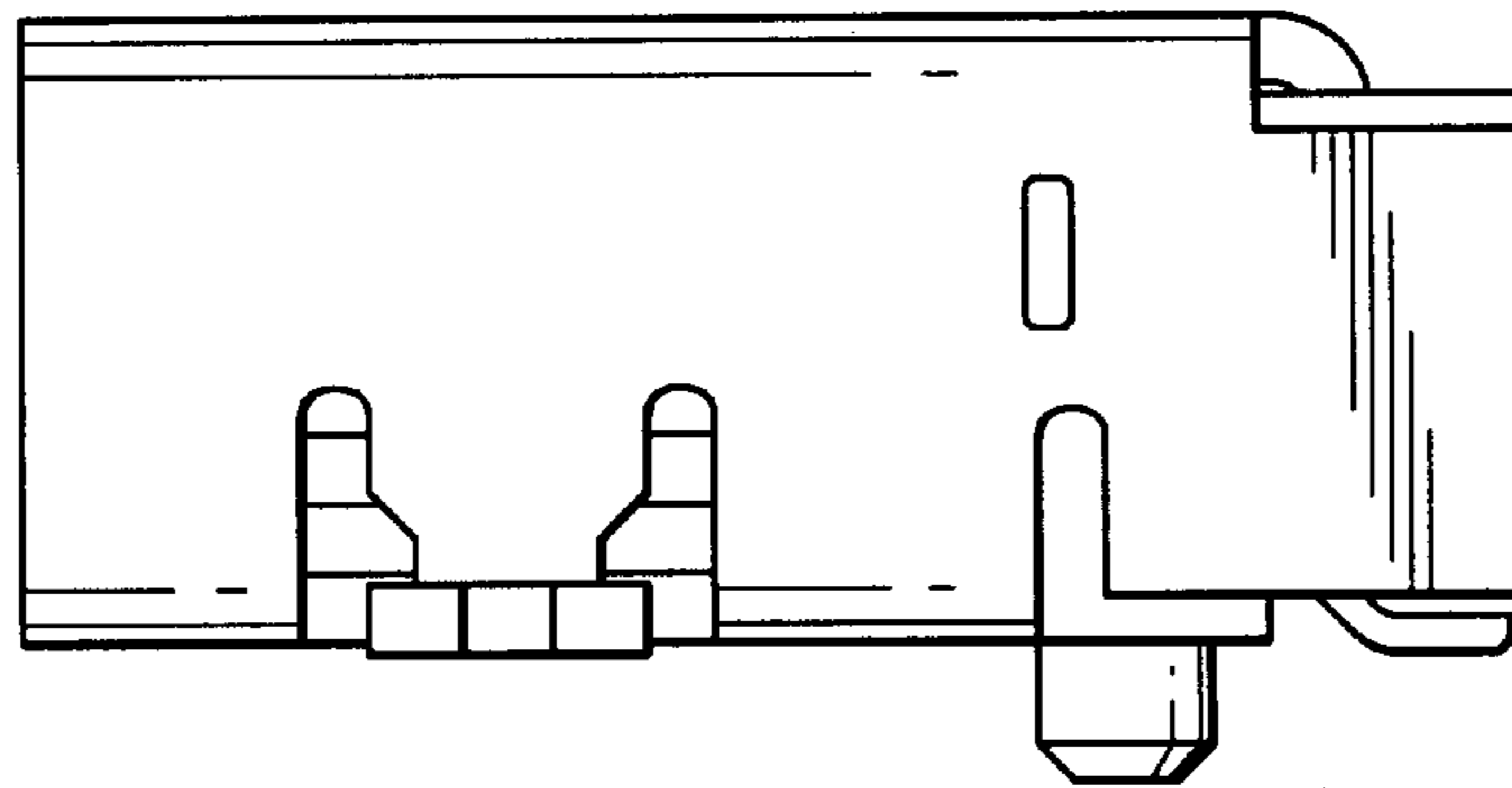


FIG. 4

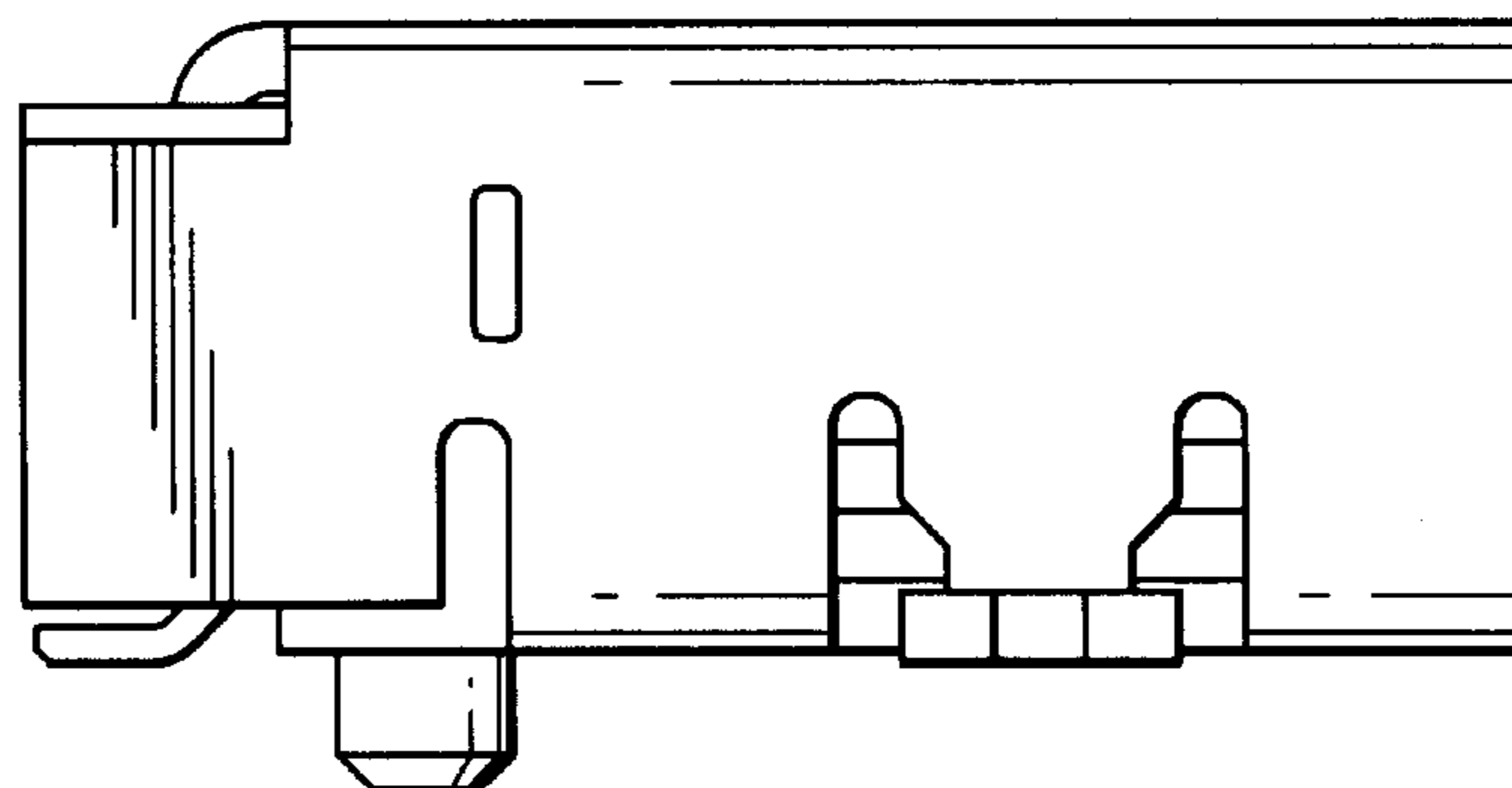


FIG. 5

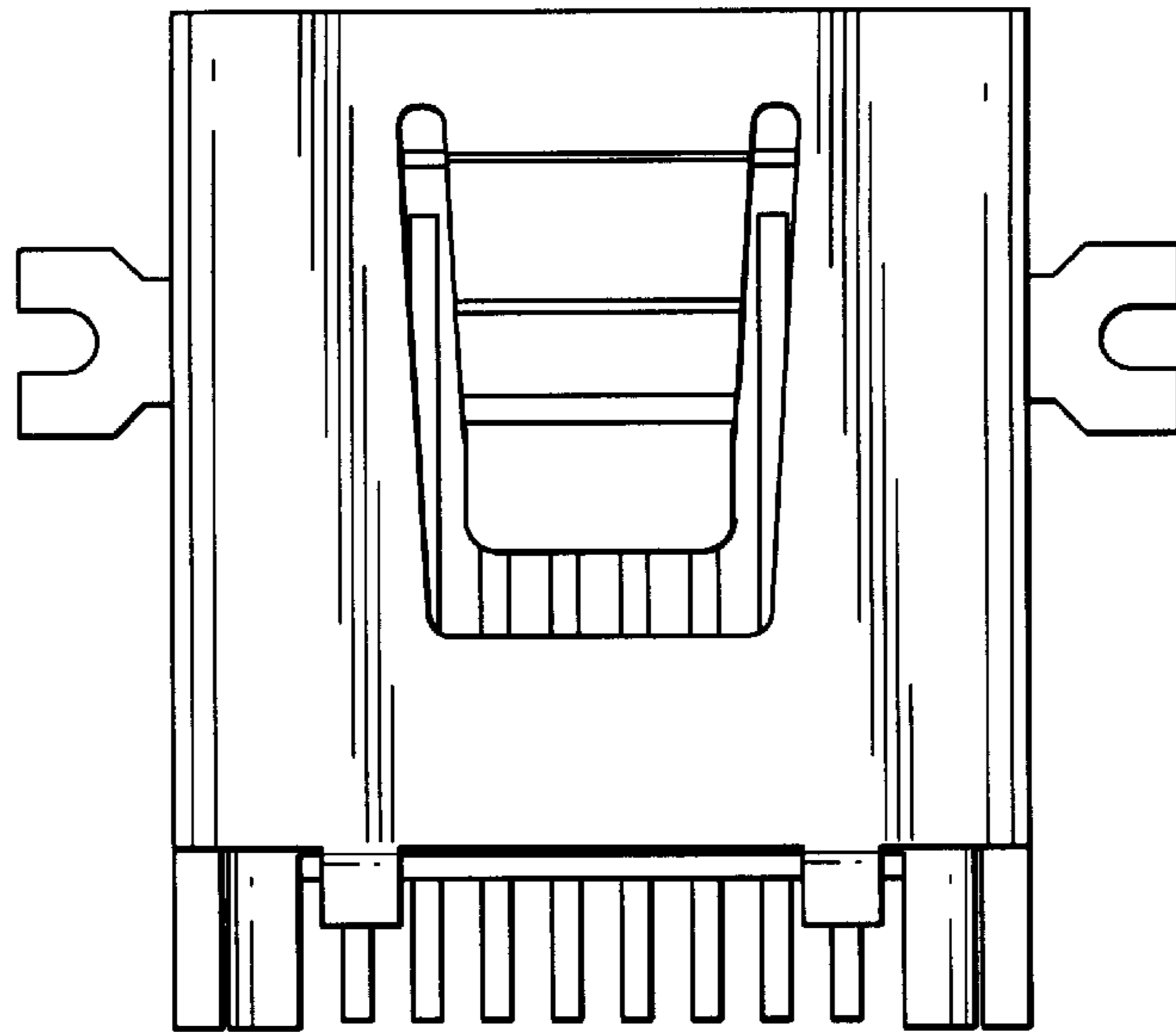


FIG. 6

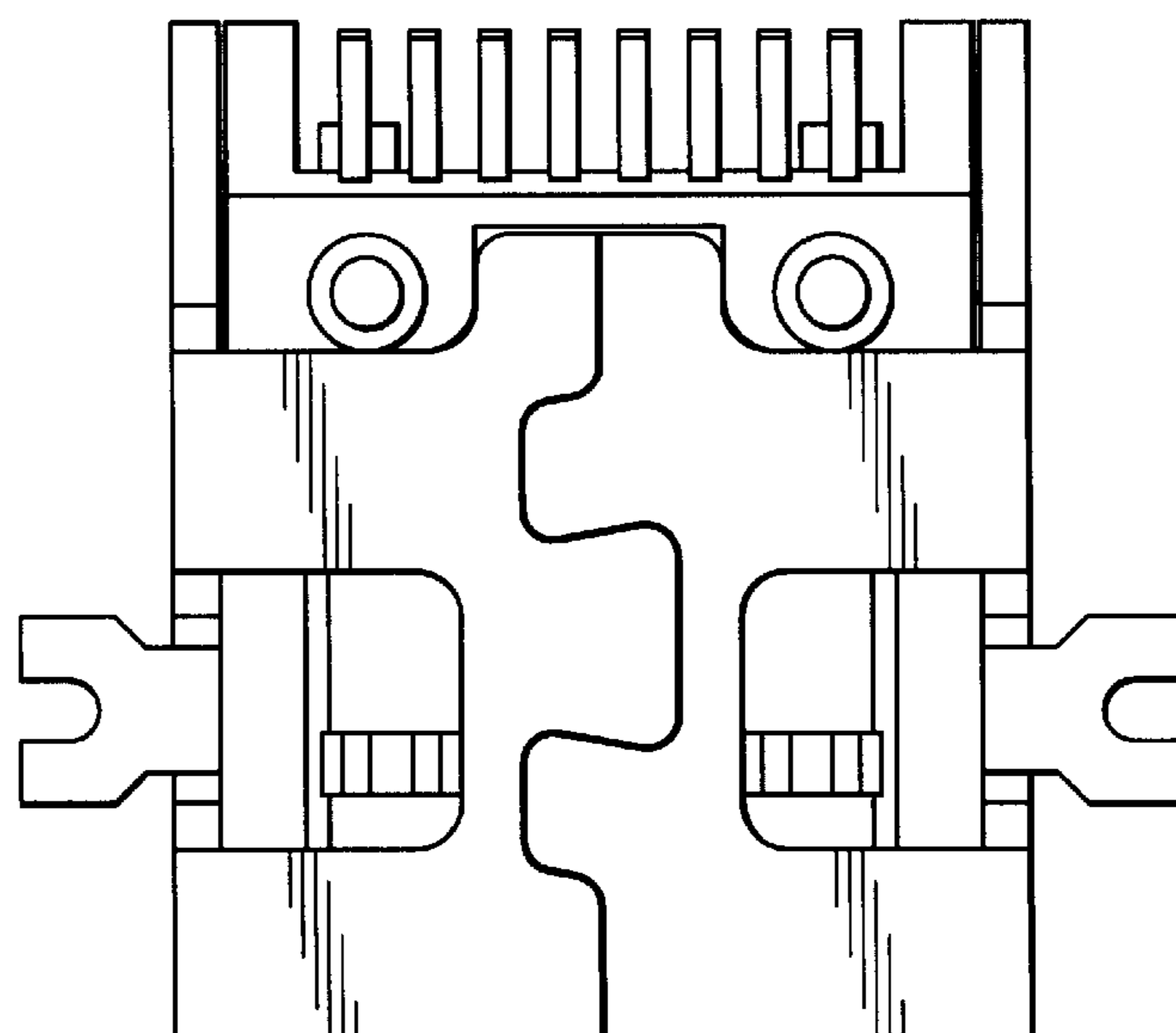


FIG. 7