

US00D509191S

(12) **United States Design Patent**
Hu et al.

(10) **Patent No.: US D509,191 S**
(45) **Date of Patent: ** Sep. 6, 2005**

(54) **MEMORY CARD CONNECTOR**
(75) Inventors: **Jinkui Hu**, Kunsan (CN); **Guohua Zhang**, Kunsan (CN)
(73) Assignee: **Hon Hai Precision Ind. Co., Ltd.**, Taipei Hsien (TW)
(**) Term: **14 Years**

D428,854 S * 8/2000 Nishio et al. D13/154
D469,407 S * 1/2003 Wu D13/147
D483,372 S * 12/2003 Watanabe et al. D14/433
6,773,308 B2 * 8/2004 Lwee 439/630
6,783,384 B2 * 8/2004 Wu 439/377
D498,210 S * 11/2004 Zhang D13/147
2002/0187674 A1 * 12/2002 Hirose 439/495
2003/0054677 A1 * 3/2003 Lee 439/79

* cited by examiner

(21) Appl. No.: **29/206,751**
(22) Filed: **Jun. 2, 2004**

Primary Examiner—Stella Reid
Assistant Examiner—Daniel Bui
(74) *Attorney, Agent, or Firm*—Wei Te Chung

(30) **Foreign Application Priority Data**

Dec. 2, 2003 (CN) 2003-301213489

(57) **CLAIM**

The ornamental design for a memory card connector, as shown.

(51) **LOC (8) Cl.** **13-03**
(52) **U.S. Cl.** **D13/147**
(58) **Field of Search** D13/123, 133,
D13/146, 147, 154, 184, 199; 439/64, 79,
159

DESCRIPTION

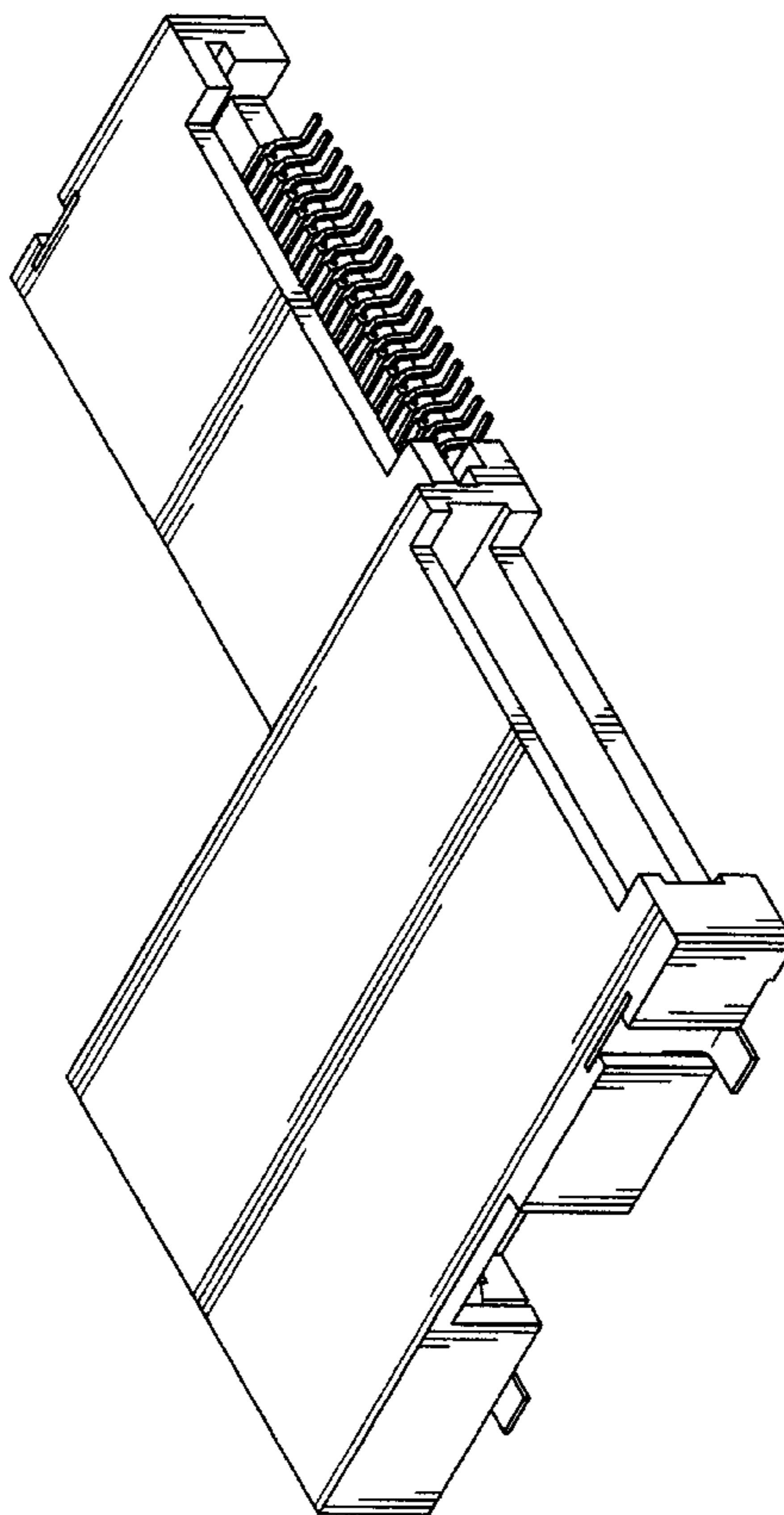
FIG. 1 is a front, top and left side perspective view of a memory card connector showing our new design;
FIG. 2 is a front elevational view thereof;
FIG. 3 is a rear elevational view thereof;
FIG. 4 is a left side elevational view thereof;
FIG. 5 is a right side elevational view thereof;
FIG. 6 is a top plan view thereof; and,
FIG. 7 is a bottom plan view thereof.

(56) **References Cited**

U.S. PATENT DOCUMENTS

D236,349 S * 8/1975 Ahmed D13/147
D320,003 S * 9/1991 Komatsu D13/147
D322,604 S * 12/1991 Komatsu D13/147
D380,735 S * 7/1997 Mitani et al. D13/147
D425,486 S * 5/2000 Nishio et al. D13/147

1 Claim, 7 Drawing Sheets



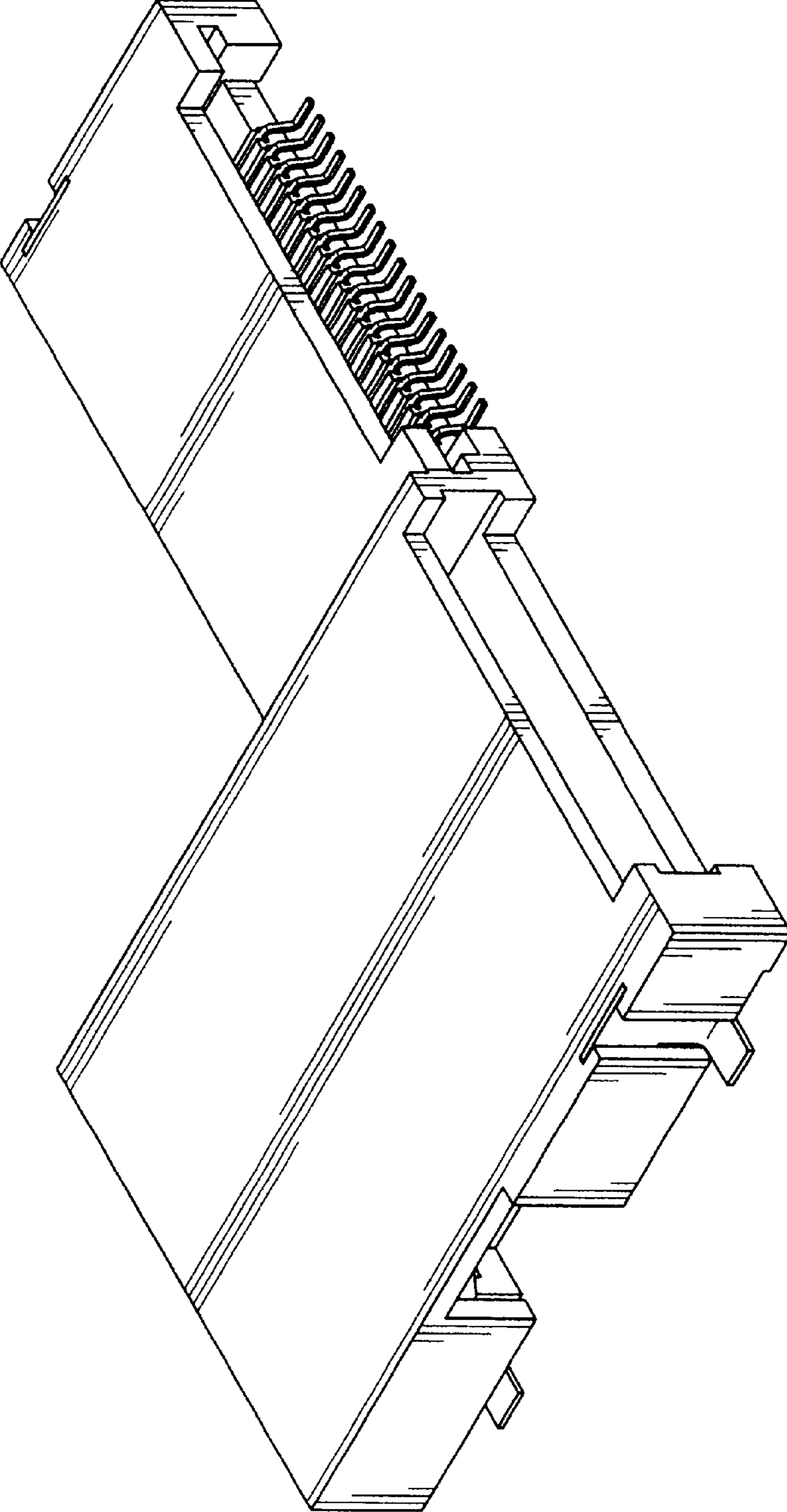


FIG. 1

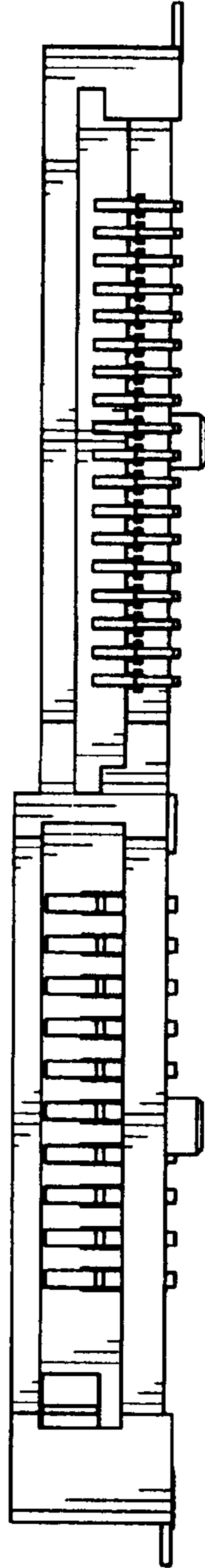


FIG. 2

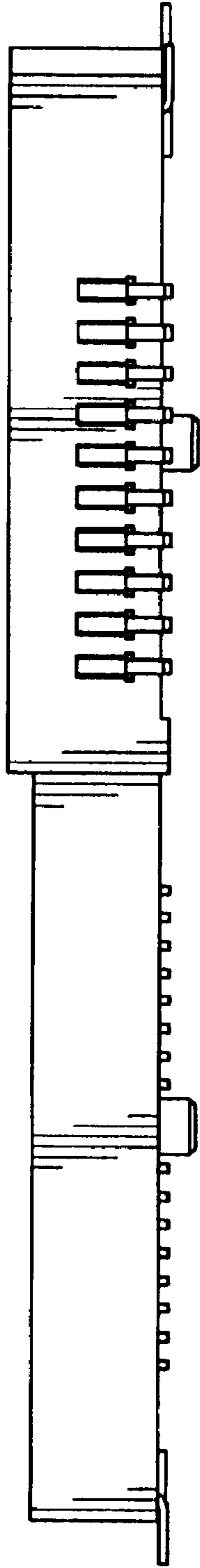


FIG. 3

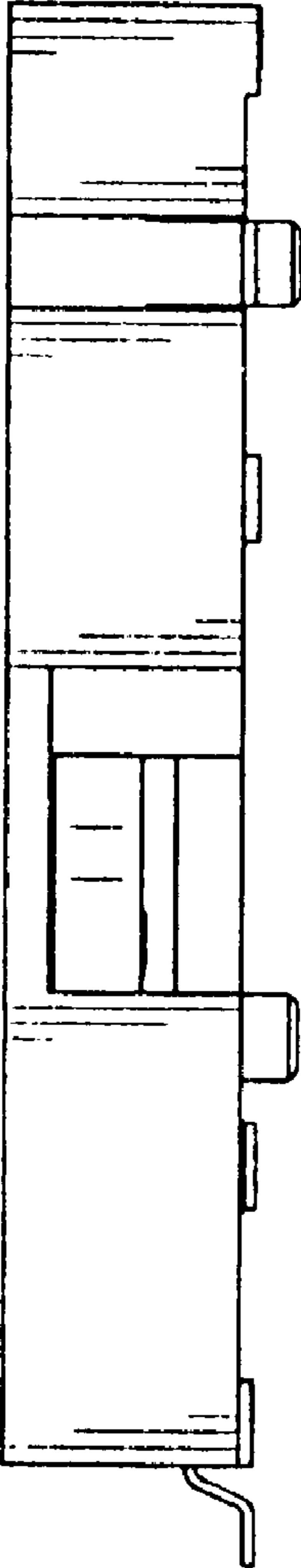


FIG. 4

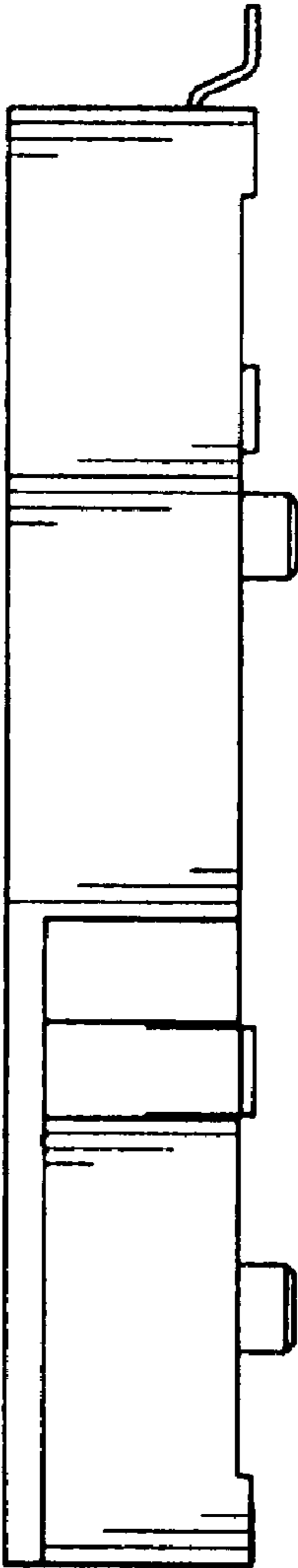


FIG. 5

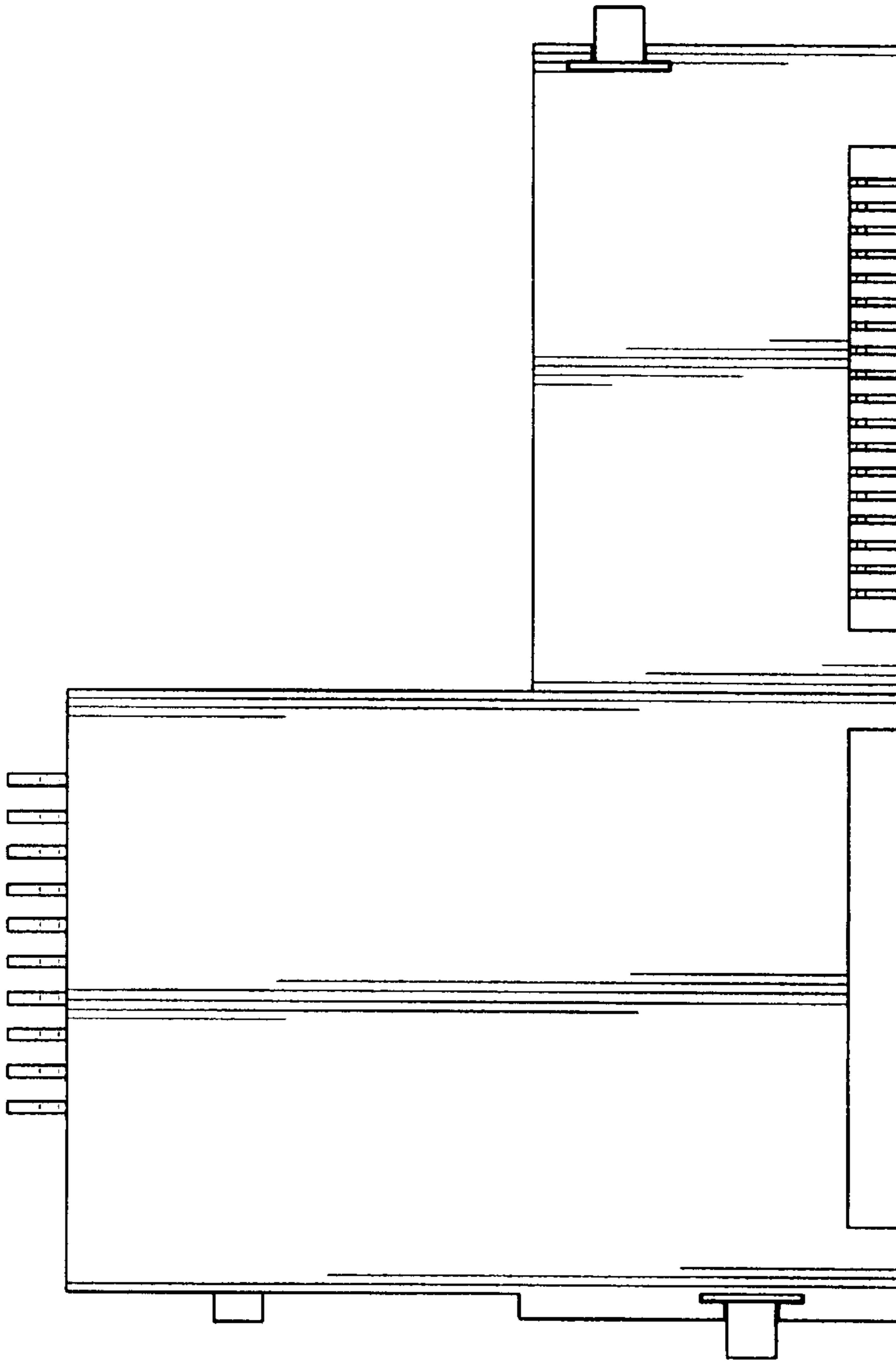


FIG. 6

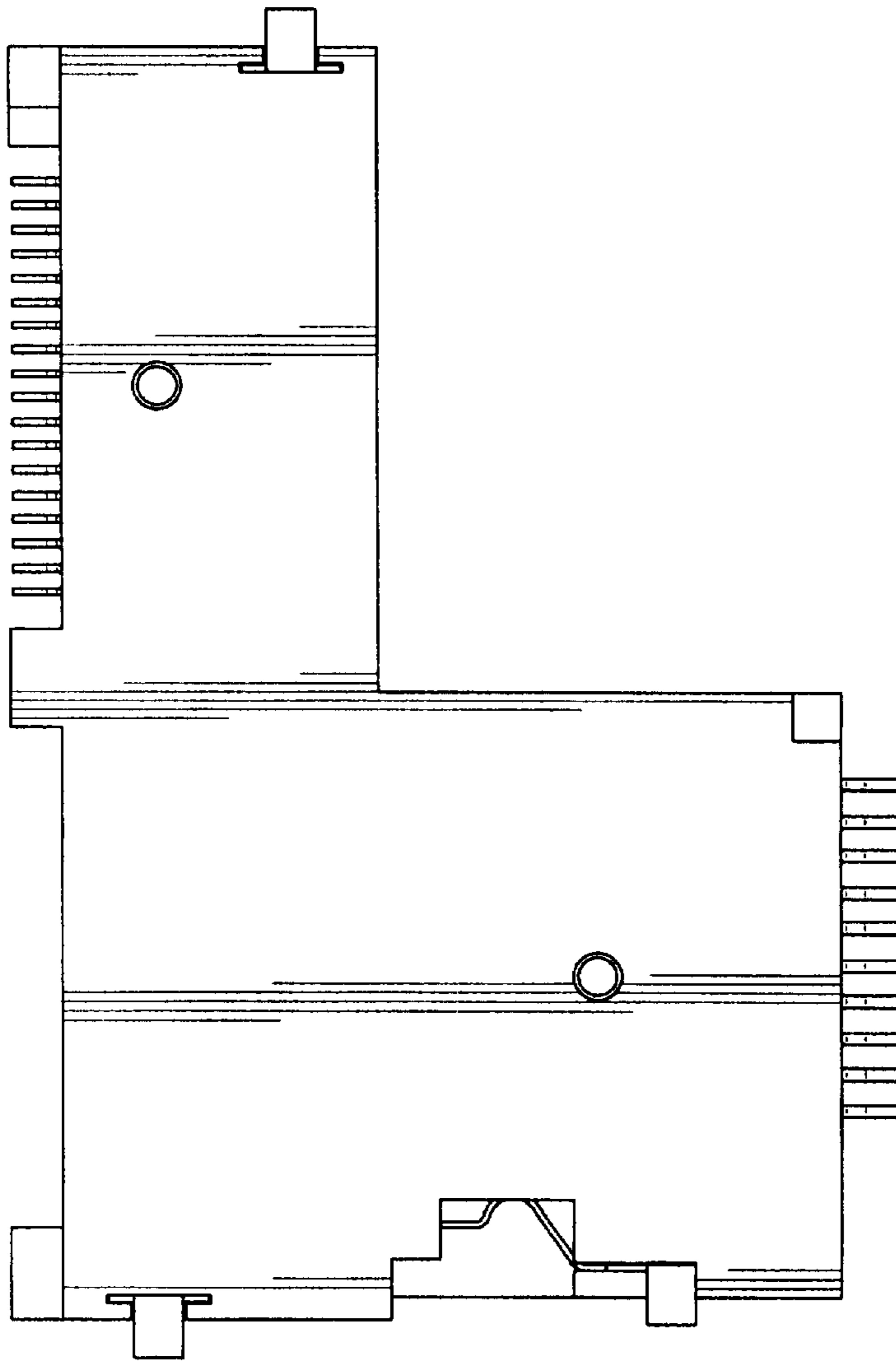


FIG. 7