



US00D509190S

(12) **United States Design Patent** (10) **Patent No.:** **US D509,190 S**
Tsai (45) **Date of Patent:** **** Sep. 6, 2005**

(54) **HDMI CONNECTOR**
(75) Inventor: **Wen-Hsien Tsai**, Taipei Hsien (TW)
(73) Assignee: **Advanced Connectek, Inc**, Taipei (TW)
(**) Term: **14 Years**

(21) Appl. No.: **29/198,210**
(22) Filed: **Jan. 28, 2004**
(51) **LOC (8) Cl.** **13-03**
(52) **U.S. Cl.** **D13/147**
(58) **Field of Search** D13/147; 439/79, 439/108, 607-610

(56) **References Cited**
U.S. PATENT DOCUMENTS
6,238,241 B1 * 5/2001 Zhu et al. 439/541.5
D450,302 S * 11/2001 Shimojyo D13/147
D451,477 S * 12/2001 Shimojyo D13/147
D452,480 S * 12/2001 Shimojyo D13/147
D452,481 S * 12/2001 Shimojyo D13/147
D452,847 S * 1/2002 Shimojyo D13/147
D452,848 S * 1/2002 Shimojyo D13/147
6,659,799 B2 * 12/2003 Yang 439/607

* cited by examiner

Primary Examiner—Stella Reid
Assistant Examiner—Selina Sikder
(74) *Attorney, Agent, or Firm*—Johnson, Lin & Associates, P.C.; Chauncey B. Johnson, Esq.

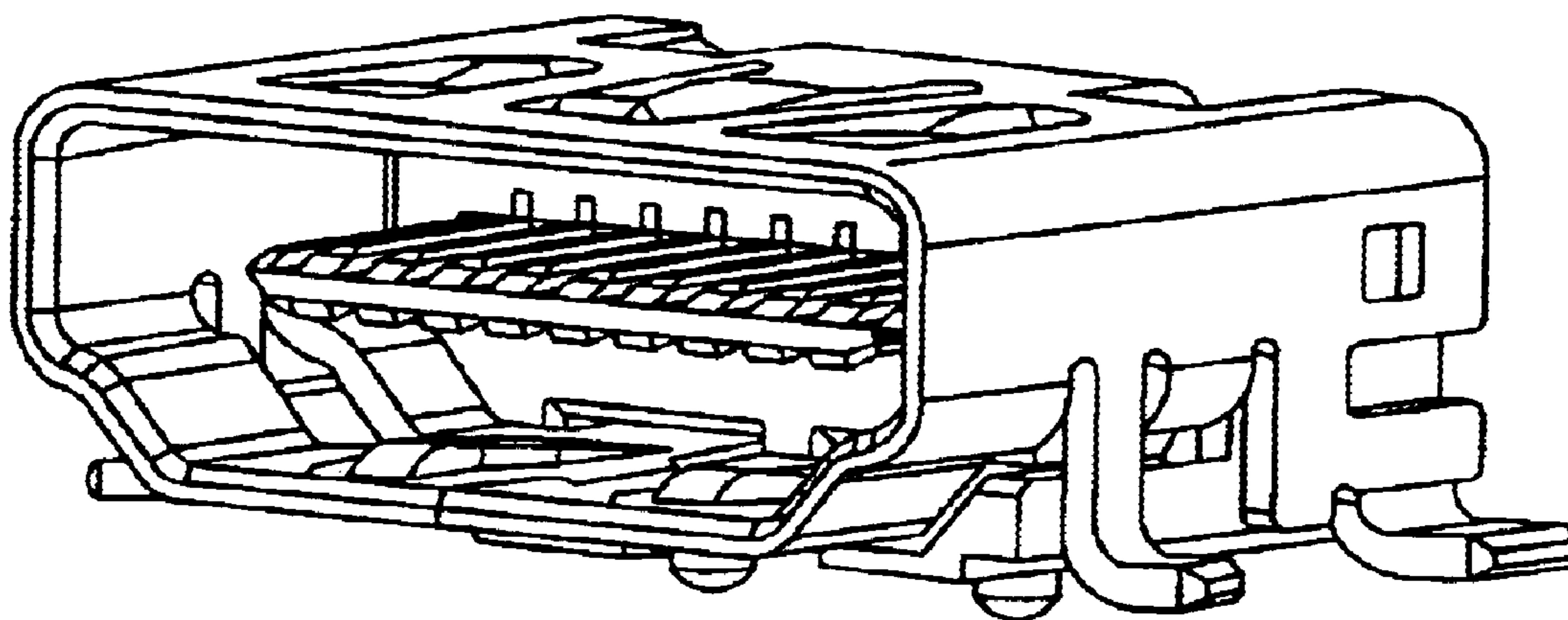
(57) **CLAIM**

I claim the ornamental design for a HDMI connector, as shown and described.

DESCRIPTION

FIG. 1 is a front and a lower right perspective view of a HDMI connector showing our new design;
FIG. 2 is a top view of the HDMI connector shown in FIG. 1;
FIG. 3 is a bottom view of the HDMI connector shown in FIG. 1;
FIG. 4 is a front view of the HDMI connector shown in FIG. 1;
FIG. 5 is a rear view of the HDMI connector shown in FIG. 1;
FIG. 6 is a left side view of the HDMI connector shown in FIG. 1; and,
FIG. 7 is a right side view of the HDMI connector shown in FIG. 1.

1 Claim, 4 Drawing Sheets



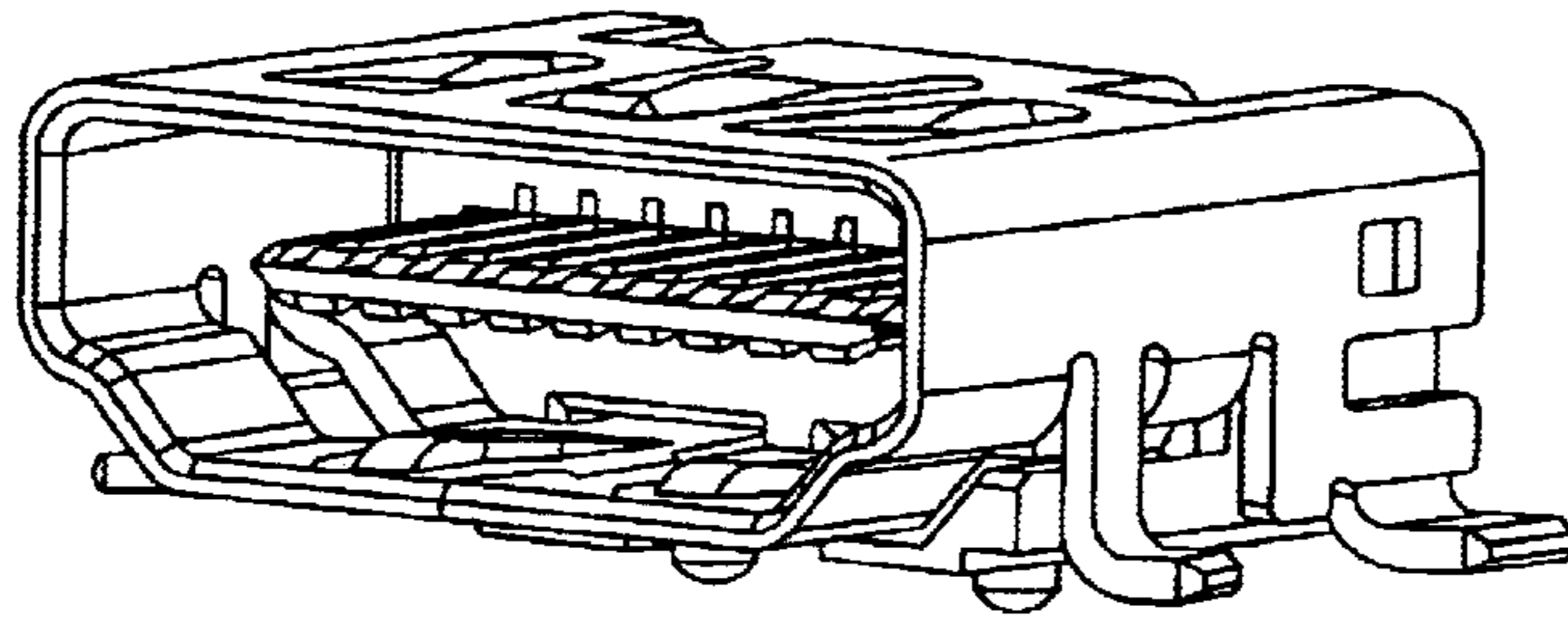


FIG.1

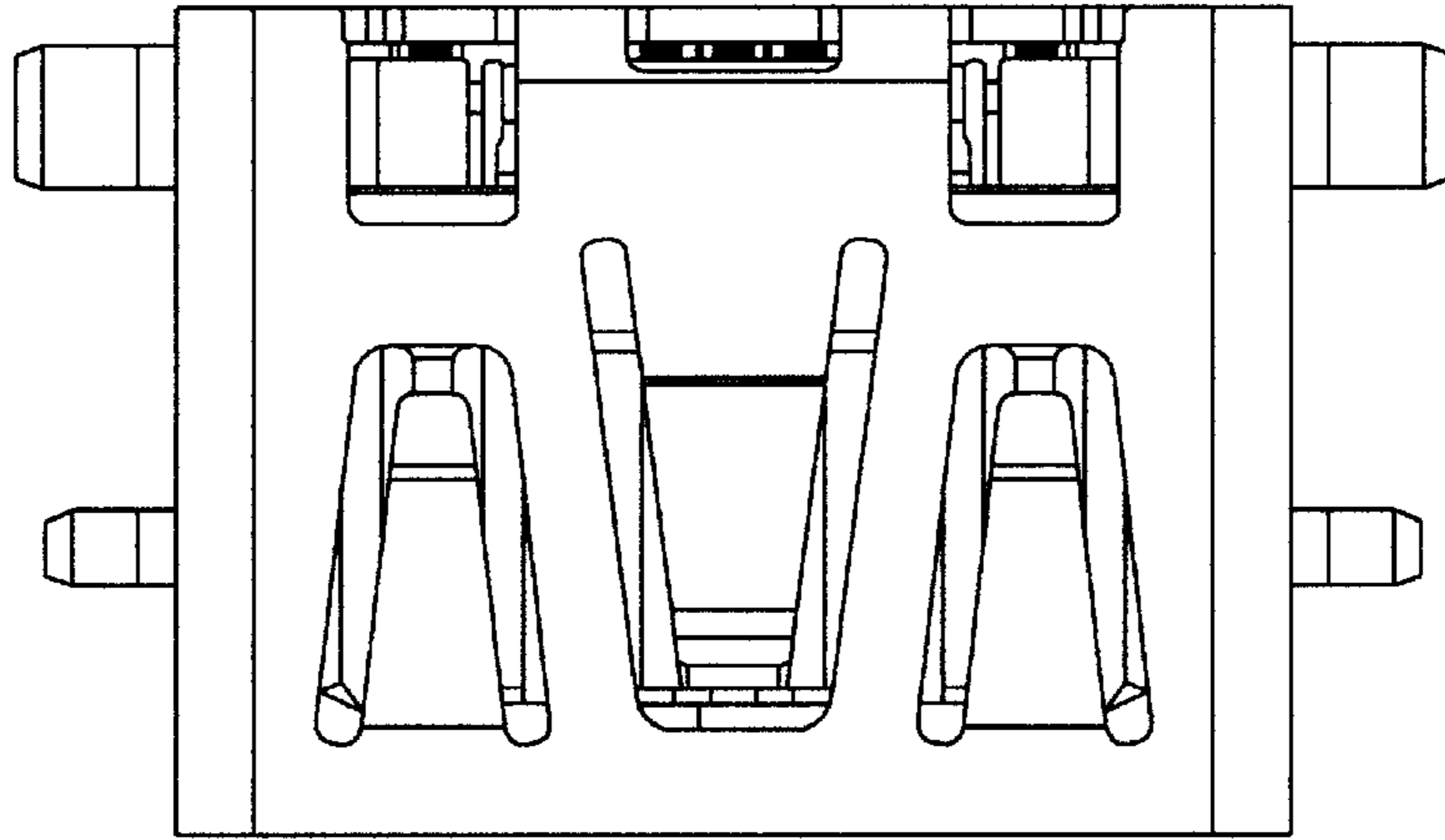


FIG. 2

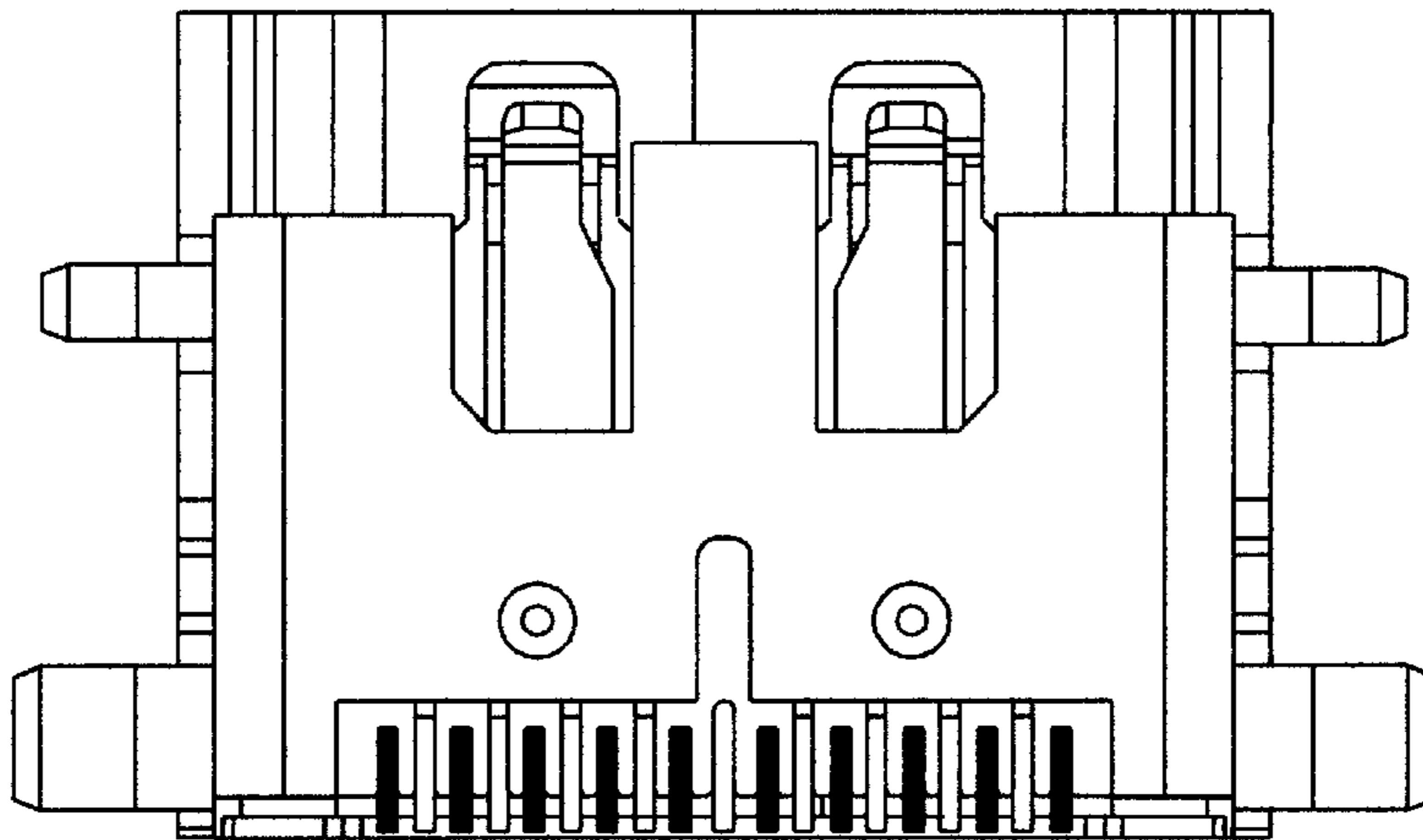


FIG. 3

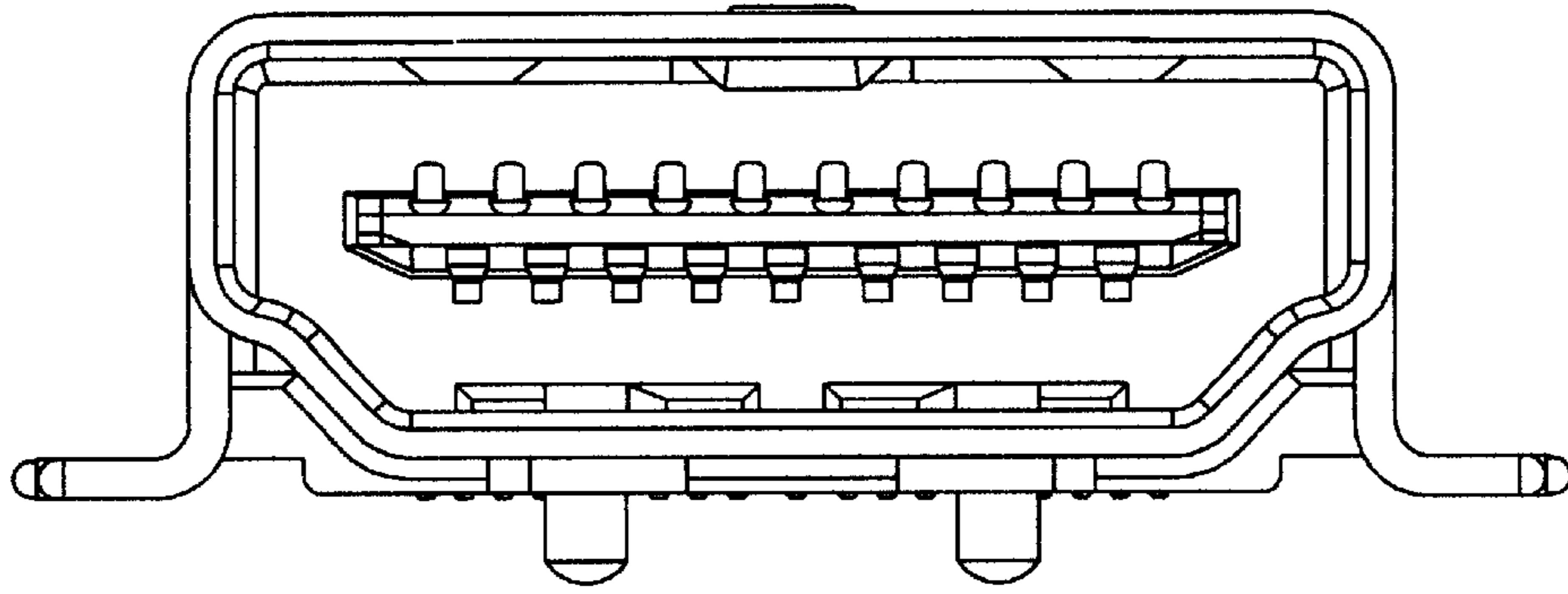


FIG. 4

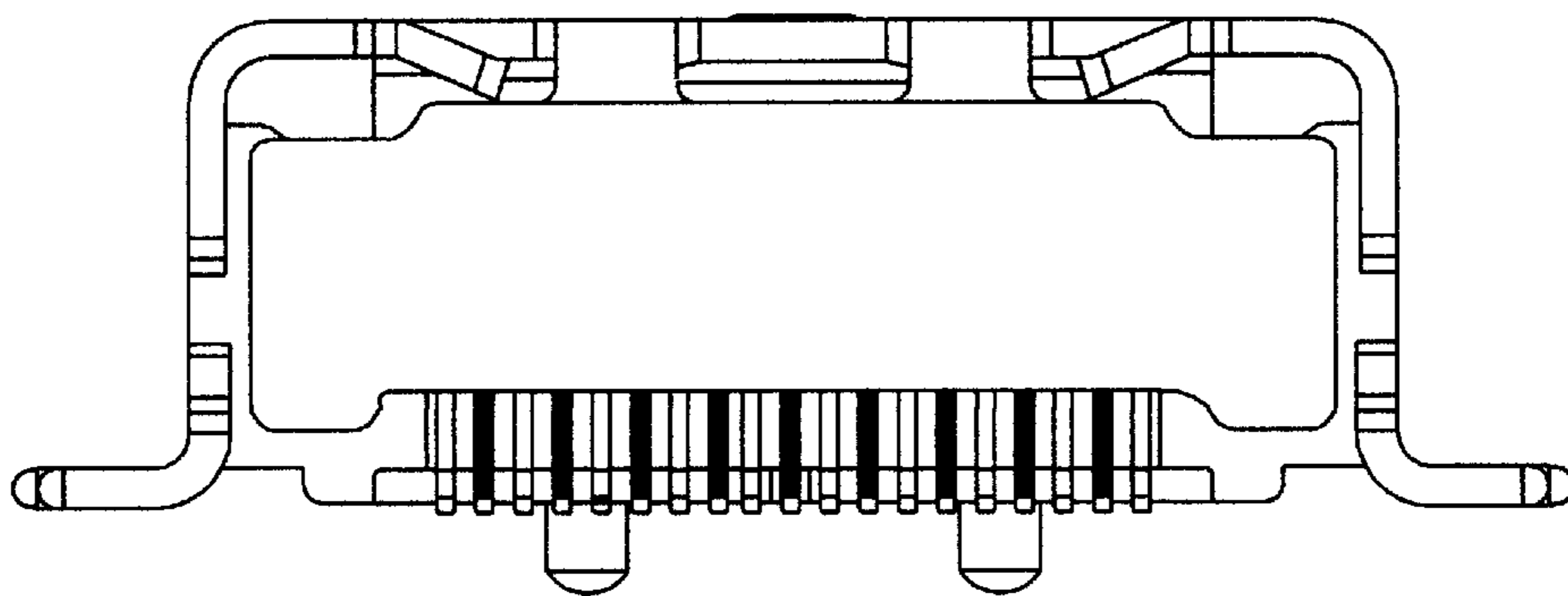


FIG. 5

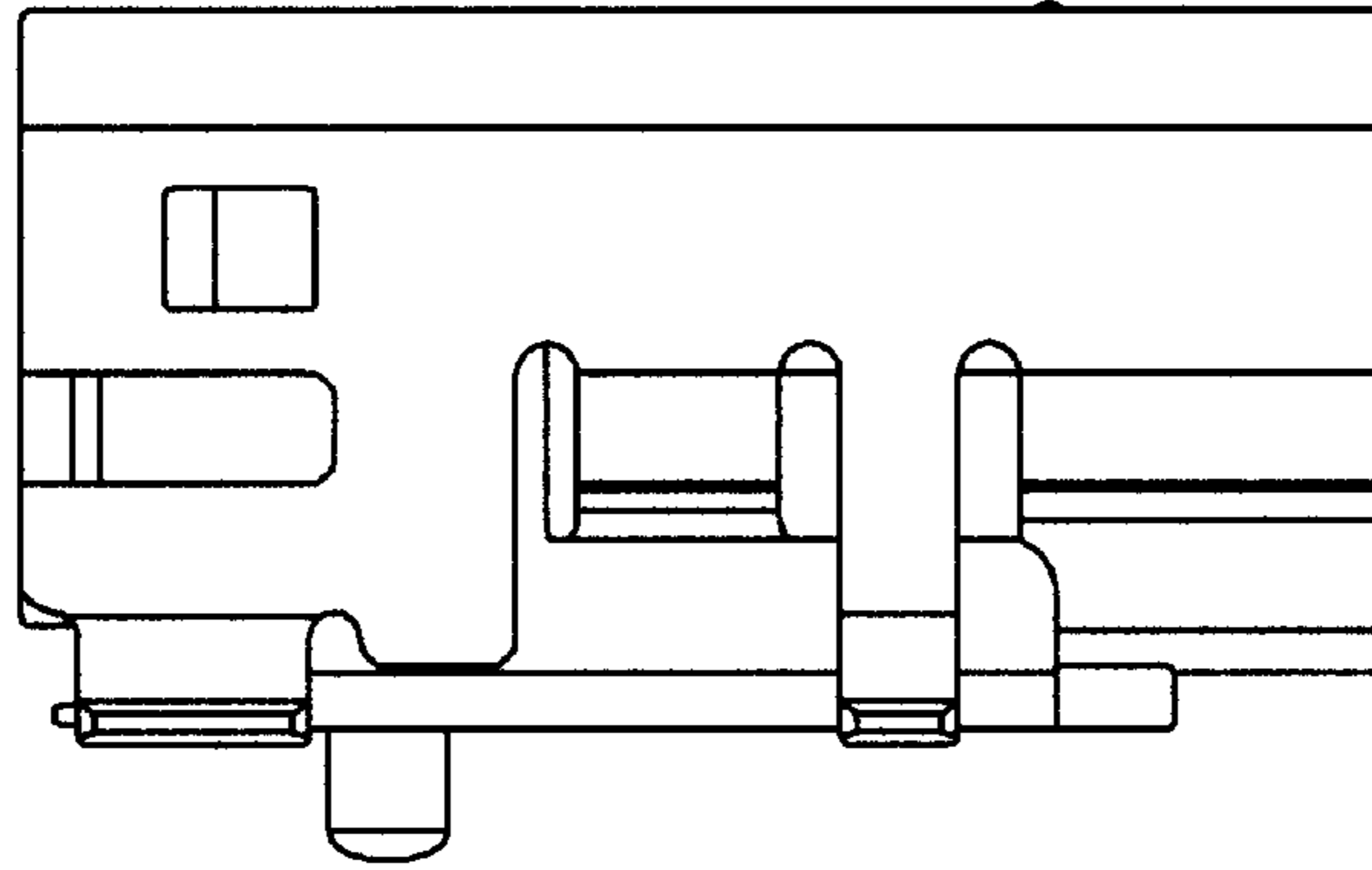


FIG. 6

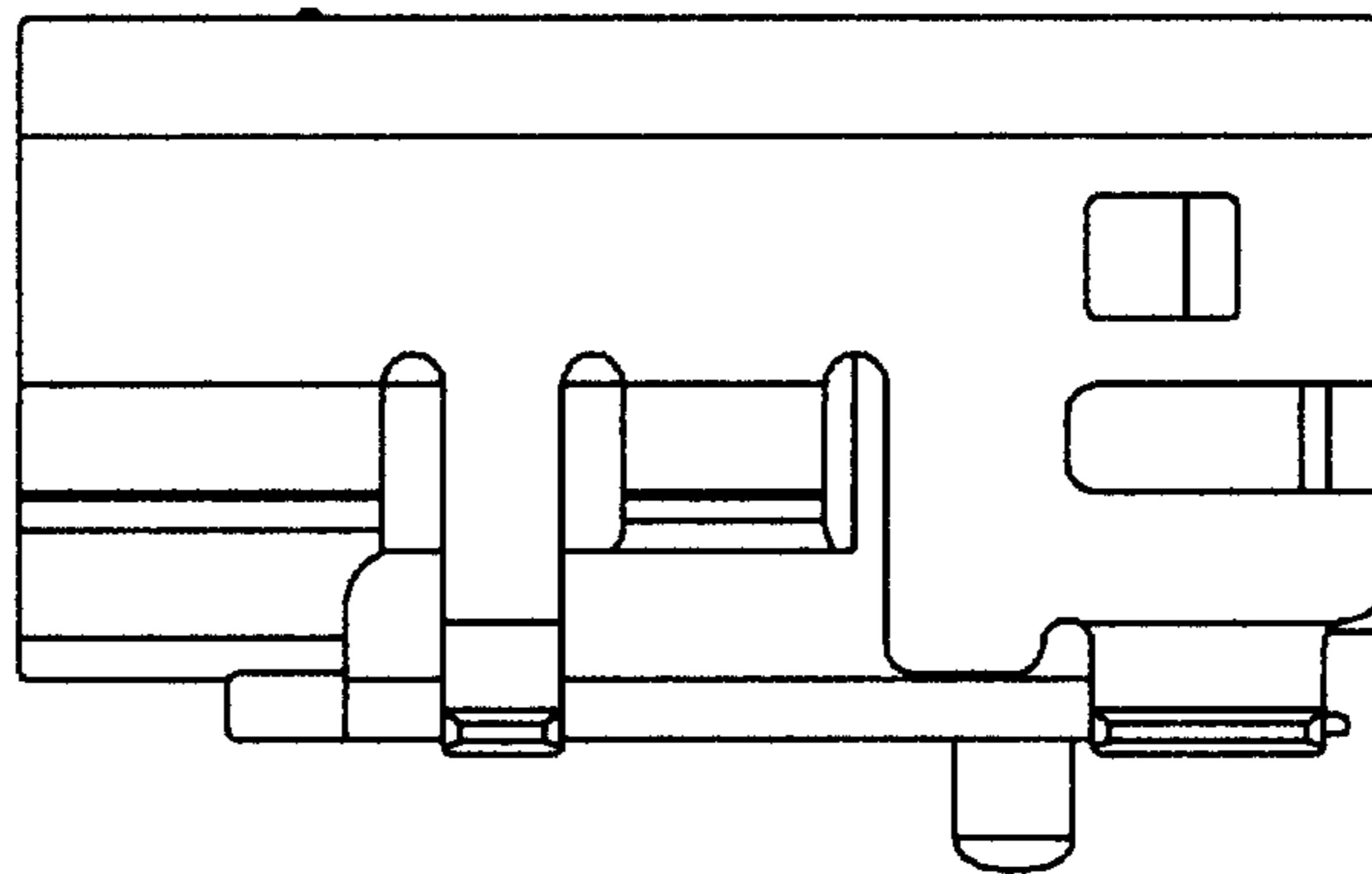


FIG. 7