

US00D509189S

(12) **United States Design Patent**  
**Buck**

(10) **Patent No.: US D509,189 S**

(45) **Date of Patent: \*\* Sep. 6, 2005**

(54) **BATTERY PACK TERMINAL AND HOUSING**

(75) **Inventor: John E. Buck, Cockeysville, MD (US)**

(73) **Assignee: Black & Decker Inc., Newark, DE (US)**

(\*\*) **Term: 14 Years**

(21) **Appl. No.: 29/172,412**

(22) **Filed: Dec. 11, 2002**

**Related U.S. Application Data**

(63) Continuation of application No. 29/162,019, filed on Jun. 7, 2002, which is a continuation of application No. 29/089,518, filed on Jun. 17, 1998, now Pat. No. Des. 463,774.

(51) **LOC (8) Cl. .... 13-02**

(52) **U.S. Cl. .... D13/120**

(58) **Field of Search .... D13/103, 120;**  
429/121; 439/600

(56) **References Cited**

**U.S. PATENT DOCUMENTS**

- 5,221,210 A \* 6/1993 Bormuth et al. .... 439/79
- 5,674,078 A \* 10/1997 Davis et al. .... 439/79
- D415,100 S \* 10/1999 Buck ..... D13/103
- 5,977,746 A \* 11/1999 Hershberger et al. .... 320/112

- 6,057,608 A \* 5/2000 Bailey, Jr. et al. .... 307/43
- D436,917 S \* 1/2001 Hayakawa et al. .... D13/103
- D447,122 S \* 8/2001 Harasawa et al. .... D13/147
- D456,002 S \* 4/2002 Kato et al. .... D13/103
- D463,774 S \* 10/2002 Buck ..... D13/120
- 2001/0021609 A1 \* 9/2001 Chaing ..... 439/682
- 2001/0034163 A1 \* 10/2001 Chiang ..... 439/660

\* cited by examiner

*Primary Examiner*—Alan P. Douglas

*Assistant Examiner*—Rosemary Tarcza

(74) *Attorney, Agent, or Firm*—Adan Ayala

(57) **CLAIM**

The ornamental design for a battery pack terminal and housing, as shown and described.

**DESCRIPTION**

FIG. 1 is a front perspective view of a battery pack terminal and housing showing my new design.

FIG. 2 is a front elevational view thereof.

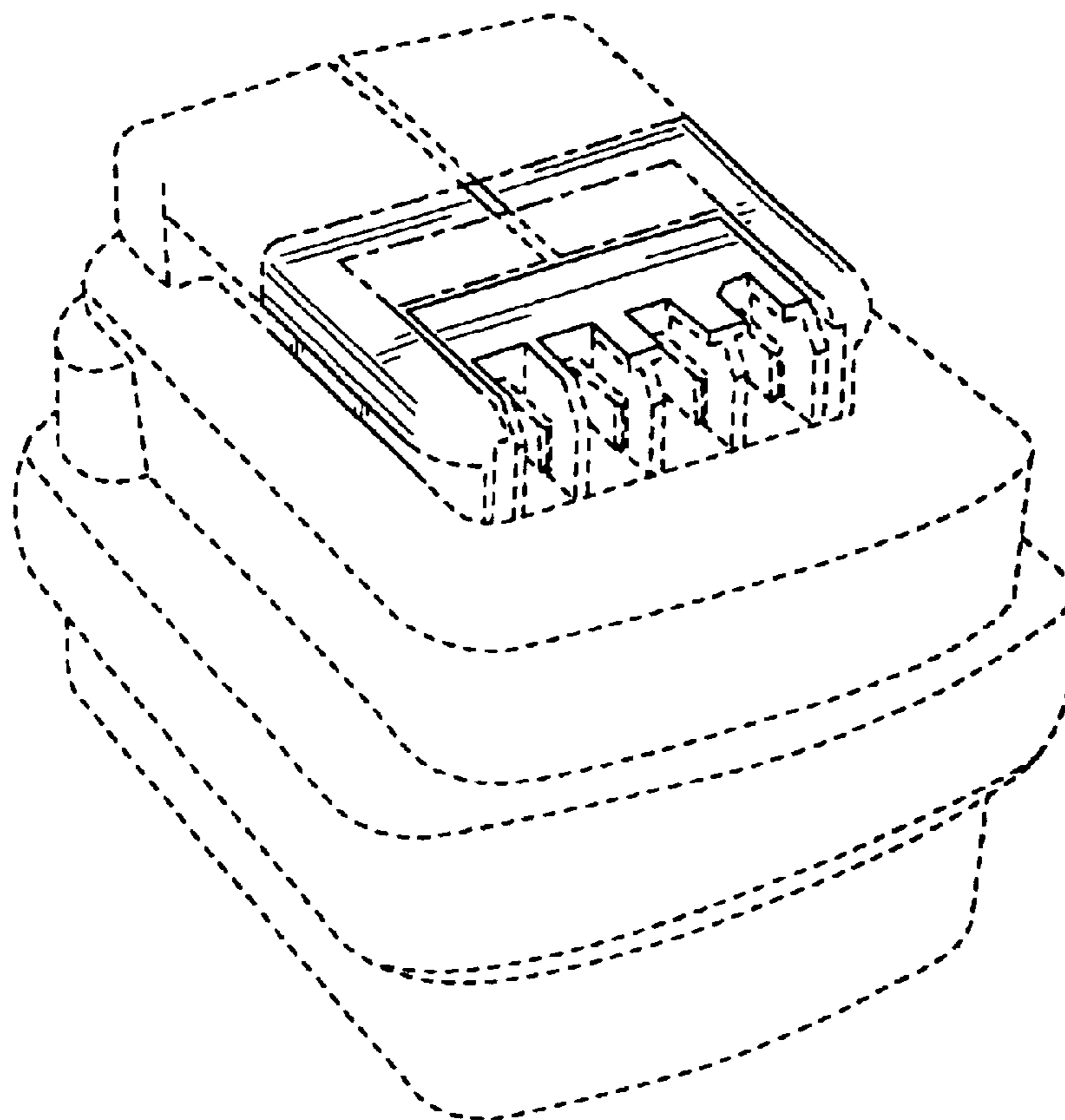
FIG. 3 is a top plan view thereof.

FIG. 4 is a right side view thereof; and,

FIG. 5 is a left side elevational view thereof.

The broken line showing is for illustrative purposes only and forms no part of the claimed design.

**1 Claim, 4 Drawing Sheets**



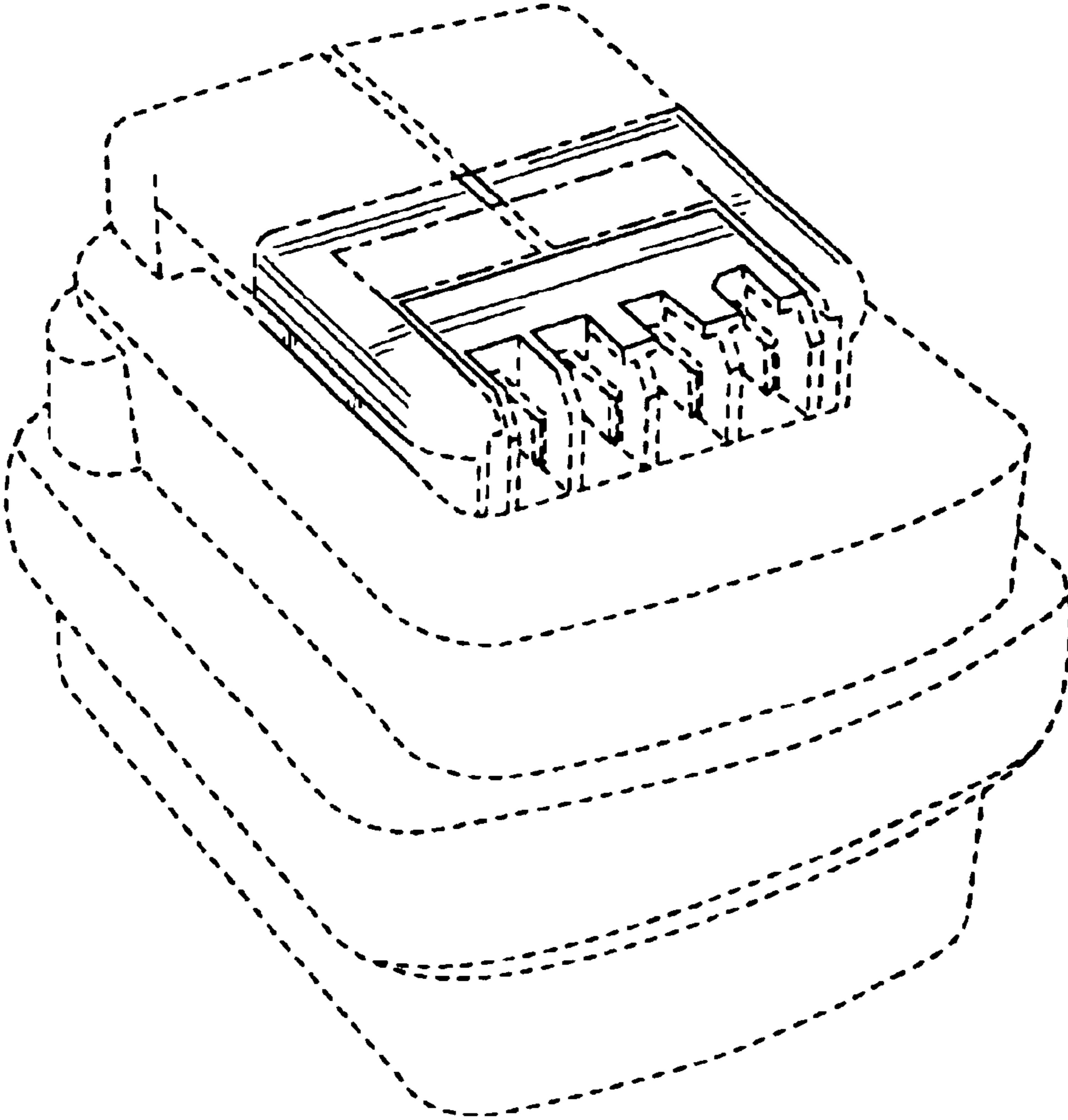


FIG. 1

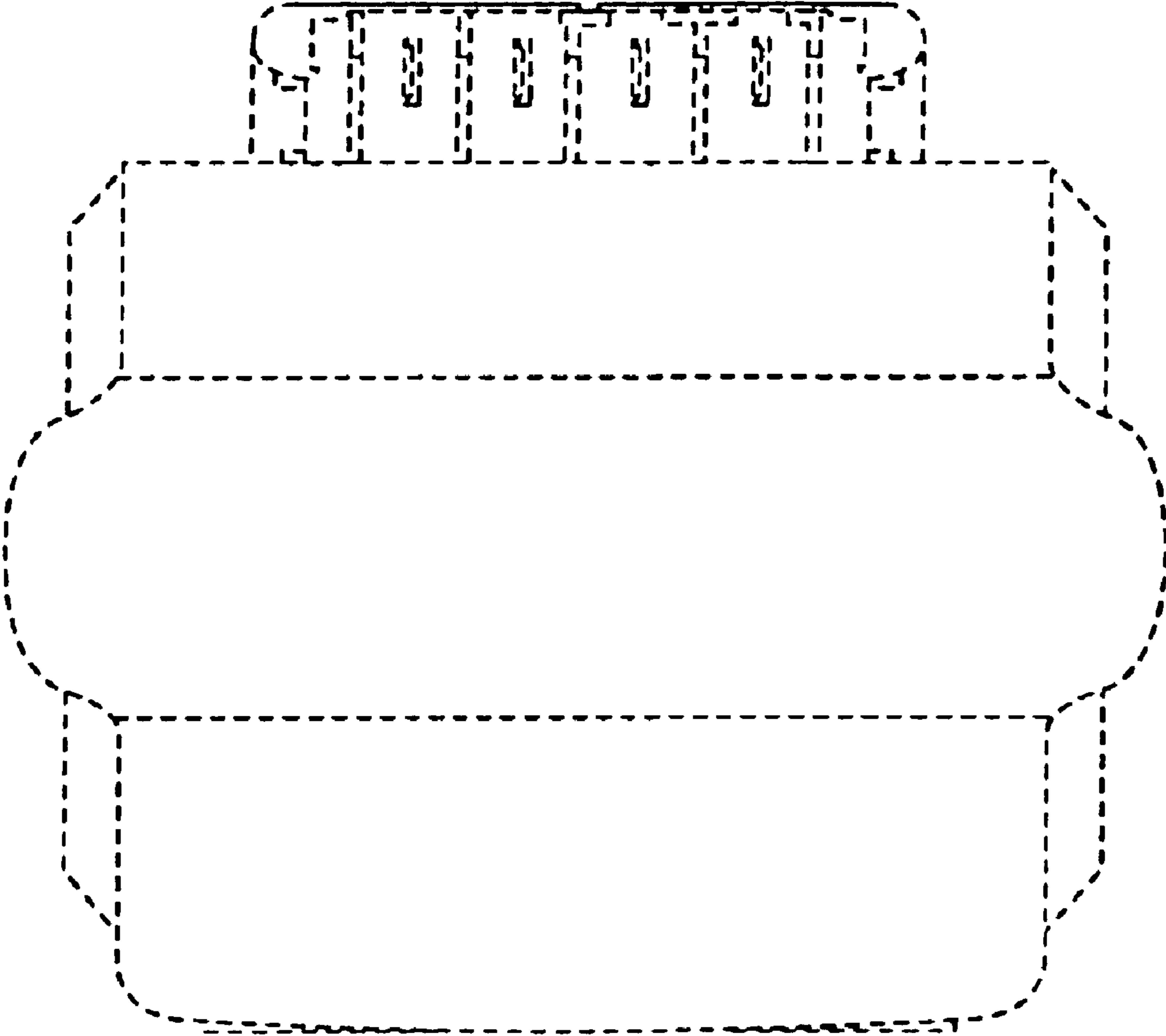


FIG. 2

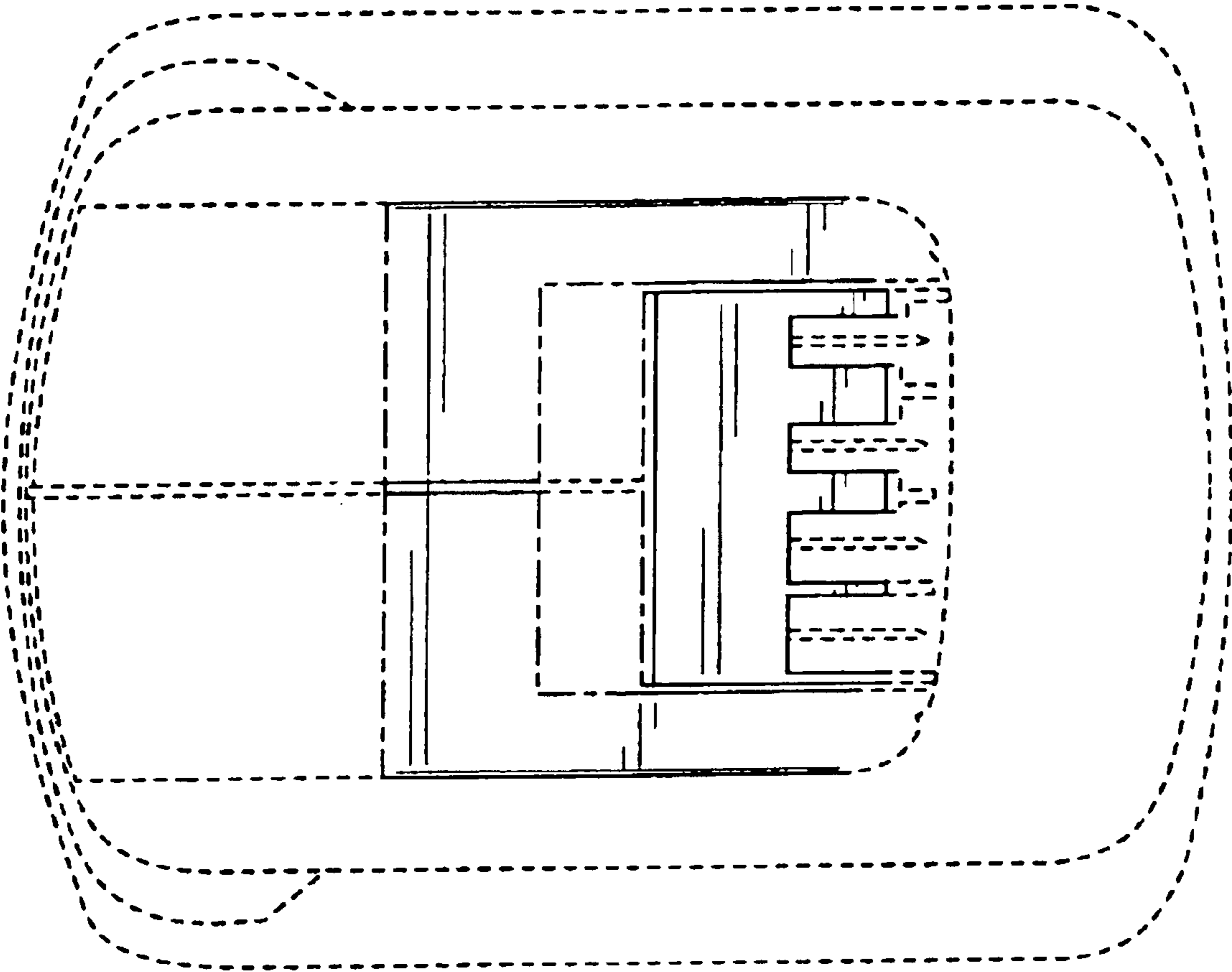


FIG. 3

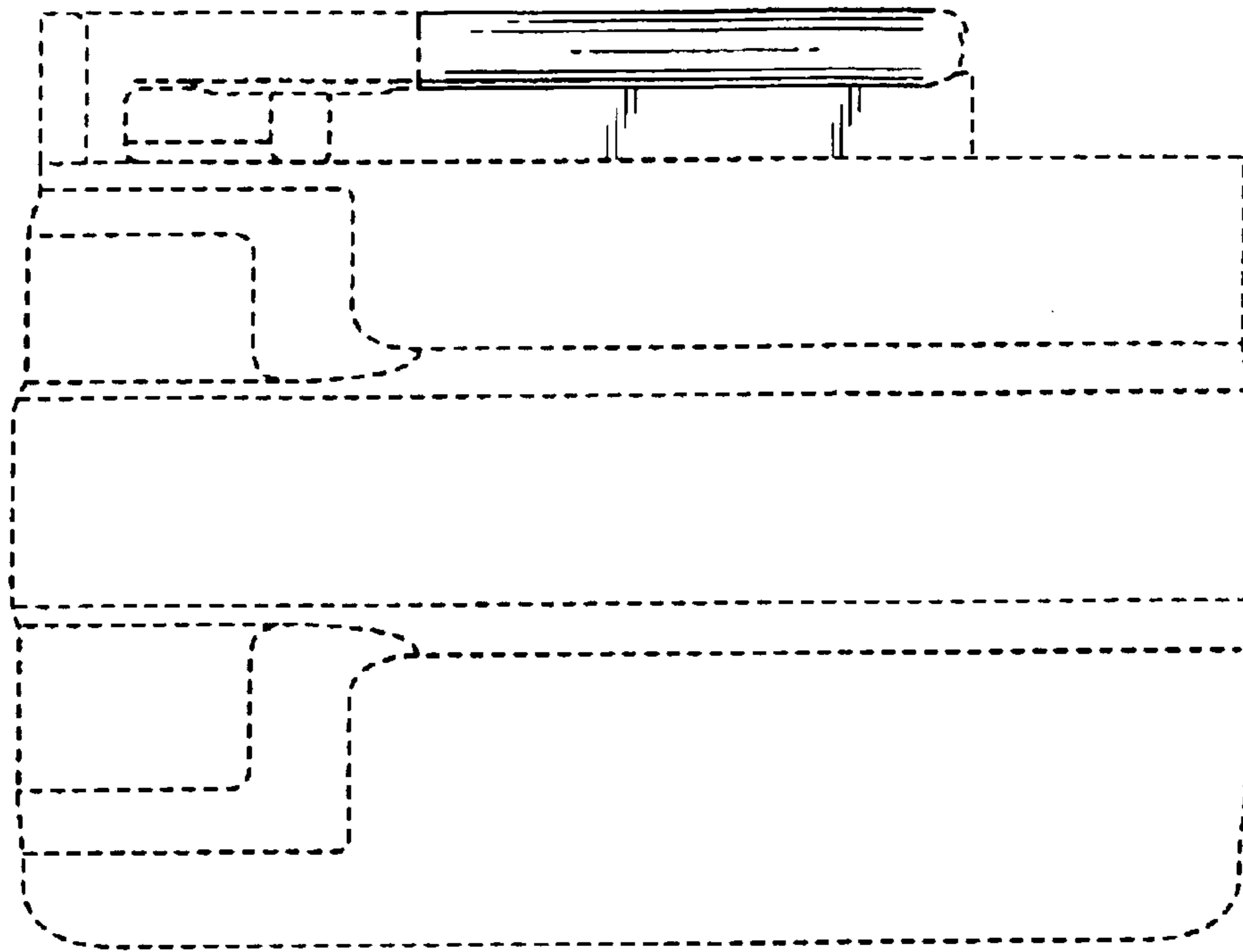


FIG. 4

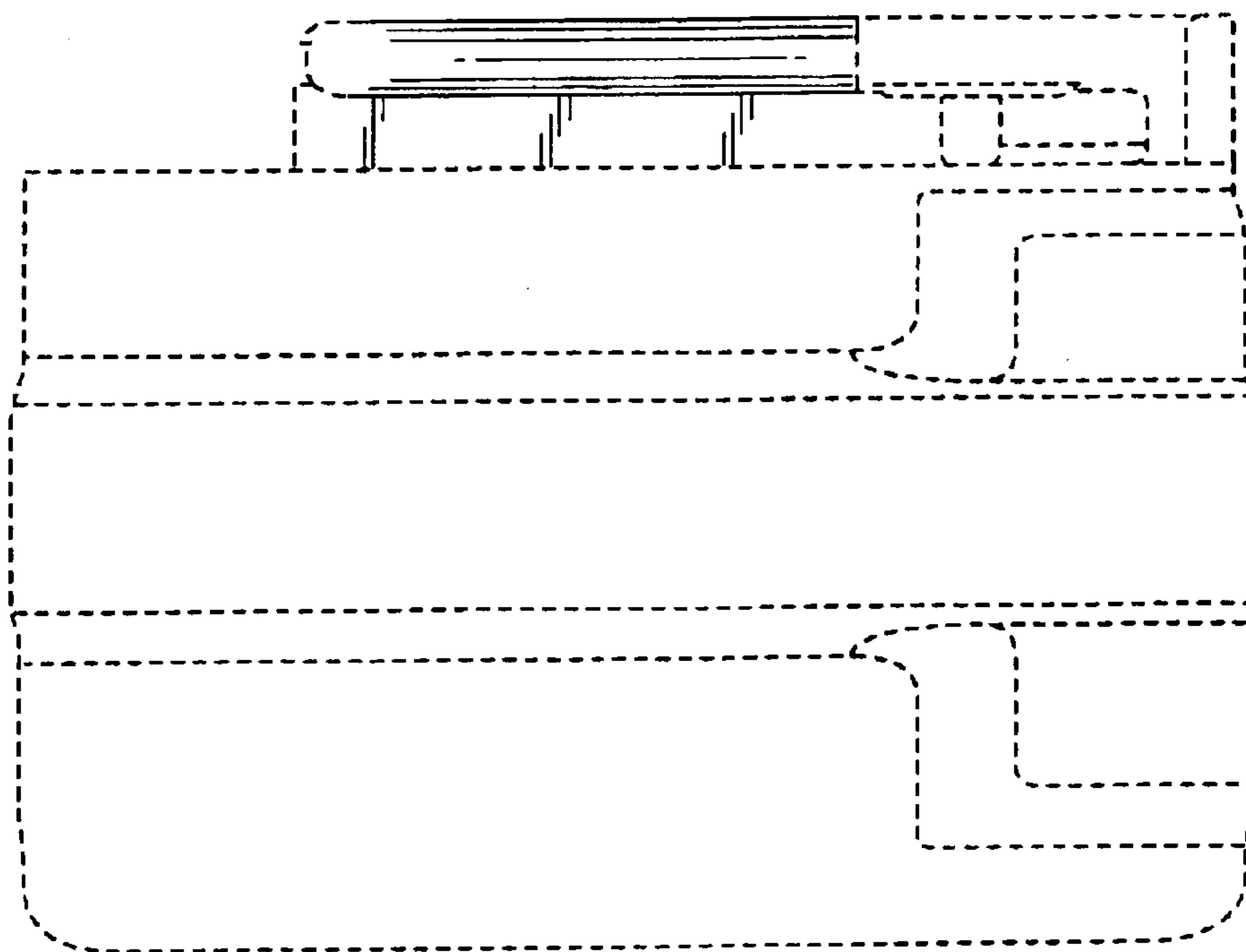


FIG. 5