

US00D509188S

(12) **United States Design Patent**
Mayer et al.

(10) **Patent No.: US D509,188 S**

(45) **Date of Patent: ** Sep. 6, 2005**

(54) **ELECTRIC POWER UNIT FOR A BICYCLE**

(75) Inventors: **Richard A. Mayer**, Saugus, CA (US);
Josefino Del Rosario, Santa Monica,
CA (US)

(73) Assignee: **Currie Technologies, Inc.**, Chatsworth,
CA (US)

(**) Term: **14 Years**

(21) Appl. No.: **29/218,909**

(22) Filed: **Dec. 8, 2004**

(51) **LOC (8) Cl.** **13-01**

(52) **U.S. Cl.** **D13/114; D13/112; D15/1**

(58) **Field of Search** D13/101, 112,
D13/113-114, 184, 199; D15/1; 180/65.1-65.2,
68.1, 68.5, 74, 205, 220, 272; 280/288.1,
288.3

(56) **References Cited**

U.S. PATENT DOCUMENTS

1,612,985 A * 1/1927 Quick 123/195 R
D277,756 S * 2/1985 Davidson D15/1
D280,200 S * 8/1985 Iwakura et al. D15/1
4,871,042 A * 10/1989 Hsu et al. 180/220

5,361,863 A * 11/1994 Goodwin 180/205
D417,674 S * 12/1999 Feuling D15/1
D434,047 S * 11/2000 Ballentine D15/1
D449,620 S * 10/2001 Feuling D15/1
6,501,245 B2 * 12/2002 Okuda 320/112

* cited by examiner

Primary Examiner—Stella Reid

Assistant Examiner—Daniel Bui

(74) *Attorney, Agent, or Firm*—Jack C. Munro

(57) **CLAIM**

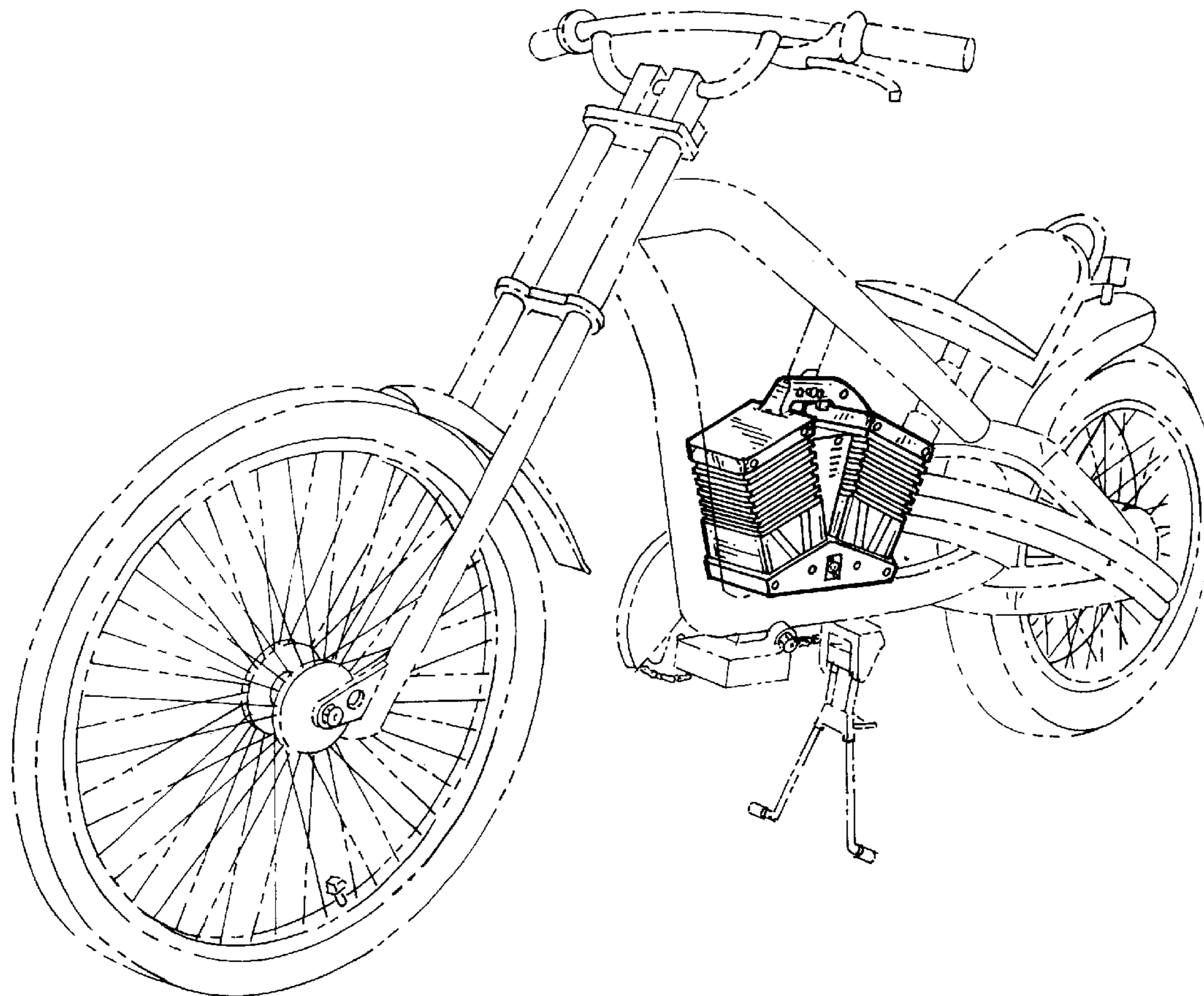
The ornamental design for an electric power unit for a bicycle, as shown and described.

DESCRIPTION

FIG. 1 is a perspective view of the electric power unit for a bicycle showing our new design;
FIG. 2 is a front elevational view thereof;
FIG. 3 is a left side elevational view thereof;
FIG. 4 is a right side elevational view thereof;
FIG. 5 is a rear elevational view thereof;
FIG. 6 is top plan view thereof; and,
FIG. 7 is a bottom plan view thereof.

The broken line showing of the environment is for illustrative purposes only and forms no part of the claimed design.

1 Claim, 3 Drawing Sheets



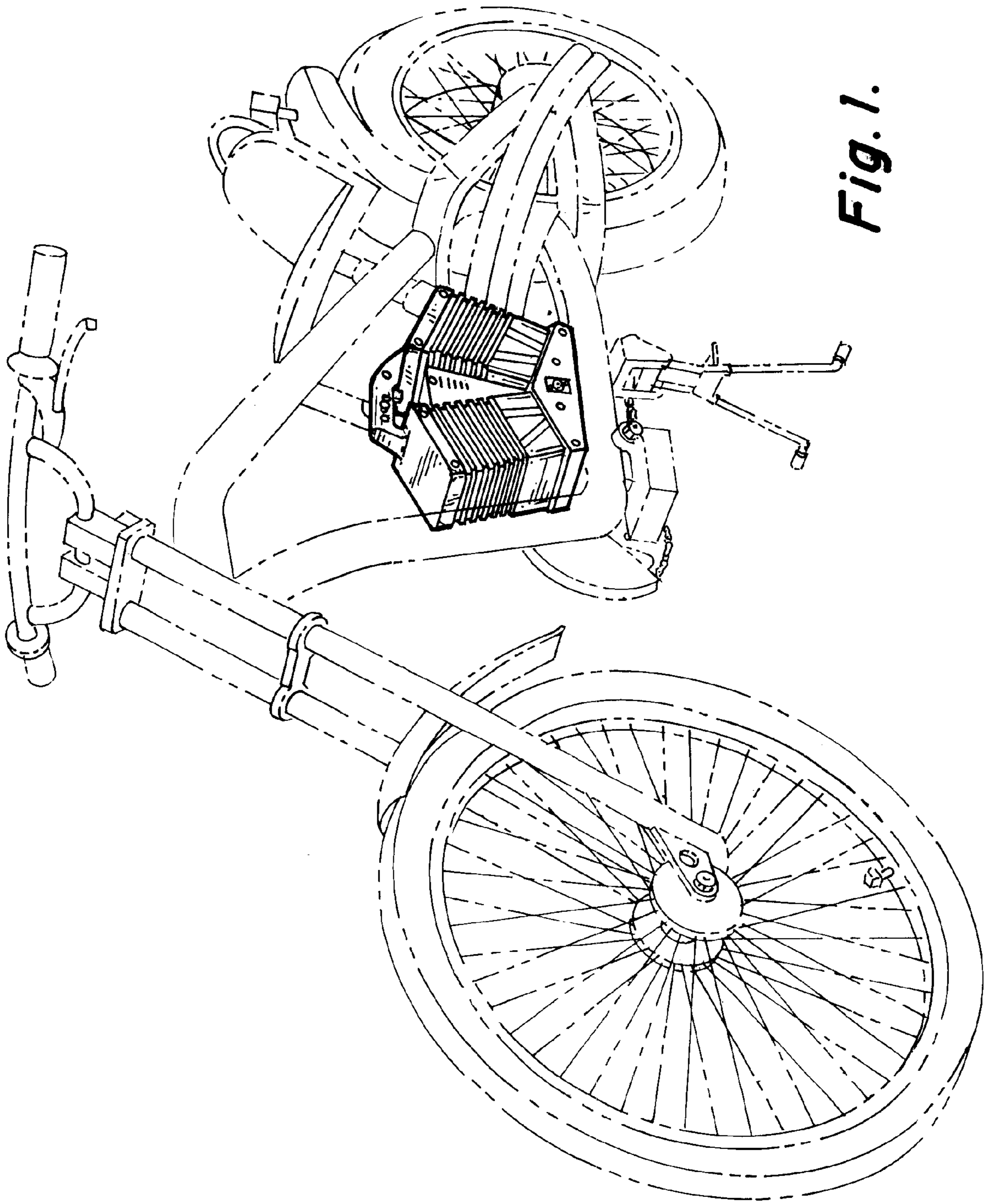


Fig. 1.

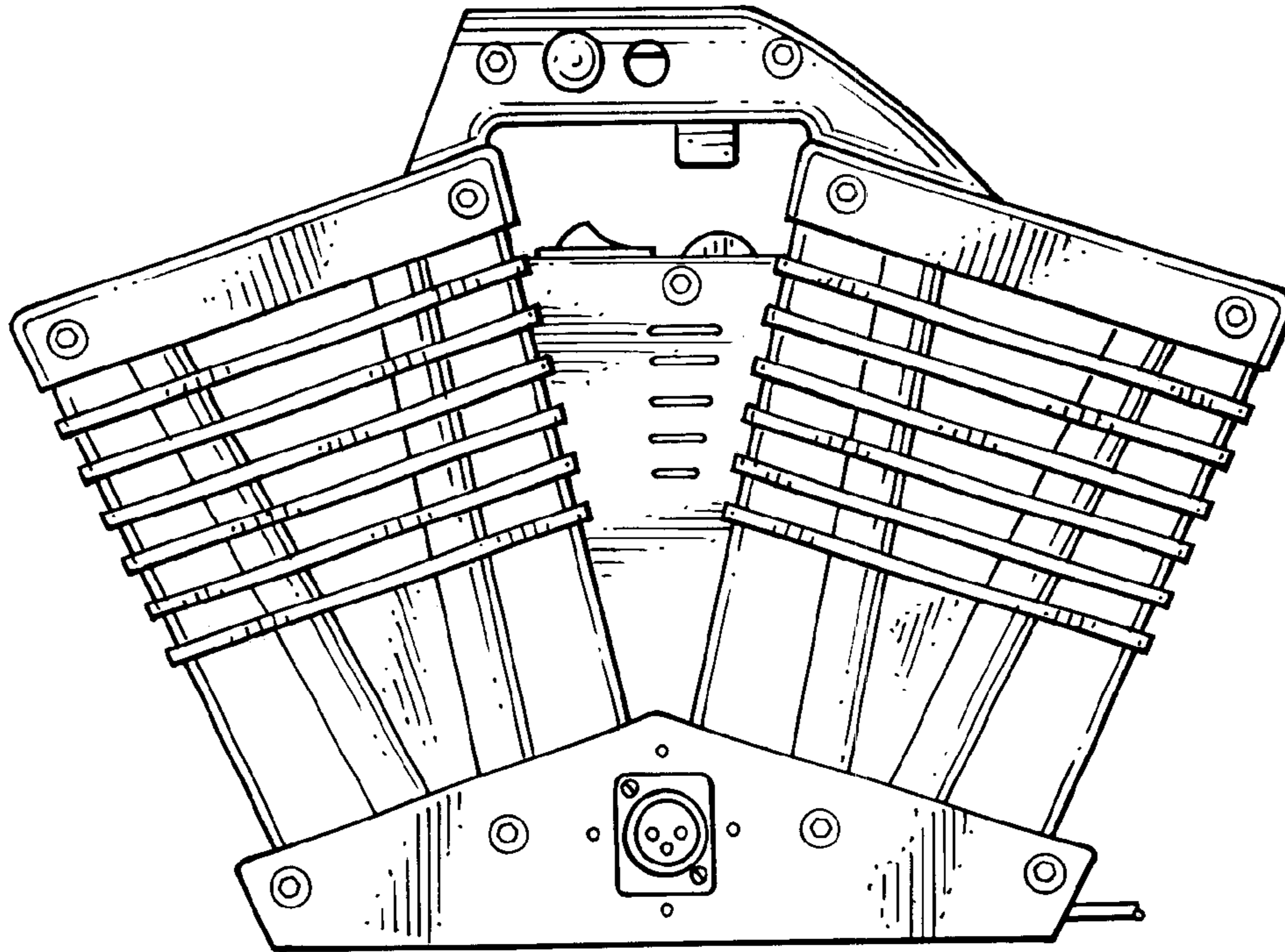


Fig. 2.

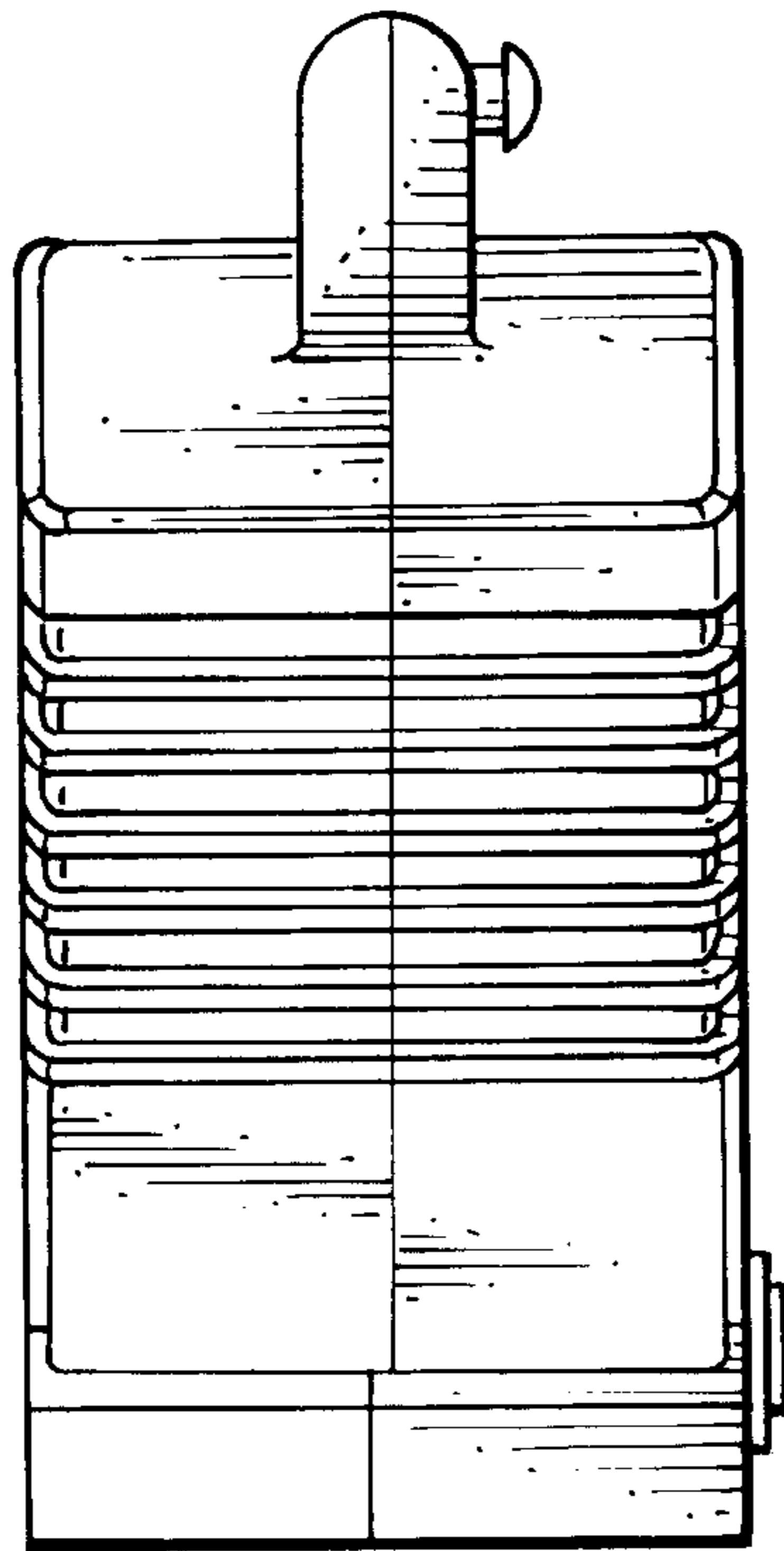


Fig. 3.

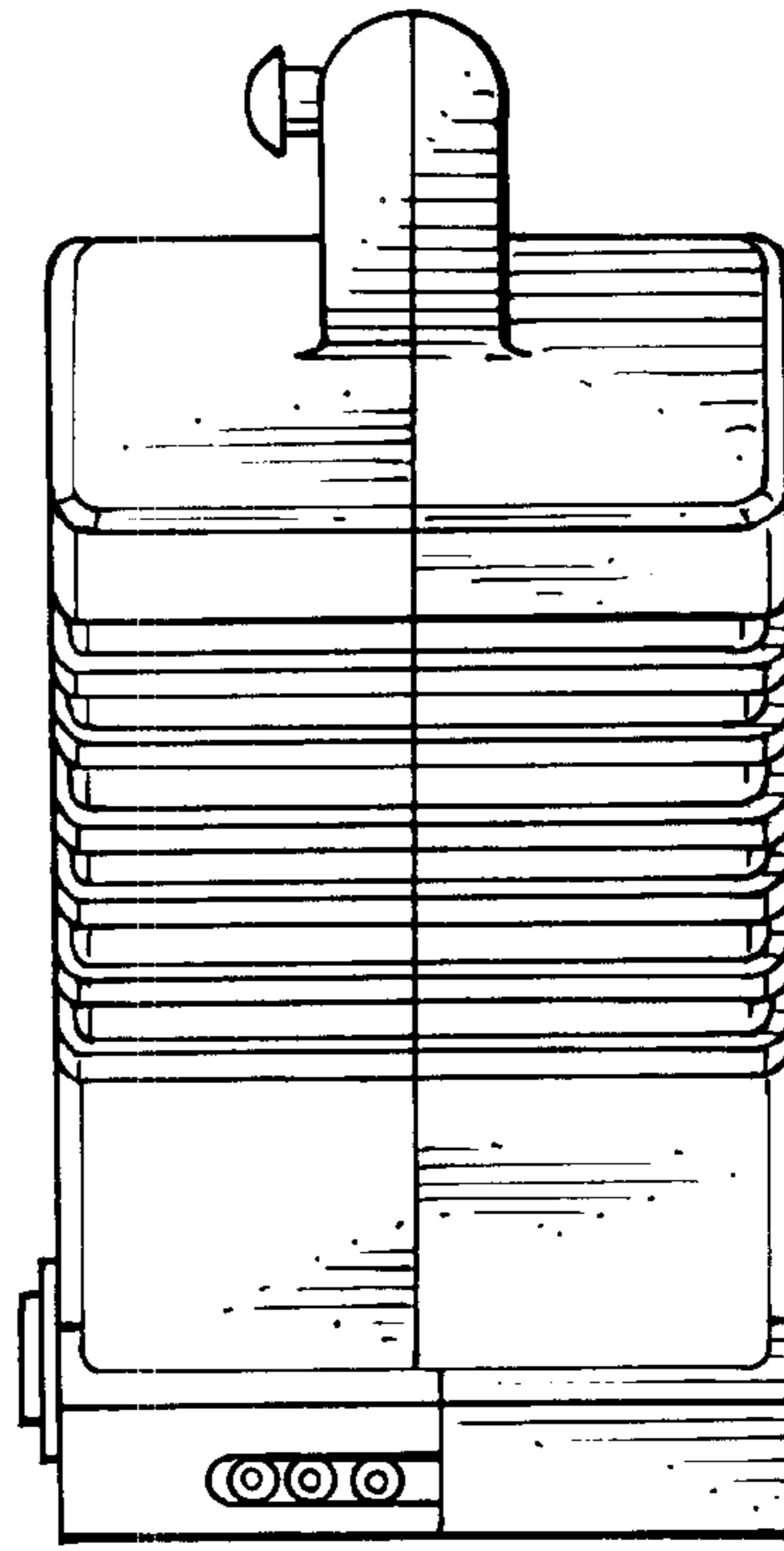


Fig. 4.

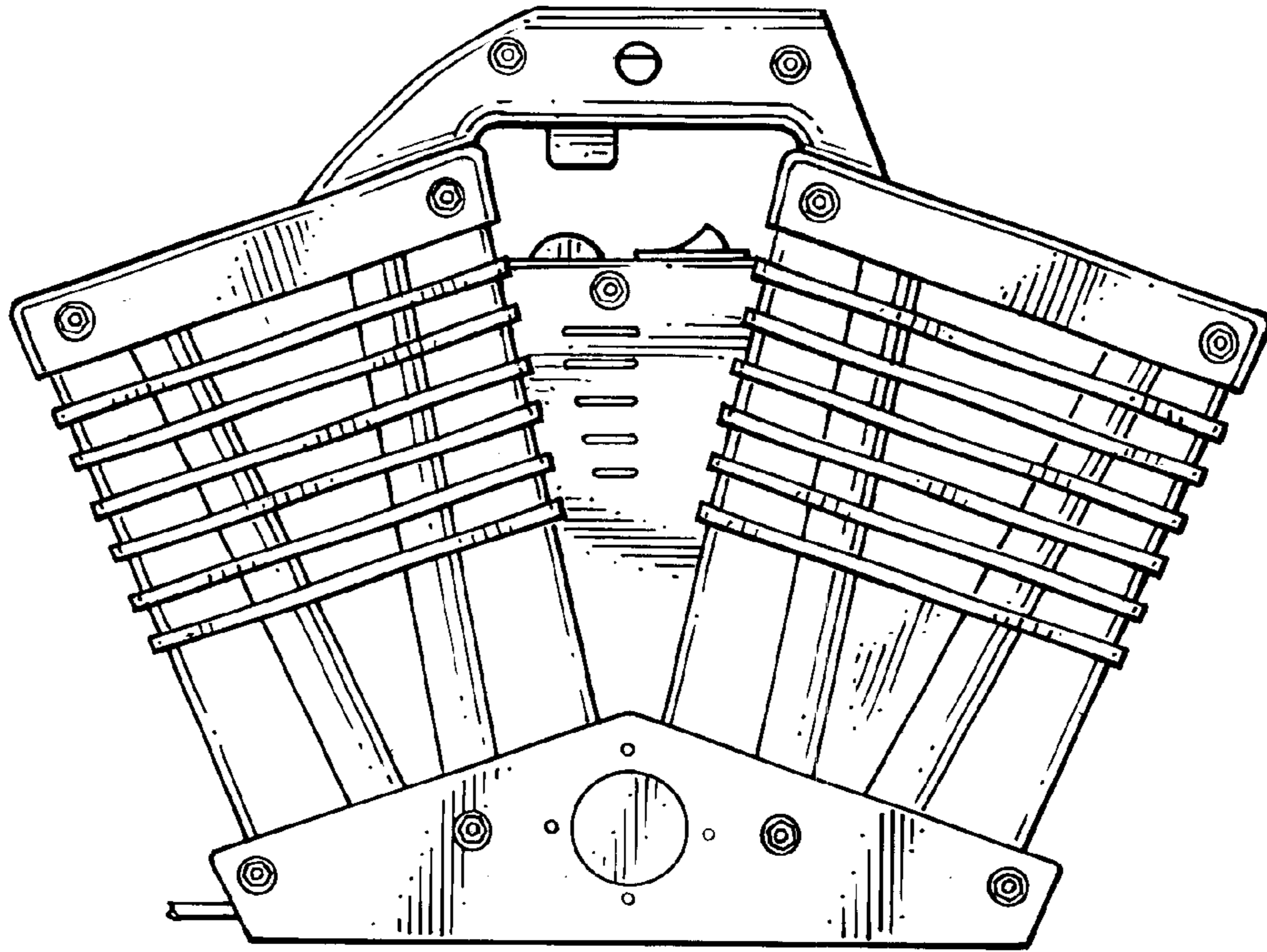


Fig. 5.

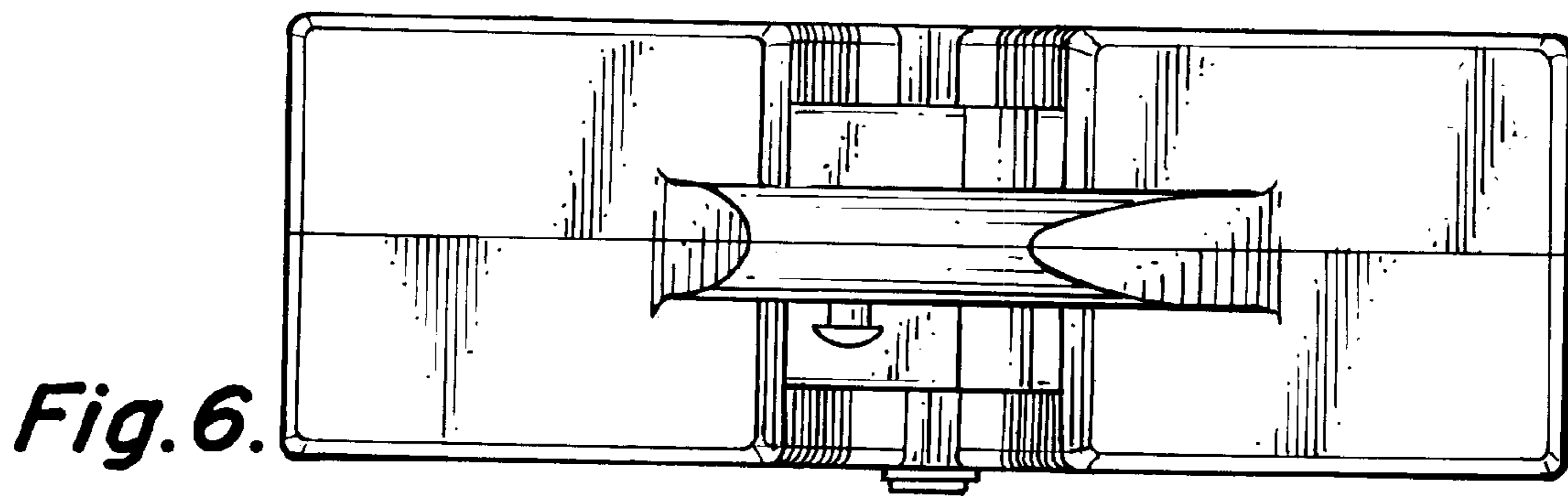


Fig. 6.

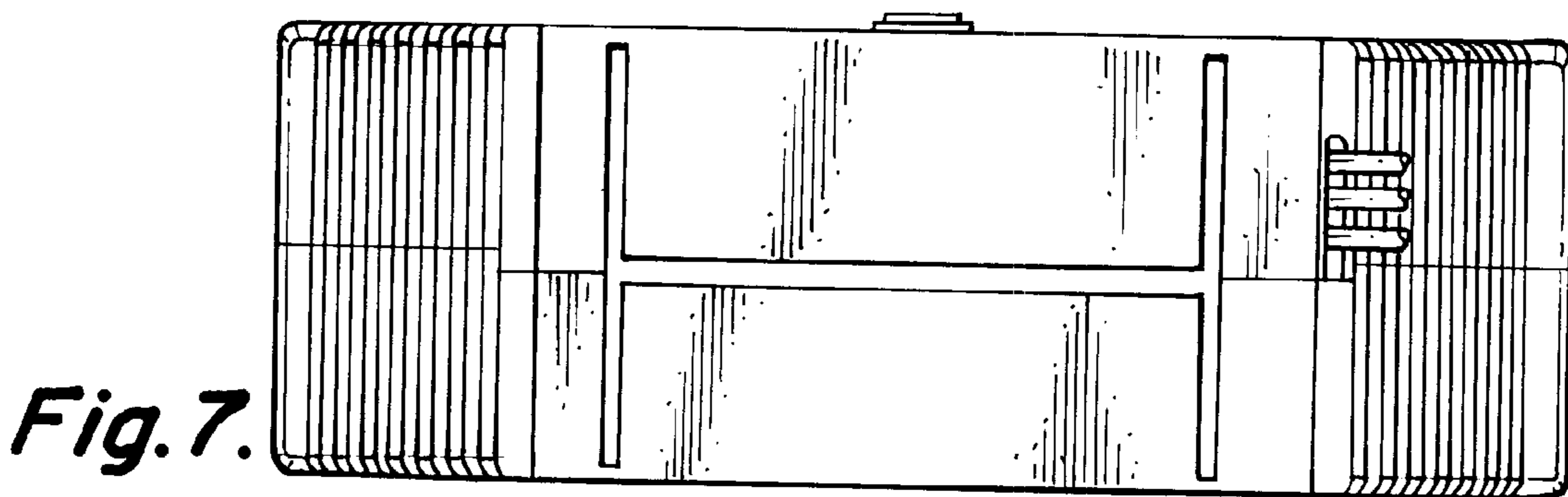


Fig. 7.