

US00D509183S

(12) **United States Design Patent**
Solland et al.

(10) **Patent No.:** **US D509,183 S**
(45) **Date of Patent:** **** Sep. 6, 2005**

- (54) **AUDIO AND CHARGING STATION FOR A HANDHELD ELECTRONIC DEVICE**
- (75) Inventors: **Kurt Solland**, Westlake Village, CA (US); **Fred Tubis**, Northridge, CA (US)
- (73) Assignee: **Harman International Industries, Incorporated**, Northridge, CA (US)
- (**) Term: **14 Years**

- (21) Appl. No.: **29/208,119**
- (22) Filed: **Jun. 25, 2004**
- (51) **LOC (8) Cl.** **13-02**
- (52) **U.S. Cl.** **D13/108**
- (58) **Field of Search** D13/107-110, D13/118-119, 184; D14/251, 253; D16/219, 237, 242; 320/107-115

(56) **References Cited**

U.S. PATENT DOCUMENTS

D69,280 S	1/1926	Moss	
D195,514 S	6/1963	Erickson	
D221,081 S	* 7/1971	Kahn	D13/110
D260,877 S	* 9/1981	Scott et al.	D13/110
D300,678 S	* 4/1989	Barrault	D32/73
D308,389 S	* 6/1990	Horn et al.	D16/242
D334,750 S	4/1993	Negishi et al.	
D358,364 S	* 5/1995	Siddoway	D13/108
D394,425 S	* 5/1998	Snyder et al.	D13/118
D467,241 S	12/2002	Solland	
D482,653 S	* 11/2003	Cho	D13/110

D501,191 S * 1/2005 Siebke D14/149

* cited by examiner

Primary Examiner—Alan P. Douglas
Assistant Examiner—Rosemary Tarca
(74) *Attorney, Agent, or Firm*—Plumsea Law Group, LLC

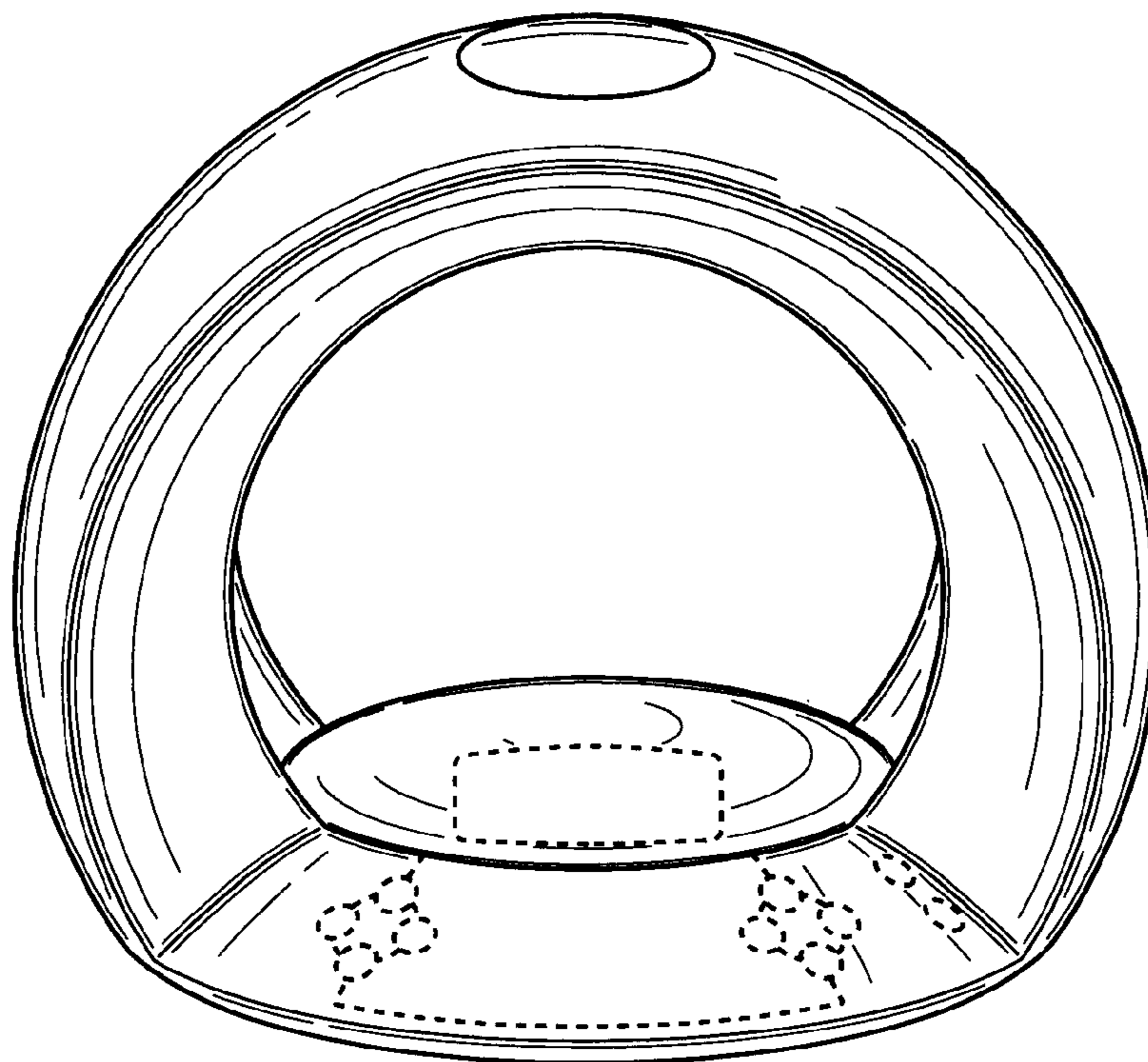
(57) **CLAIM**

The ornamental design for an audio and charging station for a handheld electronic device, as shown and described.

DESCRIPTION

FIG. 1 is a top perspective view of an audio and charging station for a handheld electronic device showing our new design;
 FIG. 2 is a perspective view thereof;
 FIG. 3 is a front elevational view thereof;
 FIG. 4 is a side elevational view thereof, the opposite side being a mirror image;
 FIG. 5 is a top plan view thereof;
 FIG. 6 is a cross-sectional view taken along line 6—6 in FIG. 3;
 FIG. 7 is a cross-sectional view taken along line 7—7 in FIG. 3; and,
 FIG. 8 is a front elevational view thereof, shown with a broken line rendering of a handheld electronic device shown mounted in the station.
 The broken line showings of the rectangular areas and the circles on the front of the station in all of the figures, and the handheld electronic device in FIG. 8 are for illustrative purposes only and form no part of the claimed invention.

1 Claim, 4 Drawing Sheets



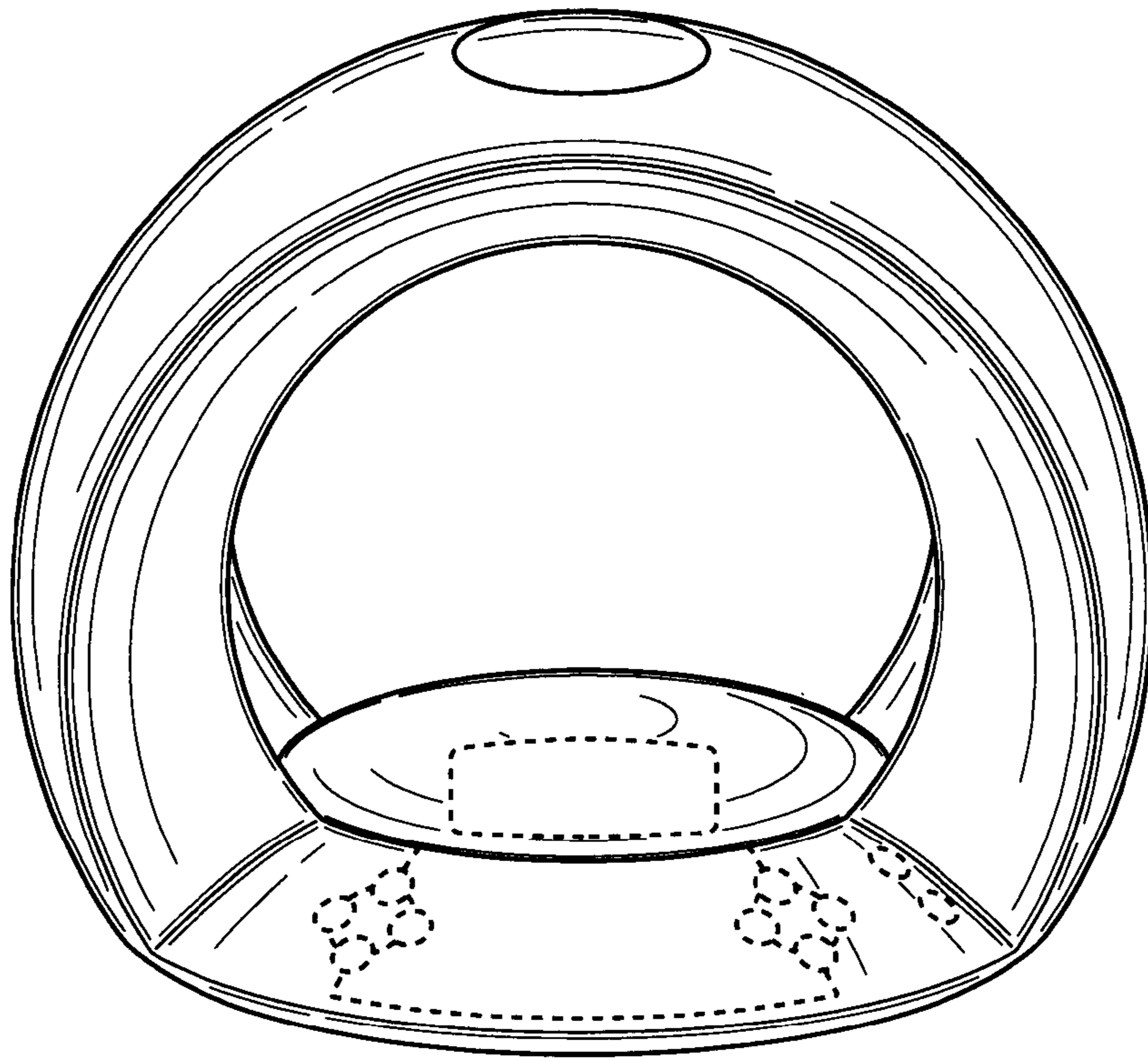


FIG. 1

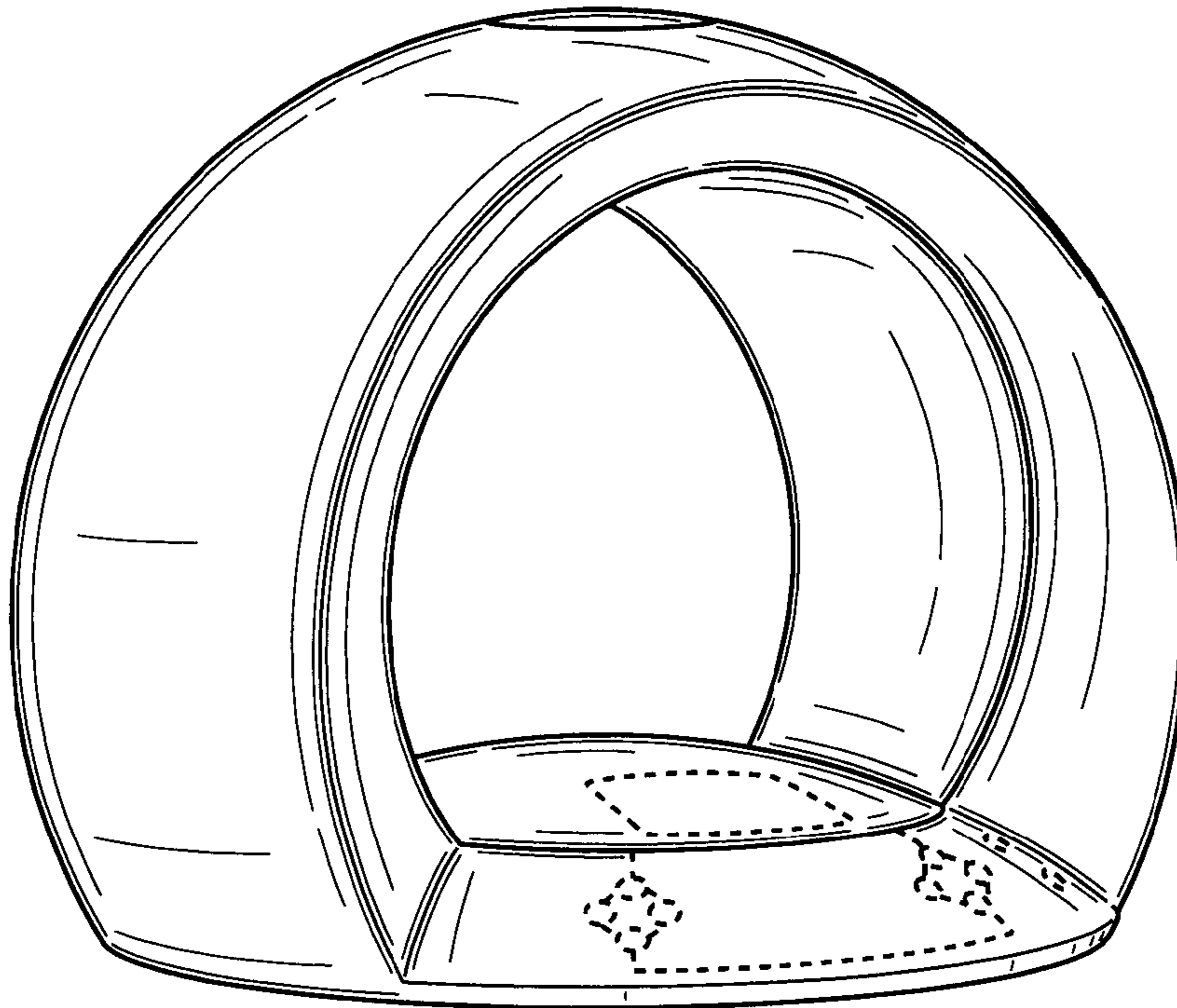
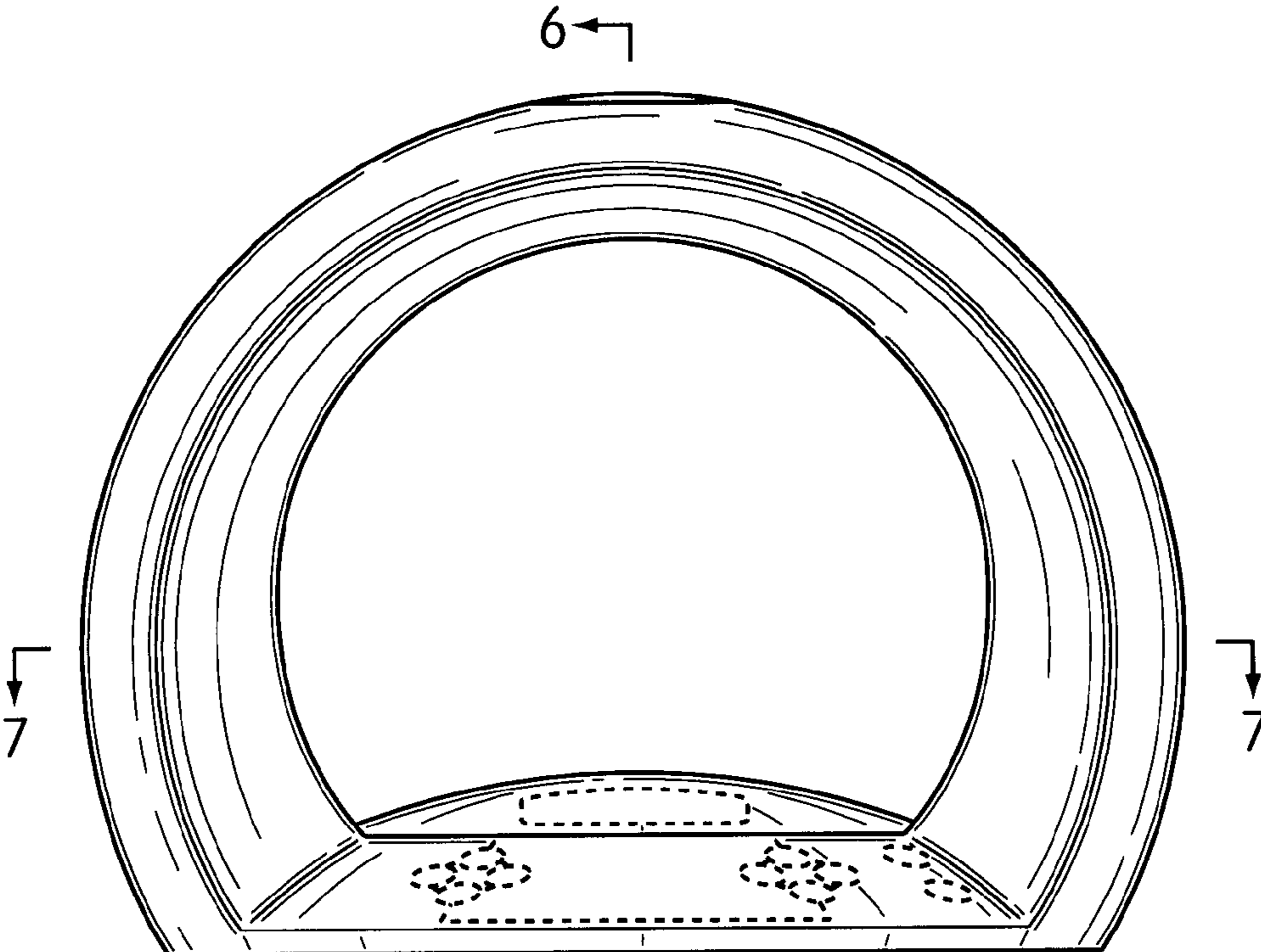


FIG. 2



6
FIG. 3

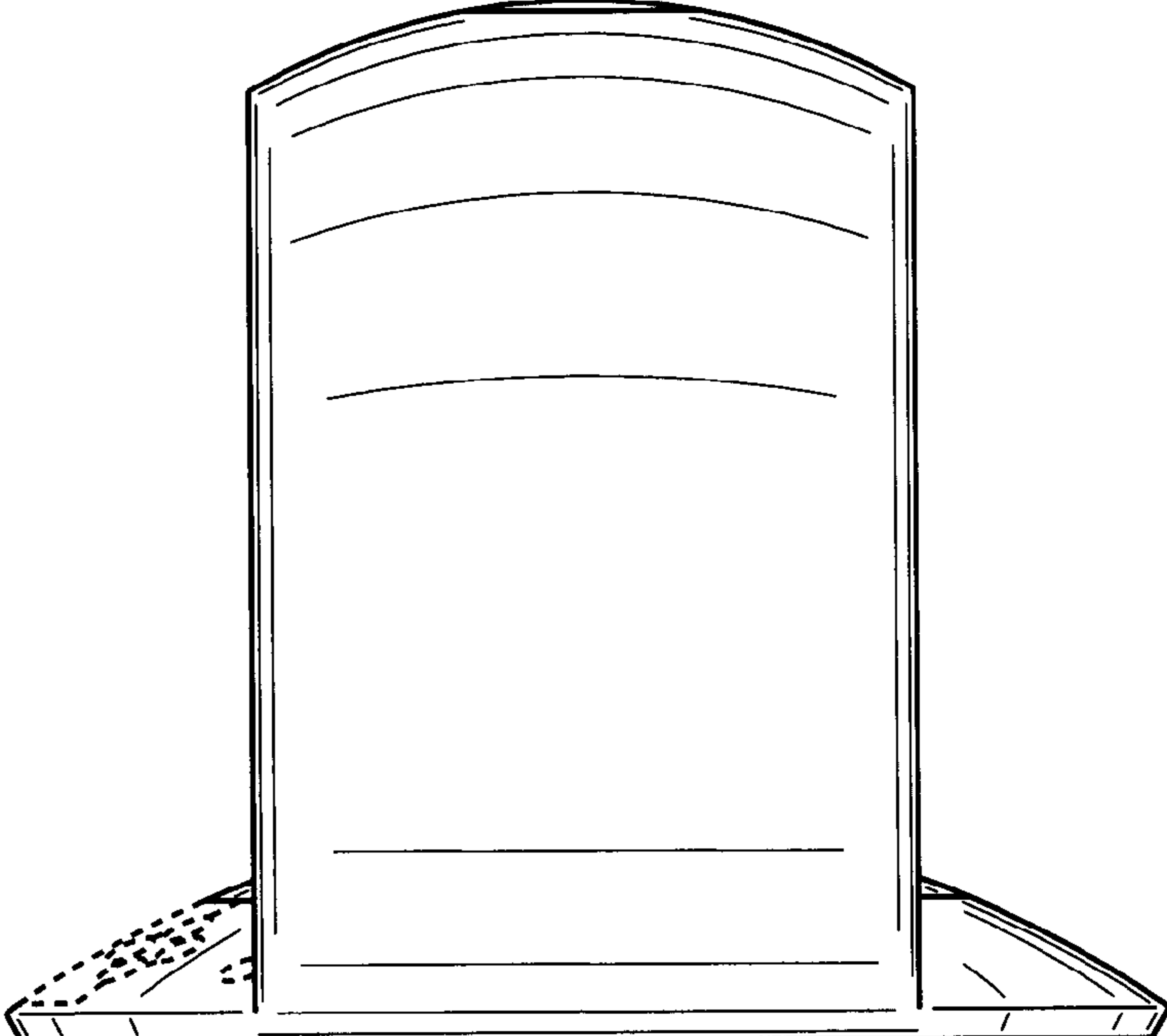


FIG. 4

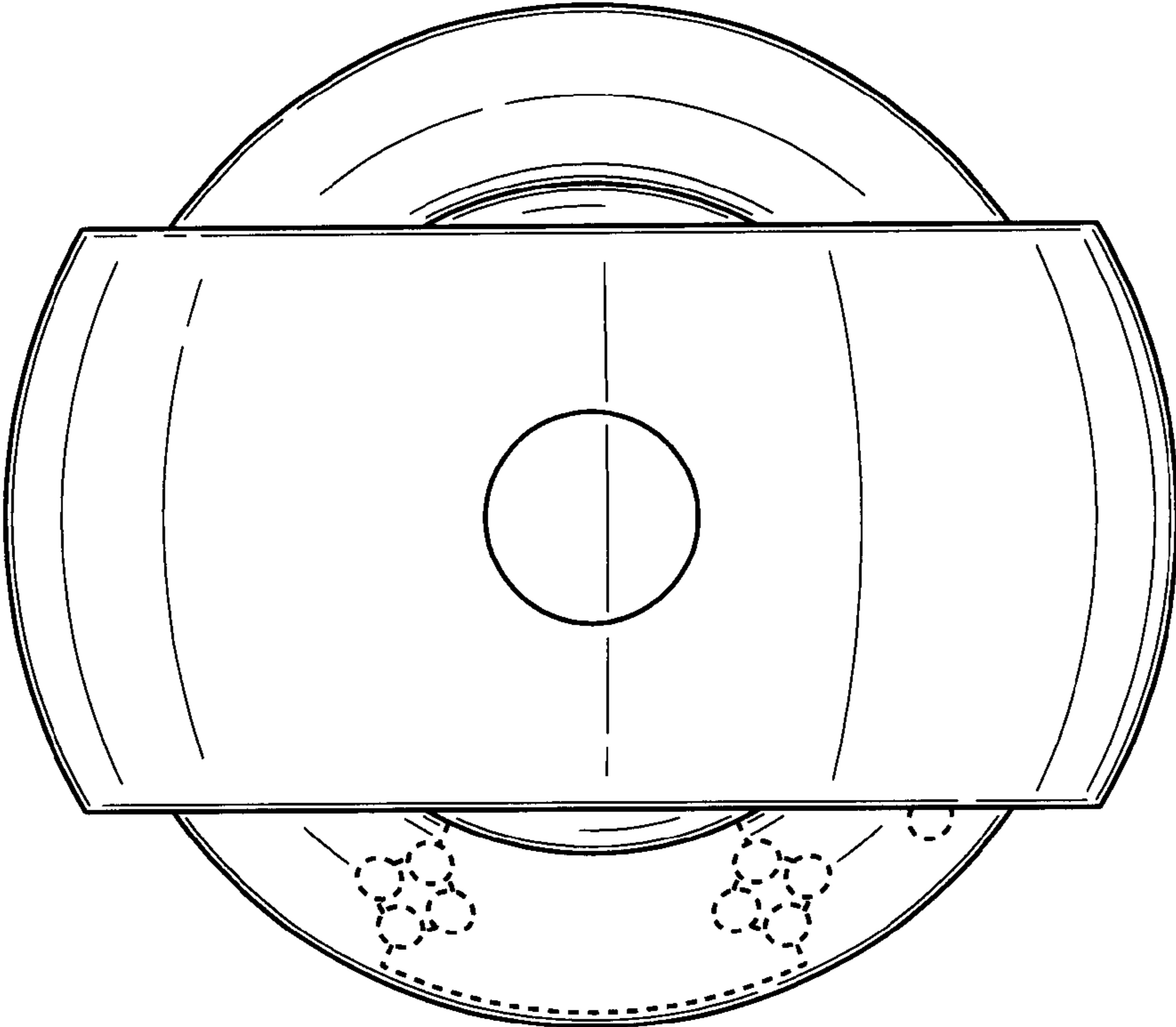


FIG. 5

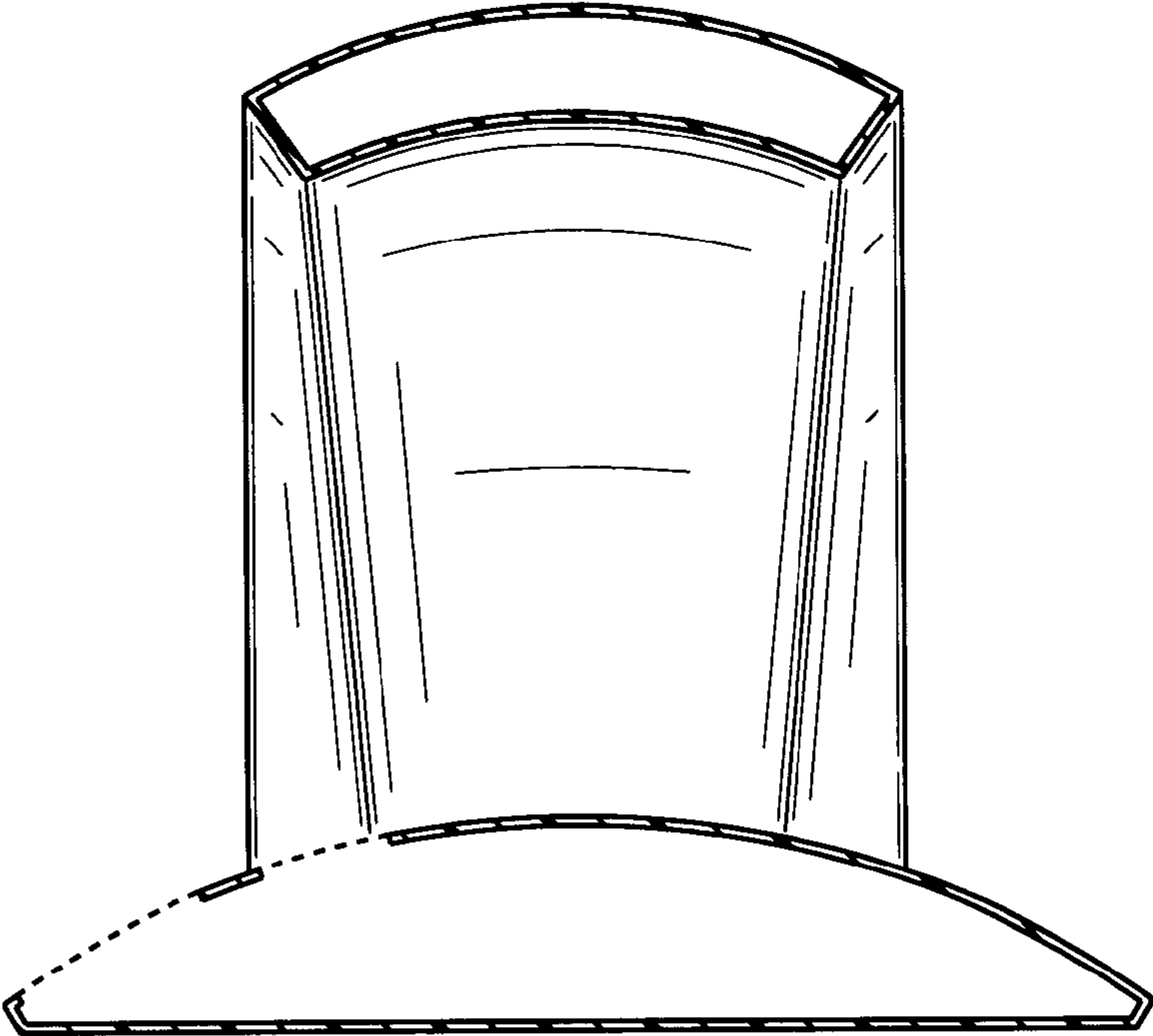


FIG. 6

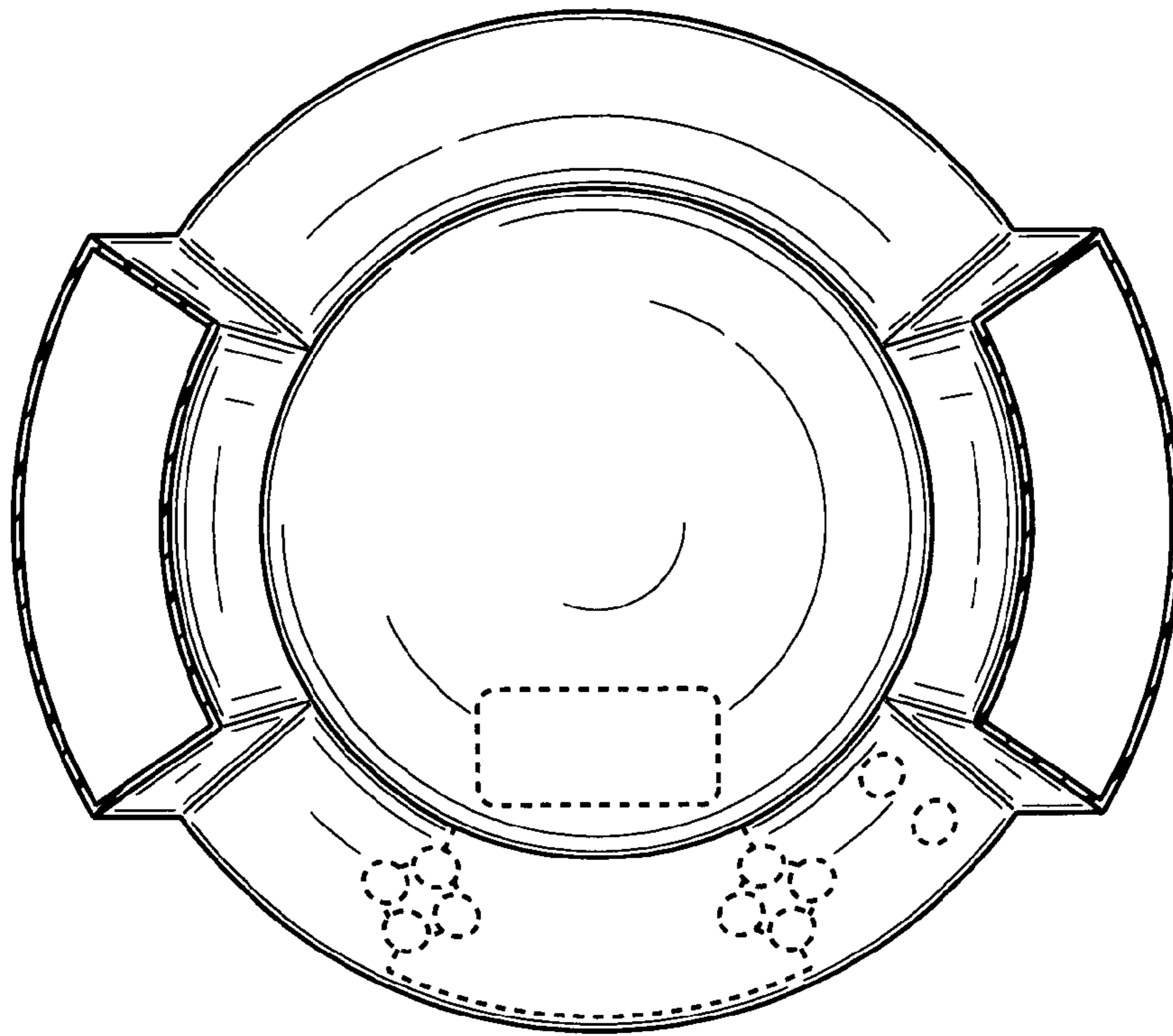


FIG. 7

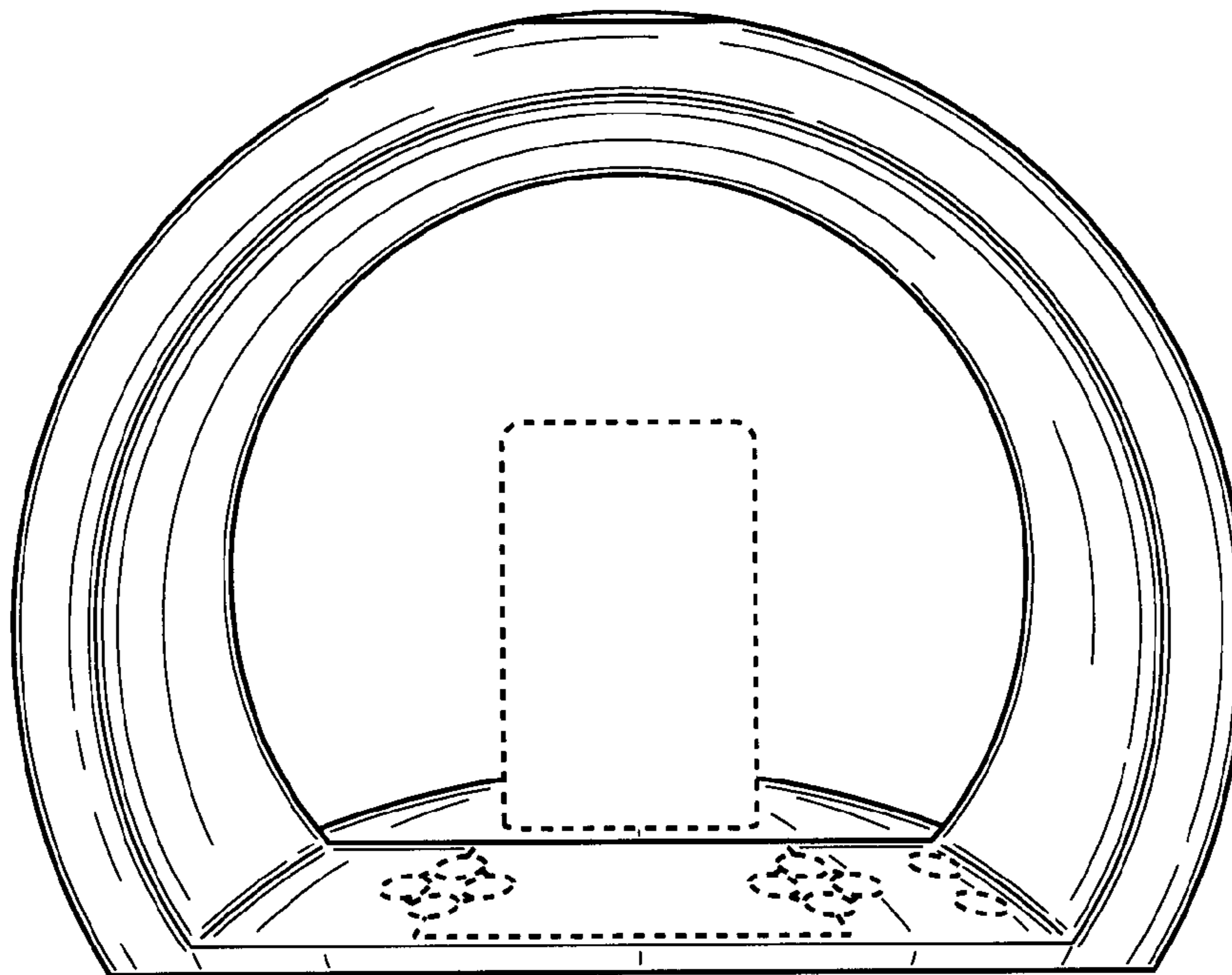


FIG. 8