

US00D509182S

(12) **United States Design Patent**
Takeshita et al.

(10) **Patent No.: US D509,182 S**
(45) **Date of Patent: ** Sep. 6, 2005**

(54) **BATTERY**

(75) Inventors: **Toshio Takeshita**, Tokyo (JP); **Yoichi Miyajima**, Tokyo (JP); **Hiroaki Sato**, Tokyo (JP)

(73) Assignee: **Sony Corporation**, Tokyo (JP)

(**) Term: **14 Years**

(21) Appl. No.: **29/215,464**

(22) Filed: **Oct. 20, 2004**

(51) **LOC (8) Cl.** **13-02**

(52) **U.S. Cl.** **D13/103**

(58) **Field of Search** D13/102–106,
D13/110, 118–119, 184; 429/96–100, 153–154,
160, 163, 175–176, 187

(56) **References Cited**

U.S. PATENT DOCUMENTS

| | | | | | |
|-------------|---|---------|----------------|-------|---------|
| D239,450 S | * | 4/1976 | Hennen | | D13/119 |
| D243,615 S | * | 3/1977 | Kaye | | D13/103 |
| D243,618 S | * | 3/1977 | Kaye | | D13/103 |
| D250,528 S | * | 12/1978 | Kaye | | D13/103 |
| D250,529 S | * | 12/1978 | Kaye | | D13/103 |
| D250,530 S | * | 12/1978 | Kaye | | D13/103 |
| 4,186,983 A | * | 2/1980 | Kaye | | 439/350 |
| D264,583 S | * | 5/1982 | Kessler | | D13/184 |
| 4,582,767 A | * | 4/1986 | Morioka et al. | | 429/121 |
| 4,904,550 A | * | 2/1990 | Kano et al. | | 429/163 |
| D366,248 S | * | 1/1996 | Owens | | D13/184 |
| D400,496 S | * | 11/1998 | Barber et al. | | D13/103 |

| | | | | | |
|--------------|---|---------|-----------------|-------|---------|
| D423,449 S | * | 4/2000 | Naskali | | D13/103 |
| 6,110,618 A | * | 8/2000 | Vacheron et al. | | 429/100 |
| 6,153,834 A | * | 11/2000 | Cole et al. | | 174/260 |
| 6,610,443 B2 | * | 8/2003 | Paulot et al. | | 429/181 |
| D480,682 S | | 10/2003 | Kawase | | |
| D491,139 S | | 6/2004 | Krieger et al. | | |
| 6,773,846 B2 | * | 8/2004 | Chen et al. | | 429/97 |
| 6,808,844 B2 | * | 10/2004 | Ehara | | 429/175 |

FOREIGN PATENT DOCUMENTS

JP D1141456 5/2002

* cited by examiner

Primary Examiner—Alan P. Douglas

Assistant Examiner—Rosemary Tarcza

(74) *Attorney, Agent, or Firm*—Rader, Fishman & Grauer PLLC

(57) **CLAIM**

The ornamental design for a battery, as shown.

DESCRIPTION

FIG. 1 is a perspective view of a battery showing our new design;

FIG. 2 is a front elevational view thereof;

FIG. 3 is a rear elevational view thereof;

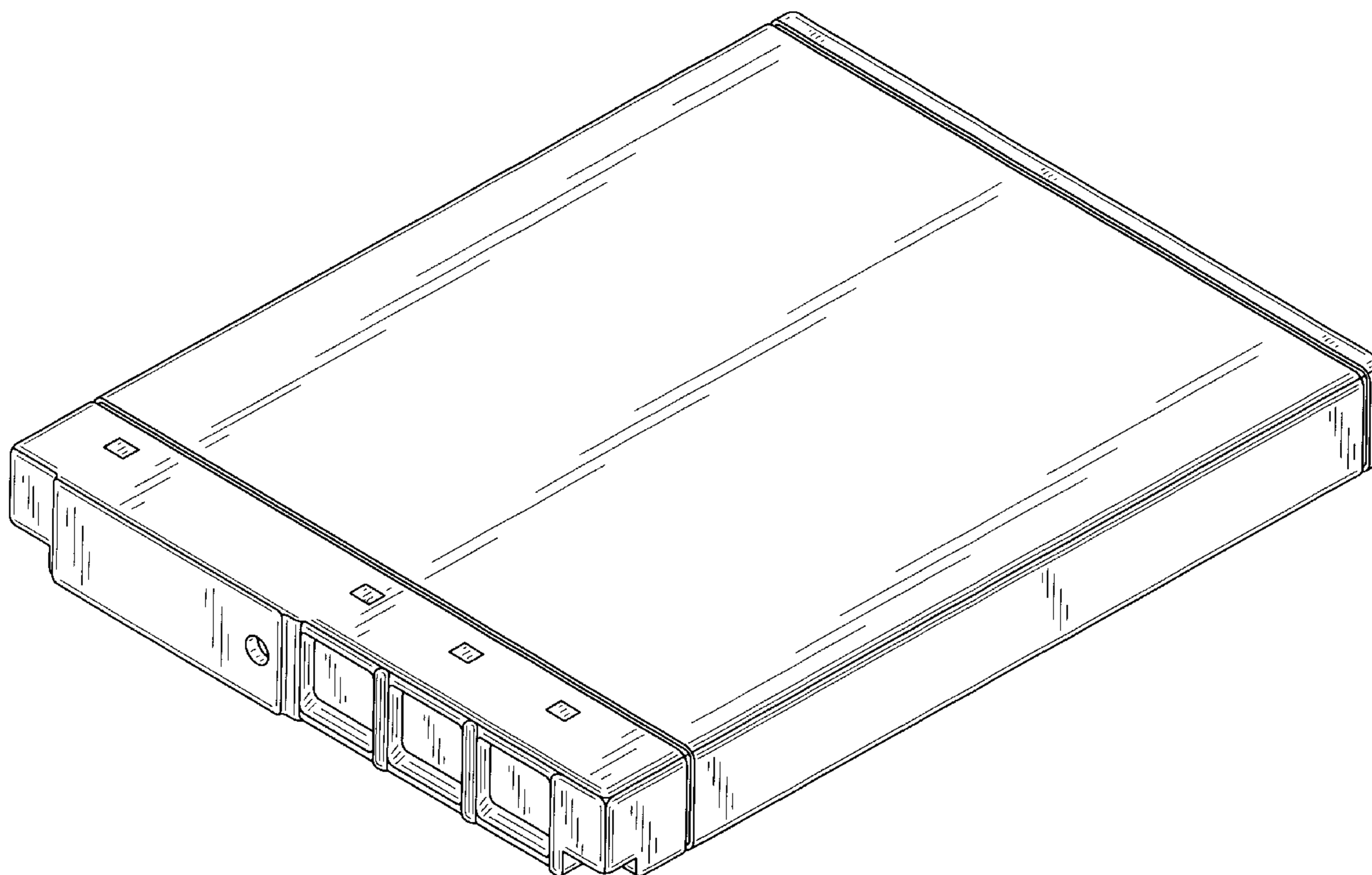
FIG. 4 is a left side elevational view thereof;

FIG. 5 is a right side elevational view thereof;

FIG. 6 is a top plan view thereof; and,

FIG. 7 is a bottom plan view thereof.

1 Claim, 4 Drawing Sheets



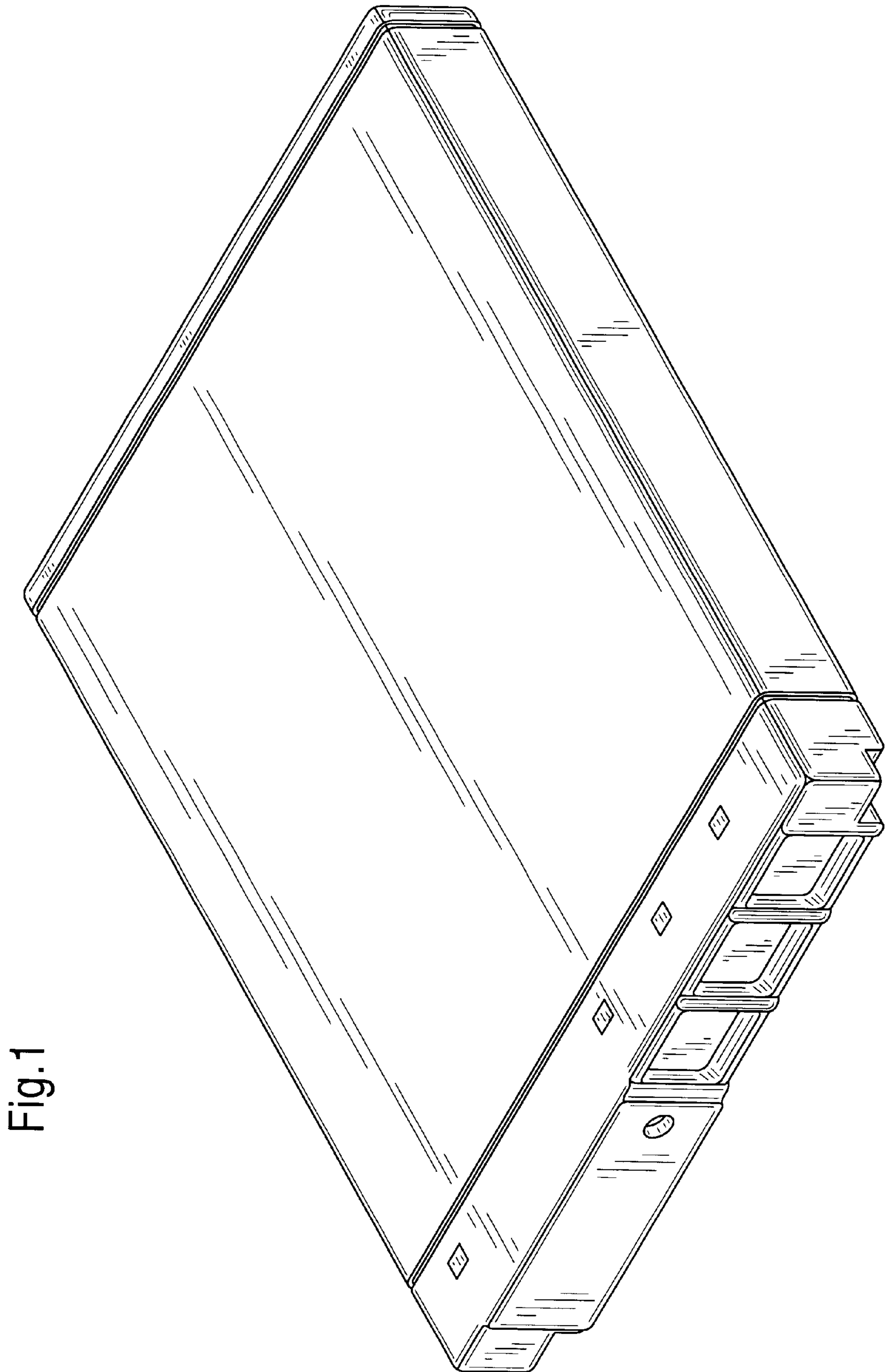


Fig.1

Fig.2

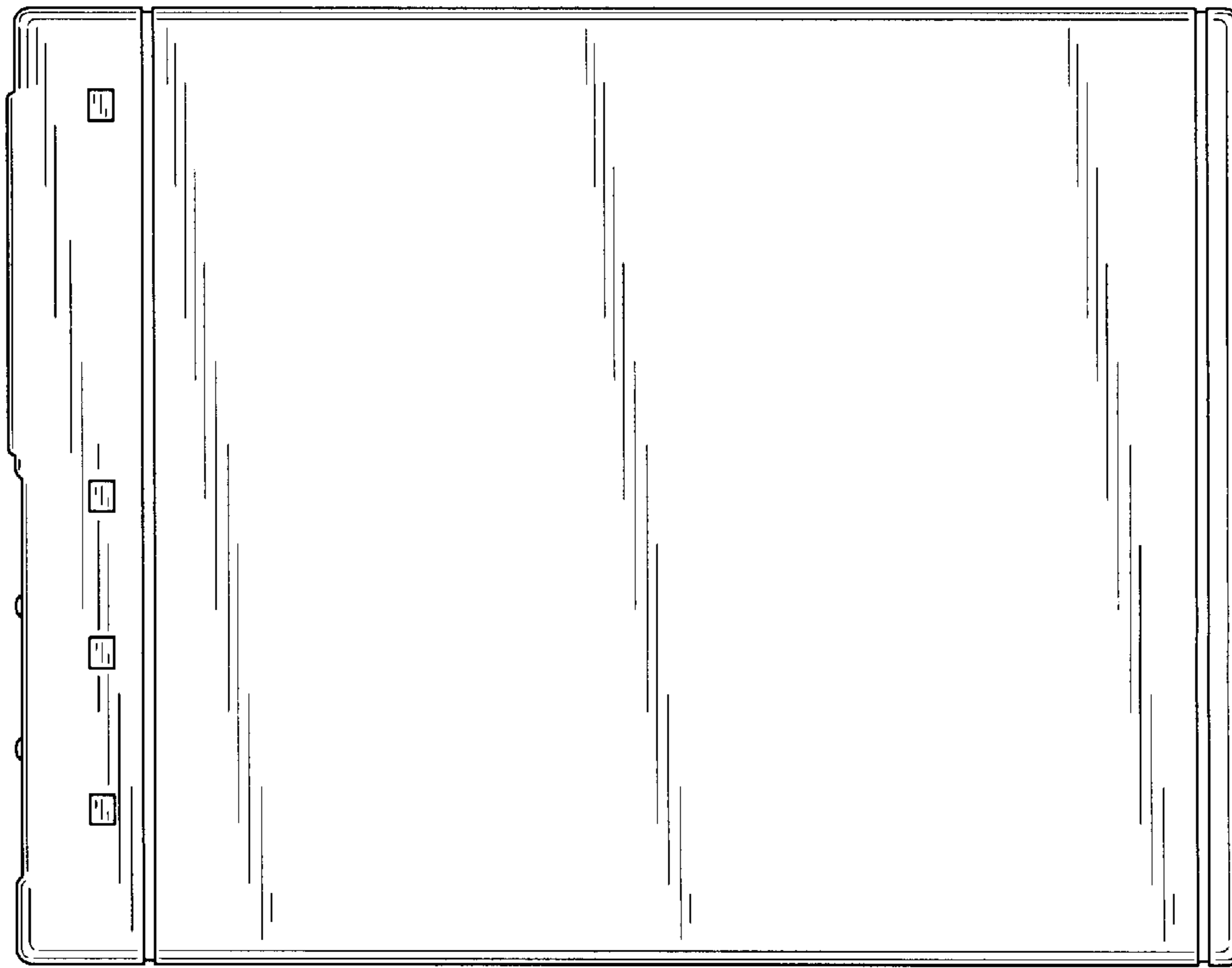


Fig.3

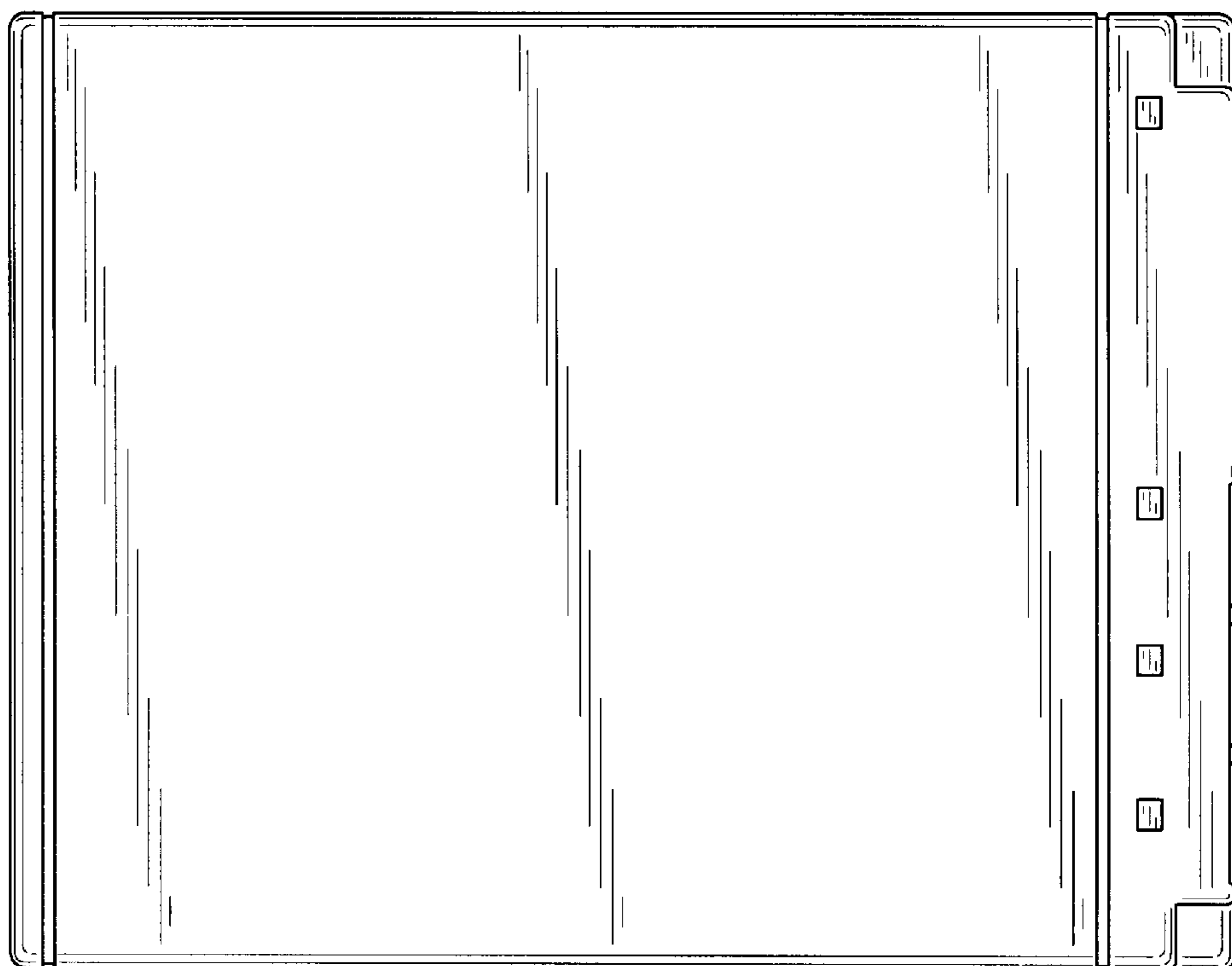


Fig.4

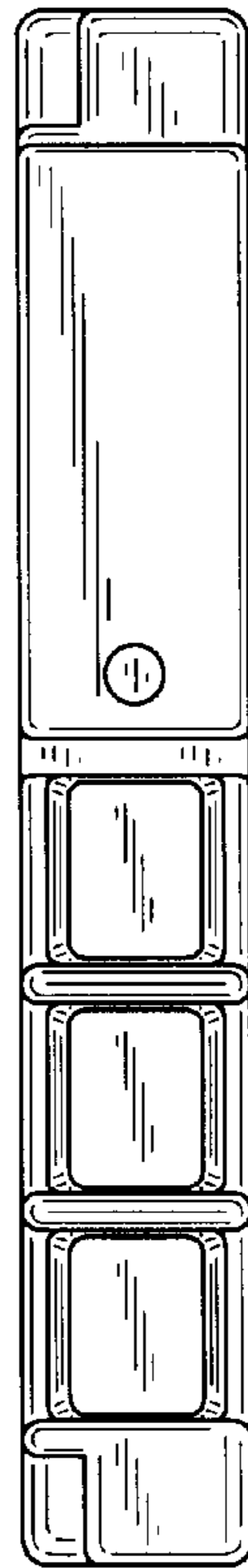


Fig.5

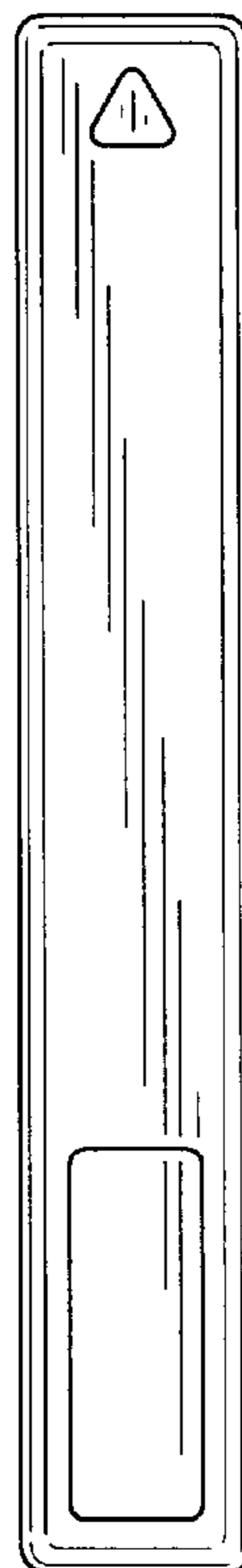


Fig.6



Fig.7

