

US00D509180S

(12) **United States Design Patent** (10) **Patent No.:** **US D509,180 S**
Murray et al. (45) **Date of Patent:** **** Sep. 6, 2005**

(54) **LASER HEAD**

D500,734 S * 1/2005 Puri et al. D13/101
 2003/0106226 A1 * 6/2003 Tacklind et al. 33/286

(75) Inventors: **Christopher J. Murray**, Baltimore, MD (US); **Aldo Balatti**, Greely (CA); **Robert D. Watters**, Ottawa (CA)

FOREIGN PATENT DOCUMENTS

DE	4033630	10/1992
DE	29720919	6/1998
DE	20215235	2/2003
EP	0729053	8/1996
EP	0602131	12/1997
EP	1026476	8/2000
EP	0873222	2/2002
EP	0819911	6/2002
EP	1248137	10/2002
GB	1379078	2/1975
WO	WO 93/22619	11/1993

(73) Assignee: **Black & Decker Inc.**, Newark, DE (US)

(**) Term: **14 Years**

(21) Appl. No.: **29/193,318**

(22) Filed: **Nov. 7, 2003**

(51) **LOC (8) Cl.** **13-02**

(52) **U.S. Cl.** **D13/101; D10/69**

(58) **Field of Search** D13/101, 118, D13/184, 166; D10/60, 65, 66, 69, 74, 80, 94, 103; D16/244; 33/286, 290-291, 295, 333, 370-373, DIG. 21

* cited by examiner

Primary Examiner—Stella Reid

Assistant Examiner—Daniel Bui

(74) *Attorney, Agent, or Firm*—**Harness, Dickey & Pierce, P.L.C.**

(56) **References Cited**

U.S. PATENT DOCUMENTS

4,025,200	A	5/1977	Zeineh	
5,212,889	A	5/1993	Lysen	
5,539,990	A	7/1996	Le	
5,898,490	A	* 4/1999	Ohtomo et al.	356/141.3
D411,809	S	* 7/1999	Wakabayashi	D10/66
5,967,645	A	10/1999	Anderson	
D416,856	S	* 11/1999	Onose	D13/101
D418,432	S	* 1/2000	Krantz	D10/69
D429,481	S	* 8/2000	Ishii	D13/101
D469,369	S	* 1/2003	Durkin	D10/69
D469,738	S	* 2/2003	Ishii	D13/101
D470,423	S	* 2/2003	Loudenslager et al.	D10/69
D470,424	S	* 2/2003	Hand et al.	D10/69
6,539,638	B1	4/2003	Pelletier	
6,546,636	B2	4/2003	Tamamura	
6,763,596	B1	* 7/2004	Puri et al.	33/286

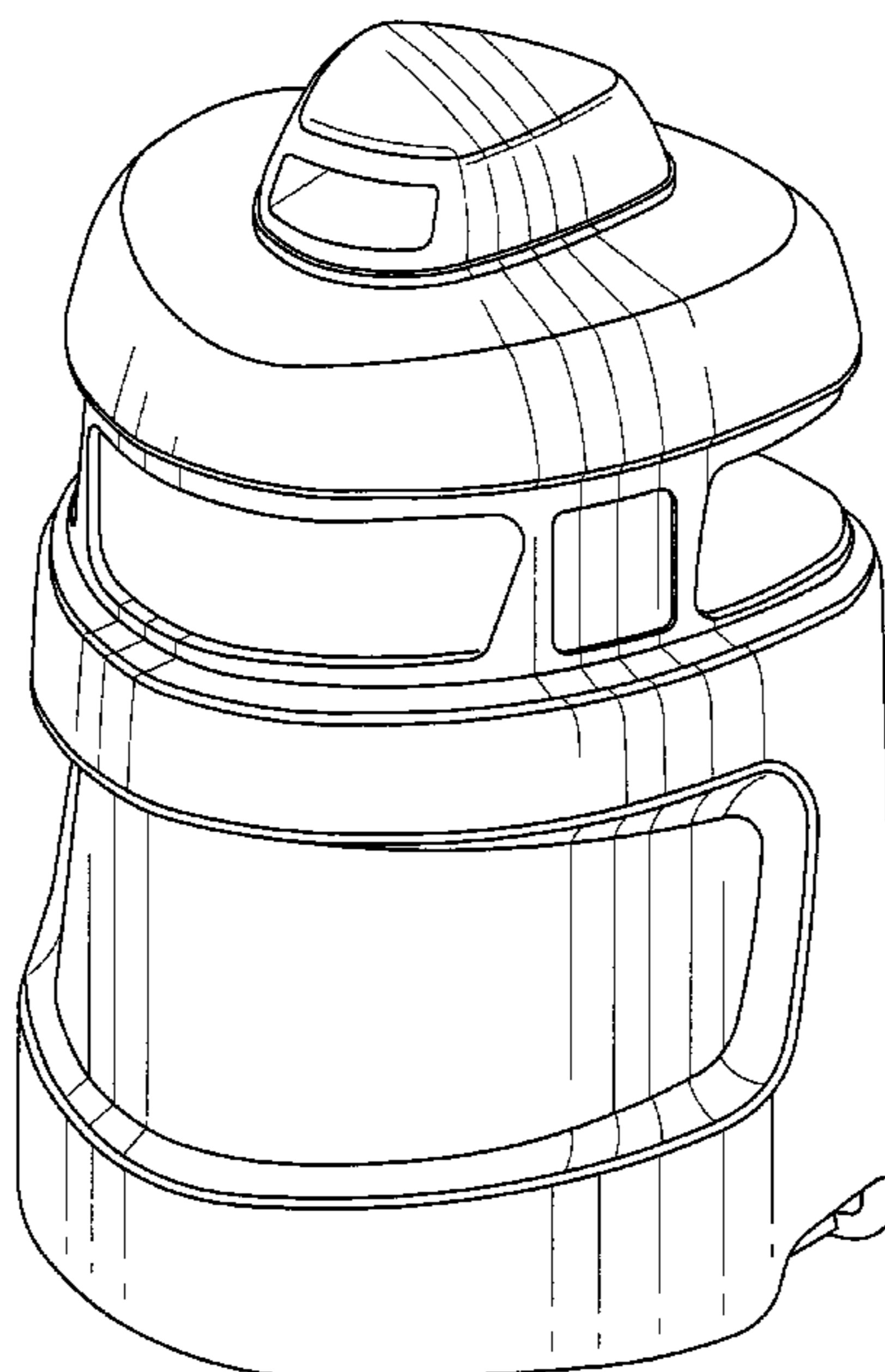
(57) **CLAIM**

The ornamental design for a laser head, as shown and described.

DESCRIPTION

FIG. 1 is a front perspective view of a laser head showing our new design;
 FIG. 2 is a top view of the laser head;
 FIG. 3 is a bottom view of the laser head;
 FIG. 4 is a right side view of the laser head, the left side being a mirror image thereof;
 FIG. 5 is a back view of the laser head; and,
 FIG. 6 is a front view of the laser head.
 The broken line showing of the environment is for illustrative purposes only and forms no part of the claimed design.

1 Claim, 3 Drawing Sheets



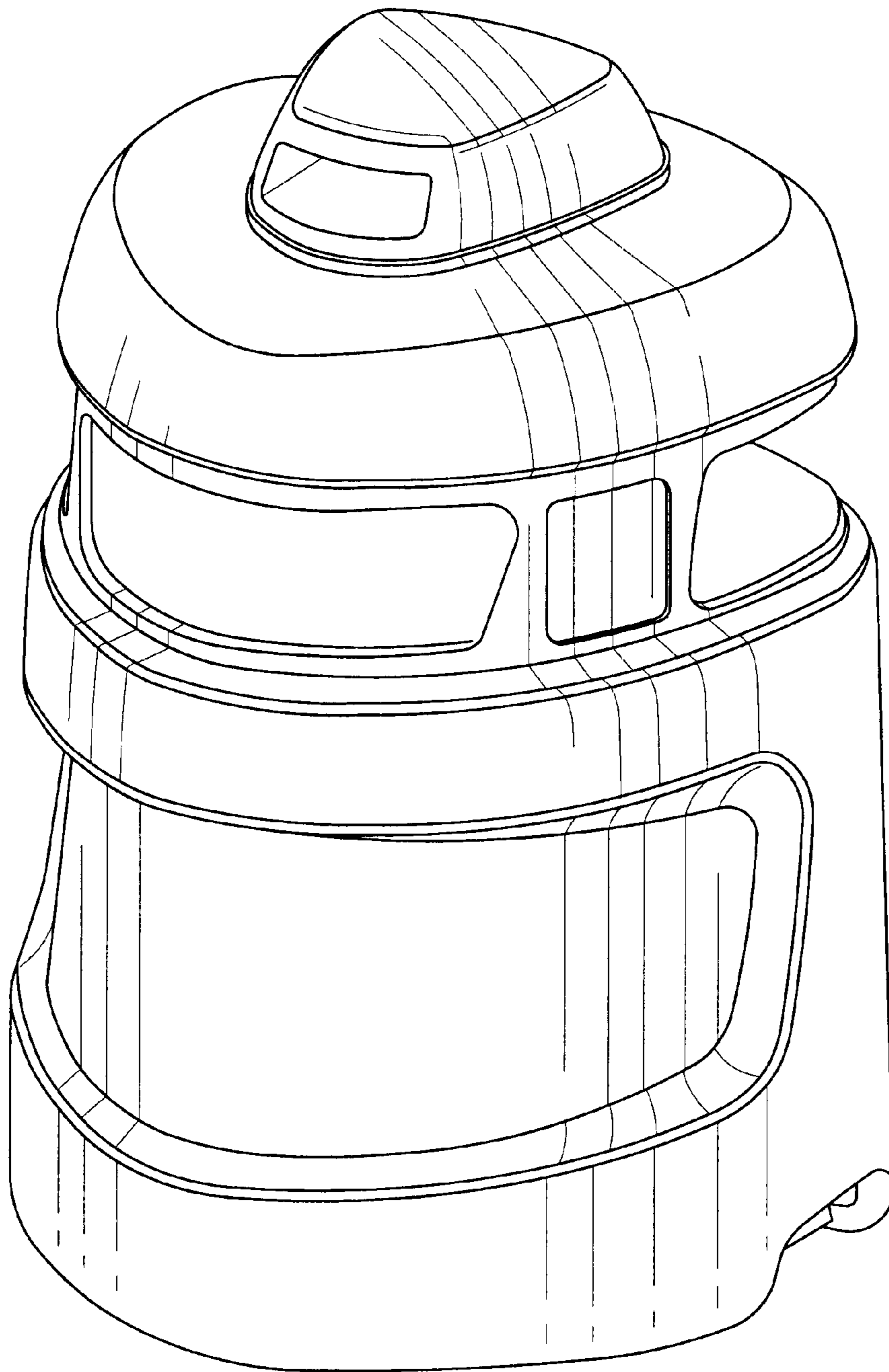


Fig-1

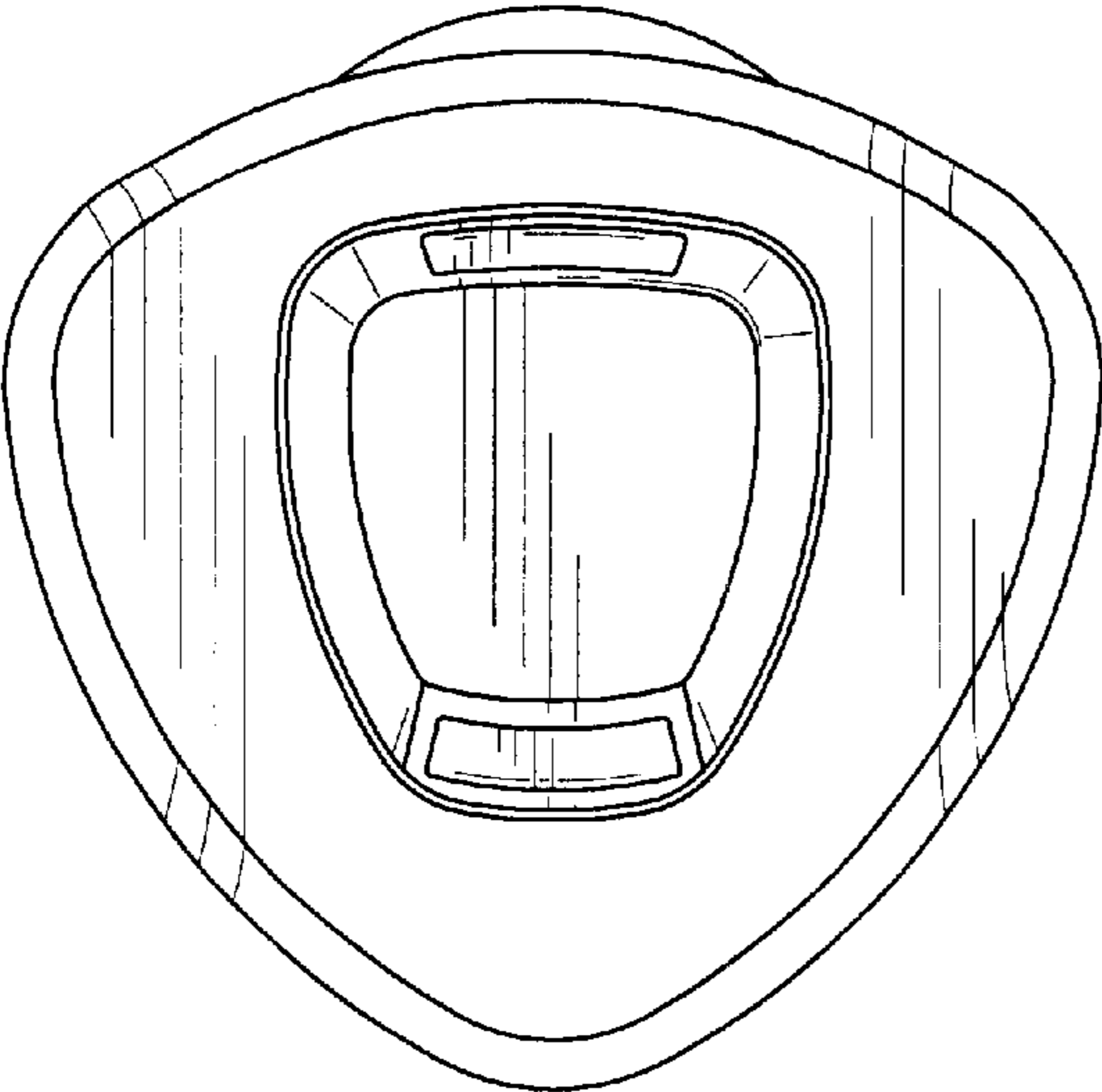


Fig-2

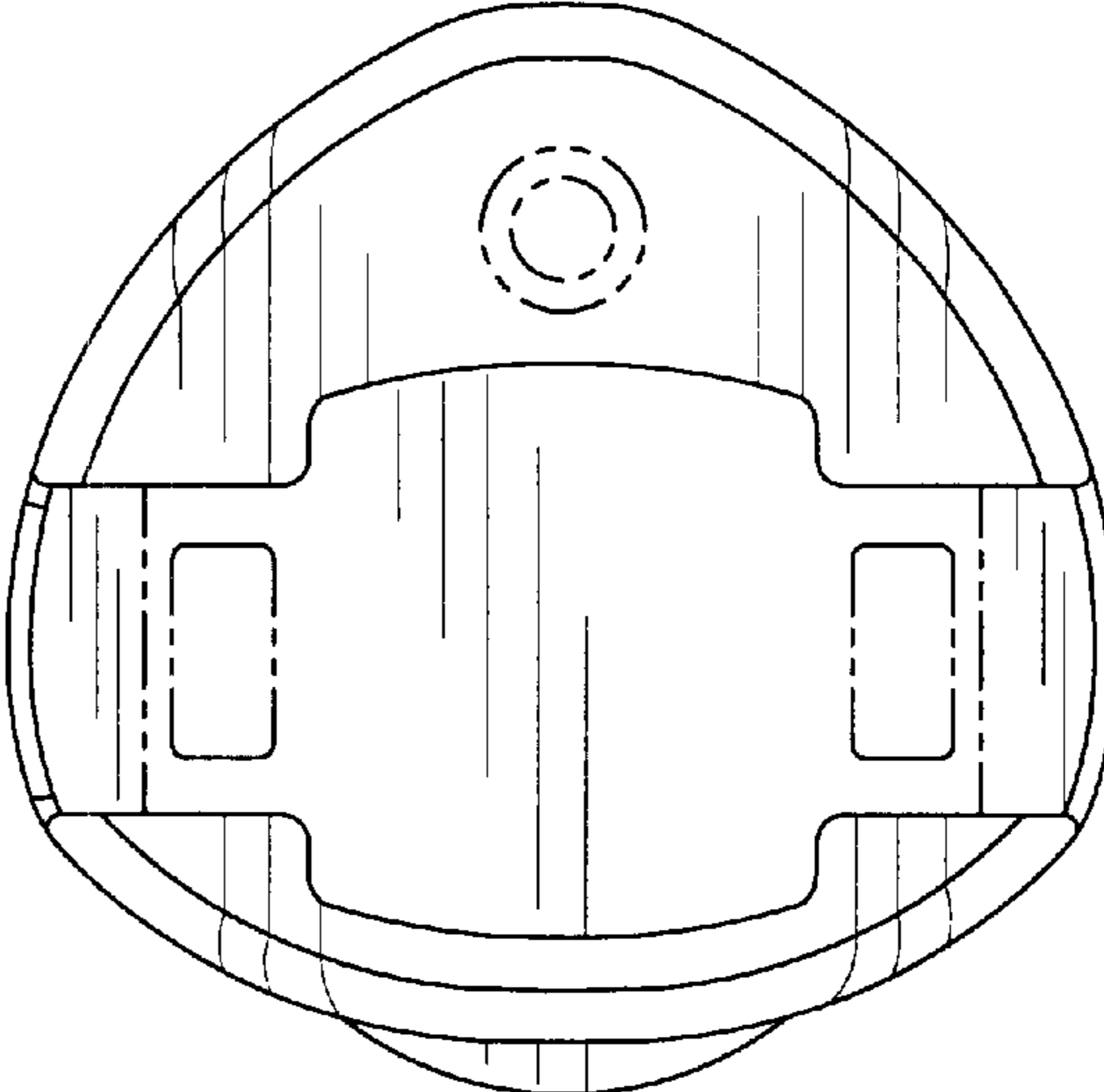


Fig-3

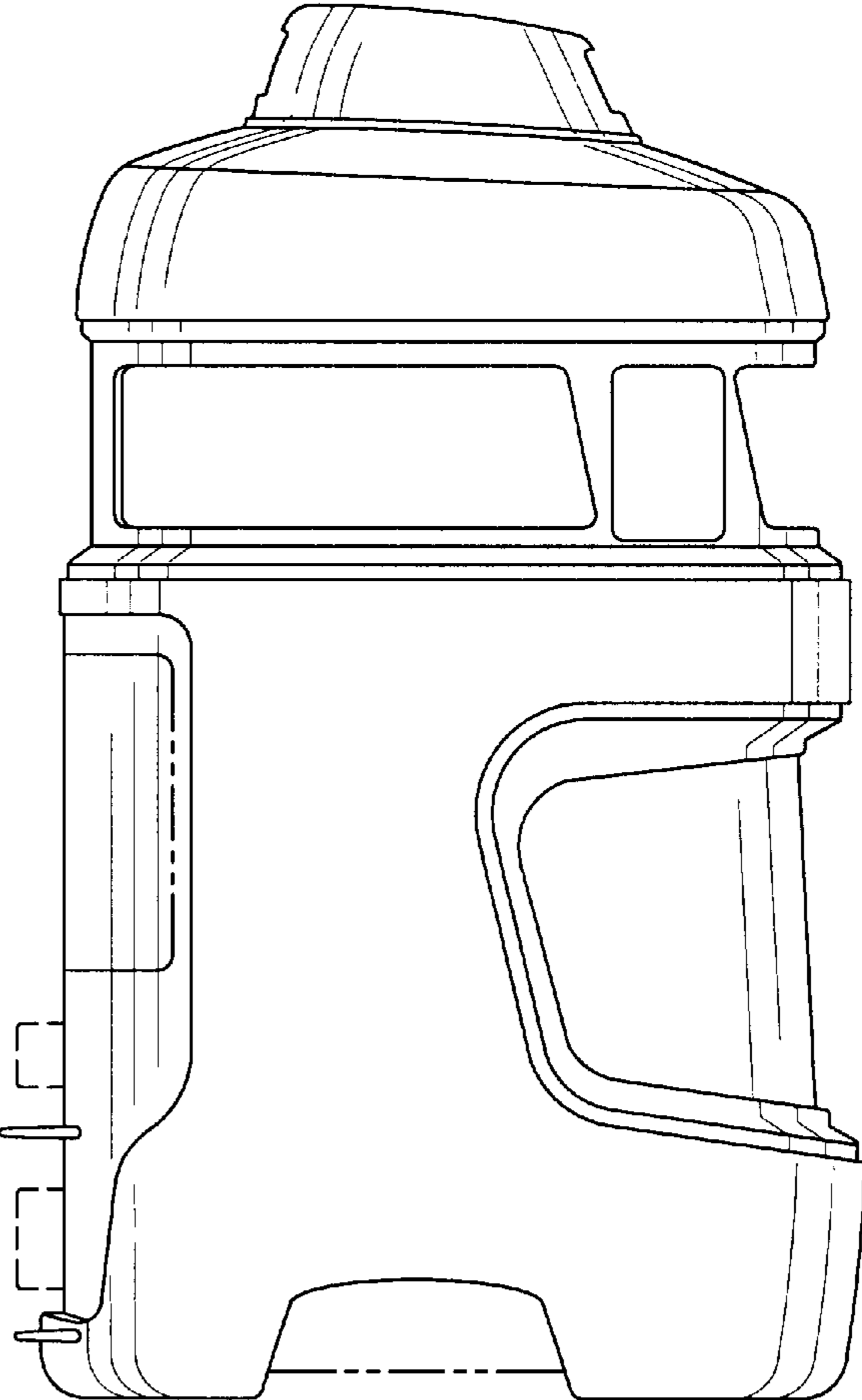


Fig-4

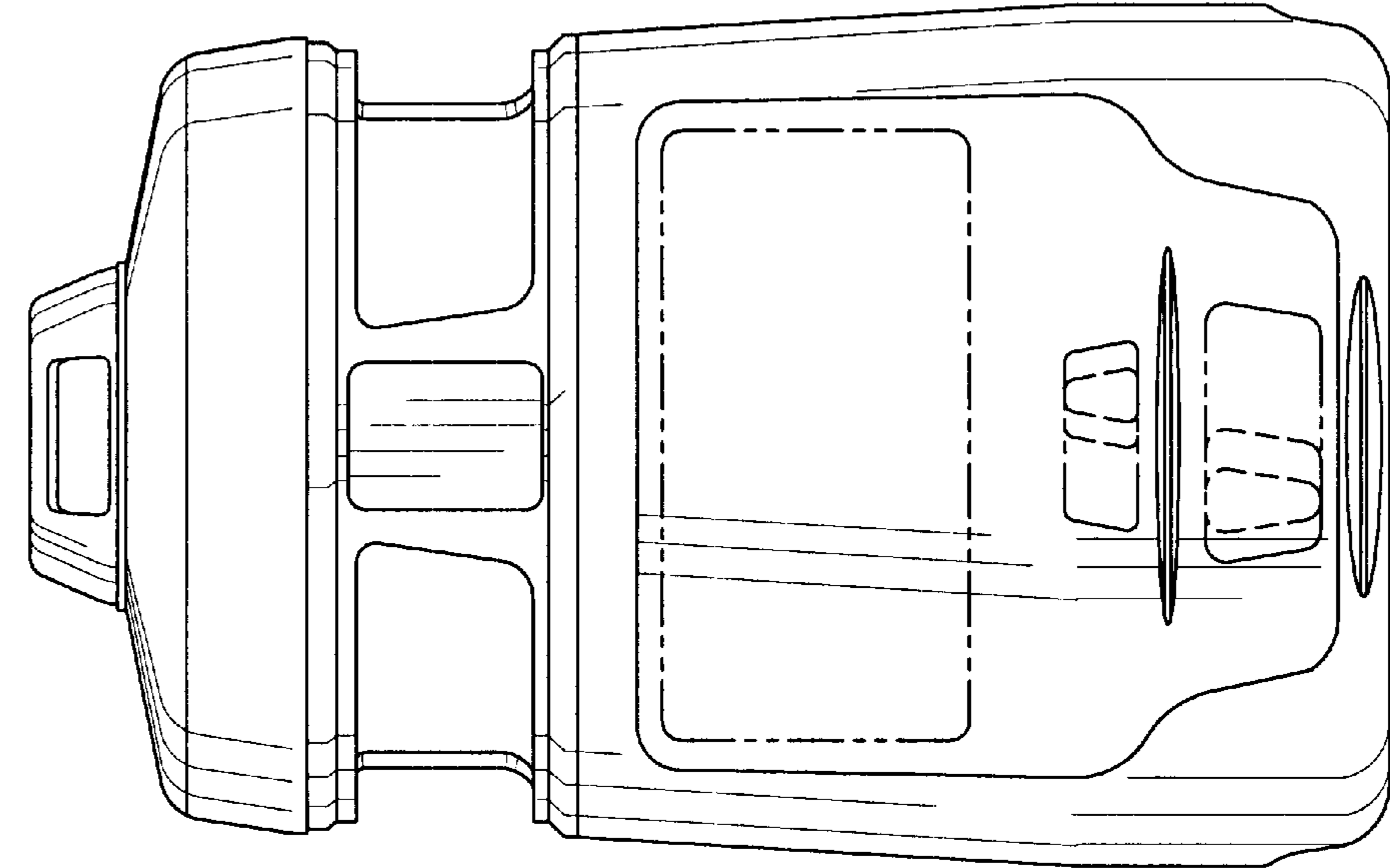


Fig-5

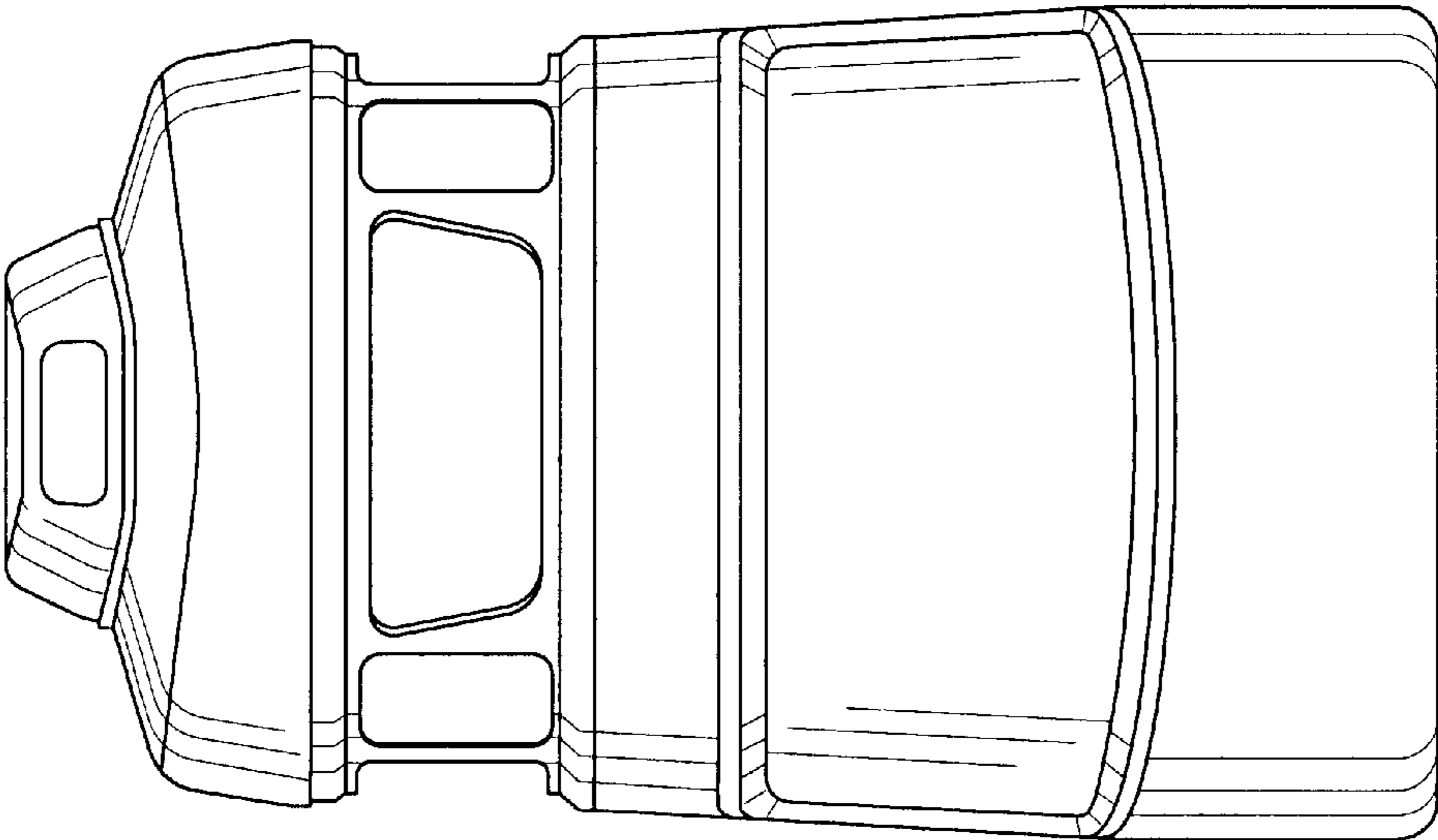


Fig-6