

US00D509162S

(12) **United States Design Patent**  
**Barnes**

(10) **Patent No.:** **US D509,162 S**

(45) **Date of Patent:** **\*\* Sep. 6, 2005**

(54) **BINGO CARD SUPPORT BOARD**

D384,592 S \* 10/1997 Siman-Tov et al. .... D11/90  
D398,552 S \* 9/1998 Siman-Tov et al. .... D11/90

(76) **Inventor:** **John Barnes**, 37514 Harrow Hills Ct.,  
Mechanicsville, MD (US) 20659

\* cited by examiner

(\*\*) **Term:** **14 Years**

*Primary Examiner*—Ralf Seifert  
(74) *Attorney, Agent, or Firm*—Goldstein Law Offices, P.C.

(21) **Appl. No.:** **29/186,176**

(57) **CLAIM**

(22) **Filed:** **Jul. 10, 2003**

The ornamental design for a bingo card support board, as shown and described.

(51) **LOC (8) Cl.** ..... **11-01**

(52) **U.S. Cl.** ..... **D11/11**

(58) **Field of Search** ..... D11/1-2, 26-29,  
D11/89-92; 63/26-28, 32

**DESCRIPTION**

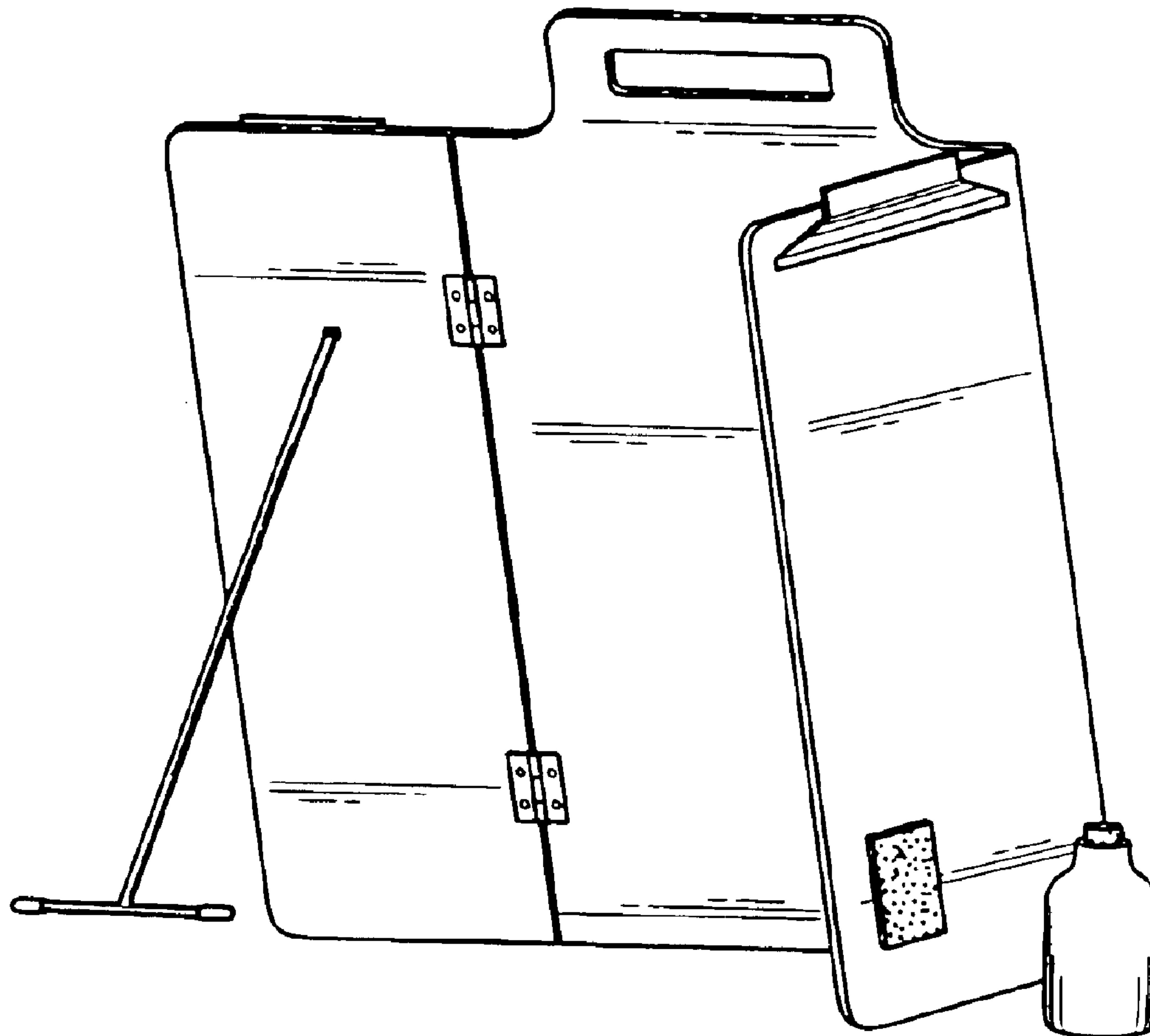
(56) **References Cited**

**U.S. PATENT DOCUMENTS**

D183,590 S	*	9/1958	Wachtenheim	.....	D11/90
4,418,913 A		12/1983	Hamilton et al.	.....	273/150
D273,372 S	*	4/1984	Gennari	.....	D11/90
4,555,084 A		11/1985	Anderson et al.	.....	248/460
4,948,139 A		8/1990	Heeszel	.....	273/148
5,054,783 A		10/1991	Hull et al.	.....	273/148
5,120,069 A		6/1992	Shaw	.....	273/309
D352,530 S		11/1994	Gauvreau	.....	D21/54

FIG. 1 is a perspective view of a bingo card support board.  
FIG. 2 is a front elevational view thereof.  
FIG. 3 is a rear elevational view thereof.  
FIG. 4 is a right side elevational view thereof.  
FIG. 5 is a left side elevational view thereof.  
FIG. 6 is a top plan view thereof.  
FIG. 7 is a bottom plan view thereof; and,  
FIG. 8 is a perspective view of the bingo card support board in full lines with a bingo card shown representing environmental association matter being for illustrative purposes only and forming no part of the claimed invention.

**1 Claim, 4 Drawing Sheets**



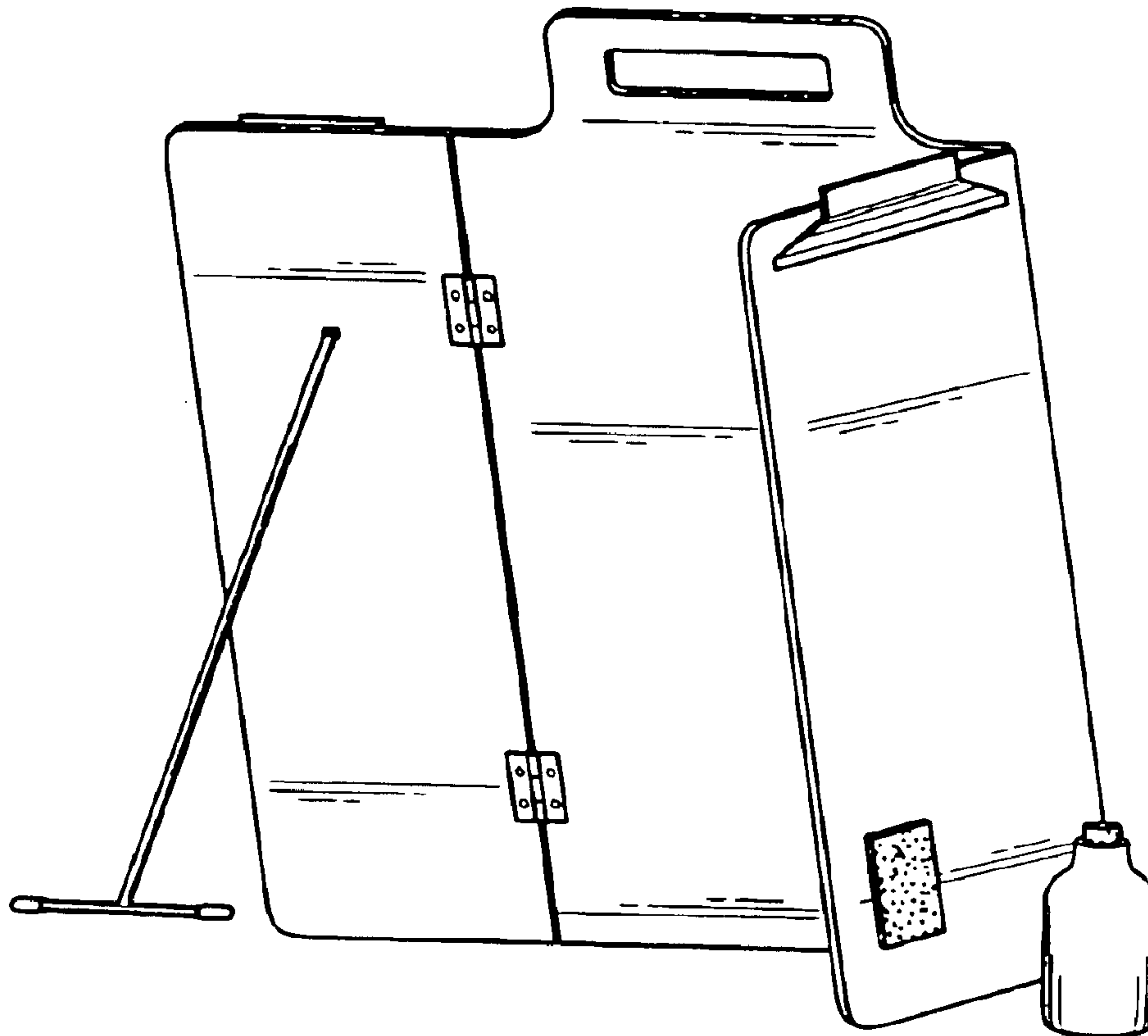


FIG. 1

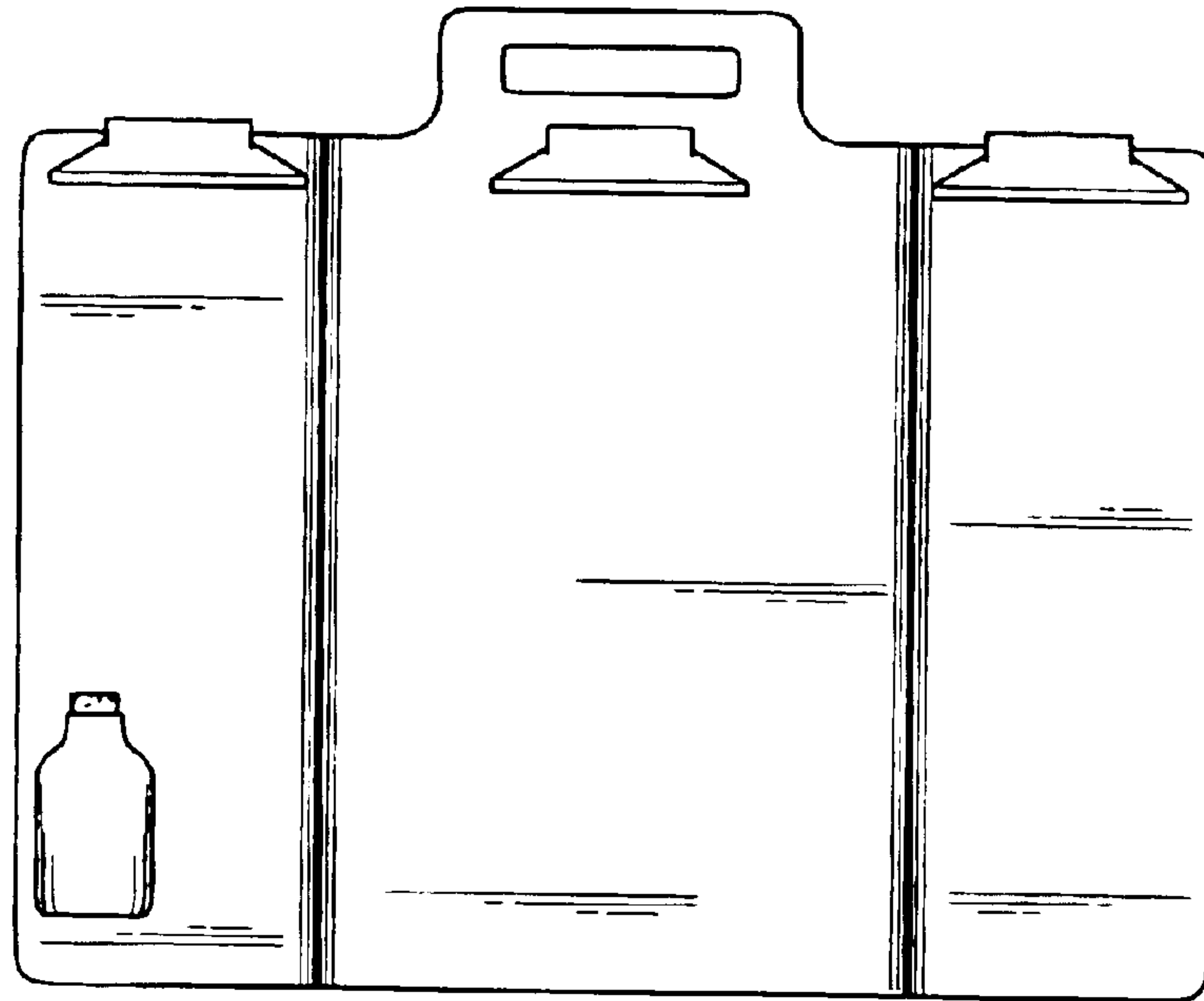


FIG. 2

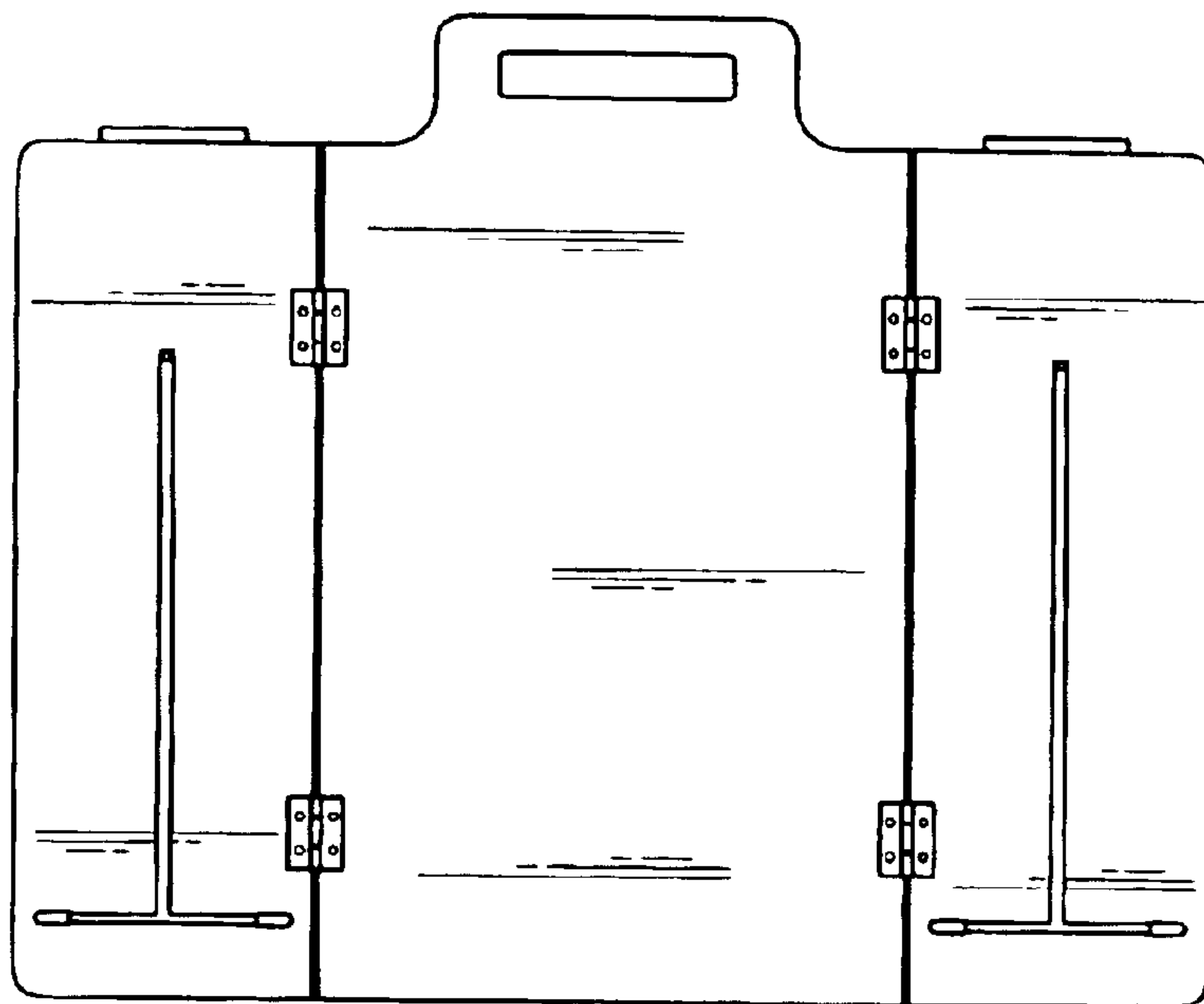


FIG. 3

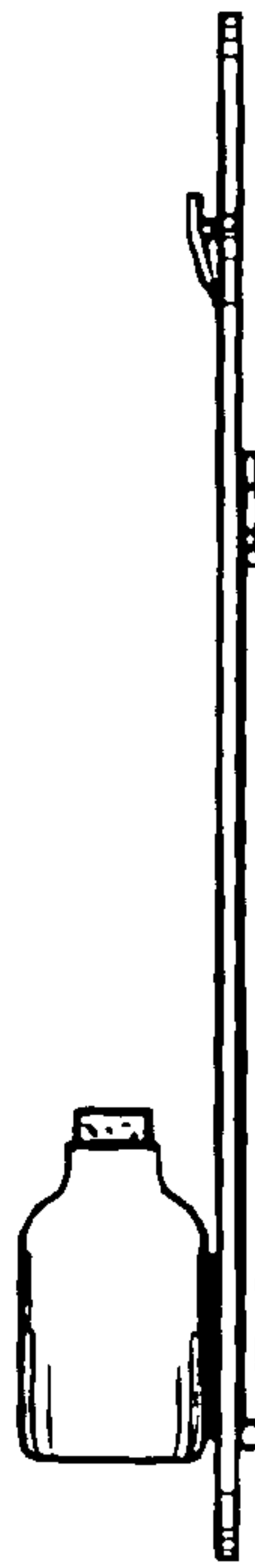


FIG. 4



FIG. 5

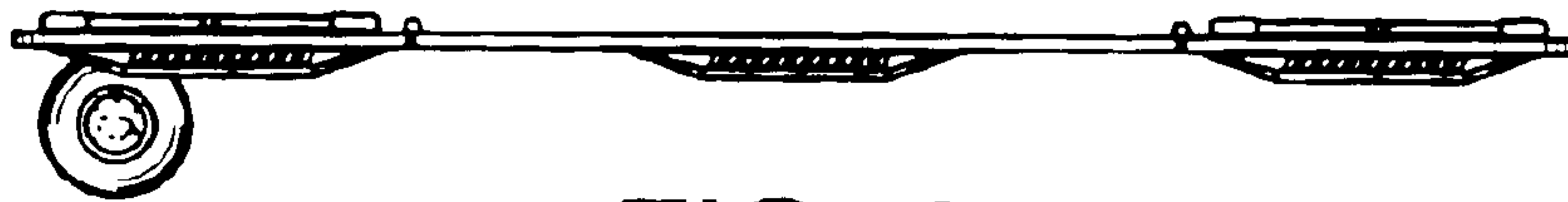


FIG. 6

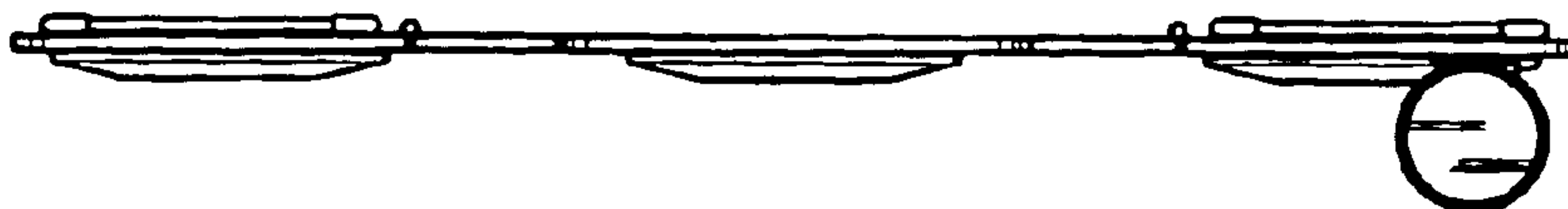


FIG. 7

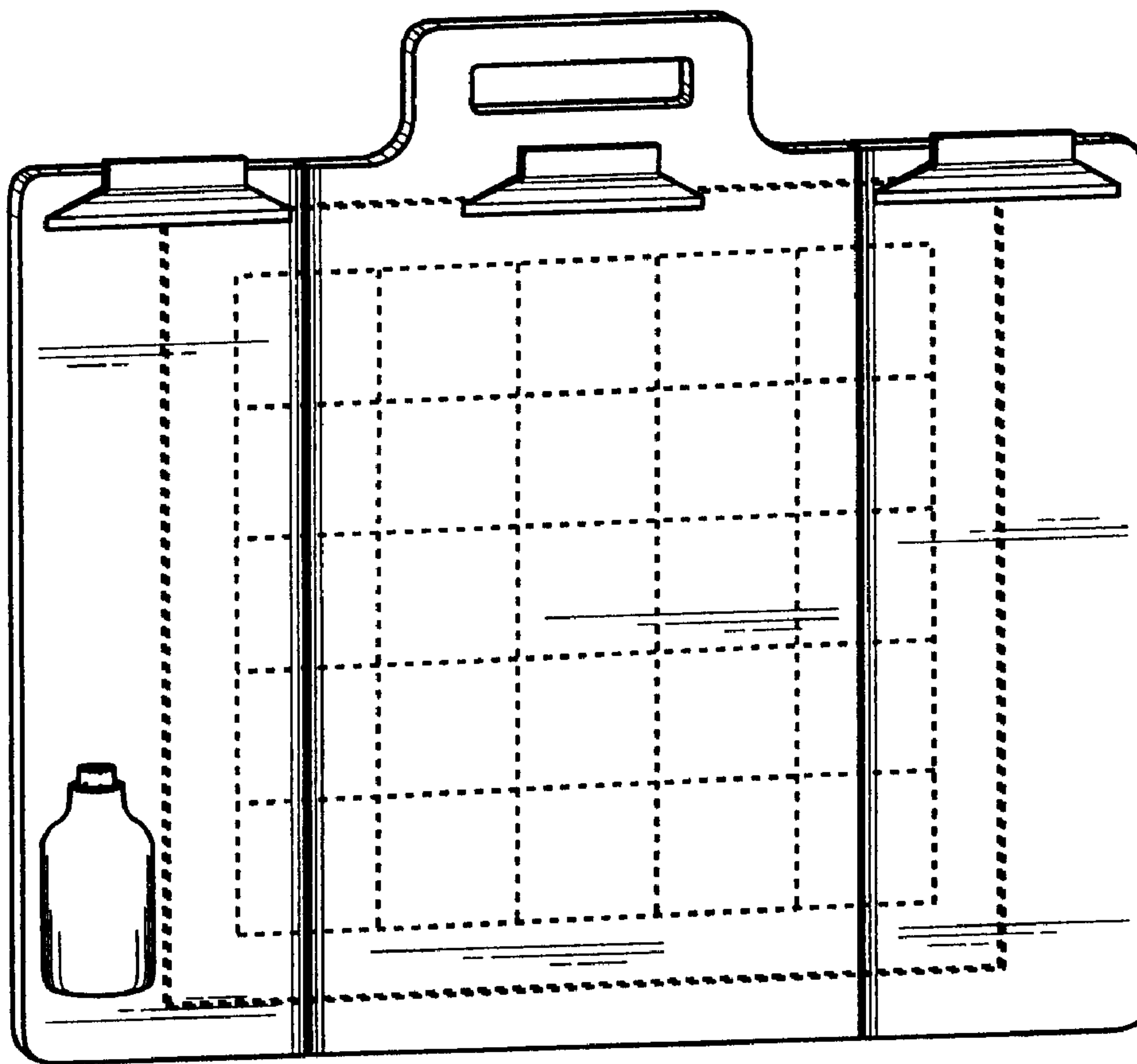


FIG. 8