



US00D509155S

(12) **United States Design Patent**
Dearing

(10) **Patent No.:** **US D509,155 S**
(45) **Date of Patent:** **** Sep. 6, 2005**

(54) **ELECTRICAL BOX LOCATOR**

Primary Examiner—Antoine D. Davis

(76) **Inventor:** **James C. Dearing**, 325 Willie D. Dr.,
Jefferson City, TN (US) 37760

(57) **CLAIM**

The ornamental design for an electrical box locator, as shown and described.

(**) **Term:** **14 Years**

(21) **Appl. No.:** **29/209,637**

DESCRIPTION

(22) **Filed:** **Jul. 19, 2004**

(51) **LOC (8) Cl.** **10-04**

FIG. 1 is a perspective view of an electrical box locator of the present invention;

(52) **U.S. Cl.** **D10/64**

FIG. 2 is a front view thereof; rear

(58) **Field of Search** D10/64; 33/464,
33/528, DIG. 10; 52/127.1, 741.1, 904;
269/2, 86-87, 87.2, 903-904

FIG. 3 is a left side view thereof;

FIG. 4 is a top plan view thereof;

FIG. 5 is a bottom plan view thereof;

(56) **References Cited**

U.S. PATENT DOCUMENTS

FIG. 6 is a rear view thereof; and,

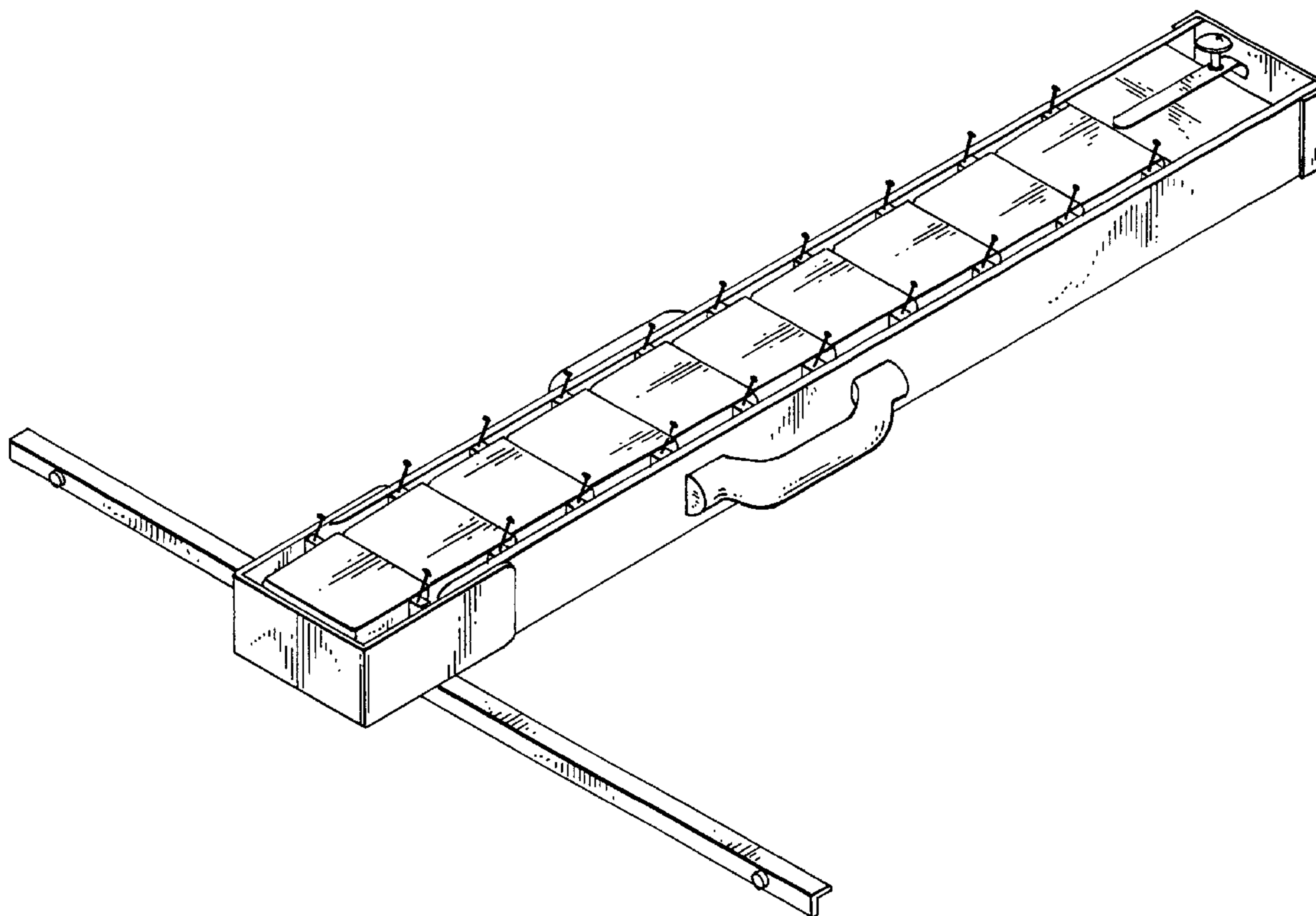
FIG. 7 is a left side view thereof.

D313,945 S * 1/1991 Thomas et al. D10/64

D314,520 S * 2/1991 Hass D10/64

* cited by examiner

1 Claim, 4 Drawing Sheets



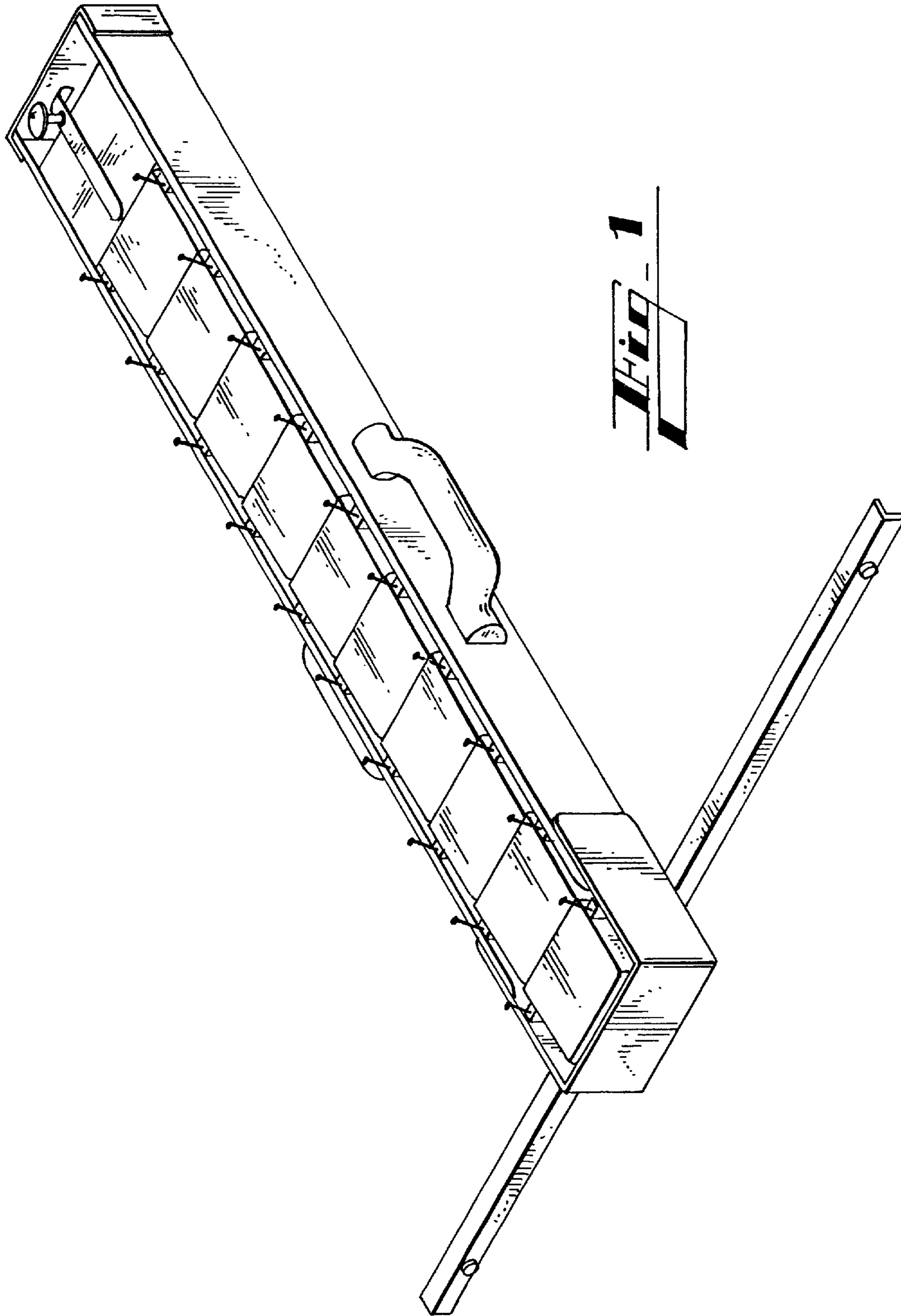
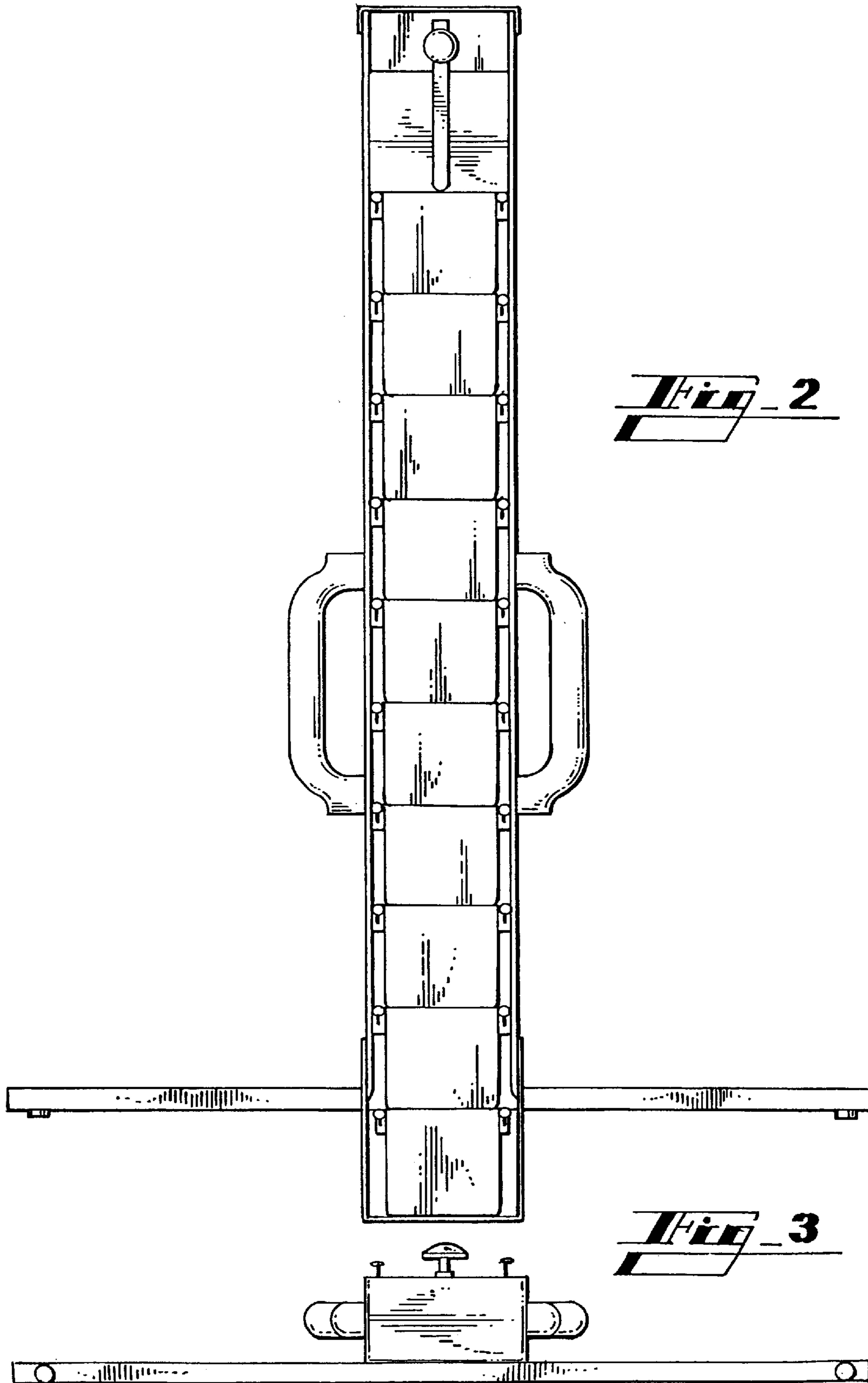


Fig. 1



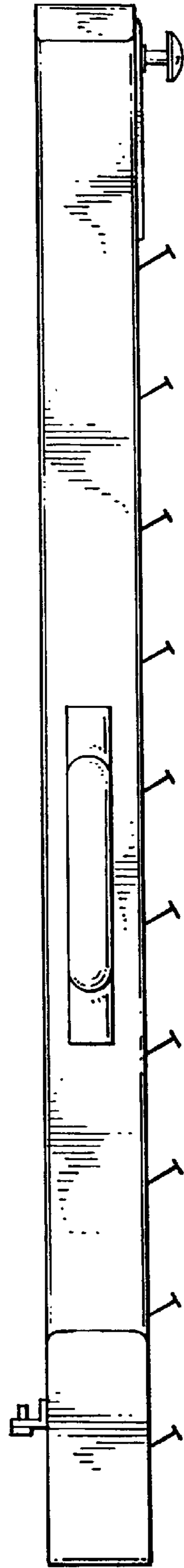


Fig. 4

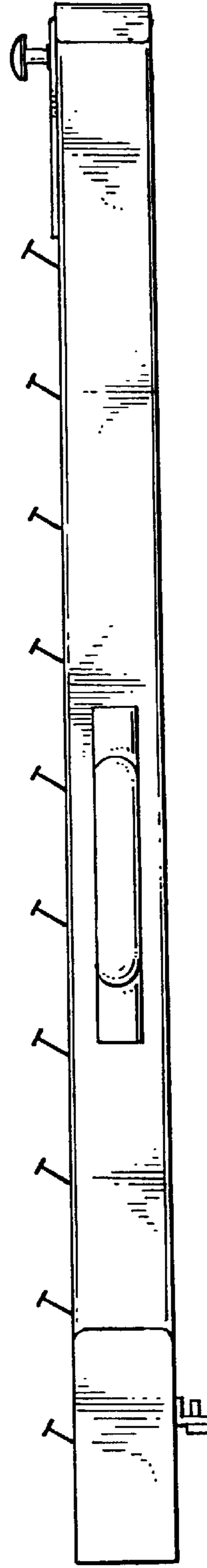


Fig. 5

