



US00D509154S

(12) **United States Design Patent**  
Tomioka et al.

(10) **Patent No.:** **US D509,154 S**  
(45) **Date of Patent:** **\*\* Sep. 6, 2005**

(54) **ELECTRONIC THERMOMETER**

(75) Inventors: **Masaki Tomioka**, Kyoto (JP);  
**Hiroyuki Ota**, Osaka (JP); **So Noguchi**,  
Osaka (JP)

(73) Assignee: **Omron Healthcare Co., Ltd.**, Kyoto  
(JP)

(\*\*) Term: **14 Years**

(21) Appl. No.: **29/211,360**

(22) Filed: **Aug. 16, 2004**

(30) **Foreign Application Priority Data**

Feb. 17, 2004 (JP) ..... 2004-004042

(51) **LOC (8) Cl.** ..... **10-04**

(52) **U.S. Cl.** ..... **D10/57**

(58) **Field of Search** ..... D10/57; 33/121,  
33/129, 131, 133, 158, 208; 600/474, 549

(56) **References Cited**

**U.S. PATENT DOCUMENTS**

D388,343 S \* 12/1997 Yamauchi et al. .... D10/57  
D419,462 S \* 1/2000 Lin ..... D10/57  
D445,699 S \* 7/2001 Lin ..... D10/57  
6,386,757 B1 \* 5/2002 Konno ..... 374/158

6,435,712 B1 \* 8/2002 Ota ..... 374/131  
6,485,433 B1 \* 11/2002 Peng ..... 600/549  
6,626,568 B2 \* 9/2003 Sato et al. .... 374/121  
6,832,989 B2 \* 12/2004 Sato et al. .... 600/549

\* cited by examiner

*Primary Examiner*—Antoine D. Davis

(74) *Attorney, Agent, or Firm*—Dickstein Shapiro Morin &  
Oshinsky LLP

(57) **CLAIM**

The ornamental design for an electronic thermometer, as  
shown and described.

**DESCRIPTION**

FIG. 1 is a perspective view illustrating a first embodiment  
of our new design for an electronic thermometer;

FIG. 2 is a front elevational view of the electronic thermom-  
eter of FIG. 1;

FIG. 3 is a rear elevational view of the electronic thermom-  
eter of FIG. 1;

FIG. 4 is a top plan view of the electronic thermometer of  
FIG. 1;

FIG. 5 is a bottom plan view of the electronic thermometer  
of FIG. 1; and,

FIG. 6 is a right side elevational view of the electronic  
thermometer of FIG. 1.

**1 Claim, 6 Drawing Sheets**

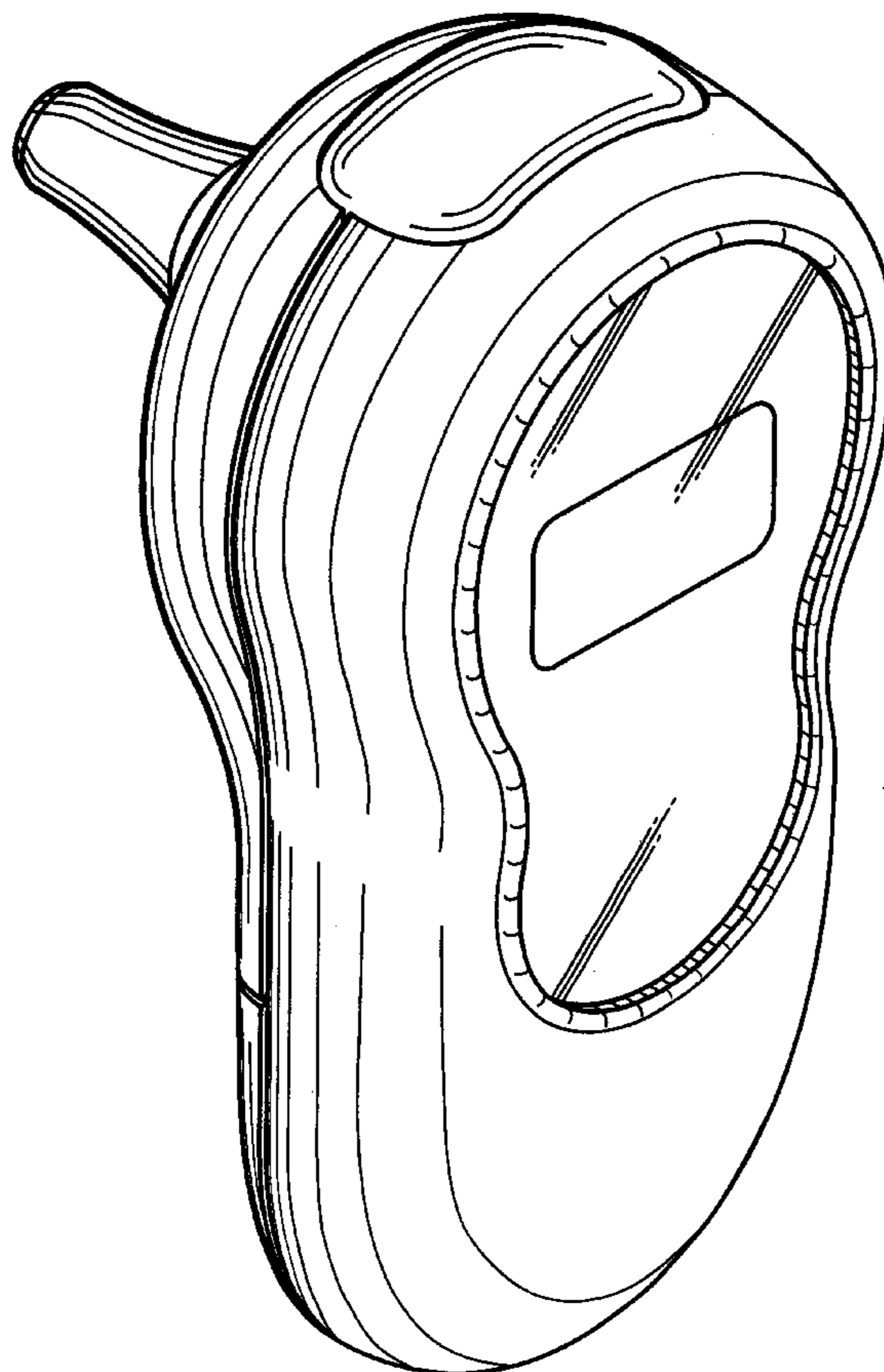


Fig. 1

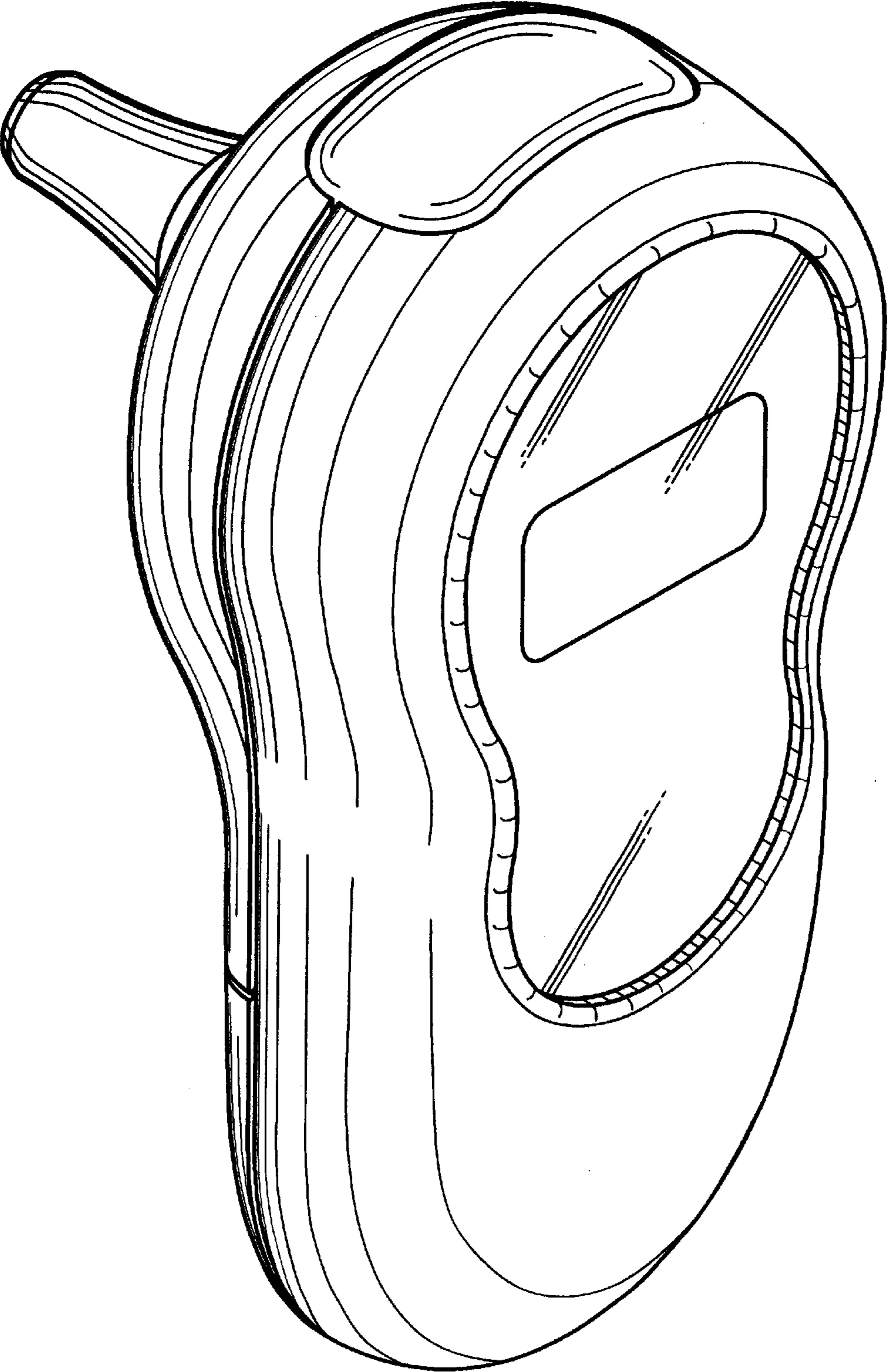


Fig. 2

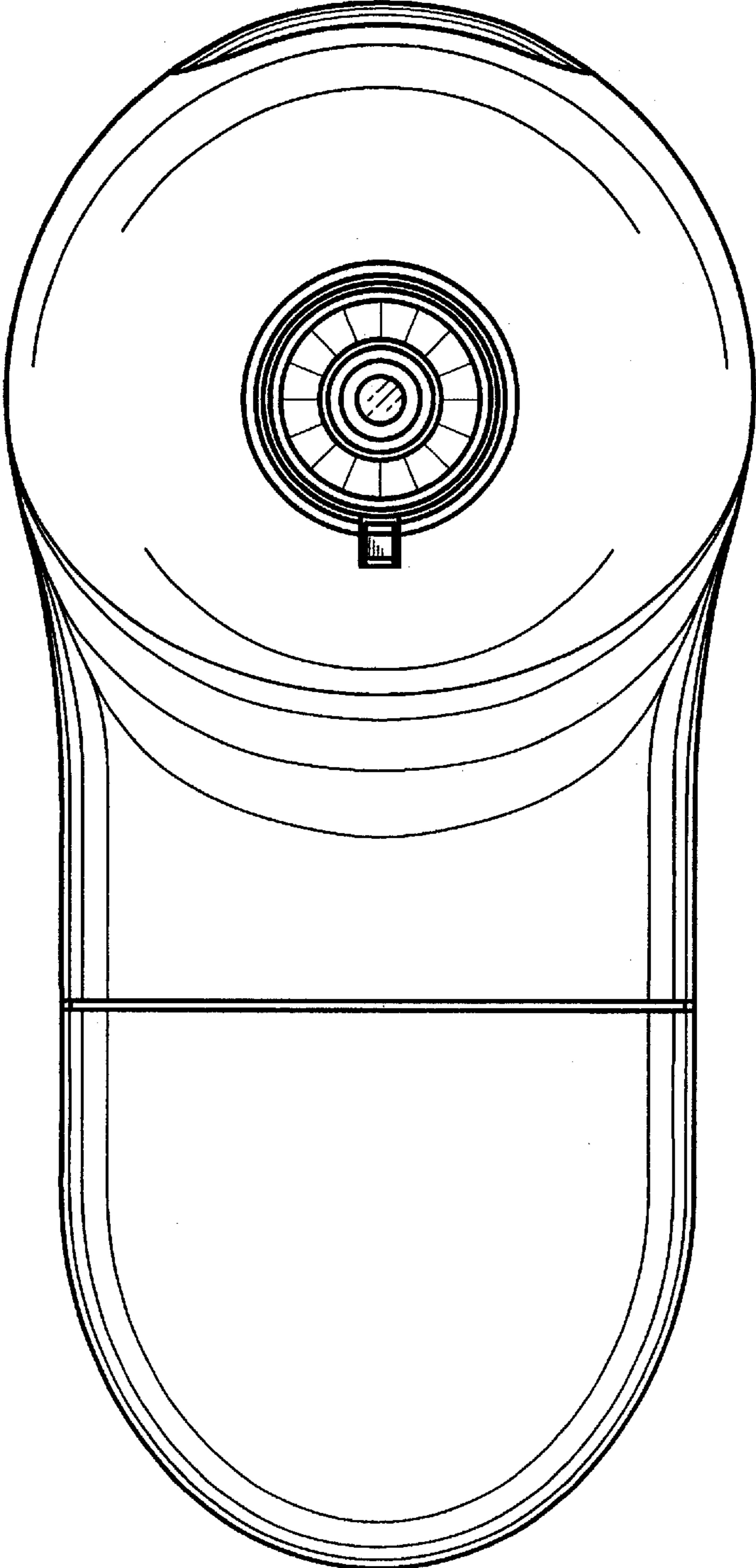


Fig. 3

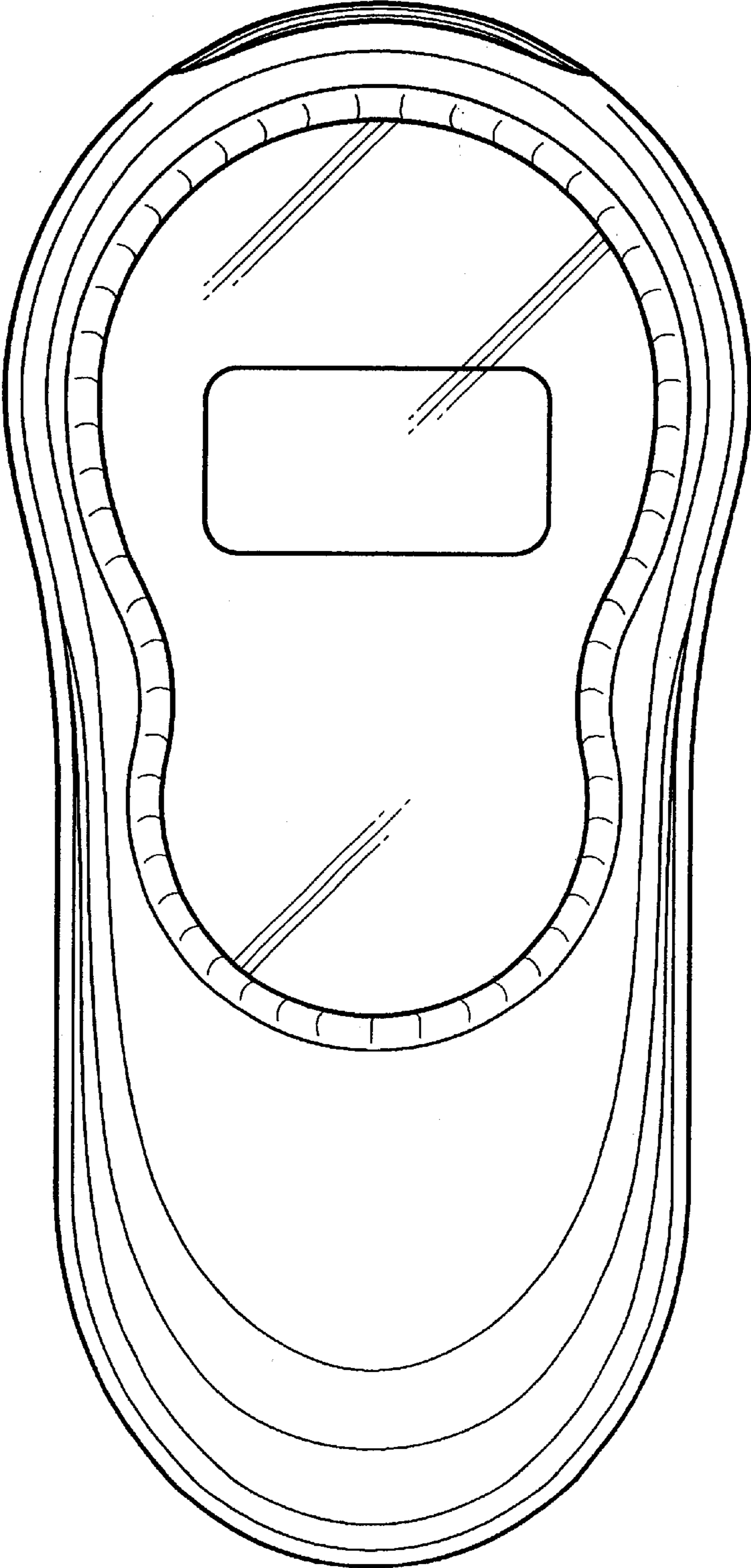


Fig. 4

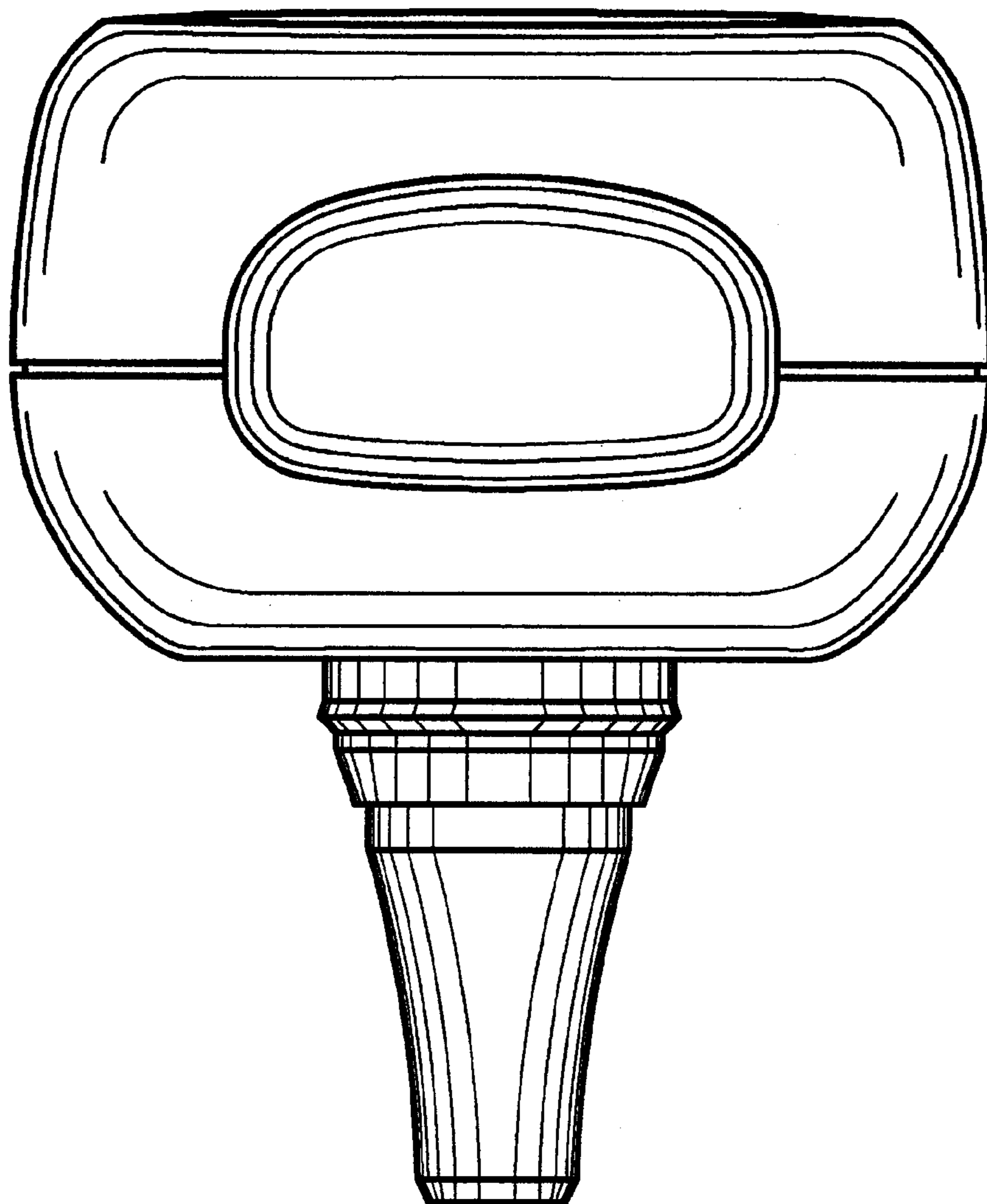




Fig. 5

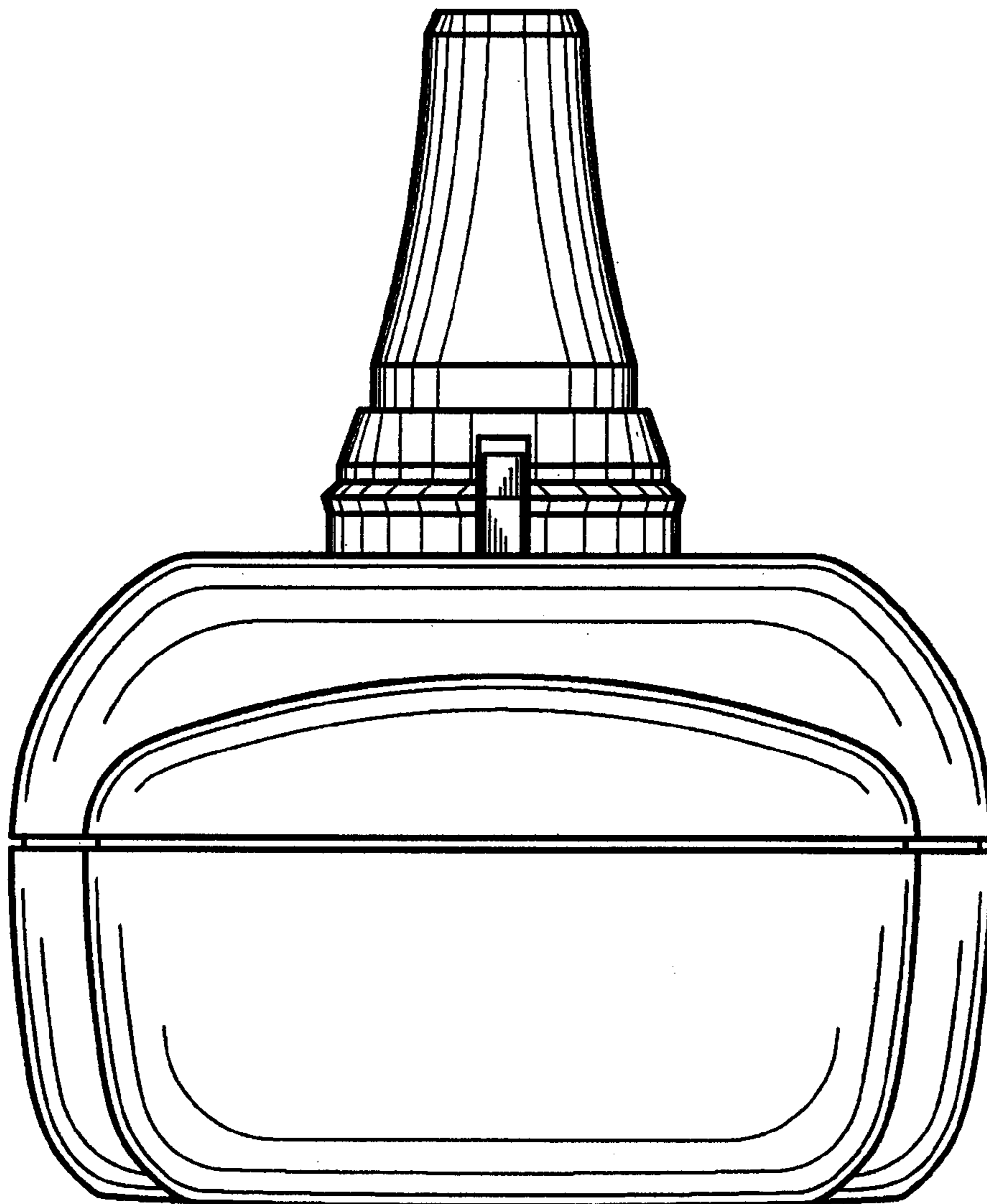


Fig. 6

