

US00D509152S

(12) **United States Design Patent**  
**Morikawa et al.**

(10) **Patent No.:** **US D509,152 S**  
(45) **Date of Patent:** **\*\* Sep. 6, 2005**

(54) **TEMPERATURE SENSOR**

6,564,545 B1 \* 5/2003 Dong ..... 60/289  
6,640,758 B2 \* 11/2003 Ashida ..... 123/90.15

(75) Inventors: **Akihiko Morikawa**, Tokyo (JP);  
**Harumasa Shibata**, Tokyo (JP)

**FOREIGN PATENT DOCUMENTS**

(73) Assignee: **Mitsubishi Denki Kabushiki Kaisha**,  
Tokyo (JP)

JP 4-122826 A 4/1992

(\*\*) Term: **14 Years**

\* cited by examiner

*Primary Examiner*—Antoine D. Davis  
(74) *Attorney, Agent, or Firm*—Sughrue Mion, PLLC

(21) Appl. No.: **29/202,783**

(57) **CLAIM**

(22) Filed: **Apr. 6, 2004**

The ornamental design for a temperature sensor, as shown and described.

(30) **Foreign Application Priority Data**

**DESCRIPTION**

Oct. 8, 2003 (JP) ..... 2003-029706

(51) **LOC (8) Cl.** ..... **10-04**

FIG. 1 is a front, top and left side perspective view of a temperature sensor, showing our new design;  
FIG. 2 is a front elevational view thereof;  
FIG. 3 is a rear elevational view thereof;  
FIG. 4 is a top plan view thereof; the bottom plan view is omitted as that is identical to the top plan view thereof;  
FIG. 5 is a right side elevational view thereof;  
FIG. 6 is a left side elevational view thereof; and,  
FIG. 7 is a cross-sectional view thereof, taken along line 7—7 of FIG. 6, with the internal system omitted.

(52) **U.S. Cl.** ..... **D10/52**

(58) **Field of Search** ..... 60/289, 298, 320,  
60/599; 123/90.15–90.31, 41.29–41.44,  
563, 145.5 R, 556; 165/51–52; D10/52,  
60

(56) **References Cited**

**U.S. PATENT DOCUMENTS**

D343,130 S \* 1/1994 Gambill et al. .... D10/52  
6,499,298 B2 \* 12/2002 Uzkan ..... 60/599

**1 Claim, 3 Drawing Sheets**

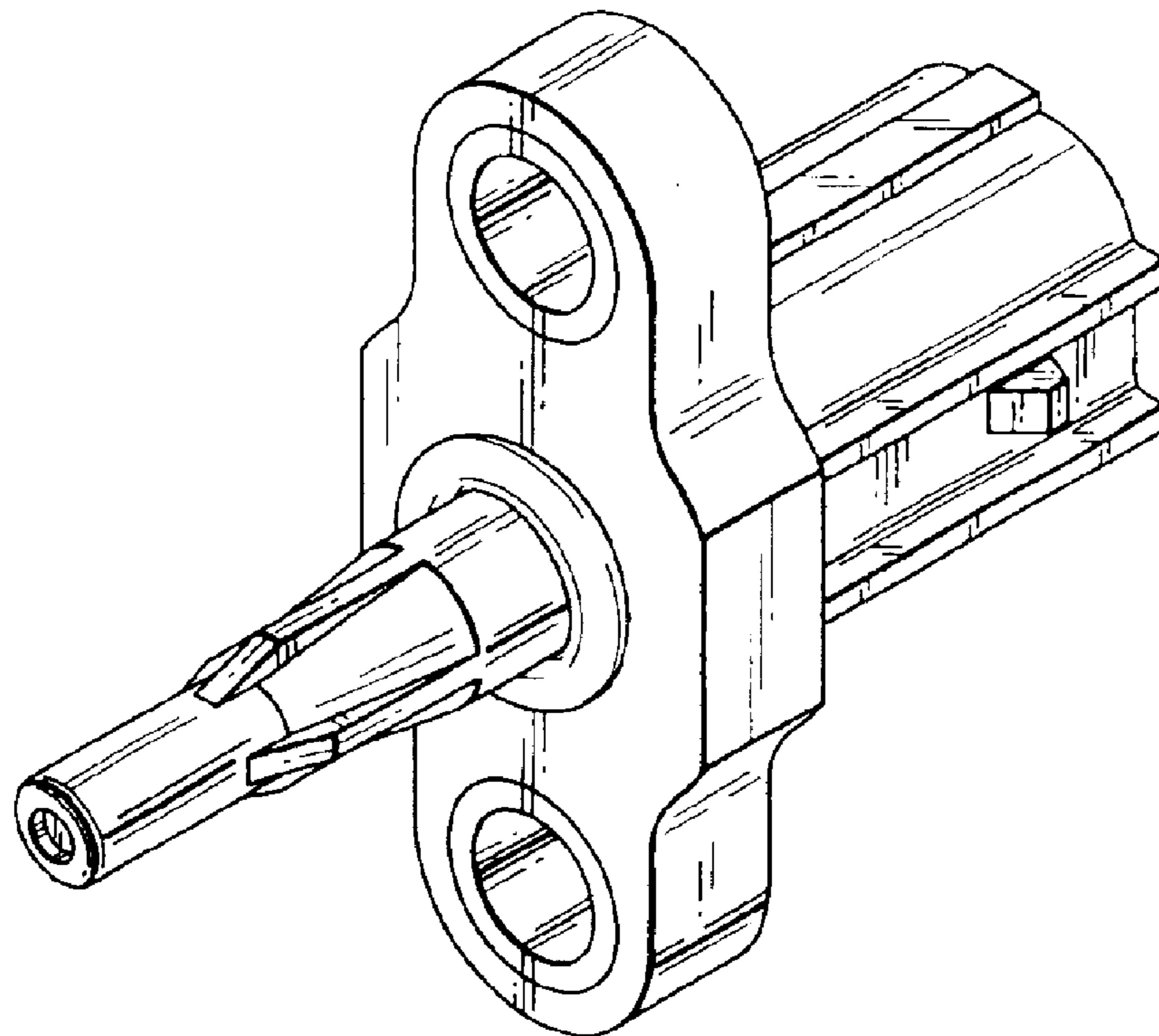


FIG. 1

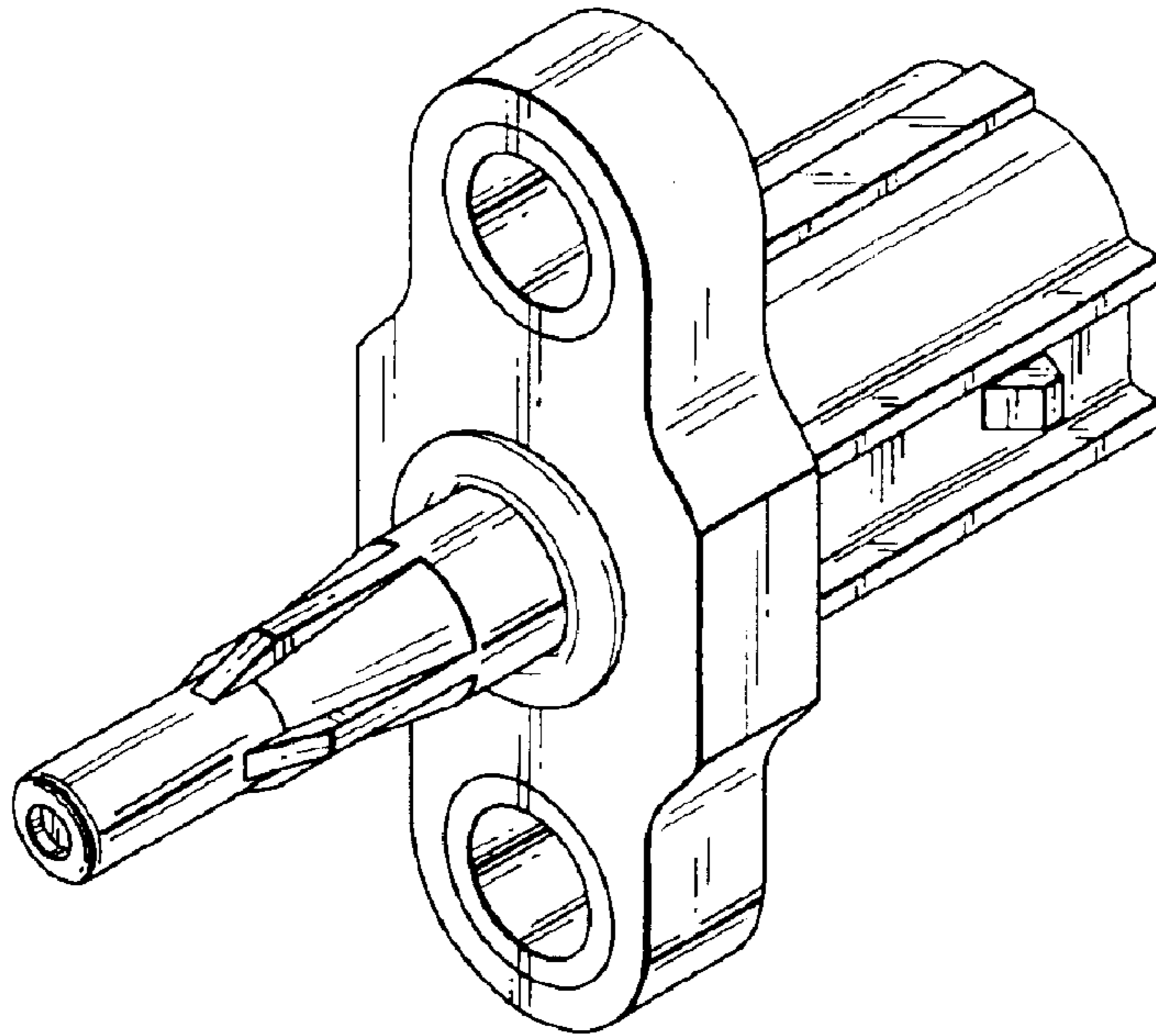


FIG. 2

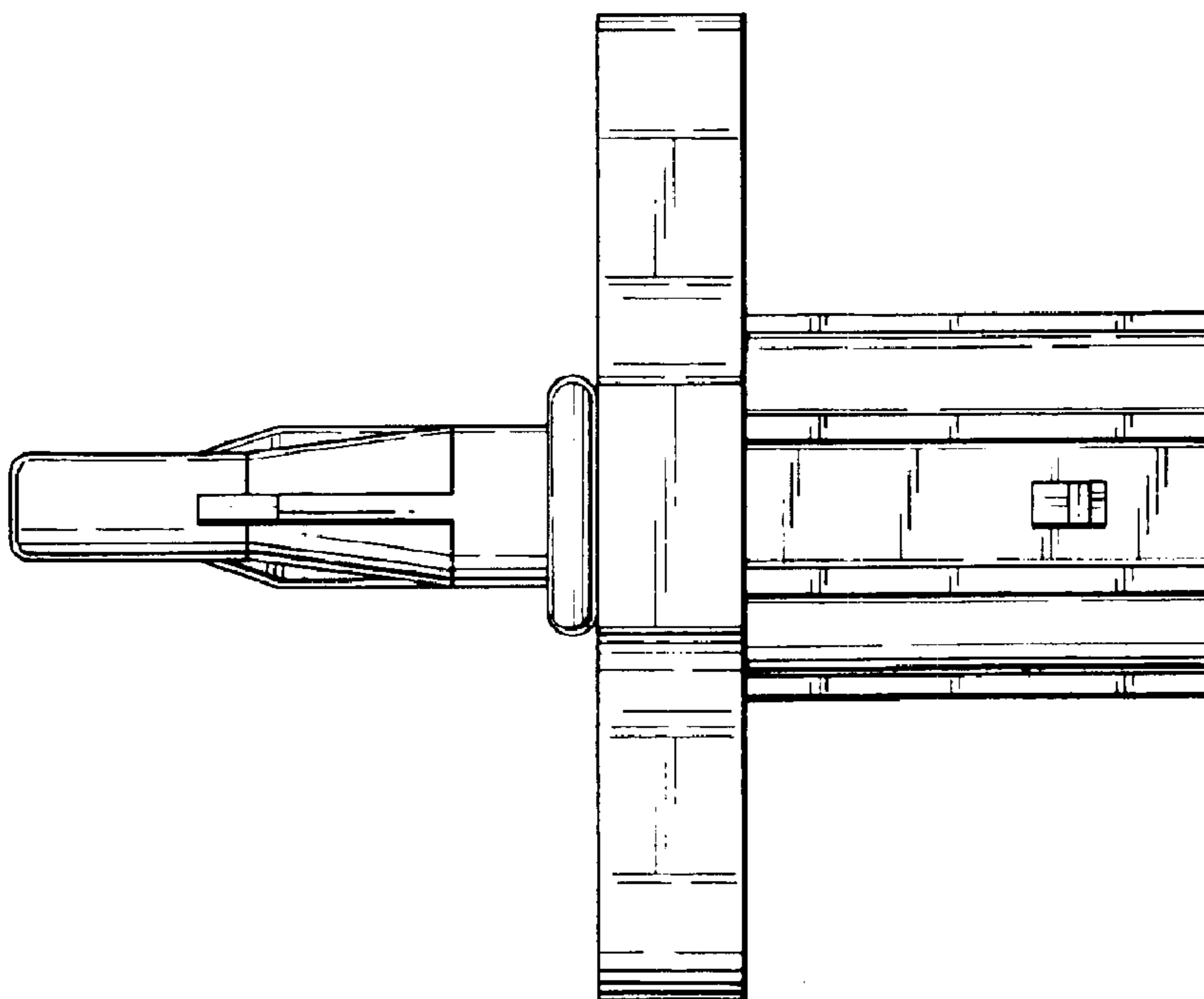


FIG. 3

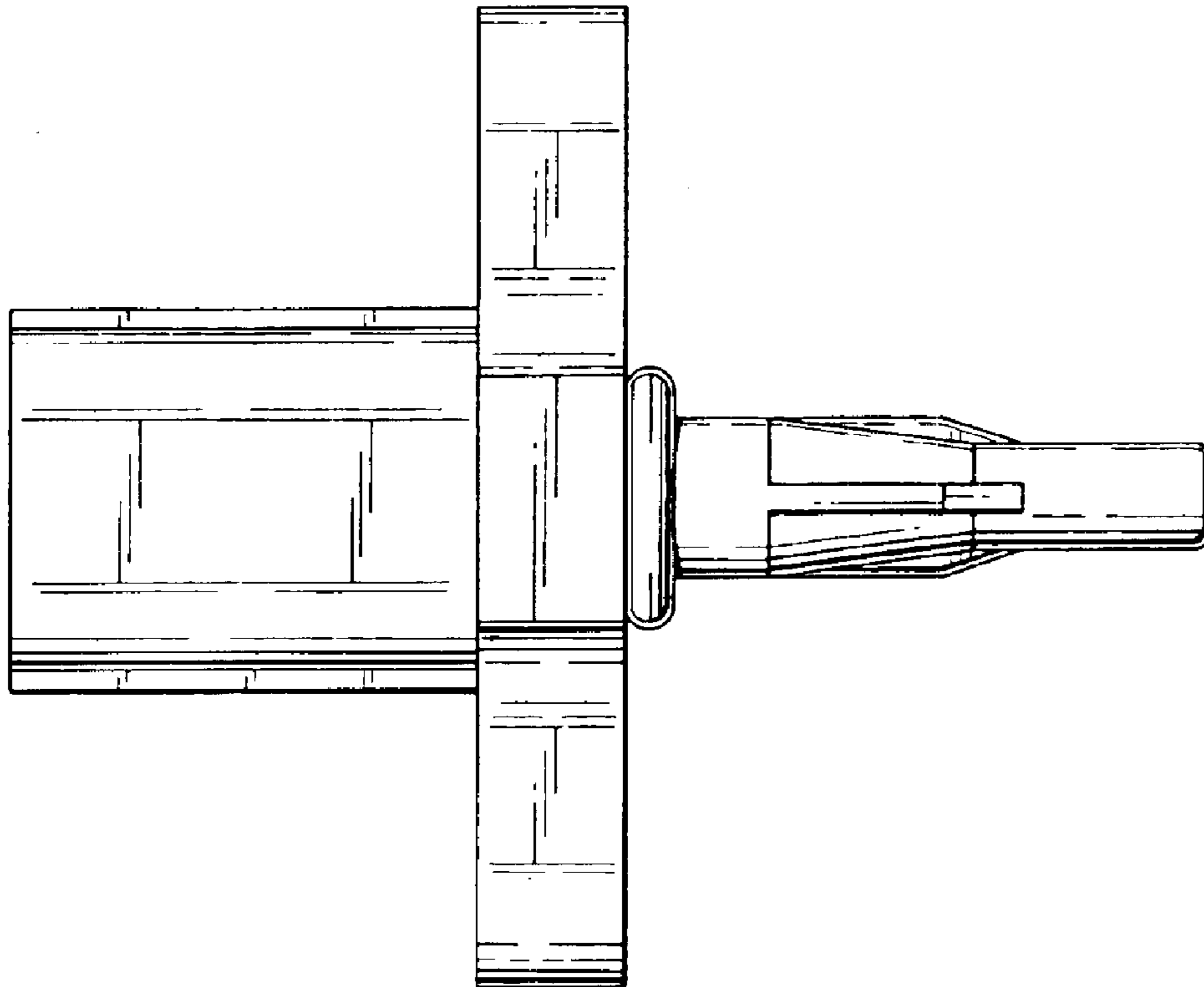


FIG. 4

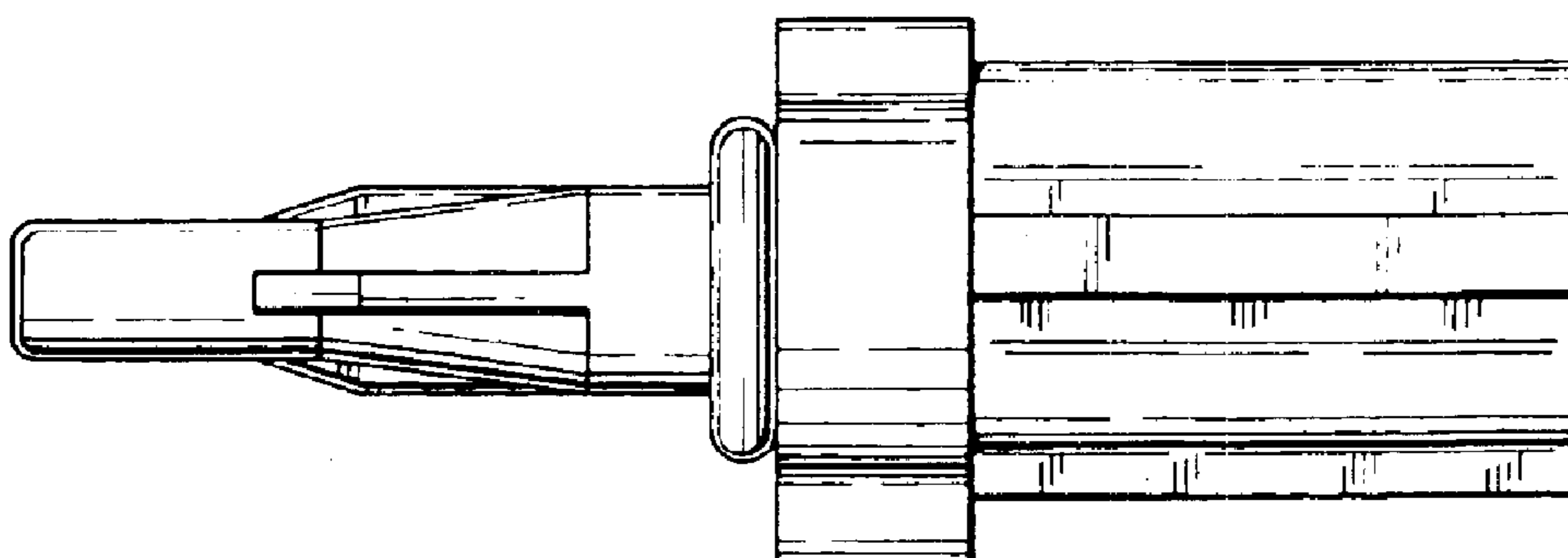


FIG. 5

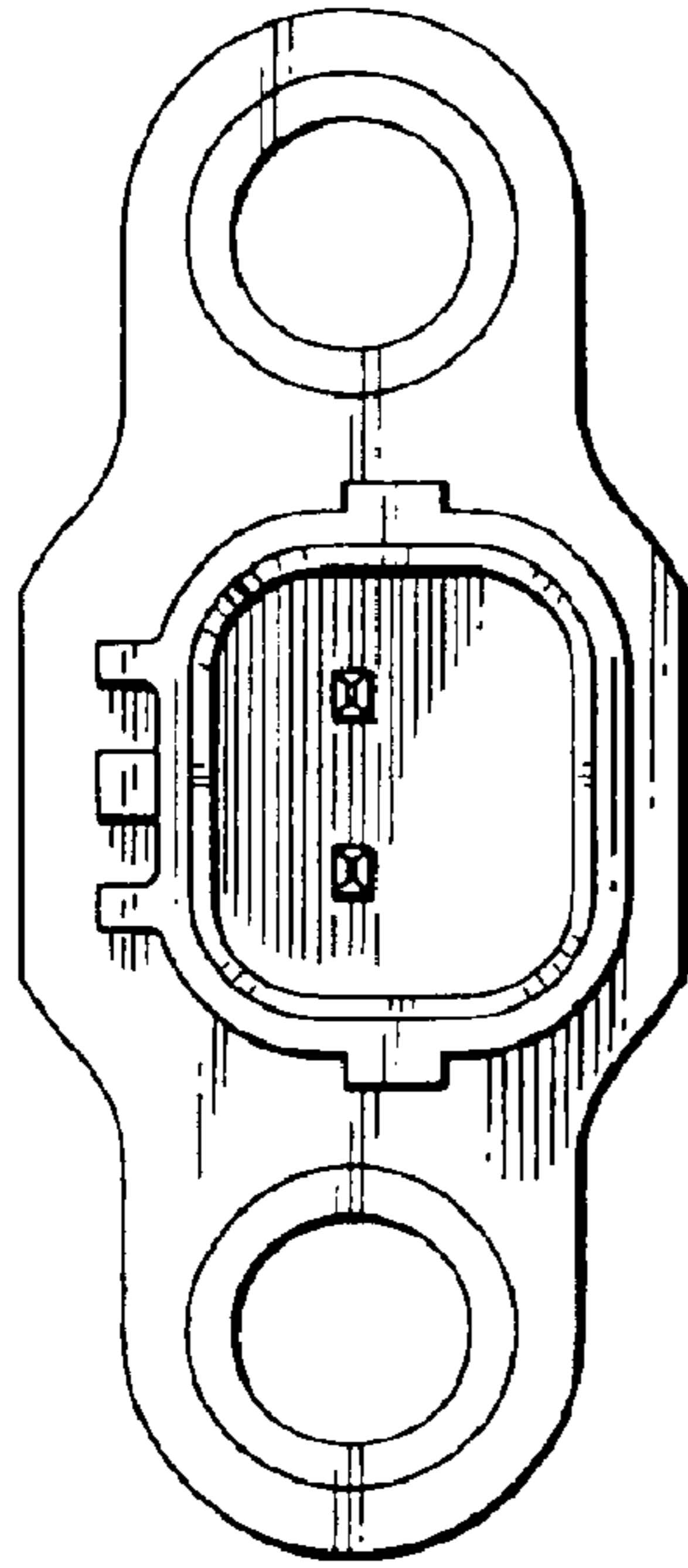


FIG. 6

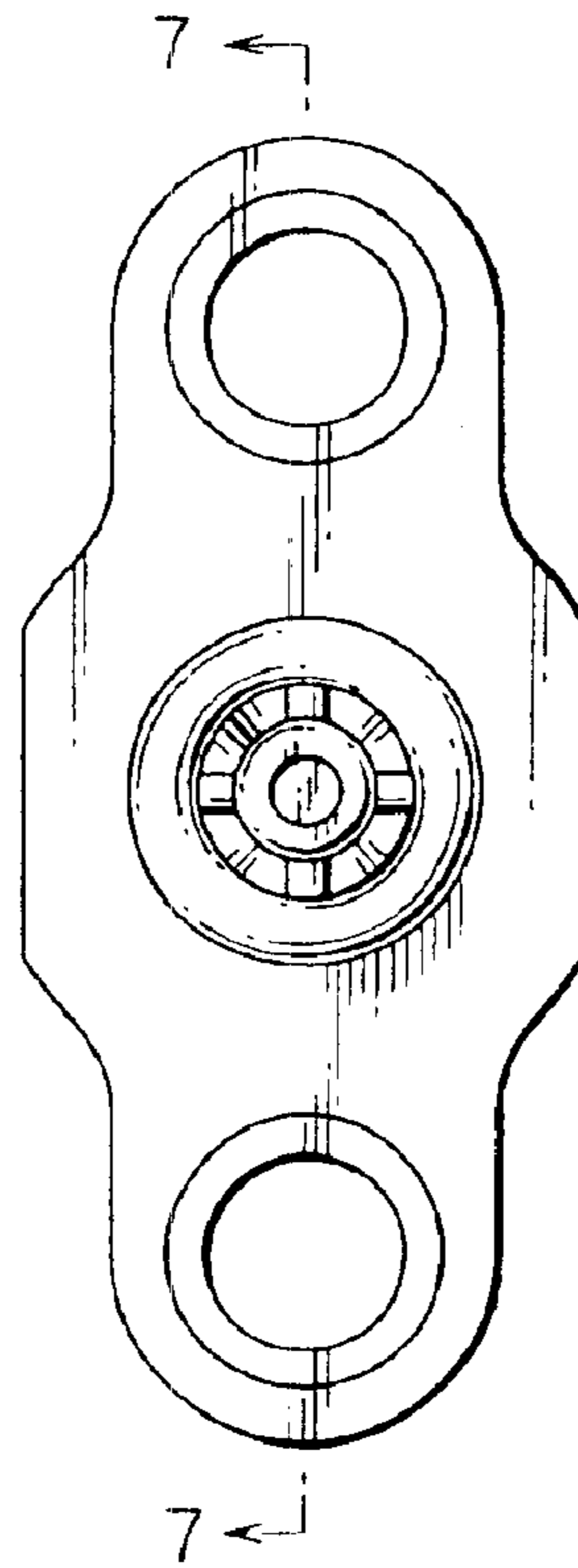


FIG. 7

