

US00D509150S

(12) **United States Design Patent**
Bodino

(10) **Patent No.:** **US D509,150 S**
(45) **Date of Patent:** **** Sep. 6, 2005**

(54) **WRISTWATCH**

D460,002 S * 7/2002 Wunderman D10/32
D473,473 S * 4/2003 Wunderman D10/32

(75) Inventor: **Giampiero Bodino**, Milan (IT)

OTHER PUBLICATIONS

(73) Assignee: **Montblanc-Simplo GmbH**, Hambourg (DE)

Swiss Watch & Jewelry Journal—Feb. 1999—p. 105—
watch at top right.*

(**) Term: **14 Years**

* cited by examiner

(21) Appl. No.: **29/188,600**

Primary Examiner—Nelson C. Holtje

(22) Filed: **Aug. 21, 2003**

(74) *Attorney, Agent, or Firm*—Young & Thompson

(30) **Foreign Application Priority Data**

(57) **CLAIM**

Feb. 21, 2003 (WO) DM/063 086

The ornamental design for a wristwatch, as shown and
described.

(51) **LOC (8) Cl.** **10-02**

DESCRIPTION

(52) **U.S. Cl.** **D10/32**

(58) **Field of Search** D10/1-39, 122-132;
368/276-277, 281-282, 285, 293-295;
D11/3-25; 63/1.1, 3, 5, 11; 224/164, 168,
178

FIG. 1 is a bottom plan view of the wristwatch;
FIG. 2 is a top plan view thereof;
FIG. 3 is a left side elevational view of FIG. 2;
FIG. 4 is a right side elevational view of FIG. 2;
FIG. 5 is a bottom plan view of FIG. 2 with the band omitted
for ease of illustration;
FIG. 6 is a top plan view of FIG. 1 with the band omitted for
ease of illustration; and,
FIG. 7 is a perspective view thereof.

(56) **References Cited**

U.S. PATENT DOCUMENTS

D55,521 S * 6/1920 Marsh D10/126
D131,626 S * 3/1942 Heinmuller D10/71

1 Claim, 3 Drawing Sheets



Fig. 1

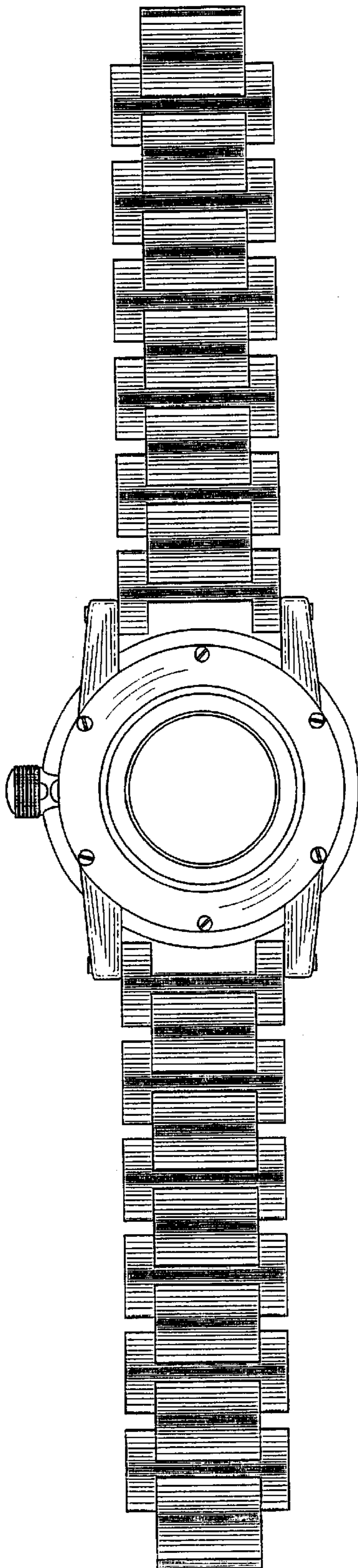


Fig. 2



Fig. 3

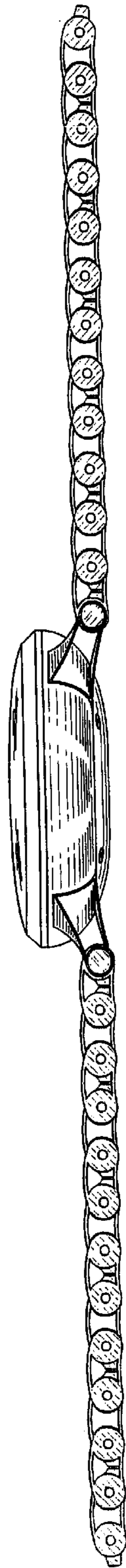


Fig. 4

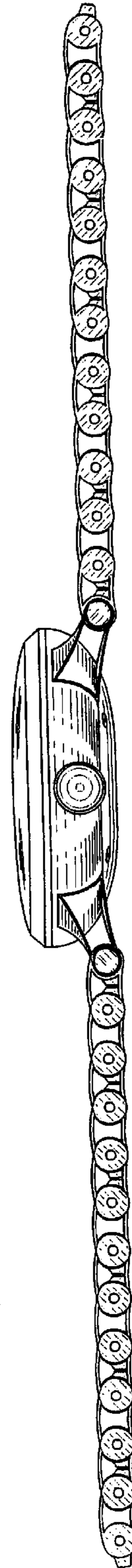


Fig. 7

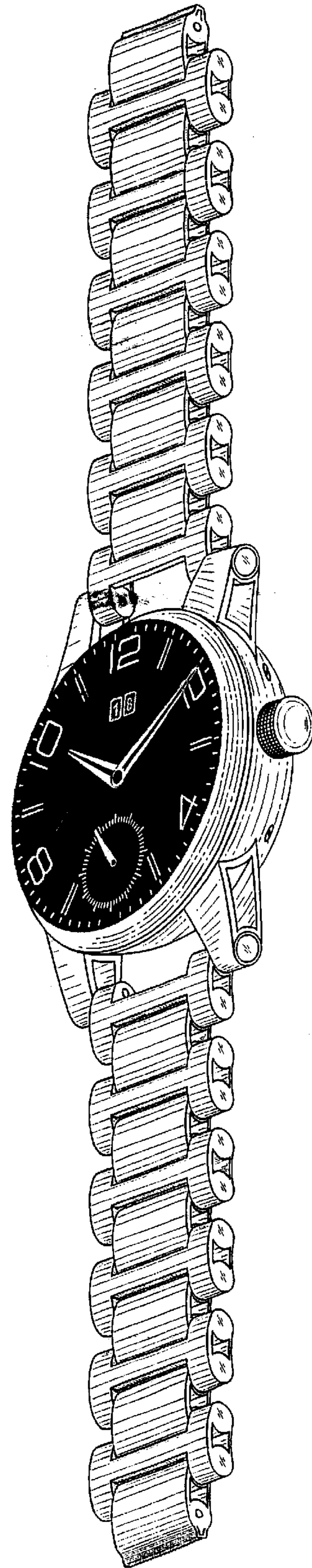


Fig. 5

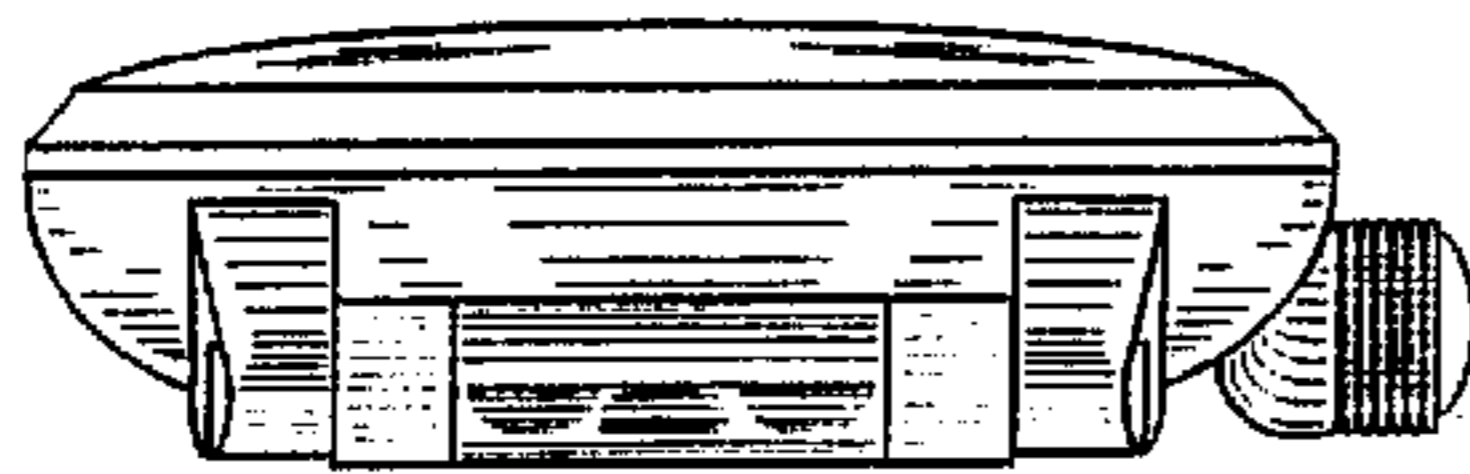


Fig. 6

