

US00D509145S

(12) **United States Design Patent** (10) **Patent No.:** **US D509,145 S**  
**Dorn et al.** (45) **Date of Patent:** **\*\* Sep. 6, 2005**

(54) **CONTAINER**

(75) **Inventors:** **James C. Dorn**, Norton, OH (US);  
**Richard A. Lovelace, Jr.**, Akron, OH  
(US); **Richard C. Darr**, Medina, OH  
(US)

(73) **Assignee:** **Plastipak Packaging, Inc.**, Plymouth,  
MI (US)

(\*\*) **Term:** **14 Years**

(21) **Appl. No.:** **29/219,246**

(22) **Filed:** **Dec. 14, 2004**

**Related U.S. Application Data**

(62) Division of application No. 29/203,298, filed on Apr. 13,  
2004, now Pat. No. Des. 502,405.

(51) **LOC (8) Cl.** ..... **09-01**

(52) **U.S. Cl.** ..... **D9/550; D9/553; D9/554**

(58) **Field of Search** ..... D9/500, 502, 516,  
D9/538-541, 549-554, 557-558, 560, 563-567,  
570, 574-575, 636, 643, 645, 655, 657-658,  
661, 664; 215/375, 382-384, 396, 398,  
400

(56) **References Cited**

**U.S. PATENT DOCUMENTS**

D67,463 S \* 6/1925 Johnson ..... D9/557

D99,819 S \* 5/1936 McLaughlin ..... D9/563  
D104,179 S \* 4/1937 Berk ..... D9/527  
2,635,604 A \* 4/1953 Fredrickson ..... 215/399 X  
D244,427 S \* 5/1977 Schieser et al. .... D9/550  
D264,942 S \* 6/1982 Schieser et al. .... D9/563  
D280,709 S \* 9/1985 Waring ..... D9/520  
D291,658 S \* 9/1987 Klette et al. .... D9/504  
D327,219 S \* 6/1992 Hestehave et al. .... D9/553 X  
D430,038 S \* 8/2000 Young et al. .... D9/549  
6,581,794 B2 \* 6/2003 Boukobza ..... 215/383  
6,857,531 B2 \* 2/2005 Slat et al. .... 215/382

\* cited by examiner

*Primary Examiner*—Carol Rademaker

(74) *Attorney, Agent, or Firm*—Robert H. Bachman

(57) **CLAIM**

The ornamental design for a container, as shown and  
described.

**DESCRIPTION**

FIG. 1 is a top, front, right perspective view of the container  
of the present invention;

FIG. 2 is a right side elevation view thereof.

FIG. 3 is a front elevation view thereof.

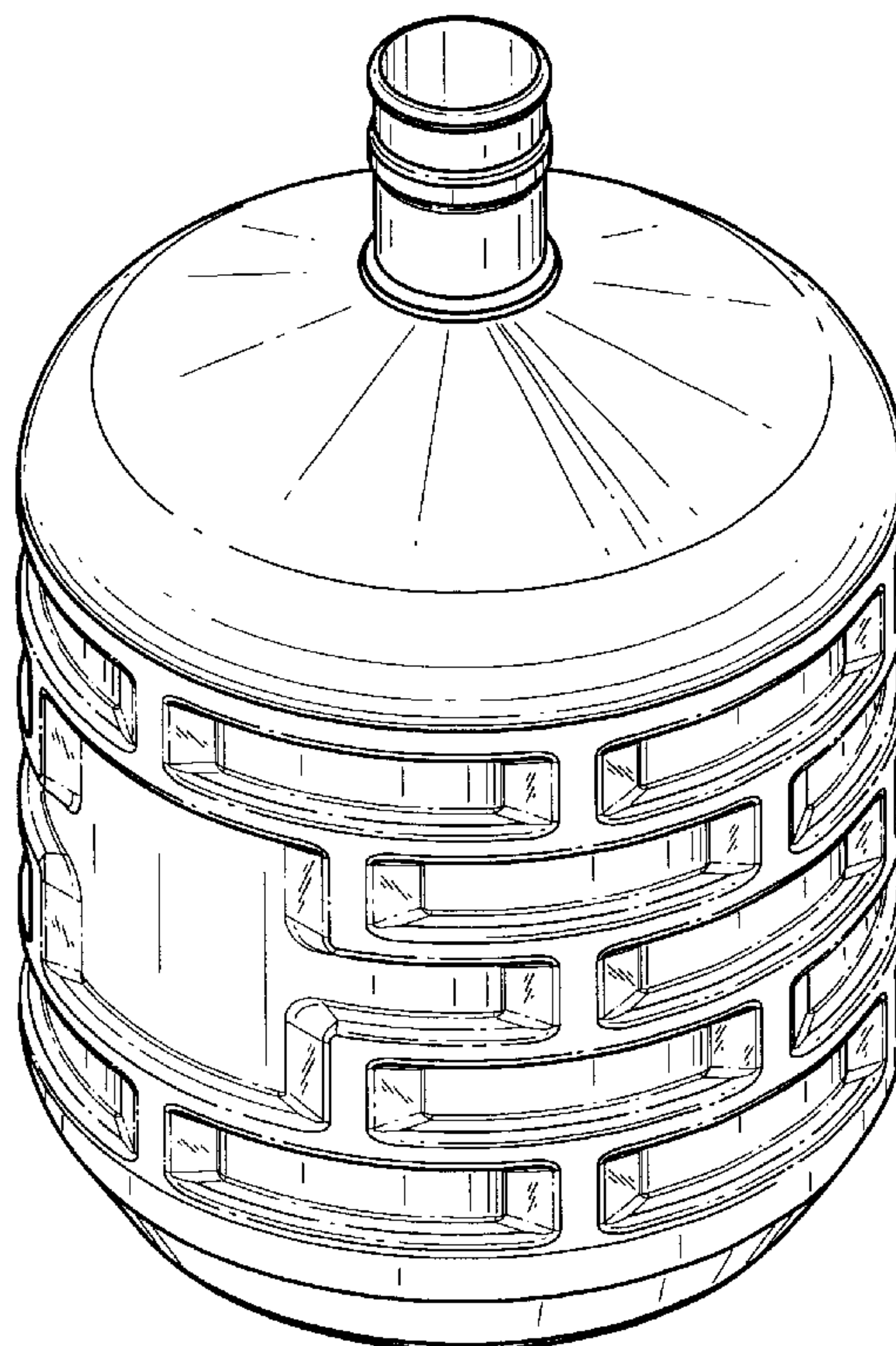
FIG. 4 is a back elevation view thereof.

FIG. 5 is a top plan view thereof; and,

FIG. 6 is a bottom plan view thereof.

The broken lines shown in FIG. 6 are for environment  
purposes only and form no part of the claimed design.

**1 Claim, 3 Drawing Sheets**



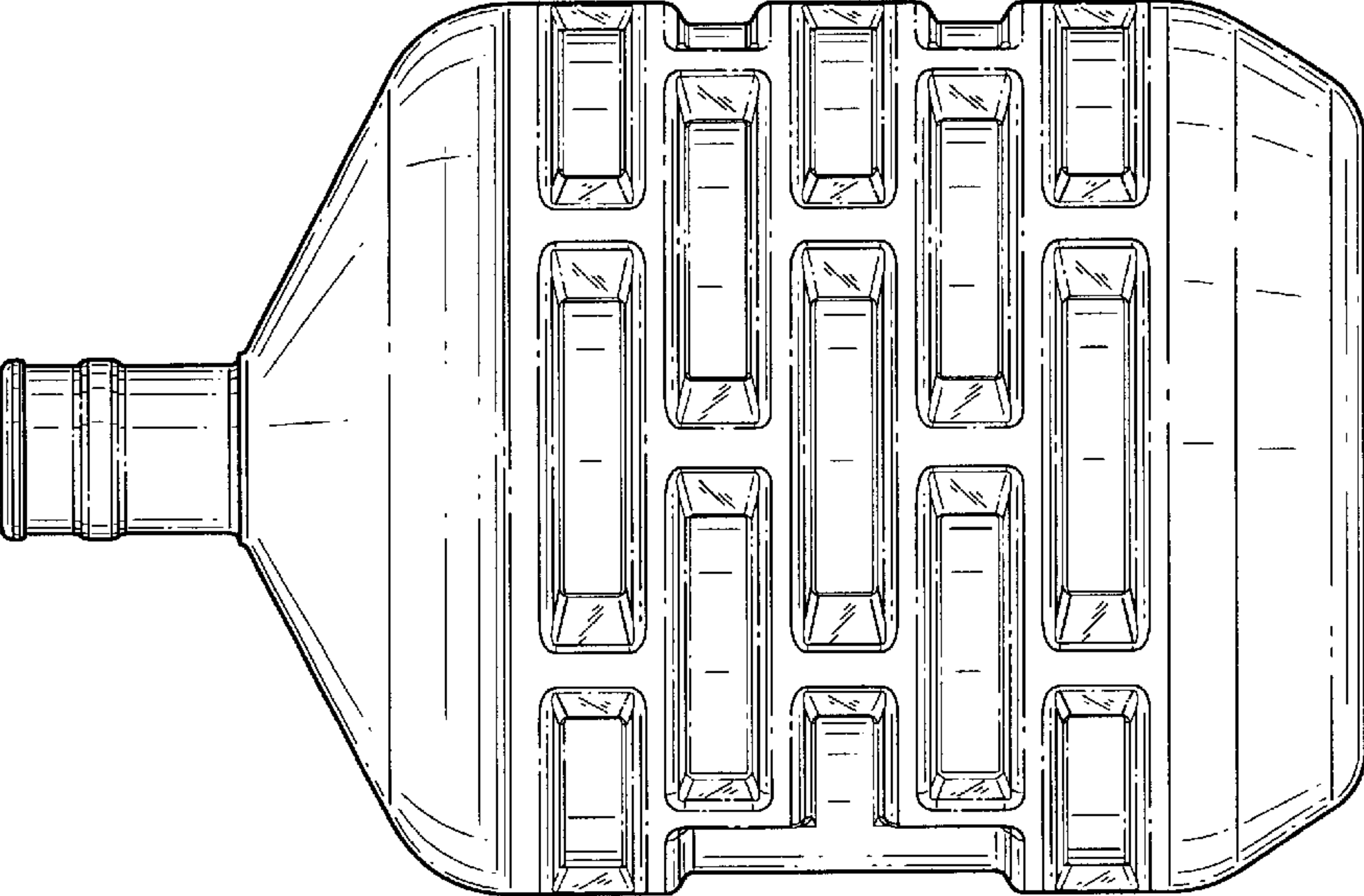


FIG. 2

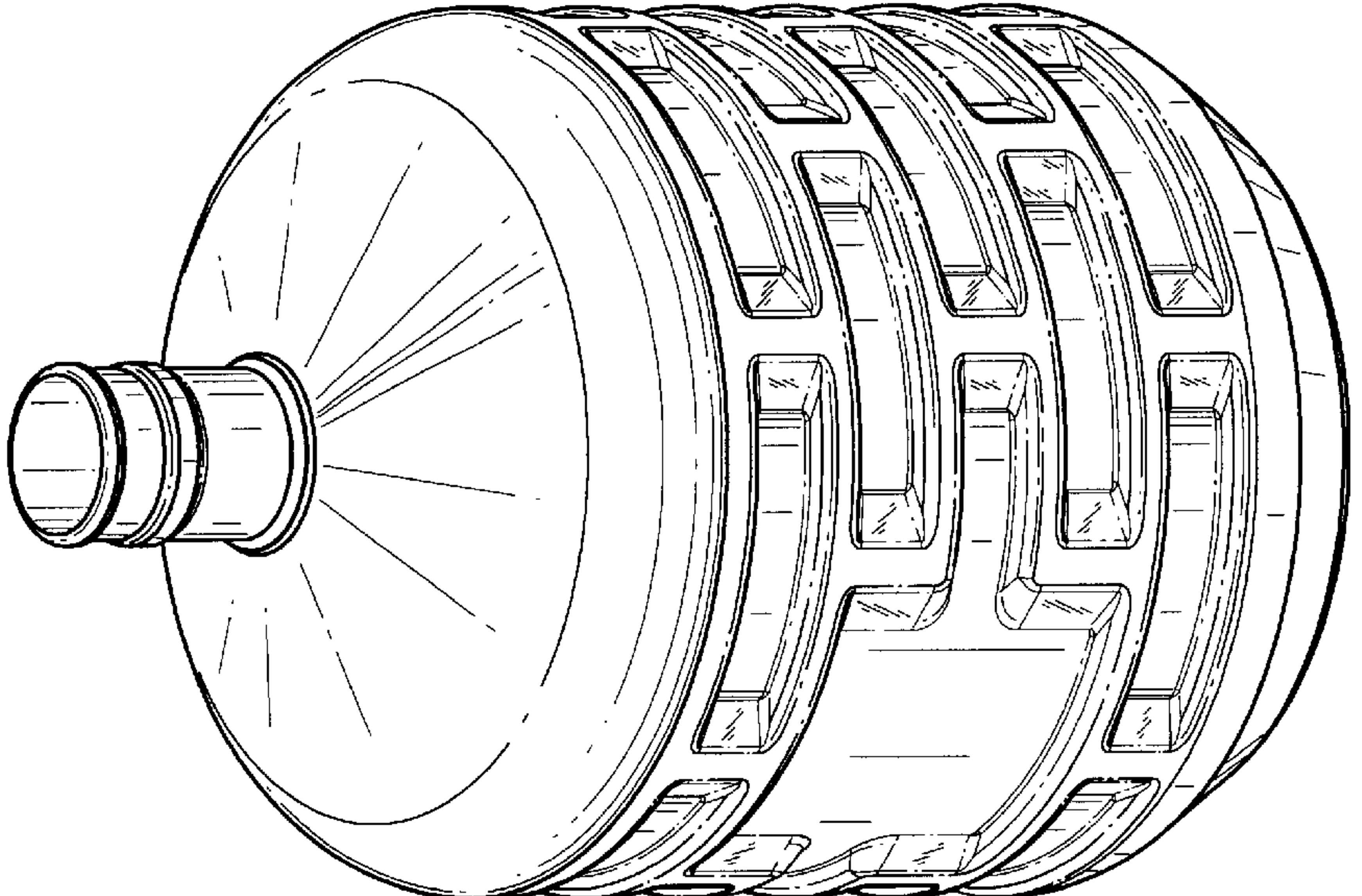


FIG. 1

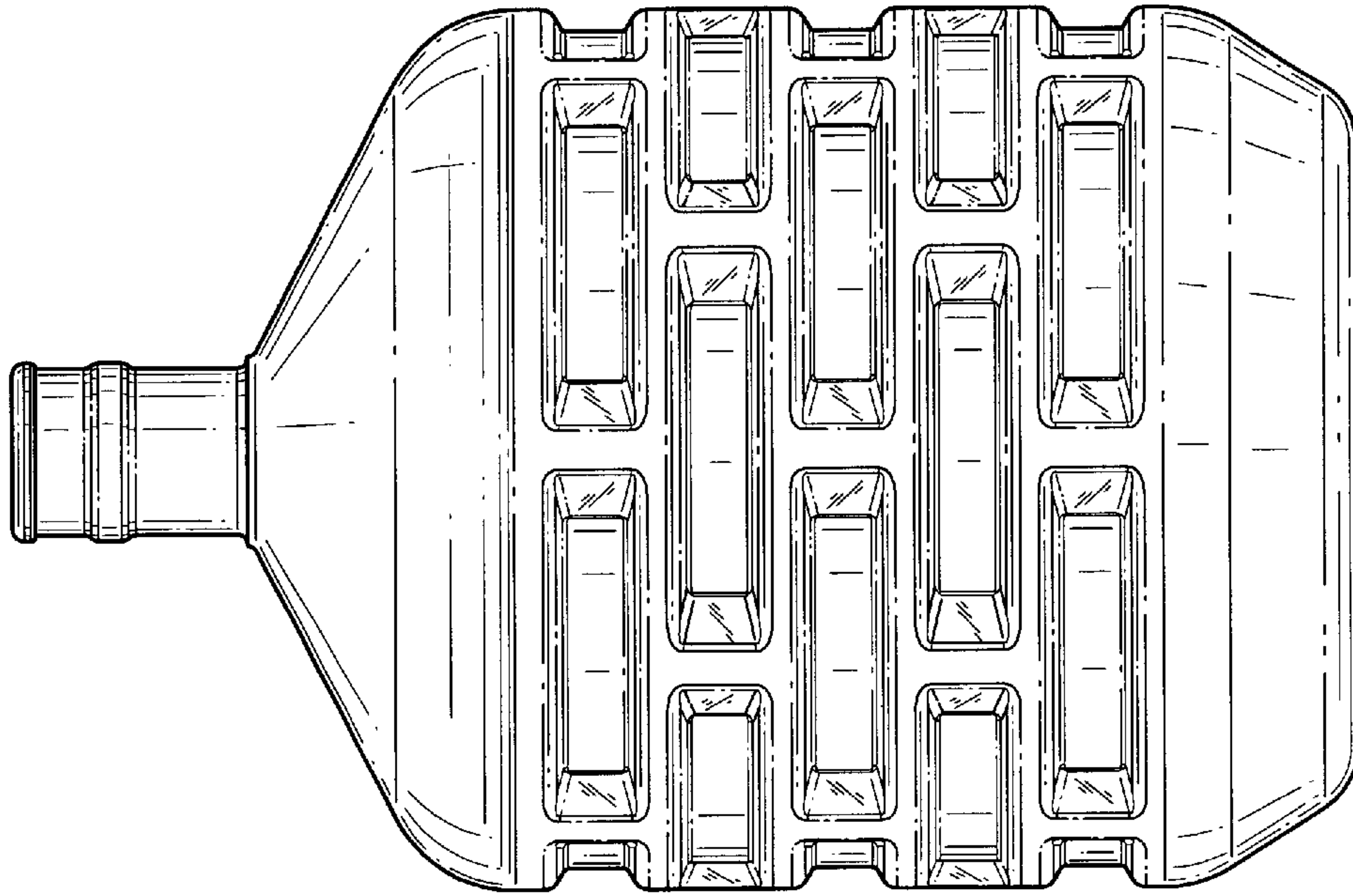


FIG. 4

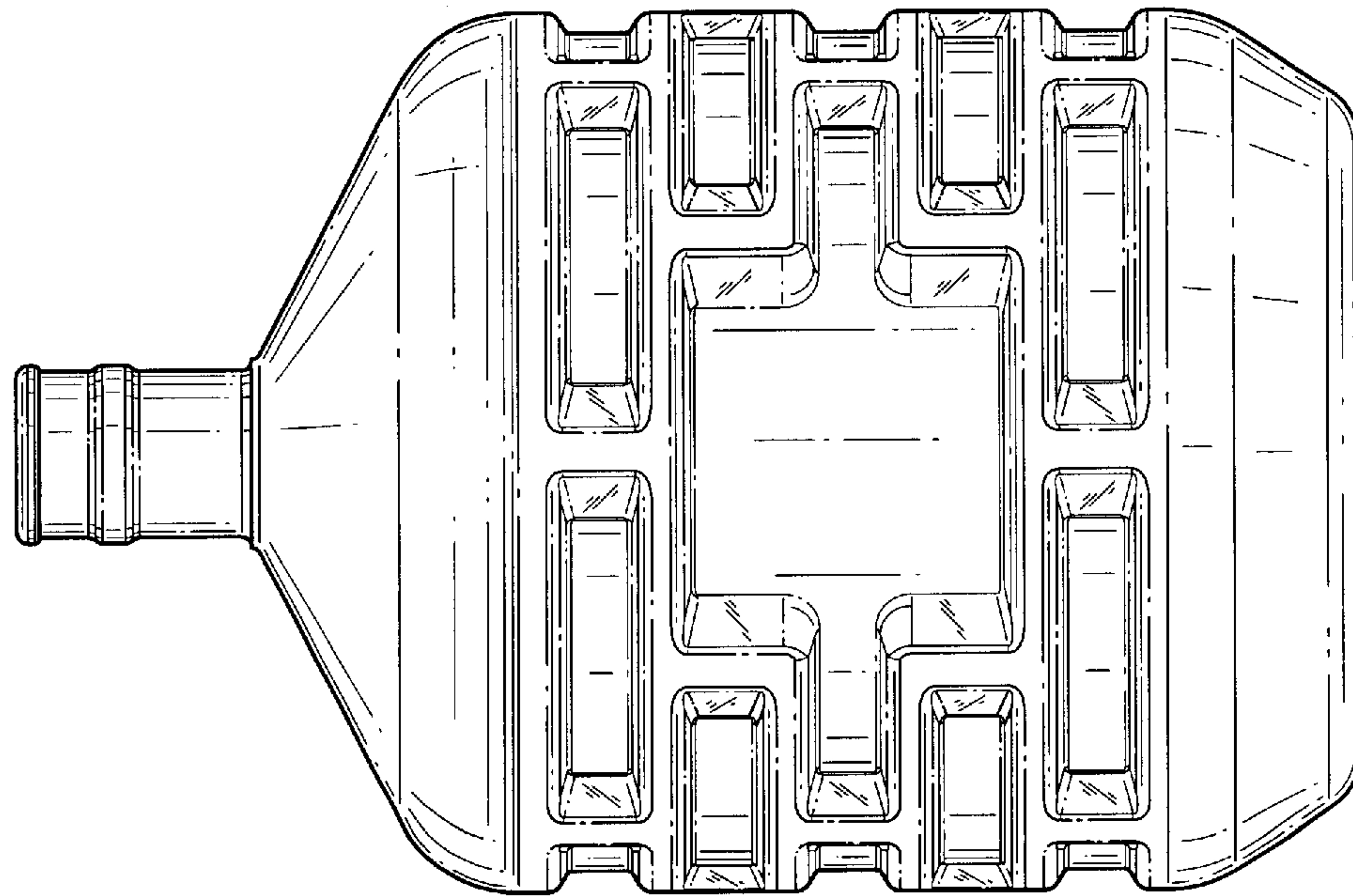


FIG. 3



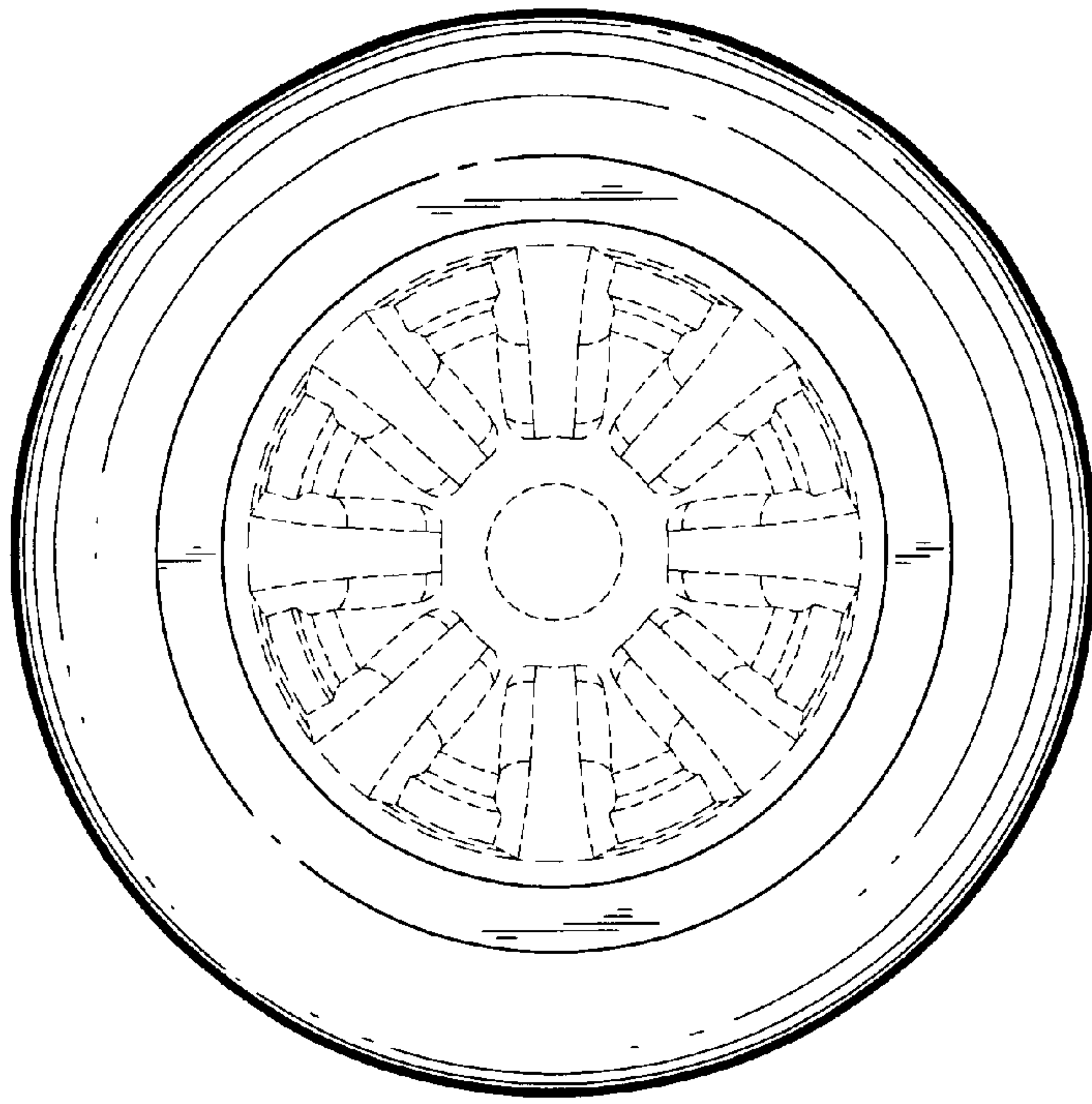


FIG. 6

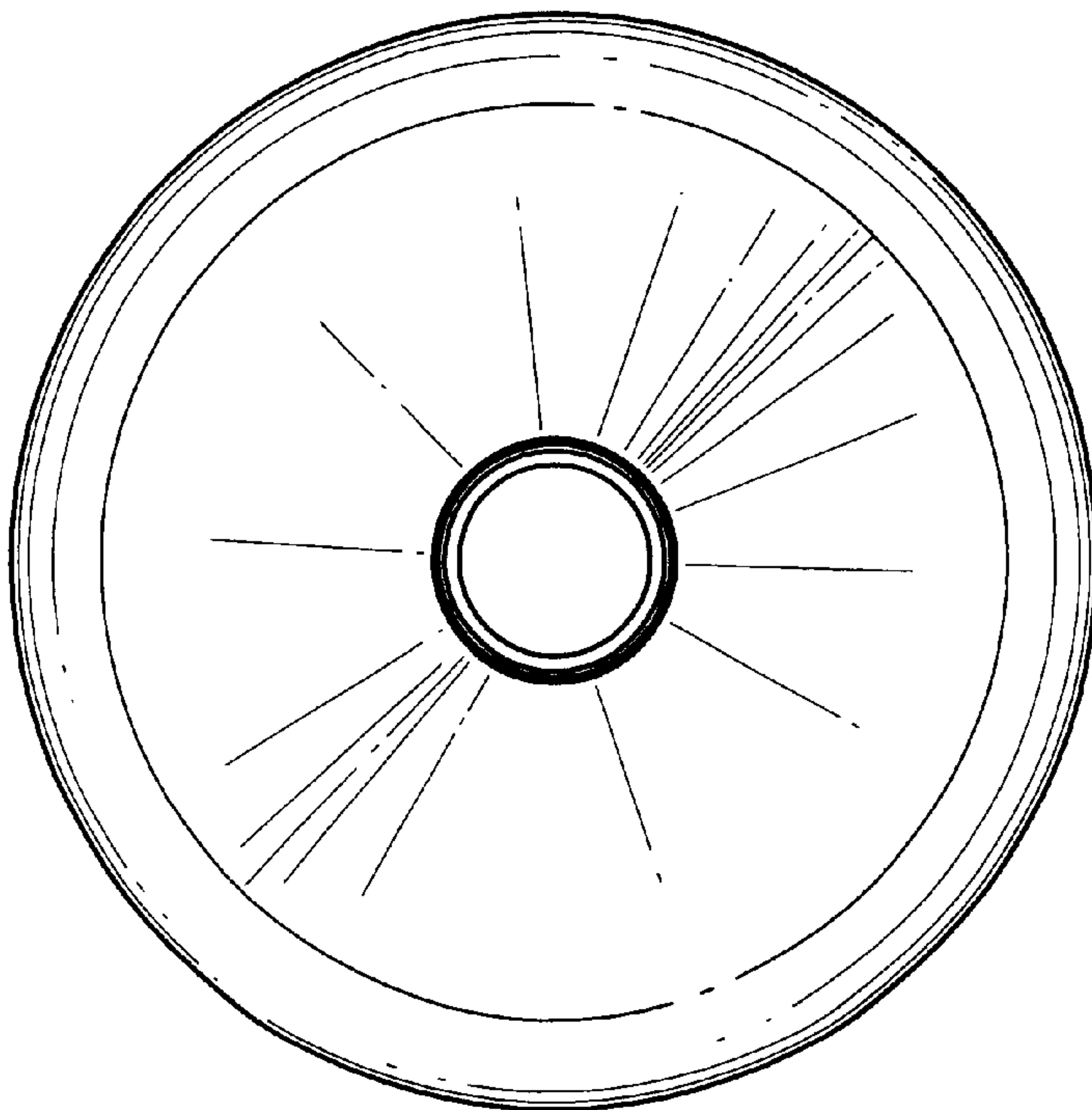


FIG. 5