

US00D509141S

(12) **United States Design Patent** (10) **Patent No.:** **US D509,141 S**
Walsh et al. (45) **Date of Patent:** **** Sep. 6, 2005**

(54) **CONTAINER**

(75) Inventors: **Michael J. Walsh**, Chesterfield, MO (US); **Jeffrey A. Schutte**, University City, MO (US); **Douglas W. Newman**, St. Charles, MO (US); **Mark Gilbertson**, Sauk City, WI (US); **Scott G. Manke**, Sun Prairie, WI (US); **Michael J. Brock**, Madison, WI (US)

(73) Assignee: **Masterchem Industries, Inc.**, Imperial, MO (US)

(**) Term: **14 Years**

(21) Appl. No.: **29/200,013**

(22) Filed: **Feb. 23, 2004**

Related U.S. Application Data

(62) Division of application No. 29/176,627, filed on Feb. 25, 2003, now Pat. No. Des. 487,018, which is a division of application No. 29/157,524, filed on Mar. 20, 2002, now Pat. No. Des. 478,820.

(51) **LOC (8) Cl.** **09-01**

(52) **U.S. Cl.** **D9/516; D9/531**

(58) **Field of Search** D9/414, 422, 424, D9/426, 432, 516, 523, 528, 530-532, 539-540, 560; D32/53, 53.1; D34/39; 215/382-385, 396, 398, 400; 220/510, 601, 675, 696, 761, 766, 770, 561, 4.27, 23.4, 23.83; 156/94, 250, 264

(56) **References Cited**

U.S. PATENT DOCUMENTS

4,648,512 A * 3/1987 Tarozzi et al. 206/542

D323,115 S * 1/1992 Kelsey D9/423
5,445,425 A * 8/1995 Lyver 220/760 X
5,637,420 A * 6/1997 Jones et al. 429/187
D474,115 S * 5/2003 Walsh et al. D9/532
D475,628 S * 6/2003 Walsh et al. D9/530
D478,820 S * 8/2003 Walsh et al. D9/560
D482,274 S * 11/2003 Walsh et al. D9/424 X
D485,494 S * 1/2004 Walsh et al. D9/529
D487,018 S * 2/2004 Walsh et al. D9/530
D491,467 S * 6/2004 Walsh et al. D9/522
D495,603 S * 9/2004 Walsh et al. D9/522
D499,027 S * 11/2004 Walsh et al. D9/532
2003/0102339 A1 * 6/2003 Walsh et al. 222/567
2003/0121941 A1 * 7/2003 Walsh et al. 222/465.1

* cited by examiner

Primary Examiner—Carol Rademaker

(74) *Attorney, Agent, or Firm*—Foley & Lardner LLP

(57) **CLAIM**

We claim the ornamental design for a container, as shown and described.

DESCRIPTION

FIG. 1 is a perspective view of a container;
FIG. 2 is a front view of the design of FIG. 1;
FIG. 3 is a rear view of the design of FIG. 1;
FIG. 4 is a right view of the design of FIG. 1, the left view being a mirror image; and,
FIG. 5 is a top view of the design of FIG. 1.
The ornamental design which is claimed is shown in solid lines in the drawings. The broken lines in the drawings are for illustrative purposes only and form no part of the claimed design.

1 Claim, 3 Drawing Sheets

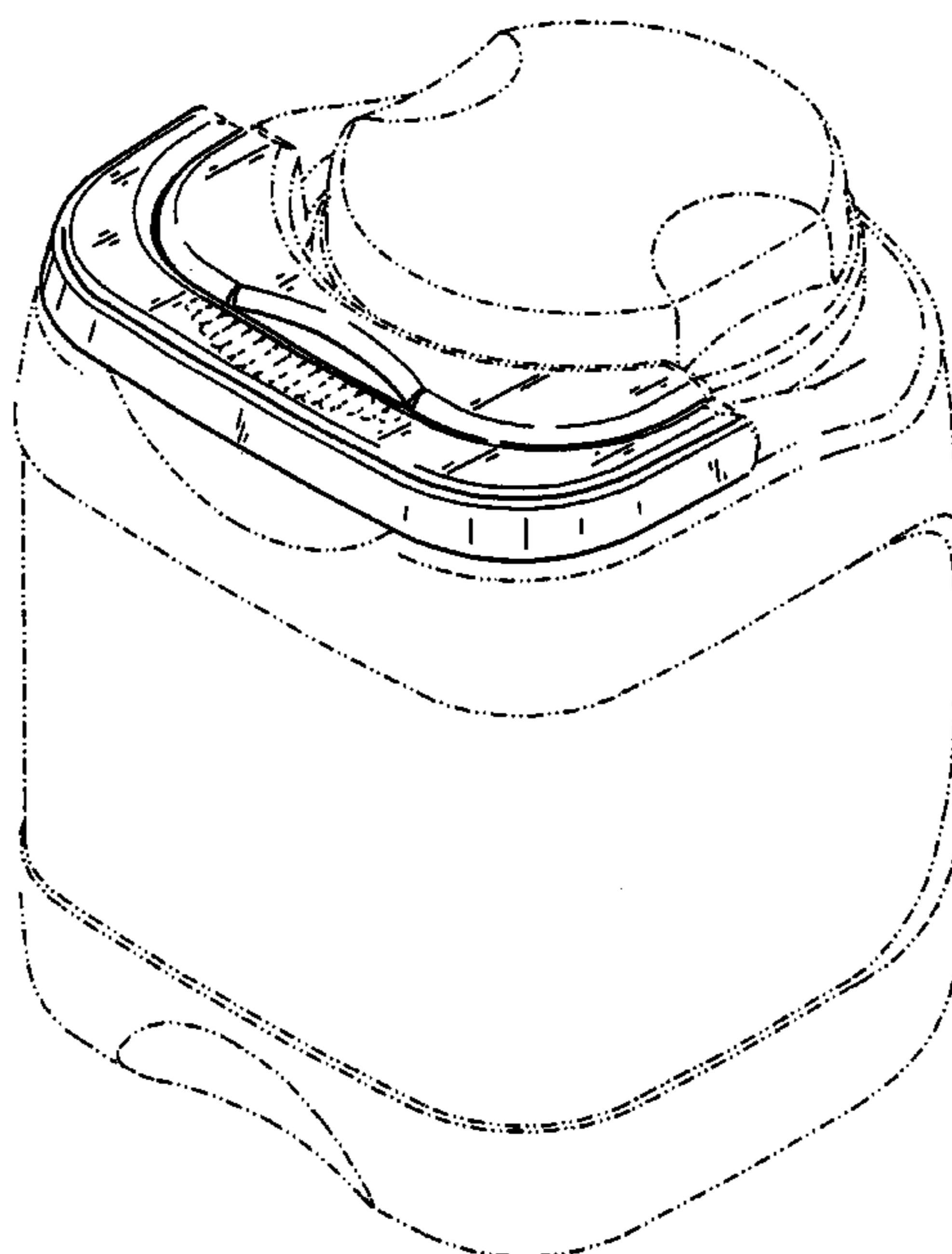


FIG. 1

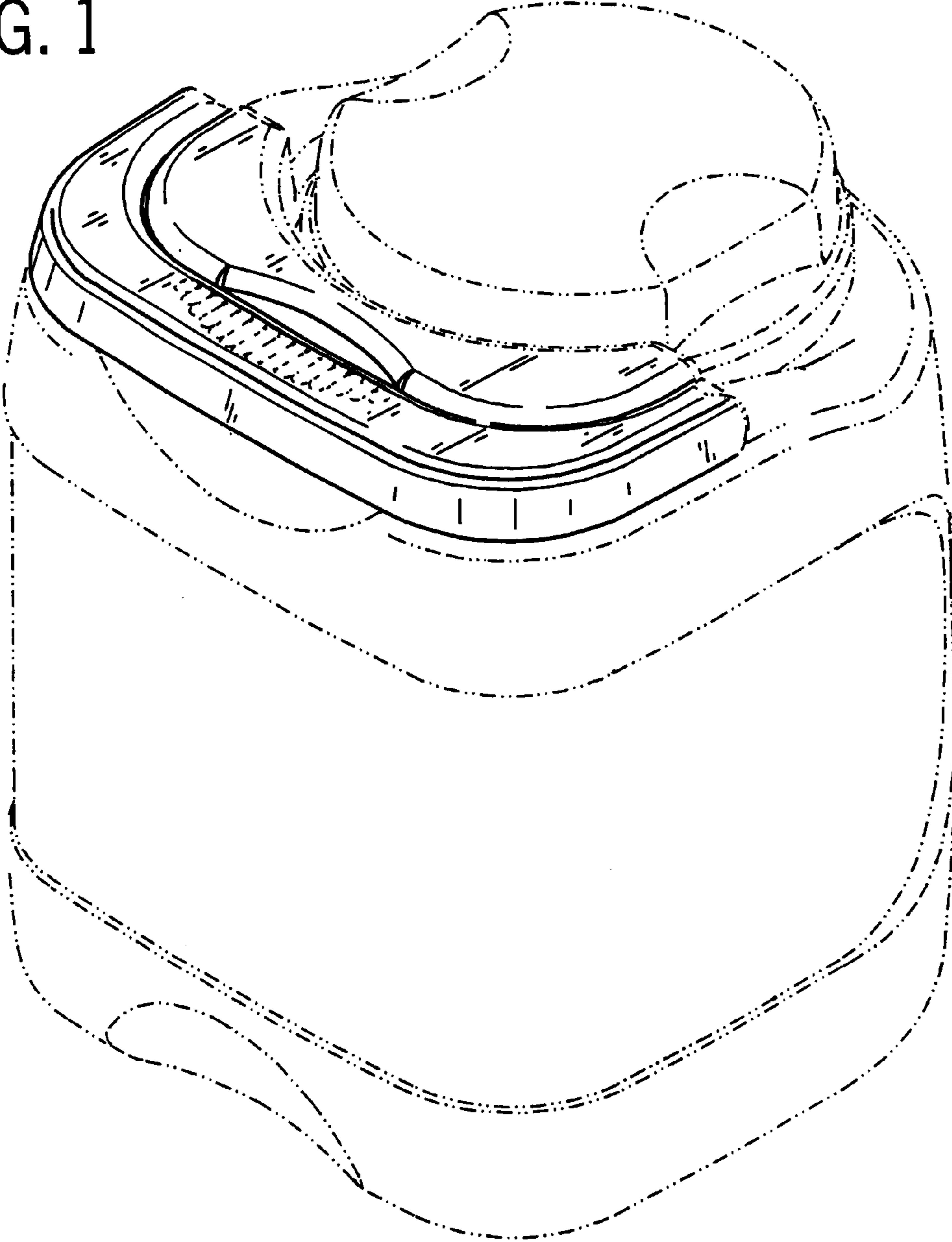


FIG. 2

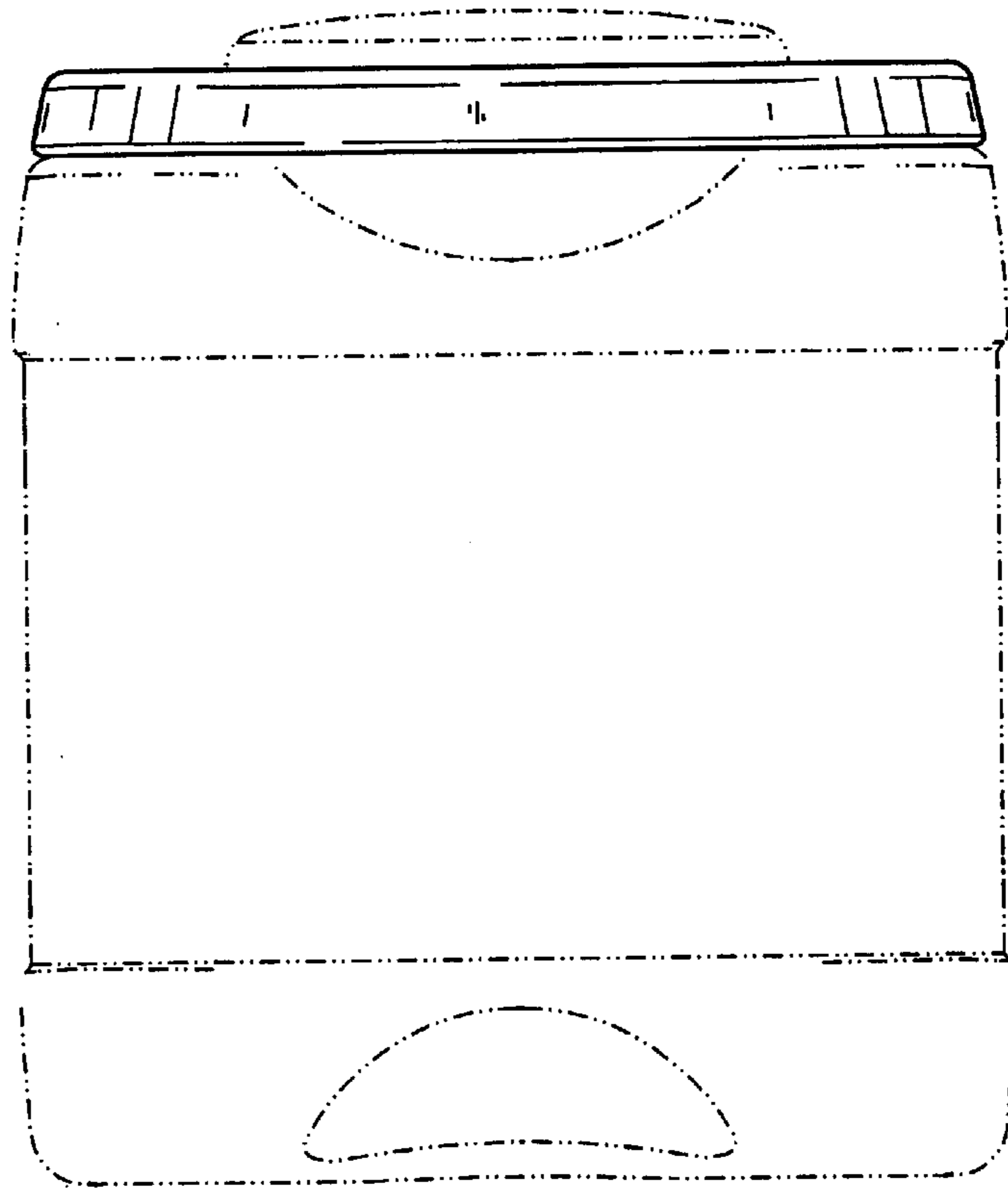


FIG. 3

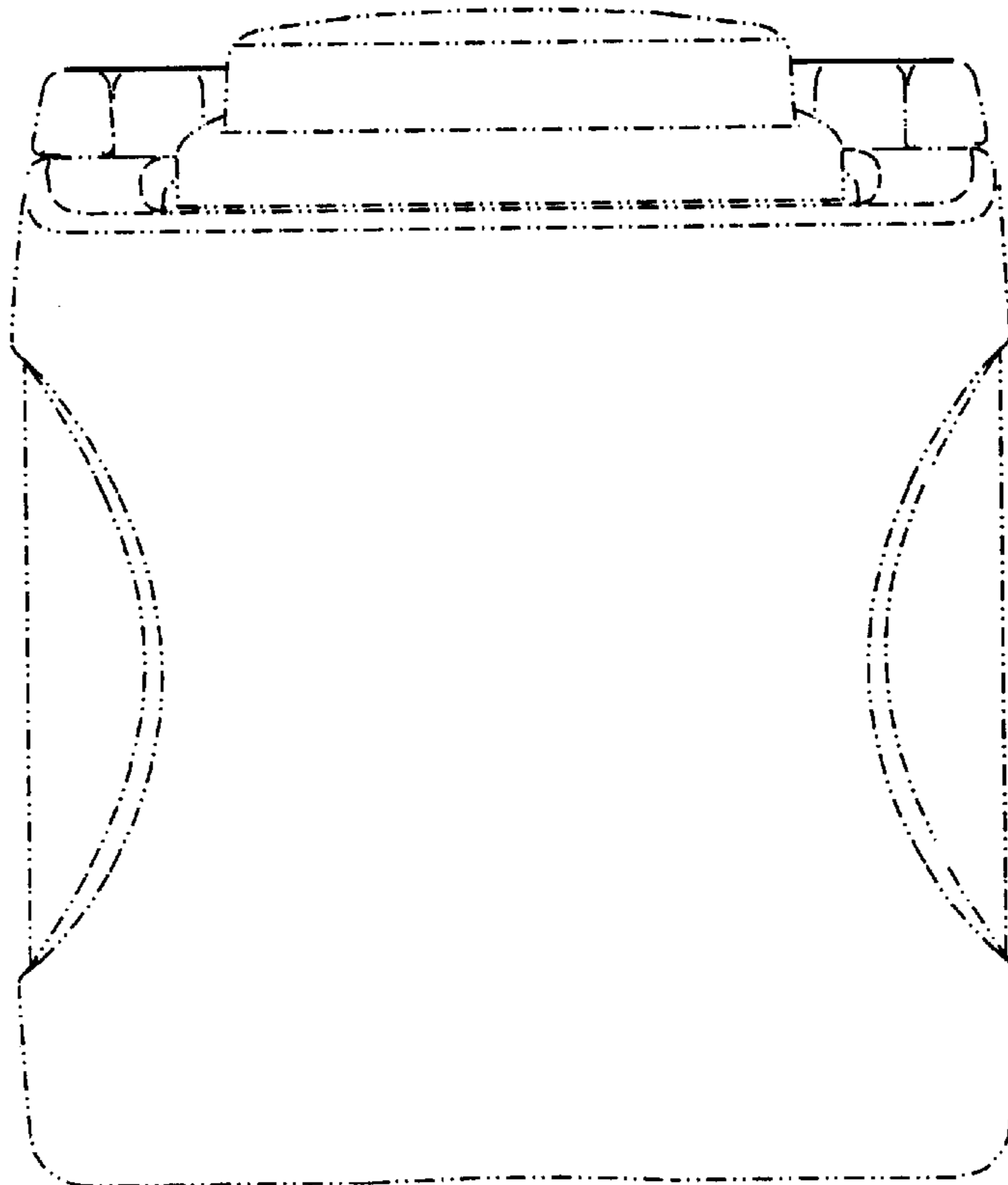


FIG. 4

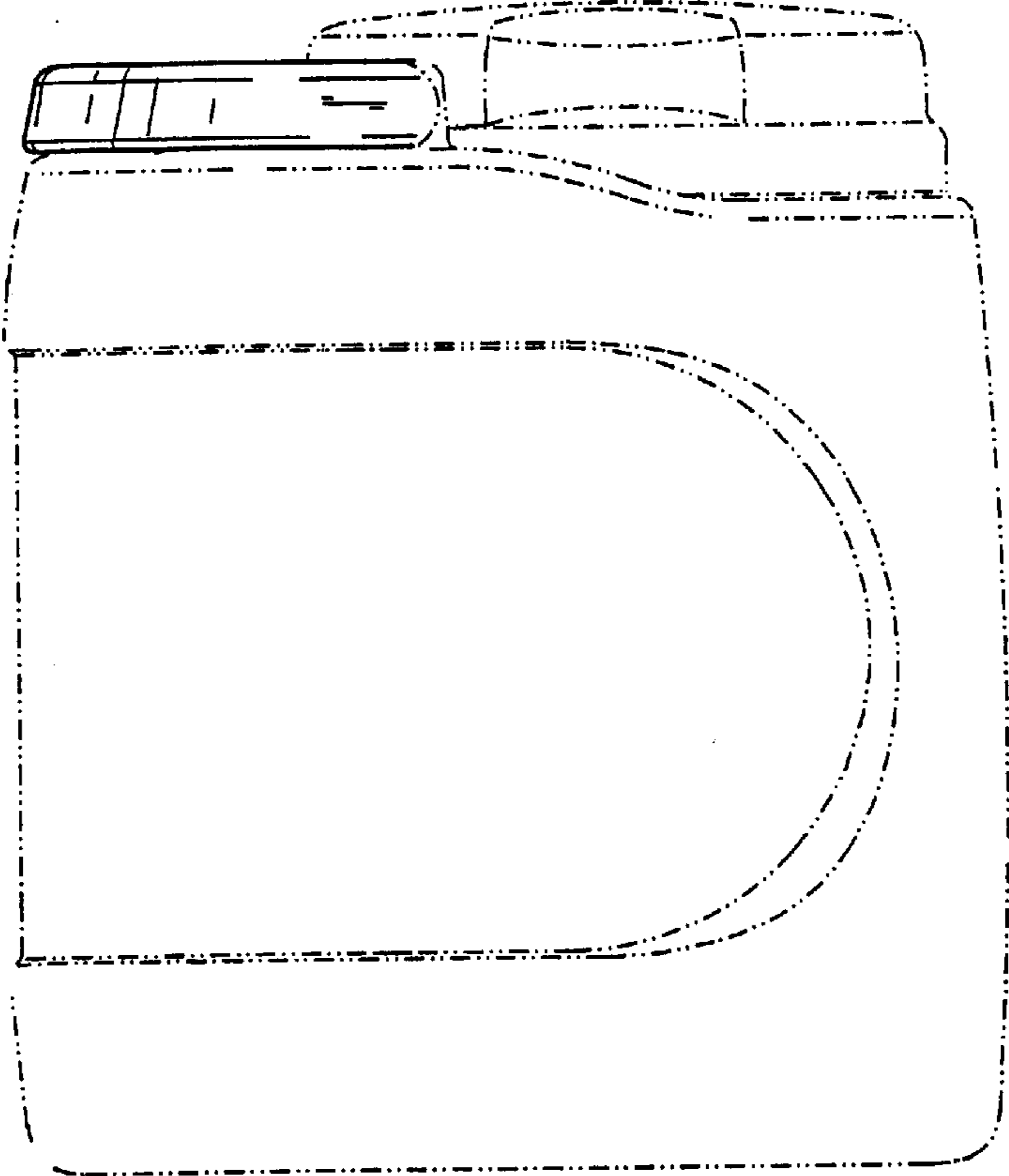


FIG. 5

