



US00D509139S

(12) **United States Design Patent**
Healy et al.

(10) **Patent No.:** **US D509,139 S**
(45) **Date of Patent:** **** Sep. 6, 2005**

(54) **ACTUATOR CAP WITH COVER**
(75) Inventors: **Brian E. Healy**, Hartland, WI (US);
Nathan R. Westphal, Union Grove, WI
(US); **Allen D. Miller**, Racine, WI
(US); **Scott W. Demarest**, Caledonia,
WI (US); **John C. Mehnert**, Madison,
WI (US); **Steven B. Mineau**, Racine,
WI (US)

(73) Assignee: **S.C. Johnson & Son, Inc.**, Racine, WI
(US)

(**) Term: **14 Years**

(21) Appl. No.: **29/201,962**

(22) Filed: **Mar. 23, 2004**

(51) **LOC (8) Cl.** **09-07**

(52) **U.S. Cl.** **D9/448**

(58) **Field of Search** 222/402.1, 546,
222/153.1, 153.11, 402.22, 402.23; D9/444,
435, 690, 691, 448, 454, 434, 445, 447,
449

(56) **References Cited**

U.S. PATENT DOCUMENTS

3,954,208 A * 5/1976 Brill 222/402.23

D309,716 S * 8/1990 Umekawa D9/449
D310,028 S * 8/1990 Brandt et al. D9/434
D410,389 S * 6/1999 Niedospial, Jr. D9/454
D463,280 S * 9/2002 Brozell D9/449
D466,015 S * 11/2002 Faucon D9/435
D490,709 S * 6/2004 Bezek D9/444

* cited by examiner

Primary Examiner—Robert M. Spear
Assistant Examiner—Susan Bennett-Hattan

(57) **CLAIM**

The ornamental design for an actuator cap with cover, as shown and described.

DESCRIPTION

In a preferred embodiment, the nature of this product is an actuator cap and cover for an aerosol can.

FIG. 1 is a top, front, right perspective view of a second embodiment of an actuator cap and cover embodying our new design;

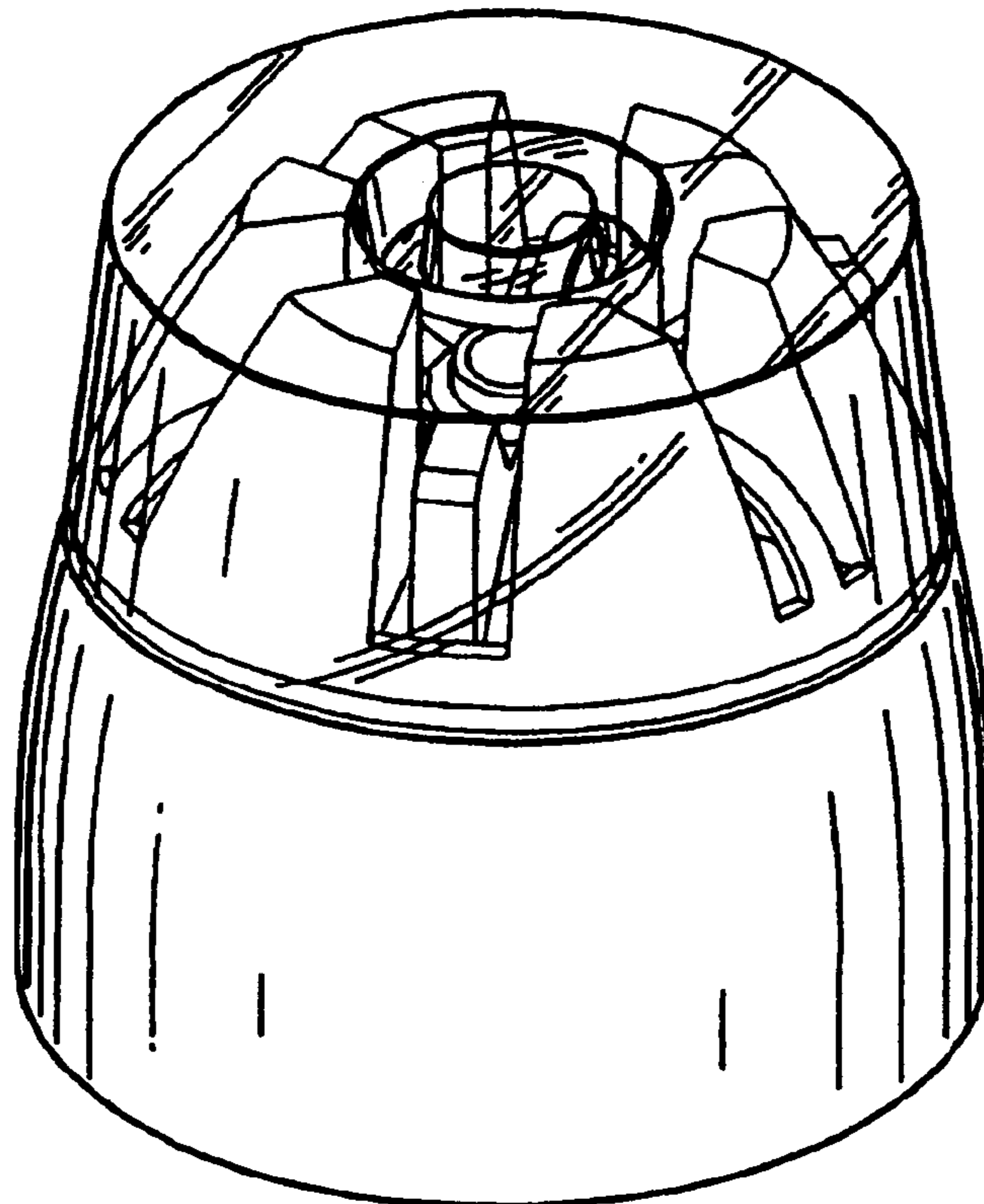
FIG. 2 is a right side elevational view thereof, the left side elevational view being a mirror image of the right side elevational view;

FIG. 3 is a front elevational view thereof;

FIG. 4 is a rear elevational view thereof; and,

FIG. 5 is a top plan view thereof.

1 Claim, 3 Drawing Sheets



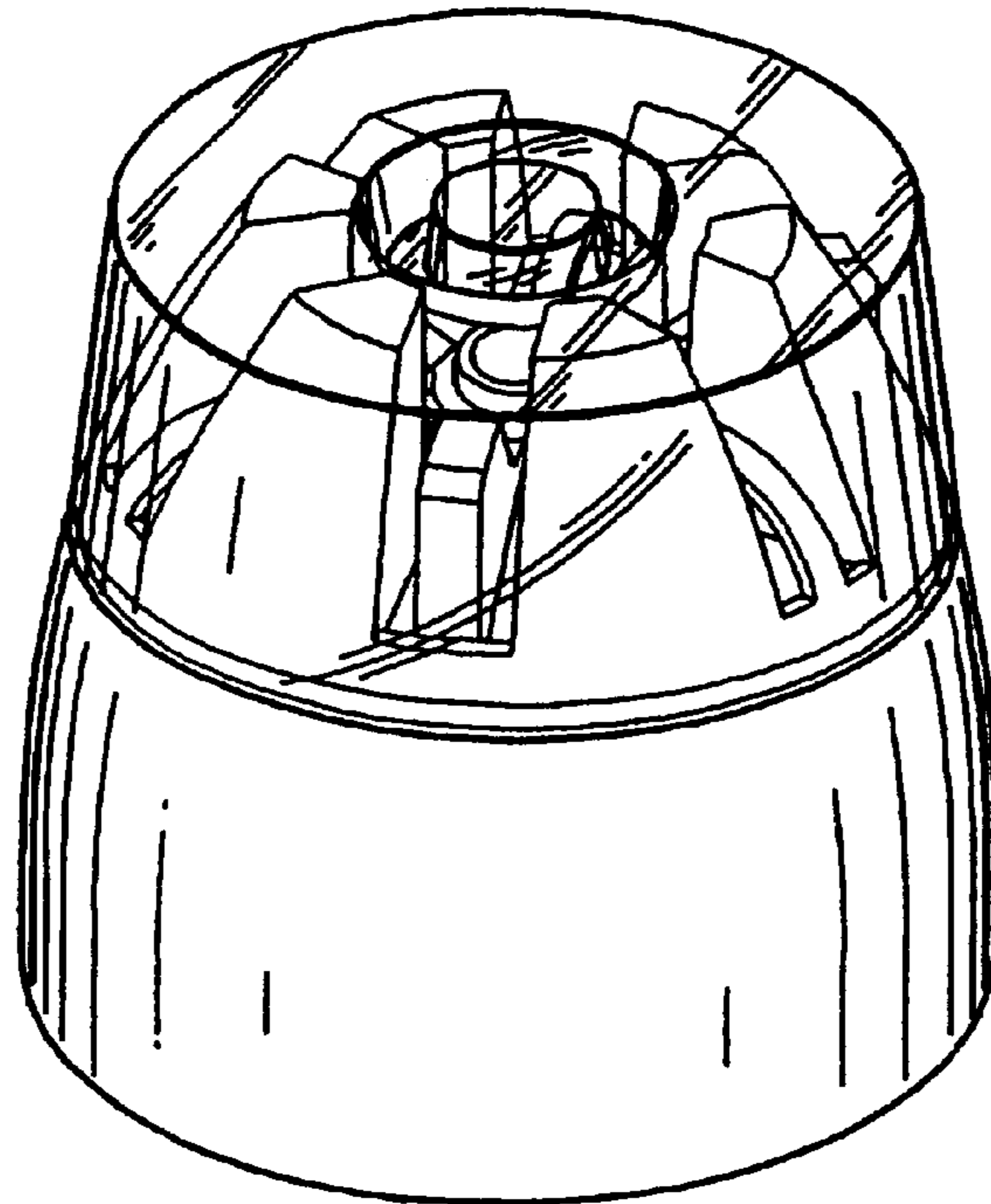


FIG. 1

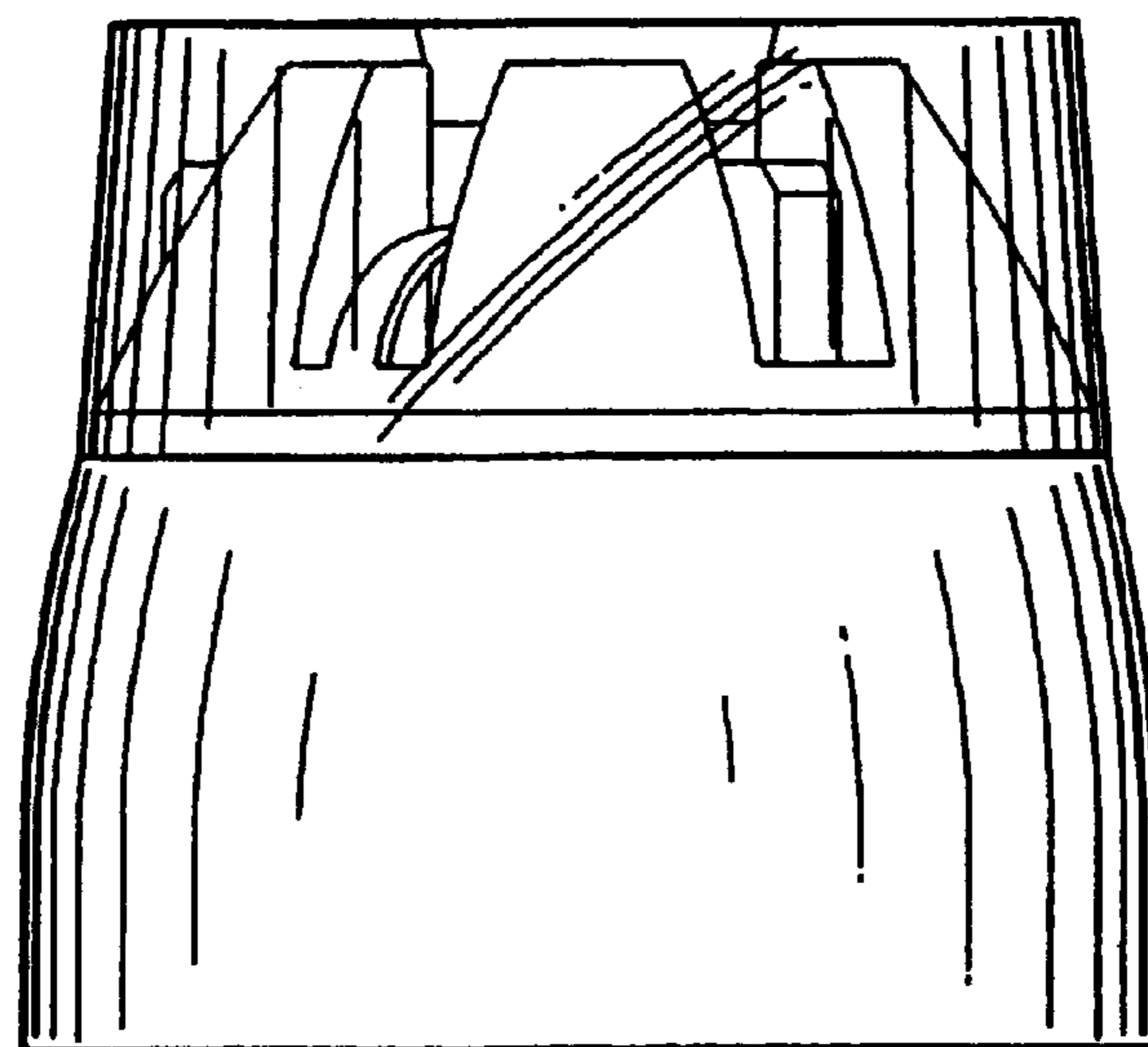


FIG. 2

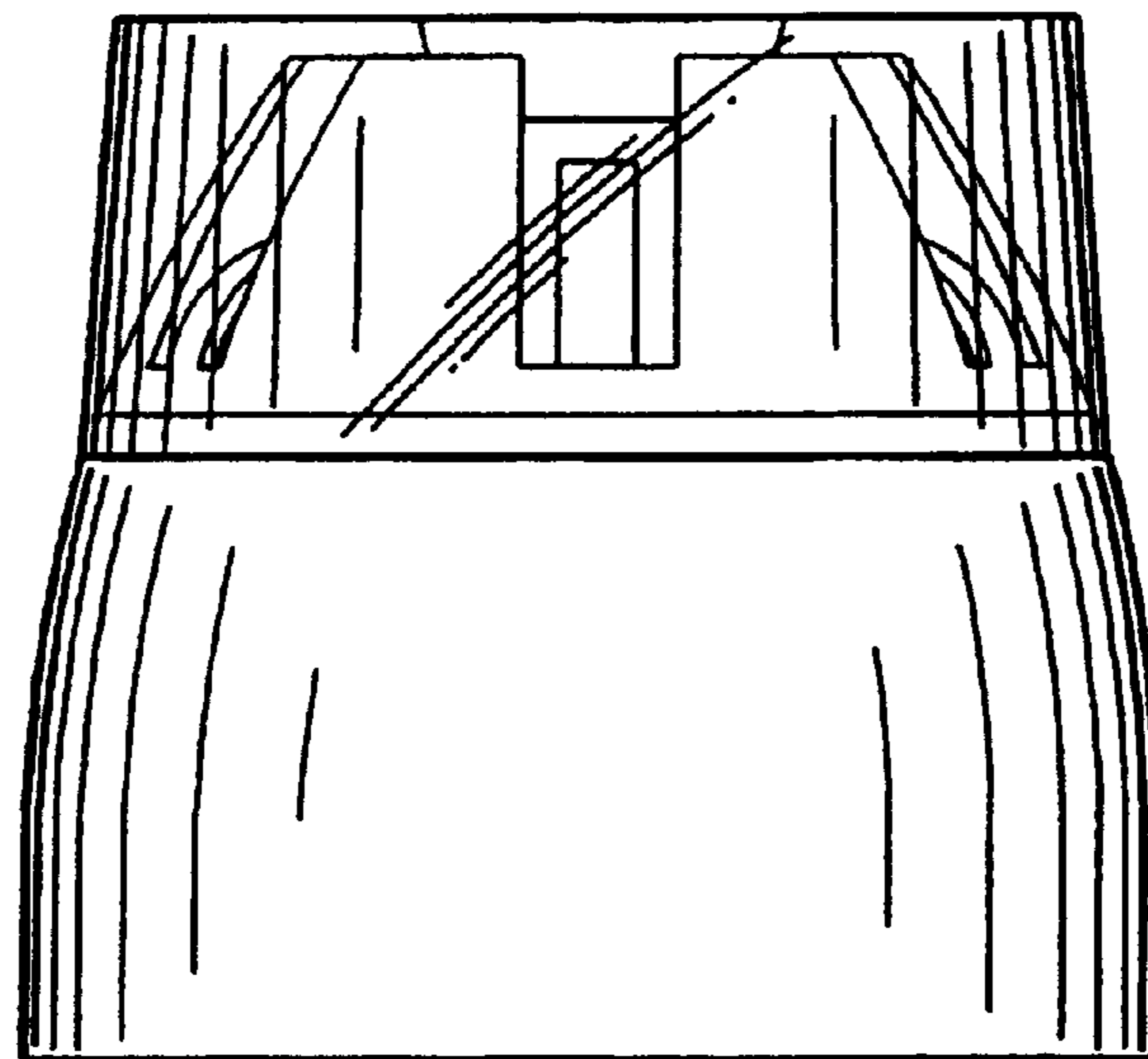


FIG. 3

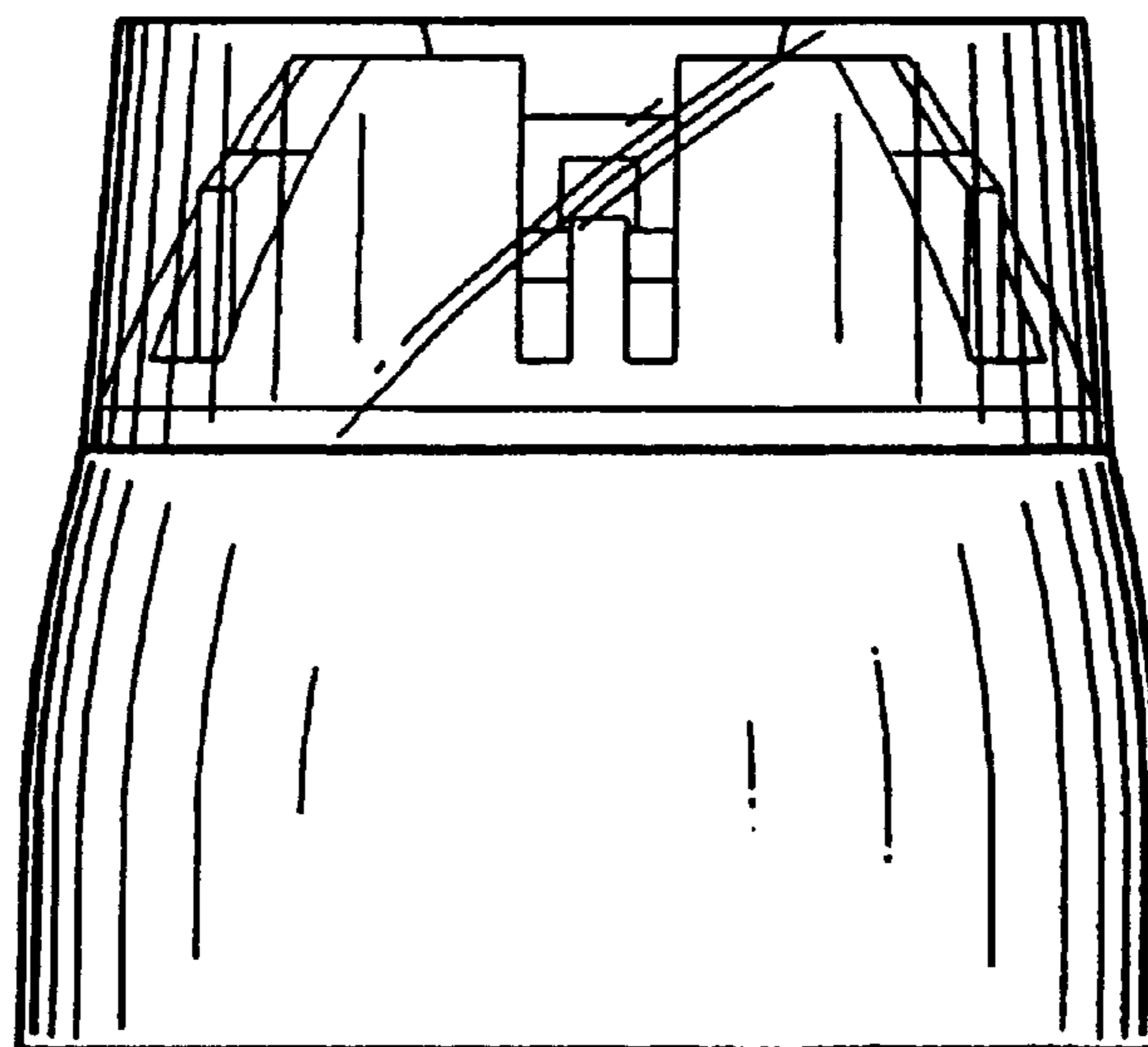


FIG. 4

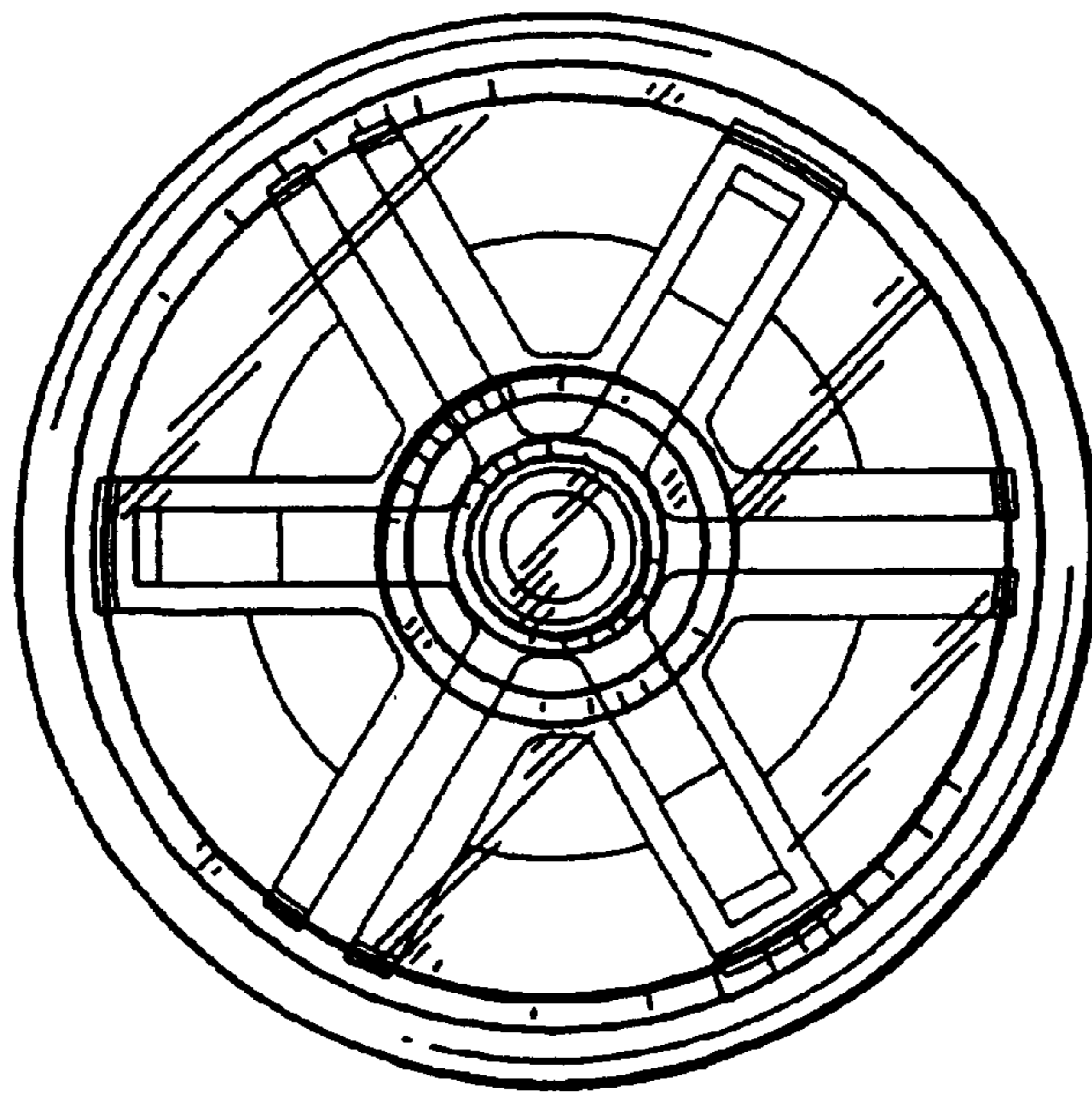


FIG. 5