

US00D509138S

(12) **United States Design Patent**
Hierzer et al.

(10) **Patent No.:** **US D509,138 S**
(45) **Date of Patent:** **** Sep. 6, 2005**

(54) **CLOSURE**

D492,901 S * 7/2004 Woods D9/435

(75) Inventors: **Valentin Hierzer**, Arlington Heights, IL
(US); **Rick Gaiser**, Burlington, WI
(US)

FOREIGN PATENT DOCUMENTS

WO WO 99/29585 6/1999

* cited by examiner

(73) Assignee: **Crown Packaging Technology, Inc.**,
Alsip, IL (US)

Primary Examiner—Robert M. Spear
Assistant Examiner—Susan Bennett Hattan

(**) **Term:** **14 Years**

(74) *Attorney, Agent, or Firm*—Knoble Yoshida &
Dunleavy, LLC

(21) Appl. No.: **29/208,061**

(57) **CLAIM**

(22) Filed: **Jun. 23, 2004**

The ornamental design for a “closure,” as shown and
described.

(51) **LOC (8) Cl.** **09-07**

(52) **U.S. Cl.** **D9/447**

(58) **Field of Search** D9/759, 751, 741,
D9/739, 737, 515, 499, 454, 453, 434,
446–450, 439–440, 435, 436; D7/398, 392;
383/80; 222/575, 566, 556, 553, 544–546,
491; 215/237

DESCRIPTION

(56) **References Cited**

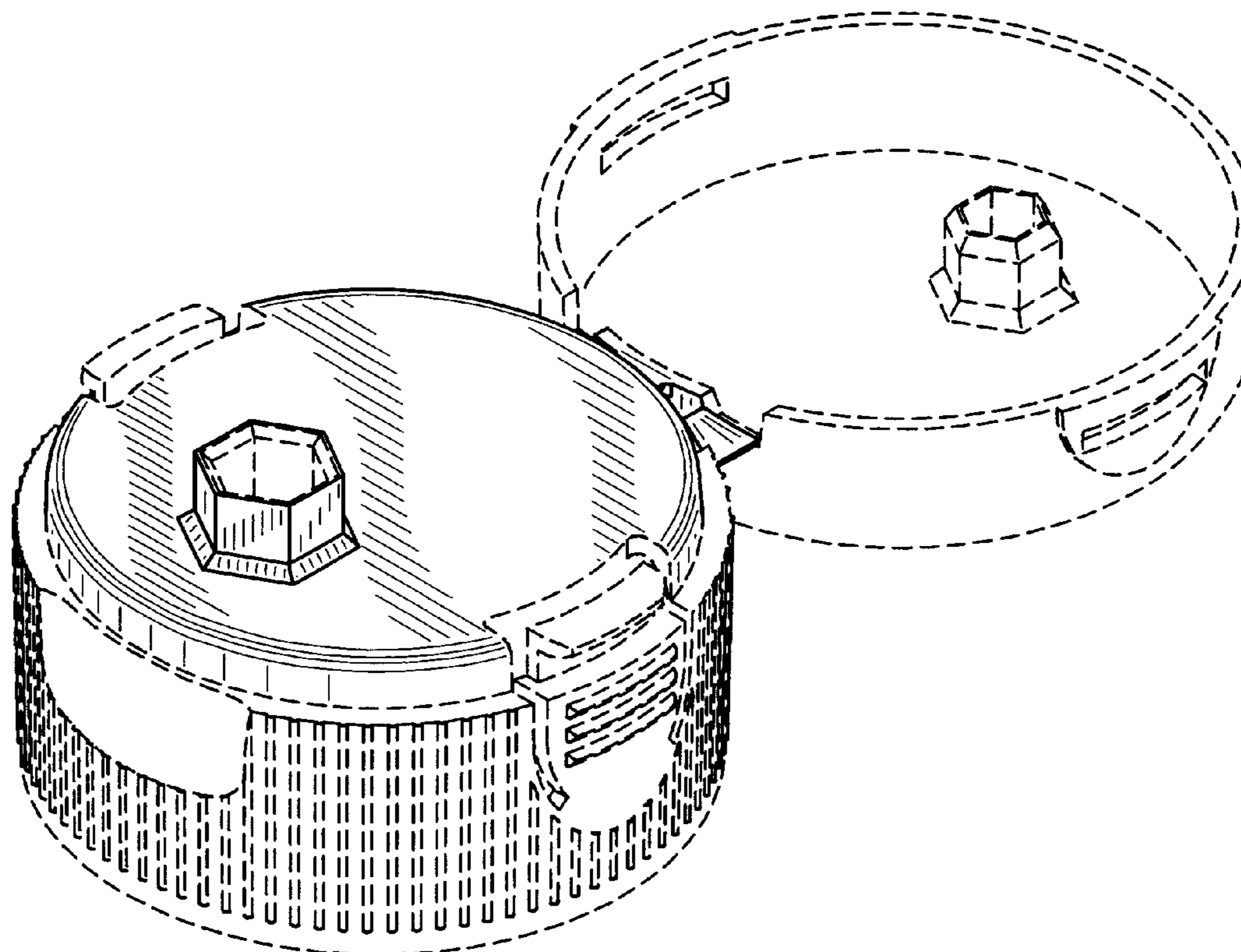
U.S. PATENT DOCUMENTS

4,183,167 A * 1/1980 Jatich 446/118
D284,158 S * 6/1986 Gerber D7/392
D361,512 S * 8/1995 Dalmaz D9/440
5,579,957 A 12/1996 Gentile et al.
5,823,387 A * 10/1998 Manadanas et al. 222/575
6,116,981 A * 9/2000 Zheng 446/106

FIG. 1 is a perspective view showing our new design;
FIG. 2 is a first side elevational view;
FIG. 3 is a second side elevational view;
FIG. 4 is a top plan view;
FIG. 5 is a bottom plan view;
FIG. 6 is a front elevational view showing a portion of the
design; and,
FIG. 7 is a rear elevational view showing a portion of the
design.

The broken lines in the drawings depict probable environ-
ment only and form no part of the claimed design.

1 Claim, 6 Drawing Sheets



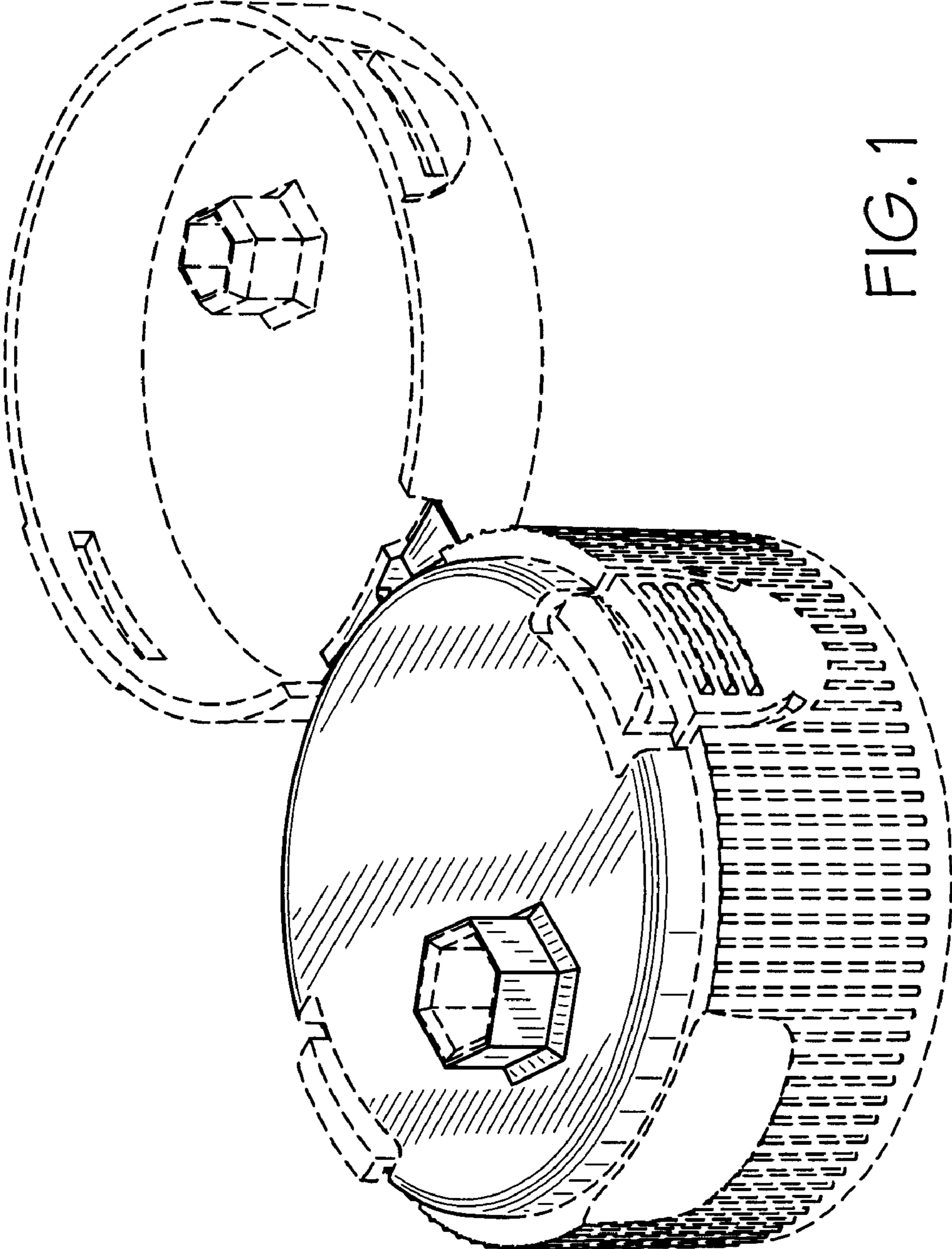


FIG. 1

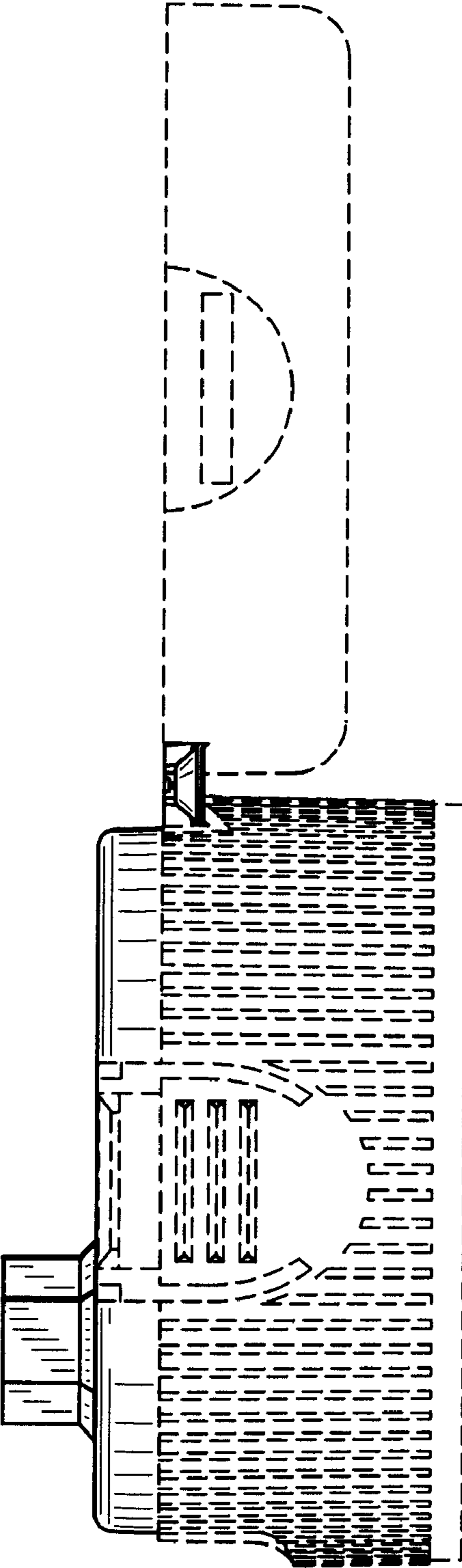


FIG. 2

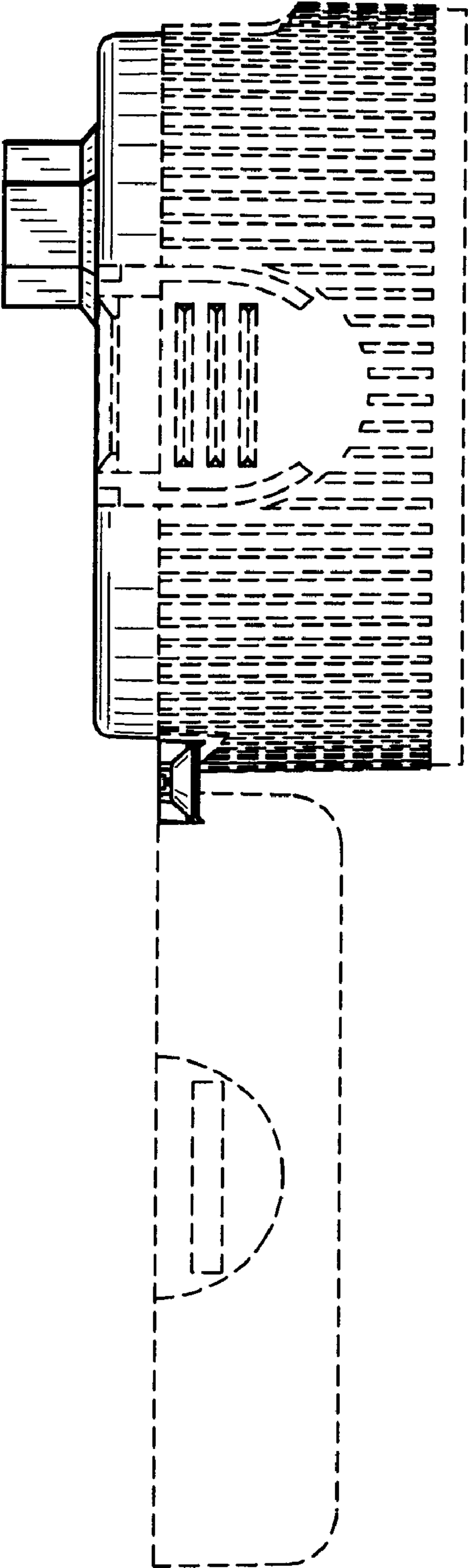


FIG. 3

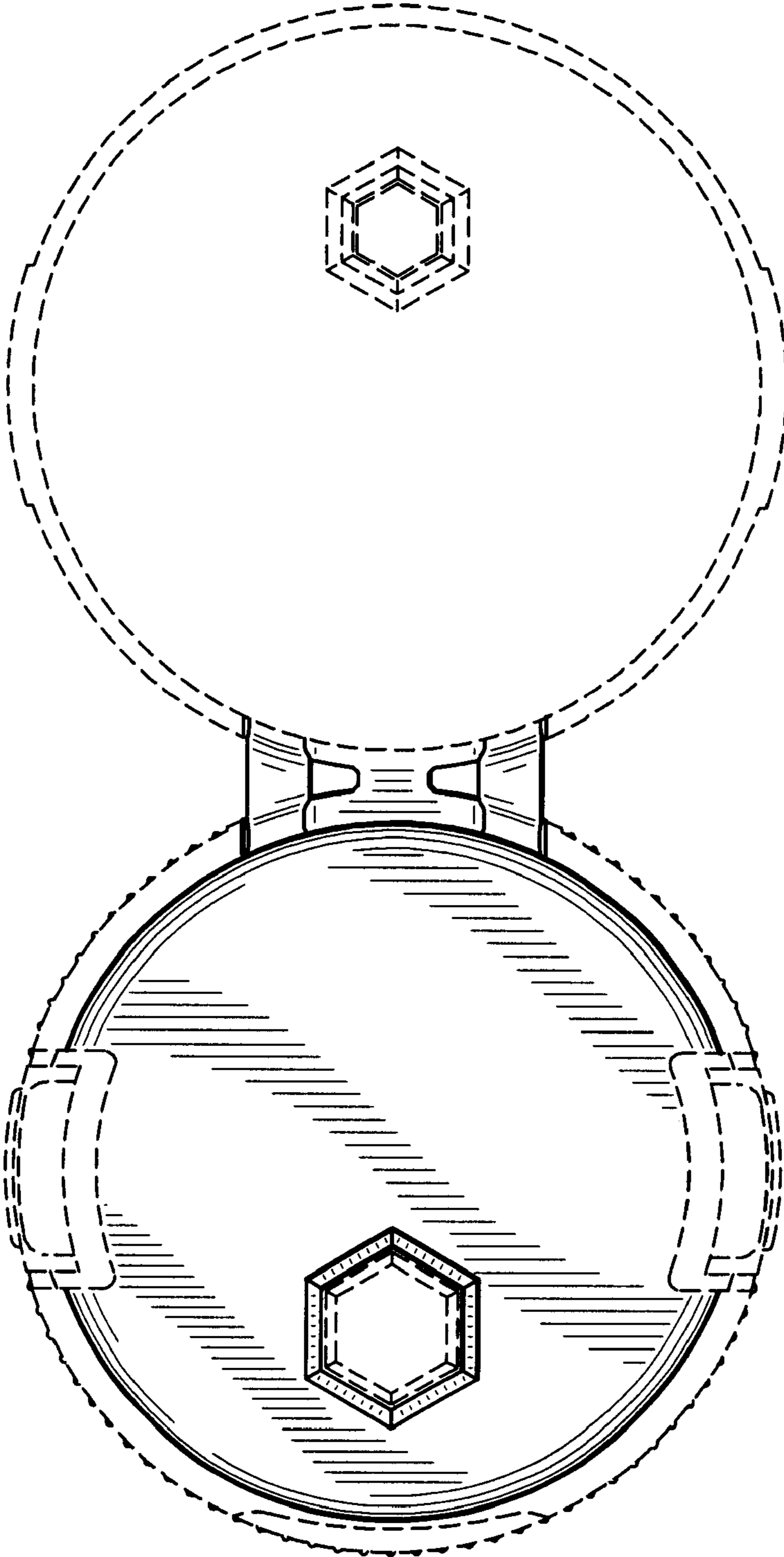


FIG. 4

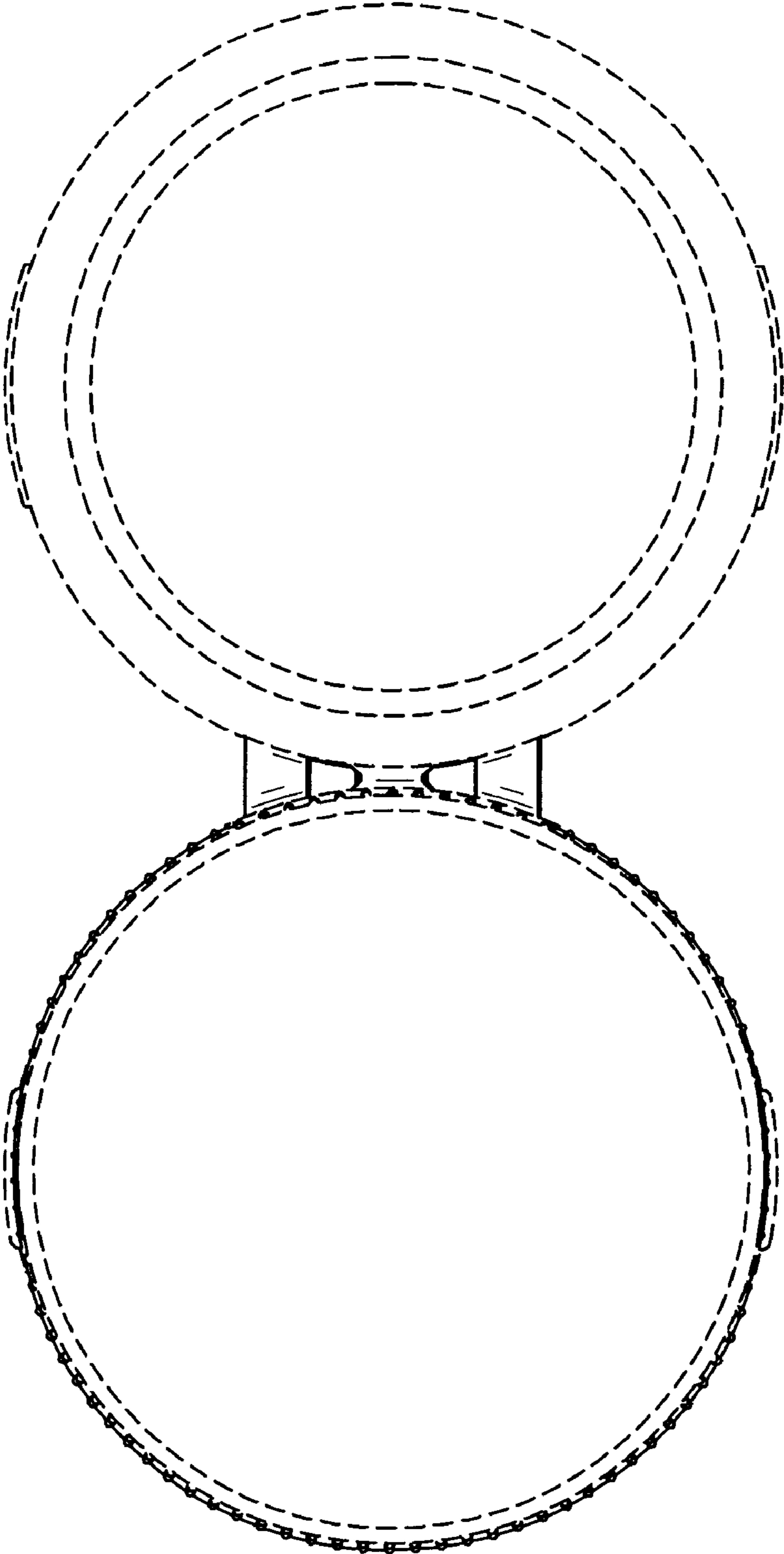


FIG. 5

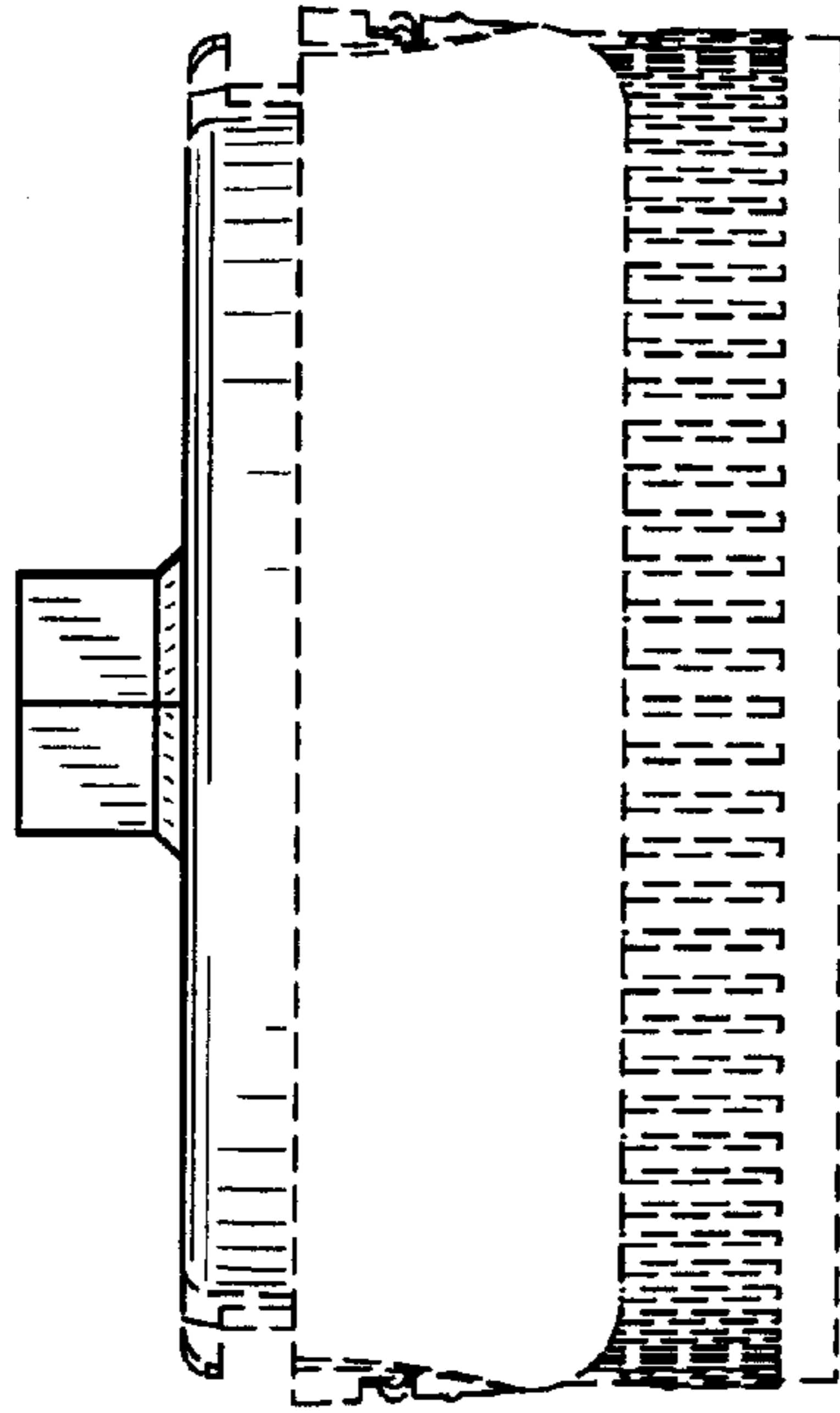


FIG. 7

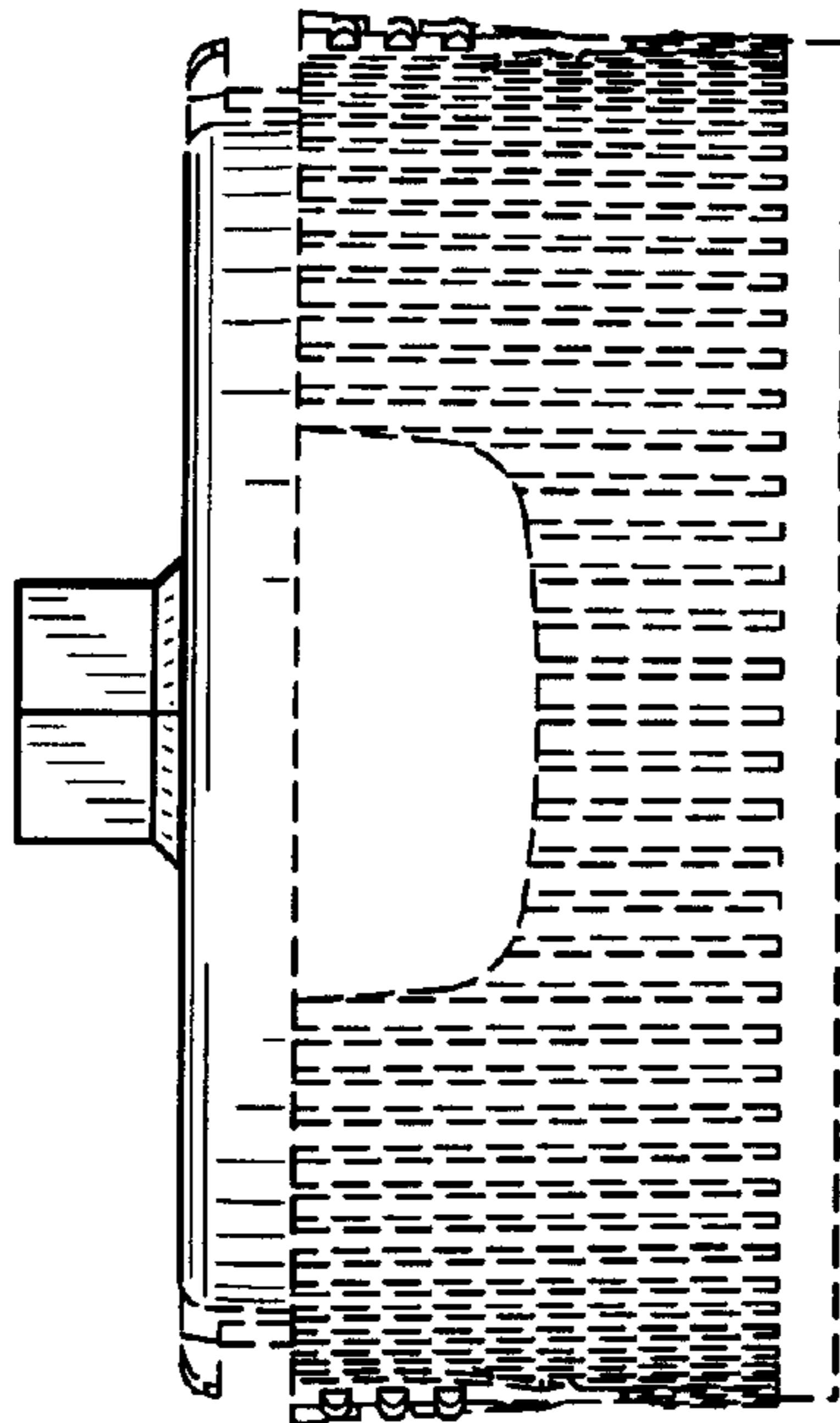


FIG. 6