

US00D509137S

(12) **United States Design Patent**  
**Hierzer et al.**

(10) **Patent No.: US D509,137 S**  
(45) **Date of Patent: \*\* Sep. 6, 2005**

(54) **CLOSURE**

(75) Inventors: **Valentin Hierzer**, Arlington Heights, IL (US); **Rick Gaiser**, Burlington, WI (US)

(73) Assignee: **Crown Packaging Technology, Inc.**, Alsip, IL (US)

(\*\*) Term: **14 Years**

(21) Appl. No.: **29/208,028**

(22) Filed: **Jun. 23, 2004**

(51) **LOC (8) Cl.** ..... **09-07**

(52) **U.S. Cl.** ..... **D9/447**

(58) **Field of Search** ..... D9/759, 751, 741, D9/739, 737, 515, 499, 454, 453, 434, 446-450, 439-440, 435, 436; D7/398, 392; 383/80; 222/575, 566, 556, 553, 544-546, 491; 215/237

(56) **References Cited**

**U.S. PATENT DOCUMENTS**

3,255,937 A *	6/1966	Jarrett	.....	D9/450
5,579,957 A	12/1996	Gentile et al.		
5,969,952 A *	10/1999	Hayashi et al.	.....	361/774
6,722,536 B2 *	4/2004	Bremner et al.	.....	222/575

**FOREIGN PATENT DOCUMENTS**

WO WO 99/29585 6/1999

\* cited by examiner

*Primary Examiner*—Robert M. Spear

*Assistant Examiner*—Susan Bennett Hattan

(74) *Attorney, Agent, or Firm*—Knoble Yoshida & Dunleavy, LLC

(57) **CLAIM**

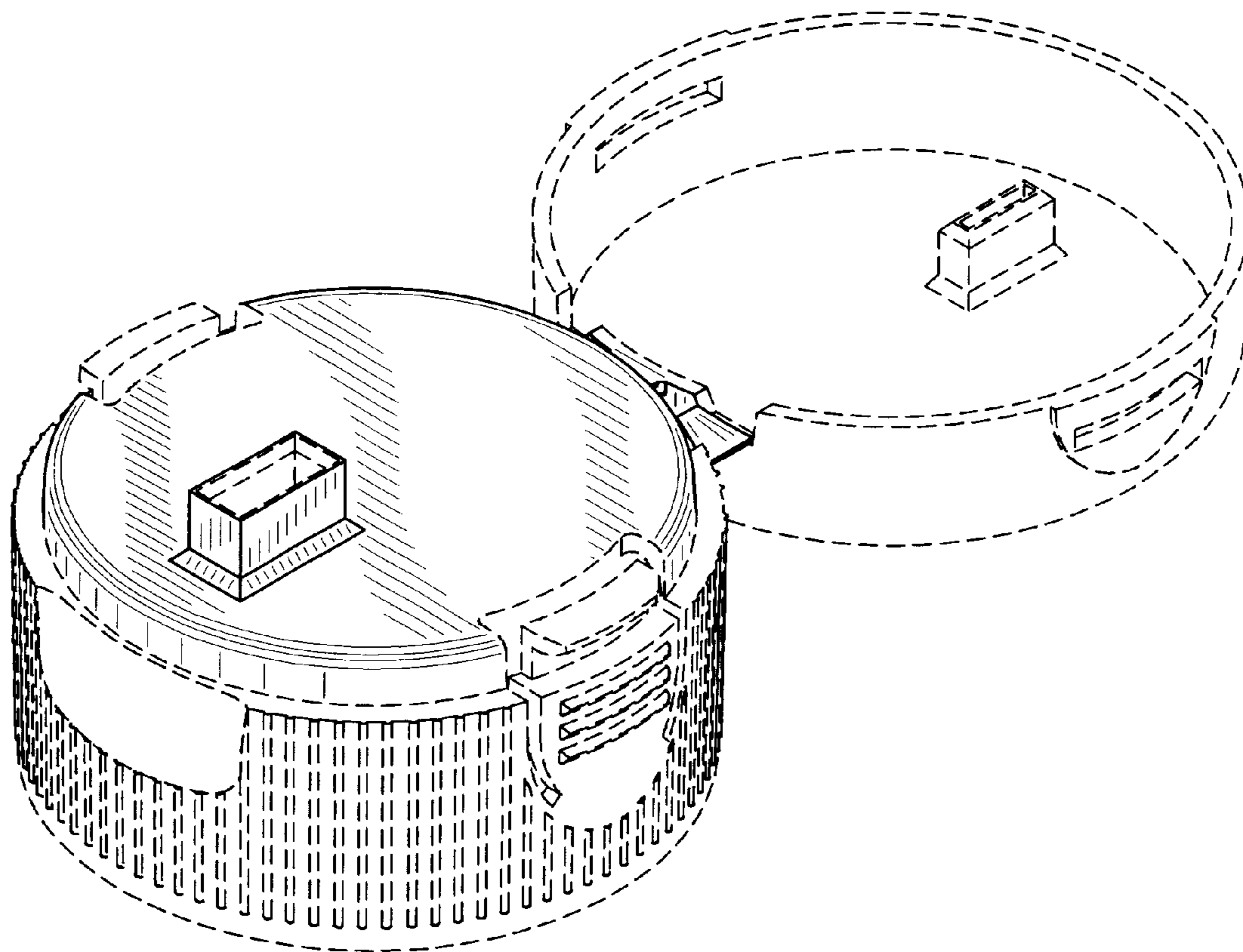
The ornamental design for a “closure,” as shown and described.

**DESCRIPTION**

FIG. 1 is a perspective view showing our new design; FIG. 2 is a first side elevational view; FIG. 3 is a second side elevational view; FIG. 4 is a top plan view; FIG. 5 is a bottom plan view; FIG. 6 is a front elevational view showing a portion of the design; and, FIG. 7 is a rear elevational view showing a portion of the design.

The broken lines in the drawings depict probable environment only and form no part of the claimed design.

**1 Claim, 6 Drawing Sheets**



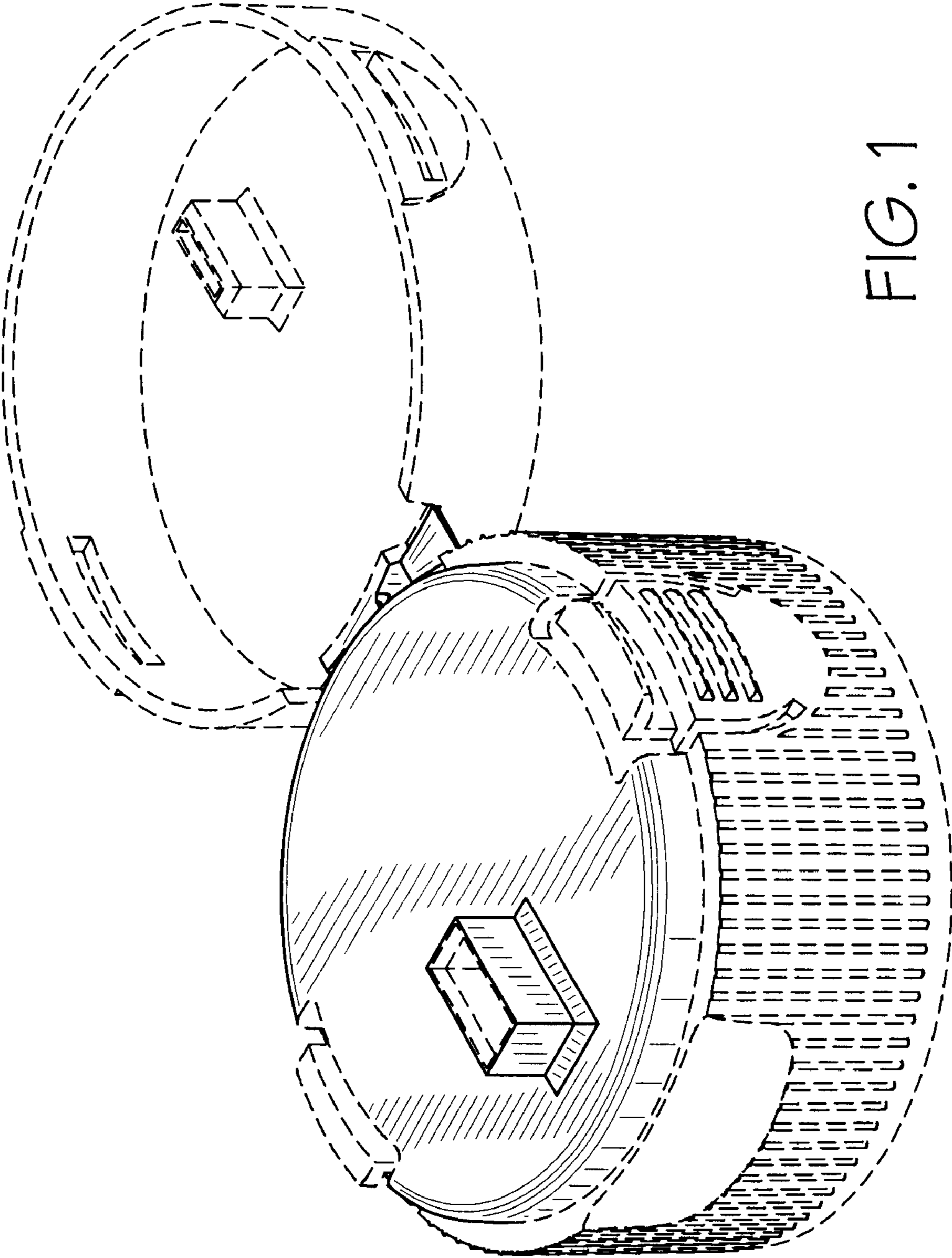


FIG. 1

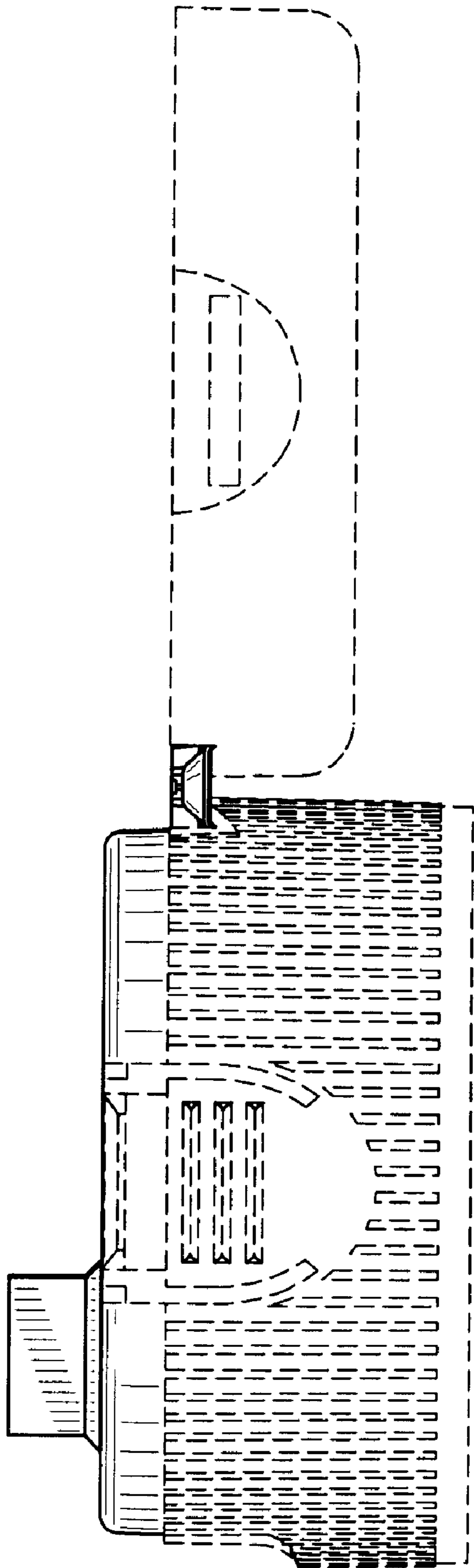


FIG. 2

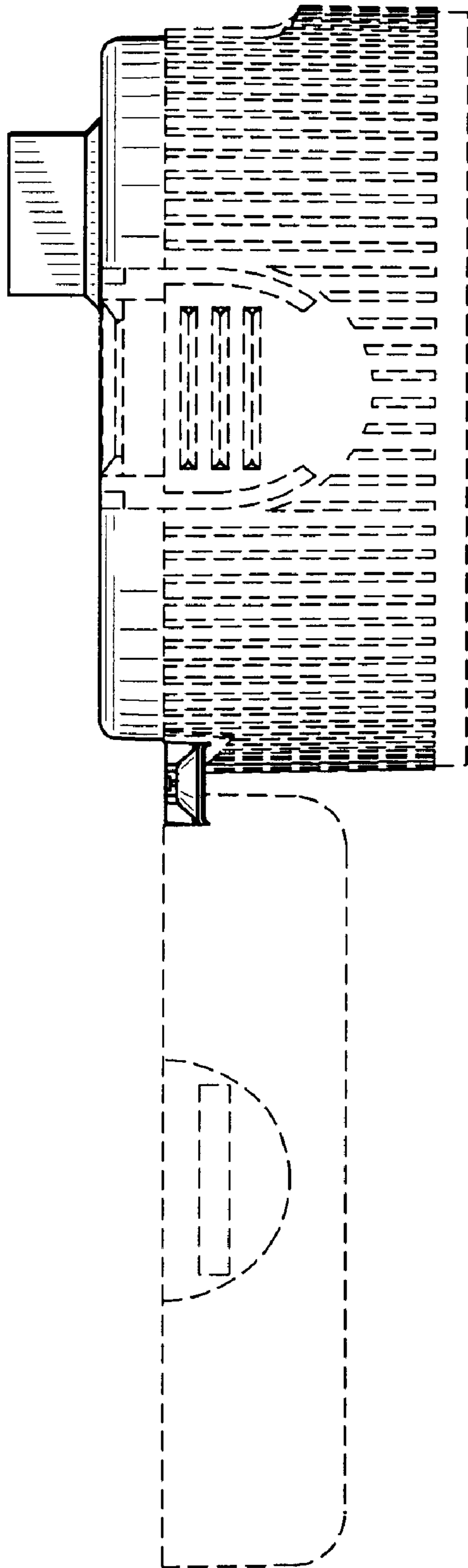


FIG. 3

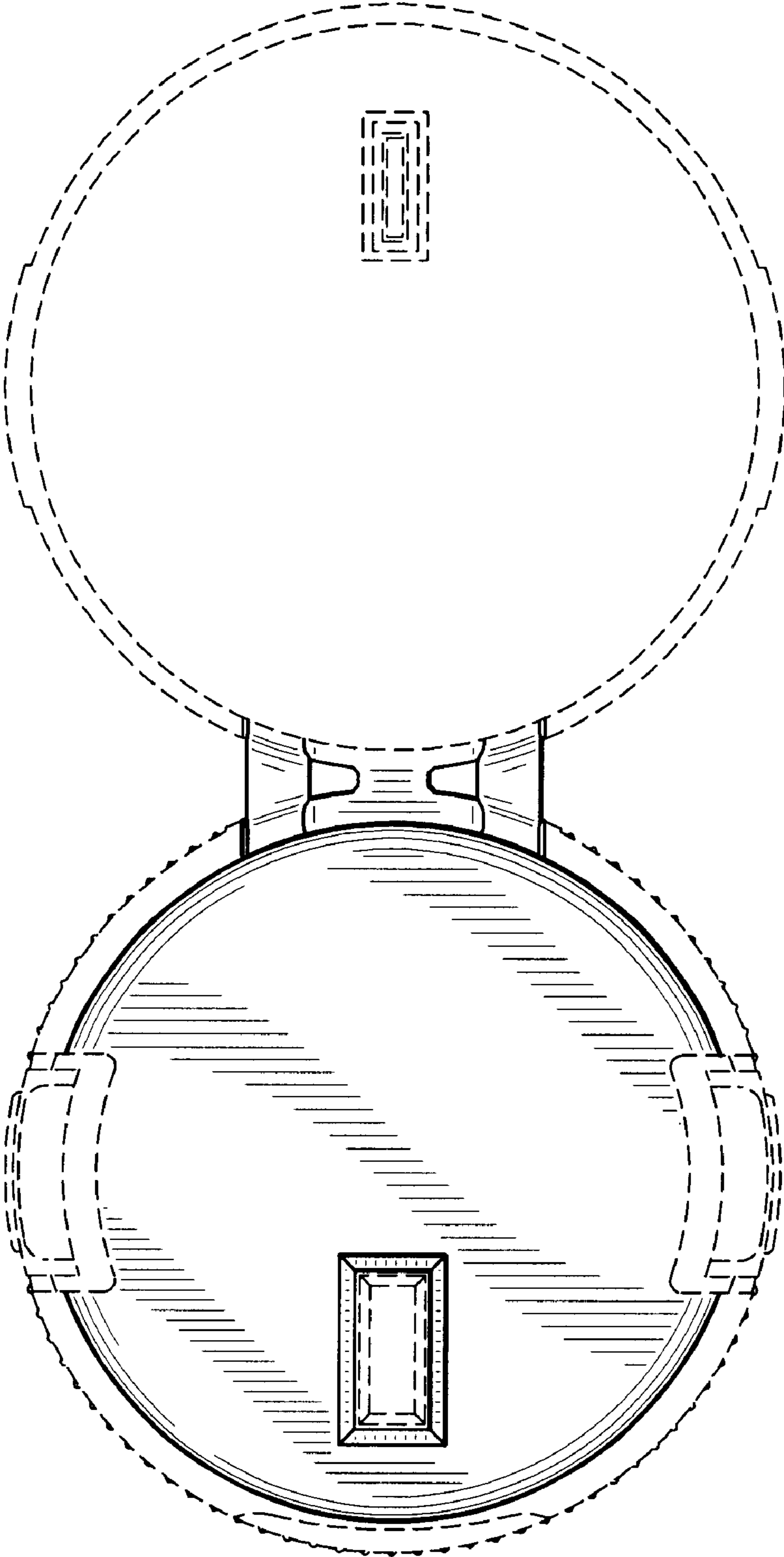


FIG. 4

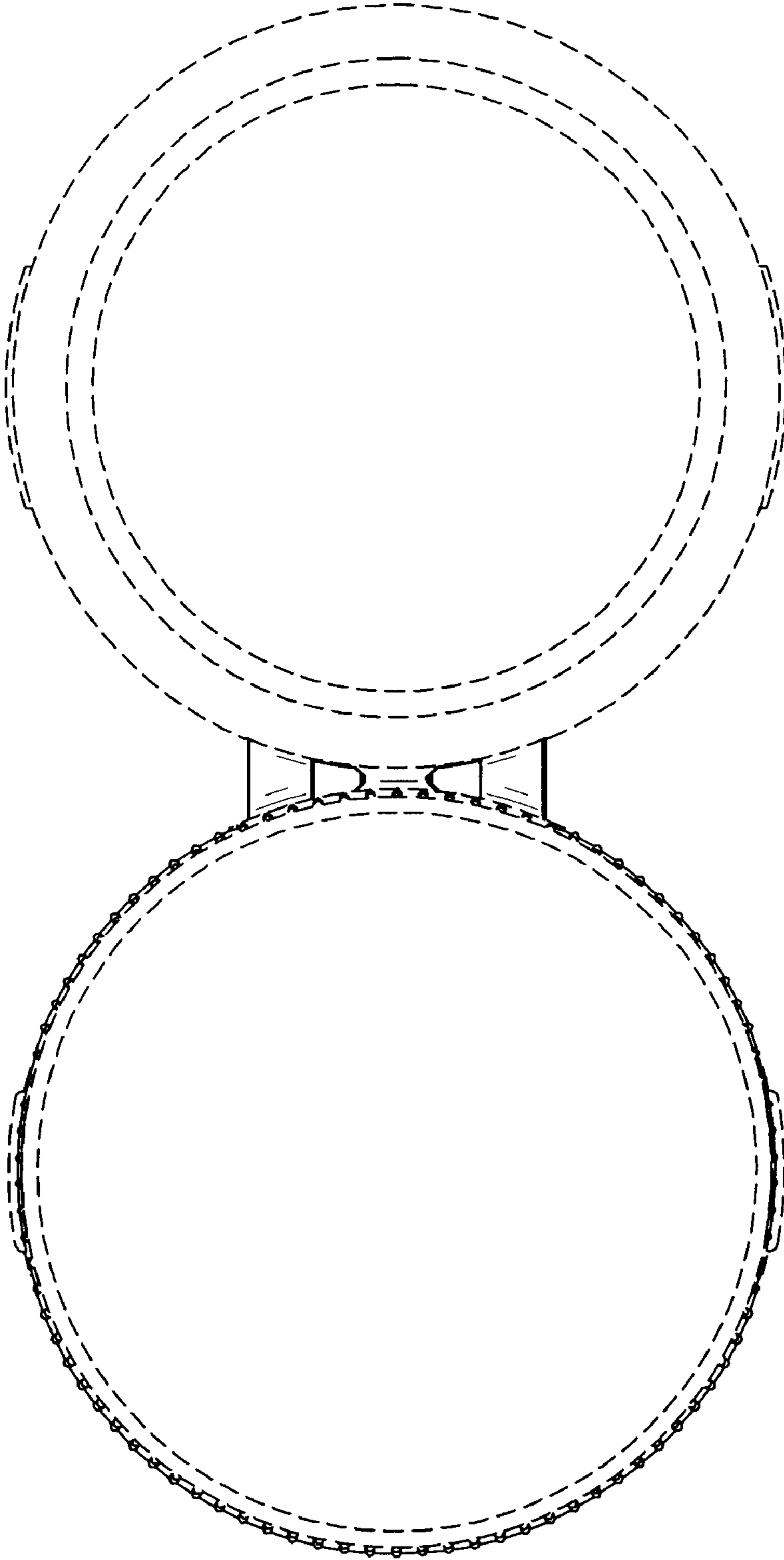


FIG. 5

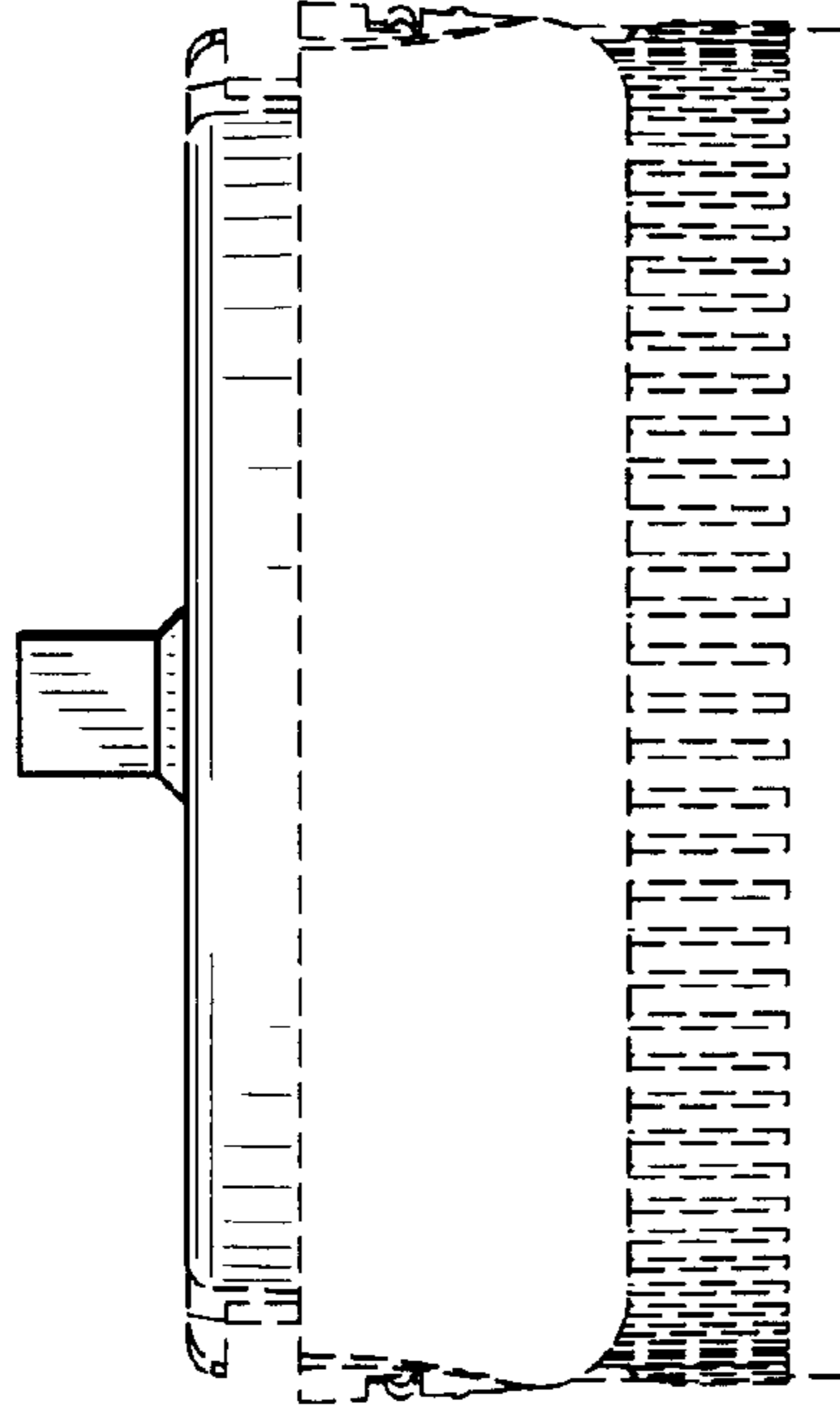


FIG. 6

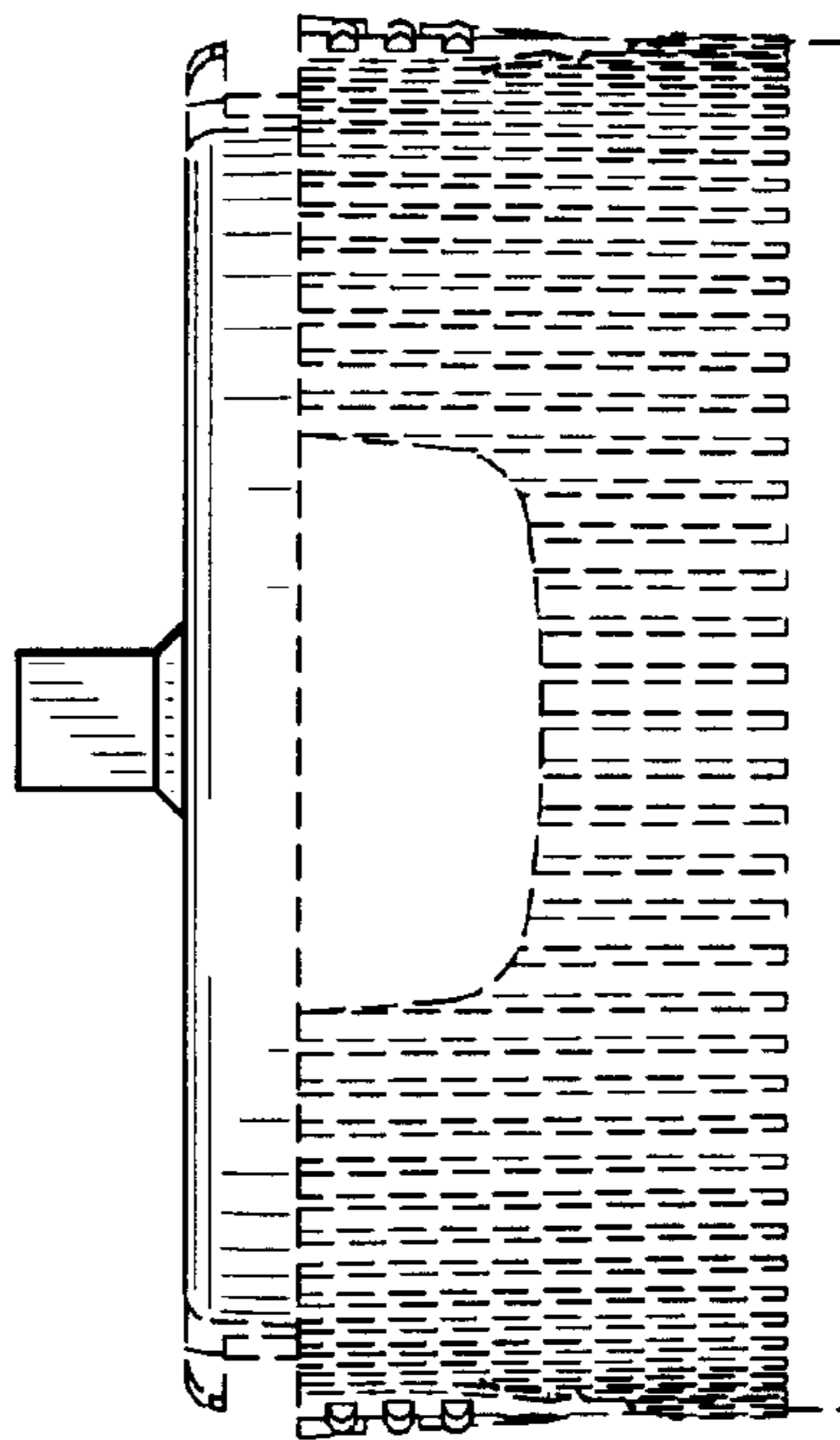


FIG. 7