

US00D509132S

(12) **United States Design Patent**
Au

(10) **Patent No.:** **US D509,132 S**
(45) **Date of Patent:** **** Sep. 6, 2005**

- (54) **JEWELRY DISPLAY BOX**
- (75) Inventor: **Kinsen Ka Fai Au**, Tuen Mun (HK)
- (73) Assignee: **Nationalpak Limited**, Tuen Mun (HK)
- (**) Term: **14 Years**
- (21) Appl. No.: **29/208,132**
- (22) Filed: **Jun. 25, 2004**
- (51) **LOC (8) Cl.** **09-03**
- (52) **U.S. Cl.** **D9/420; D9/422; D3/294; D3/903**
- (58) **Field of Search** D9/420-426, 414, D9/428, 429, 430, 432; D3/201, 294, 903, 273; 206/6.1, 566, 736, 765, 766, 759, 823; 220/4.24, 4.25, 213, 253, 810, 825, 837, 839; 229/116.1

- D303,765 S * 10/1989 Kaplan D9/423
- D312,781 S * 12/1990 Rigby D9/420
- D337,049 S * 7/1993 Morgan et al. D9/420
- D403,158 S * 12/1998 Au D3/294

* cited by examiner

Primary Examiner—Prabhakar Deshmukh
(74) *Attorney, Agent, or Firm*—Raymond Y. Chan; David & Raymond

(57) **CLAIM**

The ornamental design for a jewelry display box, as shown.

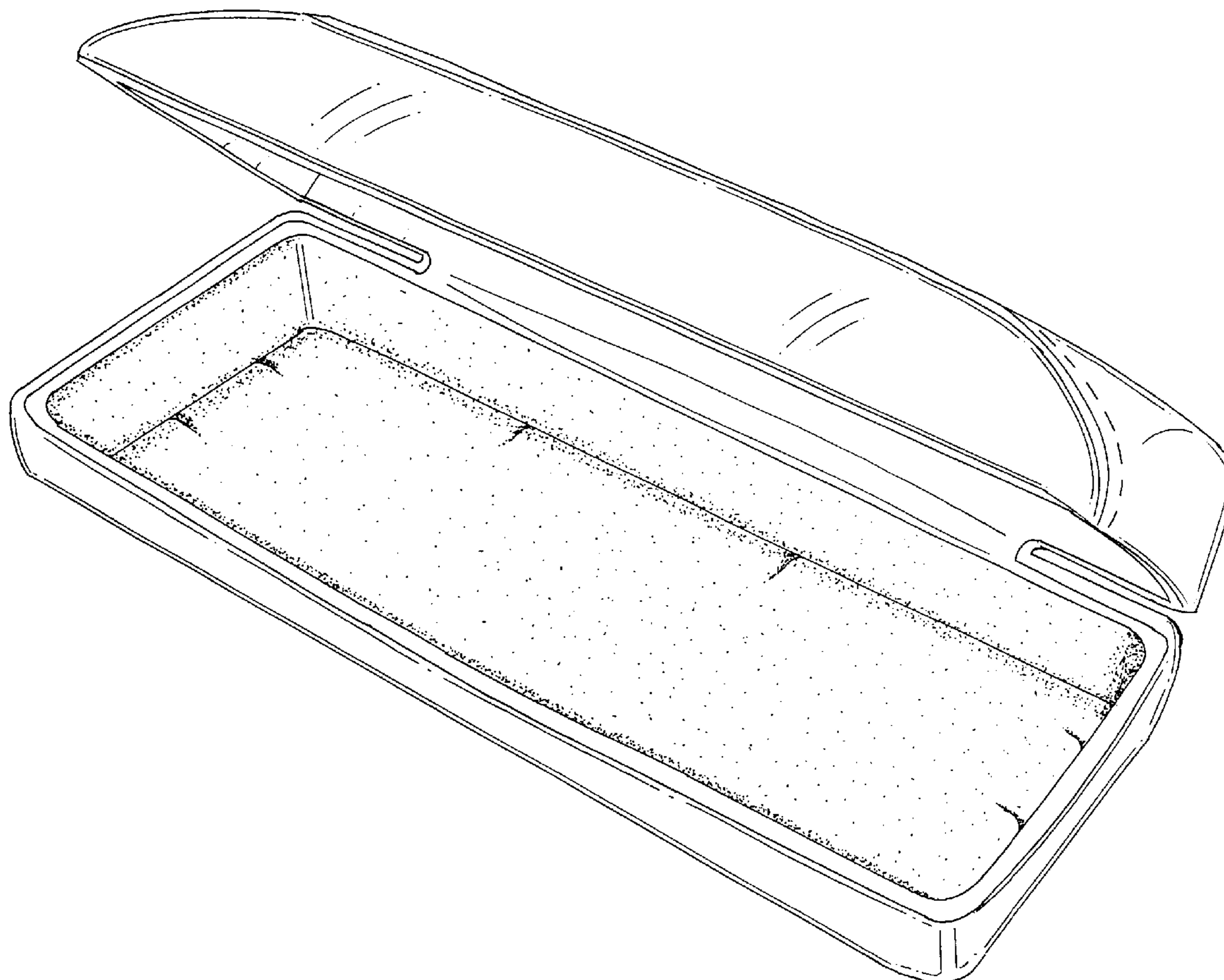
DESCRIPTION

FIG. 1 is a perspective view showing my new design.
FIG. 2 is a front view thereof.
FIG. 3 is a rear view thereof.
FIG. 4 is a left end view thereof.
FIG. 5 is a right end view thereof.
FIG. 6 is a top view thereof.
FIG. 7 is a bottom view thereof; and,
FIG. 8 is a perspective view showing an opening position thereof.

(56) **References Cited**
U.S. PATENT DOCUMENTS

- D130,273 S * 11/1941 Jensen D9/423
- 2,919,023 A * 12/1959 Braun 206/565
- D240,204 S * 6/1976 Ferguson D9/422

1 Claim, 5 Drawing Sheets



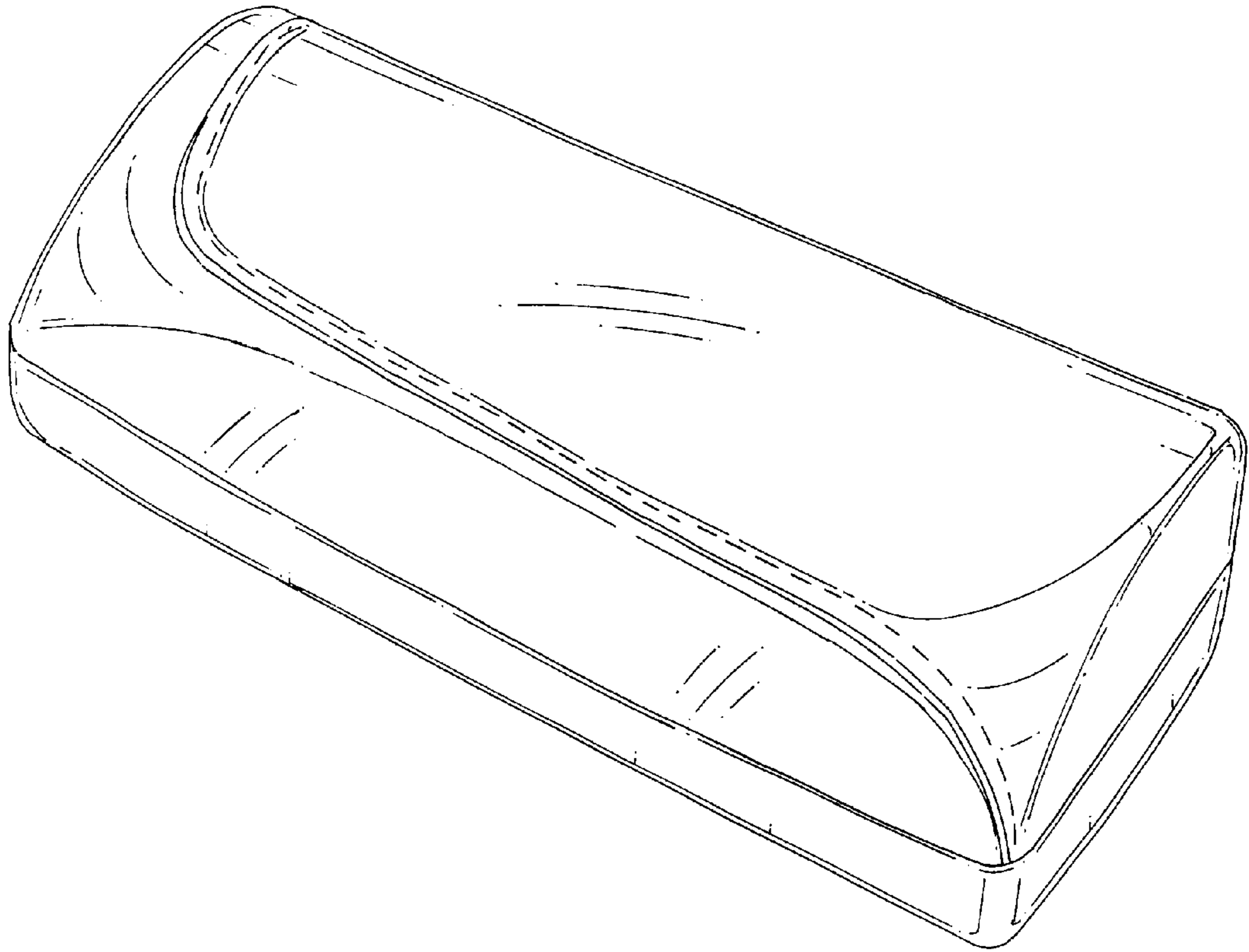


FIG. 1

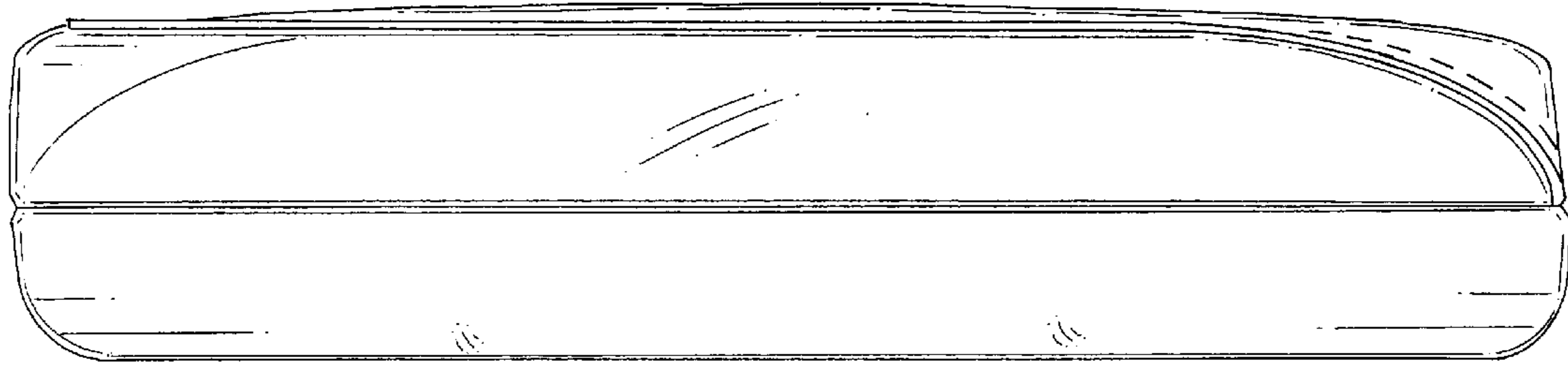


FIG. 2

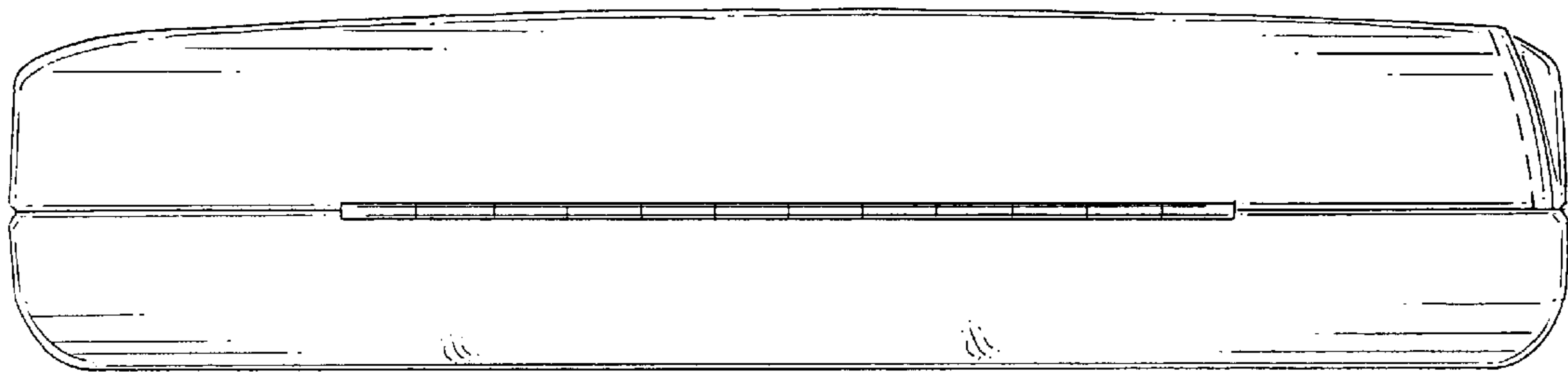


FIG. 3

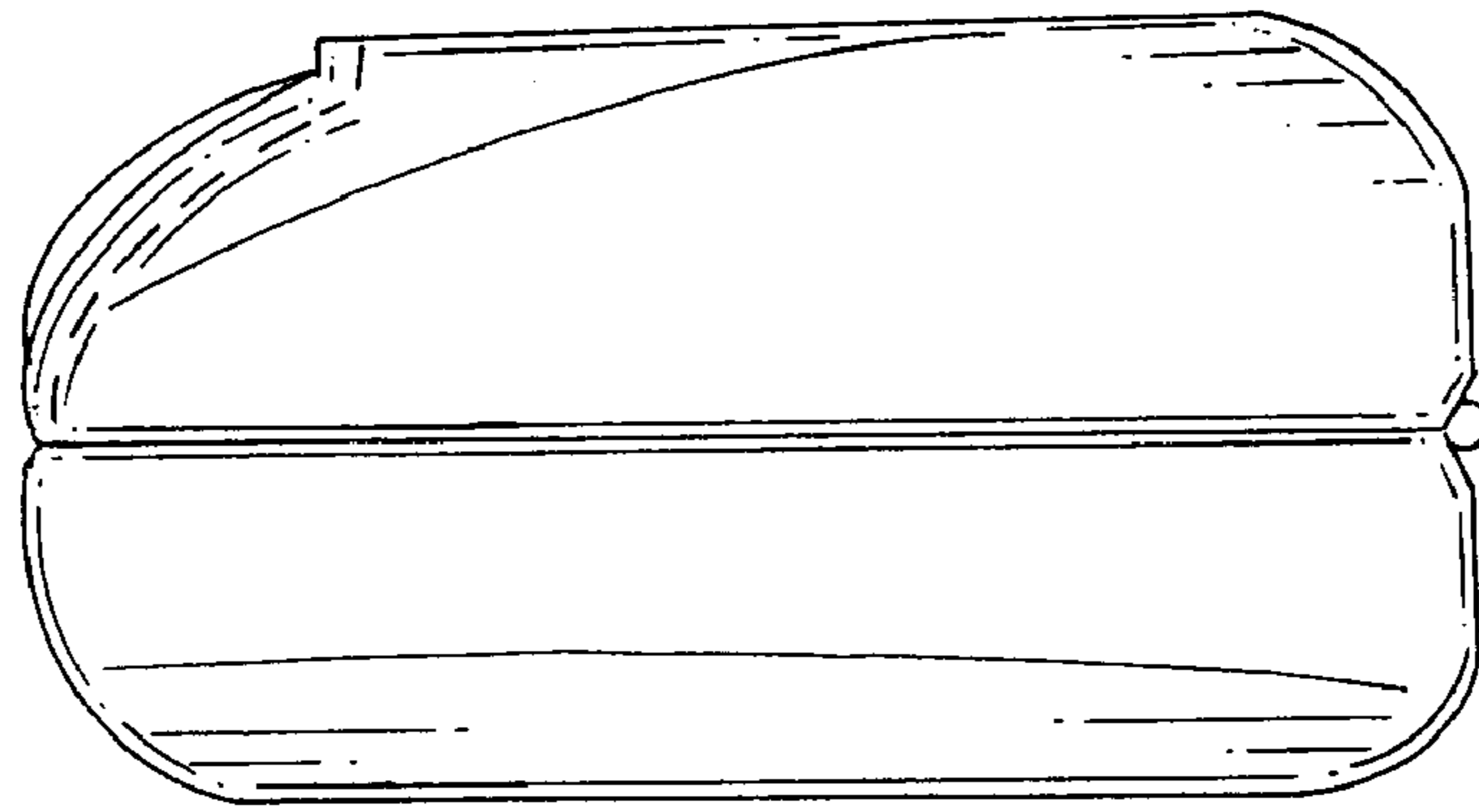


FIG. 4

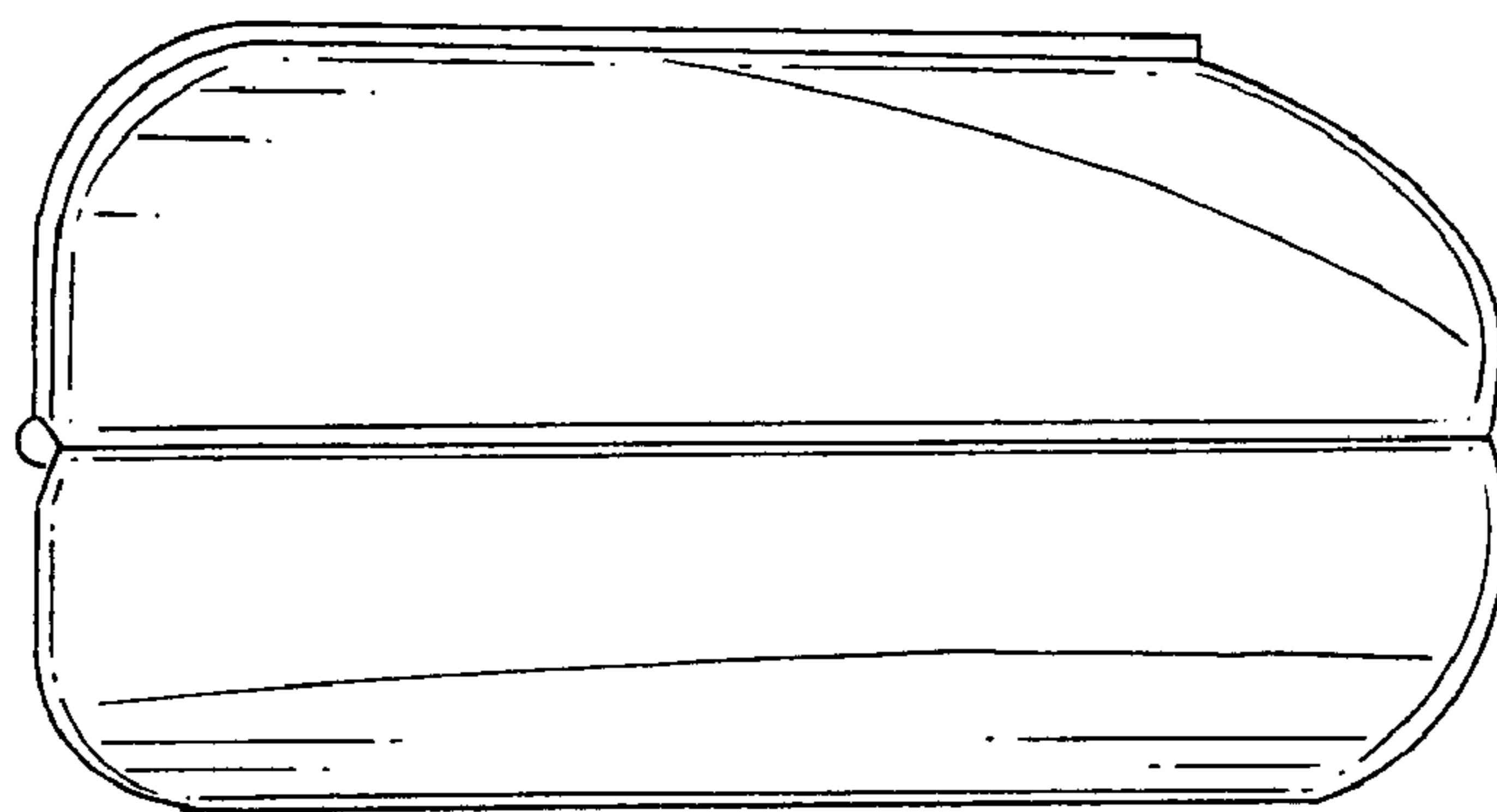


FIG. 5

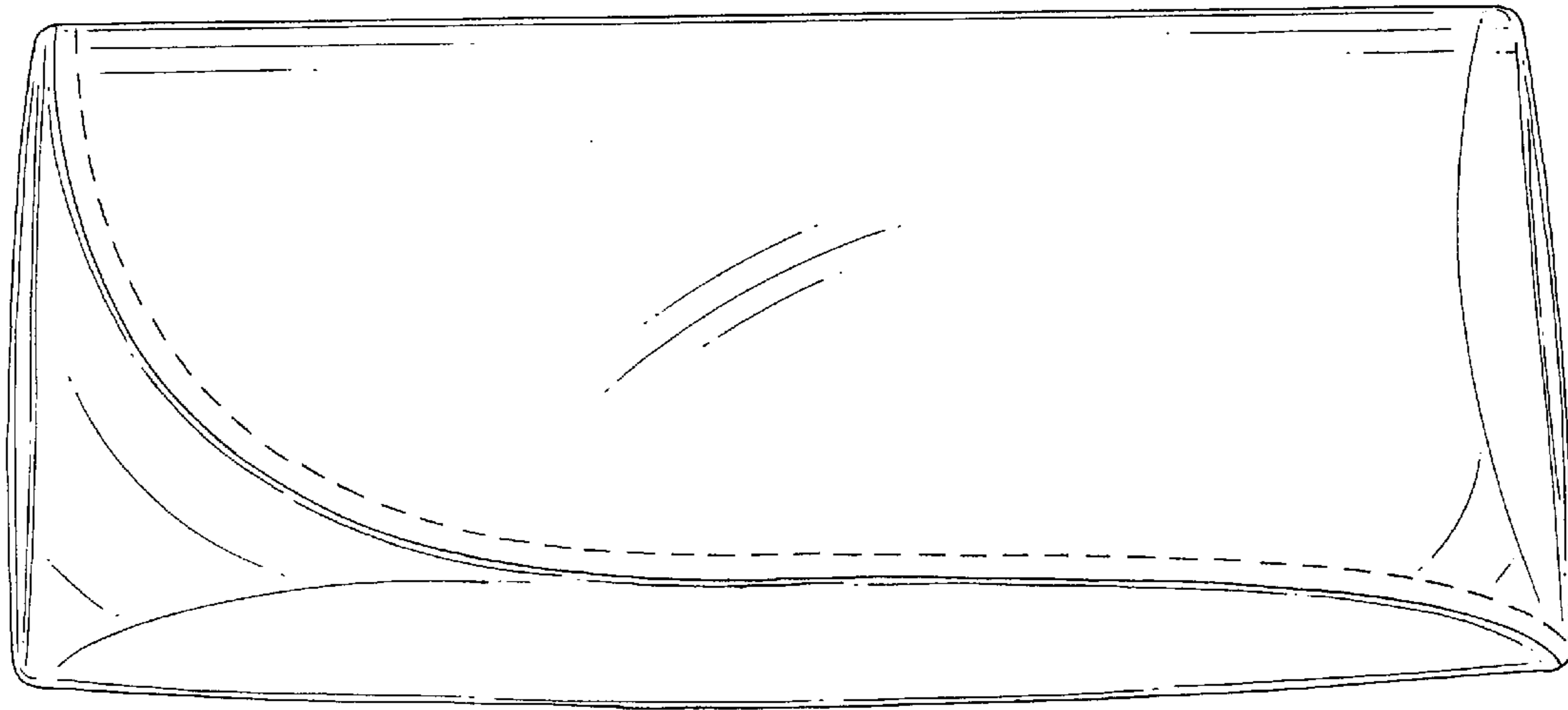


FIG. 6

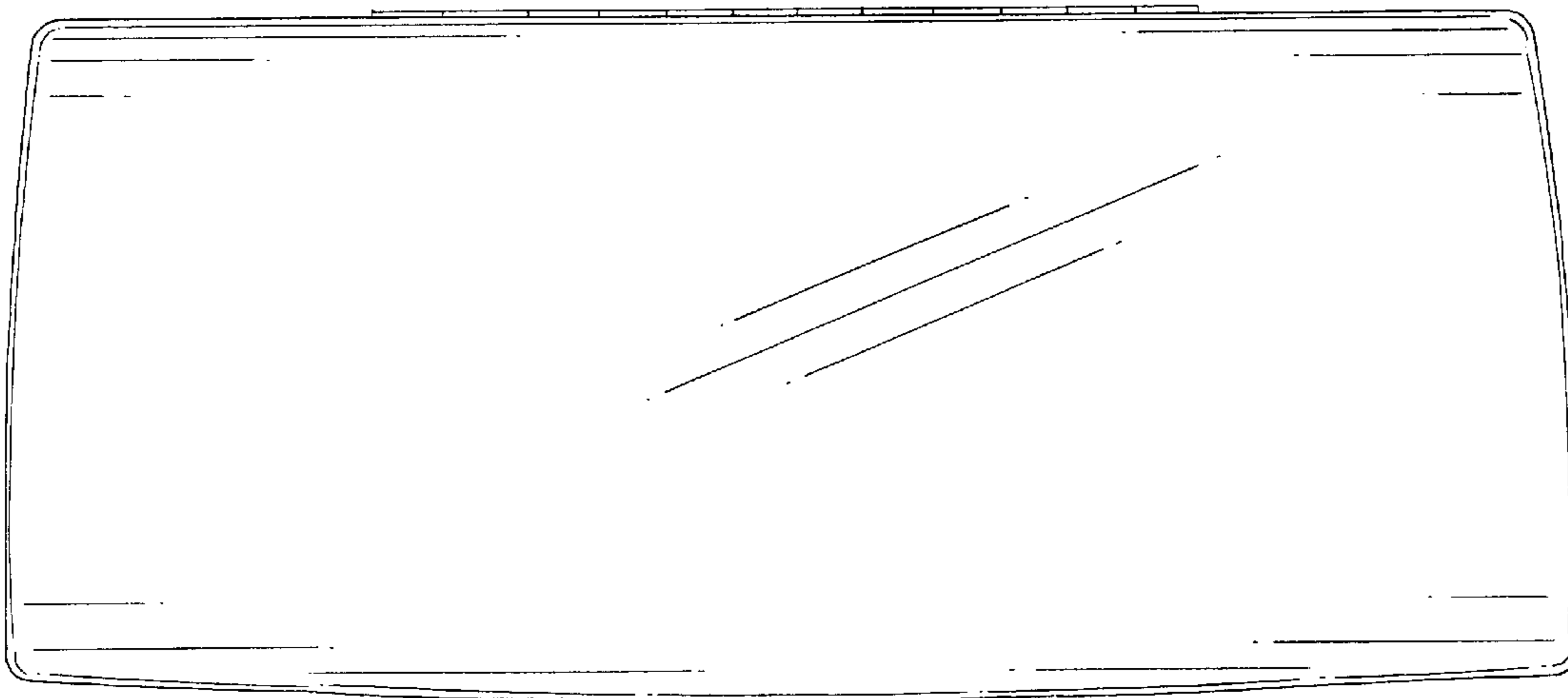


FIG. 7

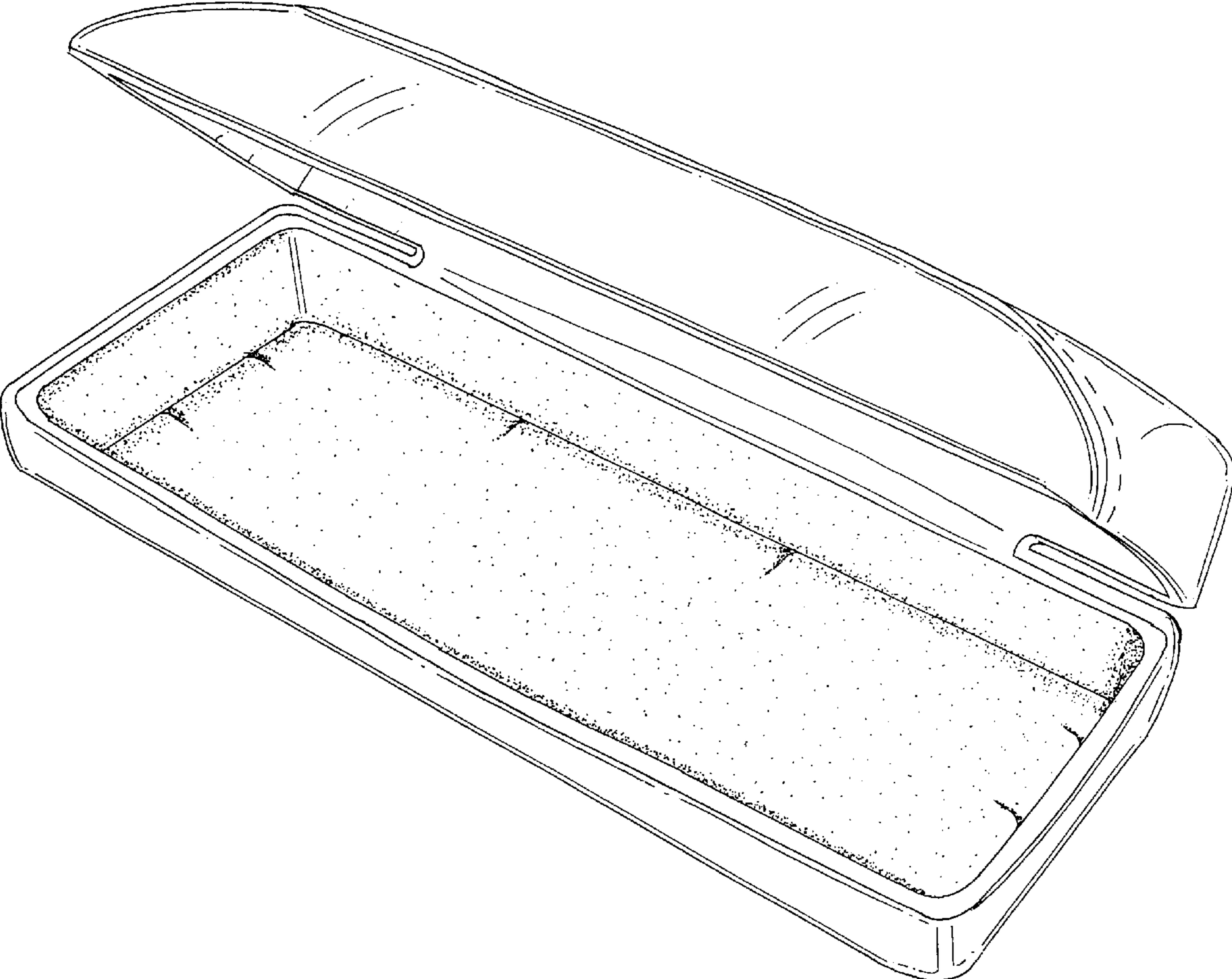


FIG.8