

US00D509130S

(12) **United States Design Patent**
Amy

(10) **Patent No.:** **US D509,130 S**
(45) **Date of Patent:** **** Sep. 6, 2005**

(54) **DOOR CATCH FOR HOLDING DOORS
OPEN OR CLOSED**

(76) **Inventor:** **Ron Amy**, P.O. Box 263, Penngrove,
CA (US) 94951

(**) **Term:** **14 Years**

(21) **Appl. No.:** **29/195,832**

(22) **Filed:** **Dec. 16, 2003**

(51) **LOC (8) Cl.** **08-08**

(52) **U.S. Cl.** **D8/402**

(58) **Field of Search** D8/402; 292/262,
292/268-270

(56) **References Cited**

U.S. PATENT DOCUMENTS

- 372,326 A * 11/1887 Palmenberg 292/268
- D210,933 S * 5/1968 Kimmel D8/402
- 4,062,578 A * 12/1977 Chen 292/262

* cited by examiner

Primary Examiner—Brian N Vinson
(74) *Attorney, Agent, or Firm*—Craig M. Stainbrook; Larry
D. Johnson; Johnson & Stainbrook, LLP

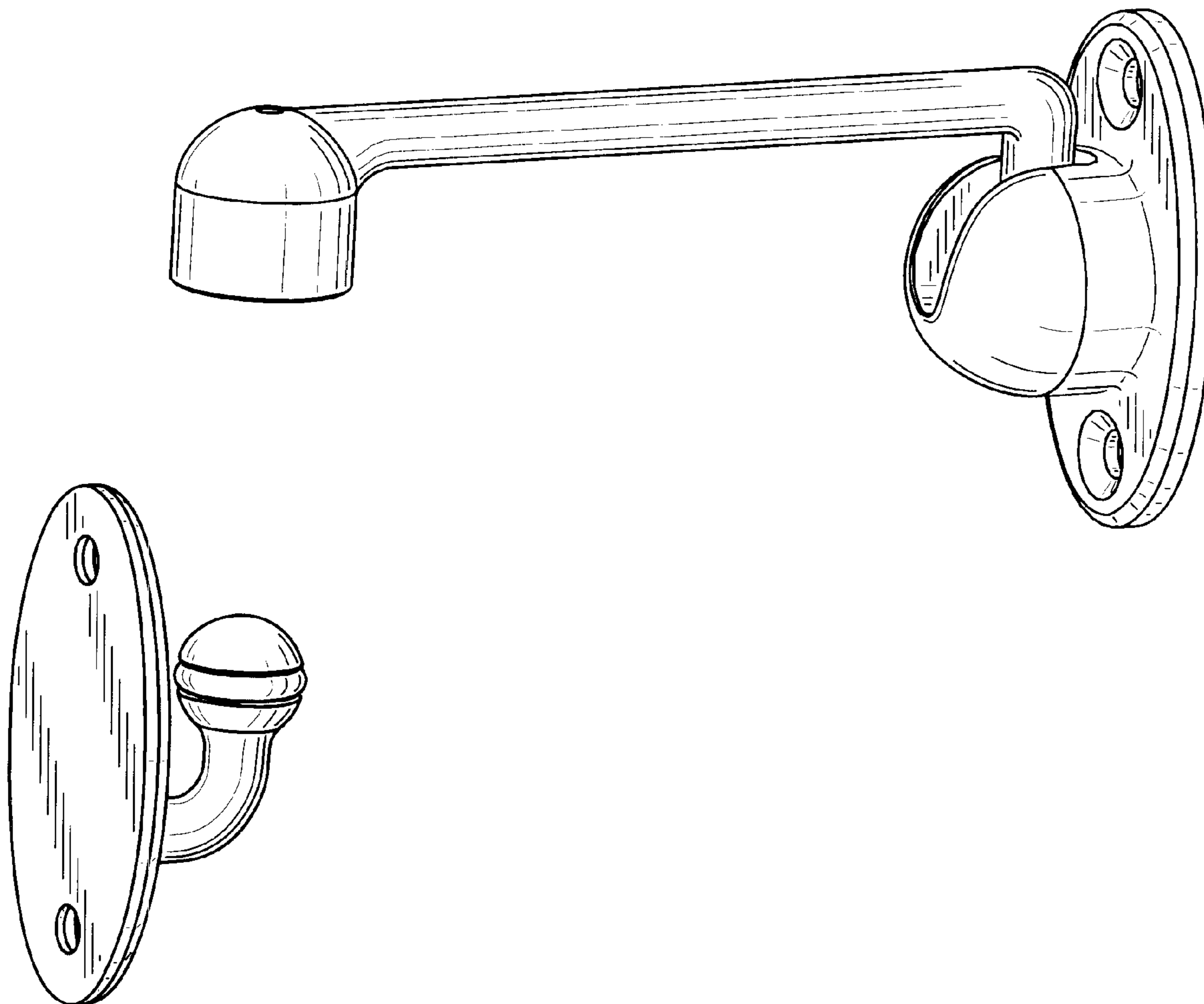
(57) **CLAIM**

The ornamental design for a door catch for holding doors
open or closed, as shown and described.

DESCRIPTION

FIG. 1 is a perspective view of a door catch for holding
doors open or closed showing my new design;
FIG. 2 is a vertical cross-sectional view thereof, taken thru
the center of the catch;
FIG. 3 is perspective view thereof, with the catch portion
omitted;
FIG. 4 is reduced top view thereof; and,
FIG. 5 is a perspective view thereof, used as a door latch
between a door and a door frame.
The broken-line disclosure in the views is for illustrative
purposes only and forms no part of the claimed design.

1 Claim, 5 Drawing Sheets



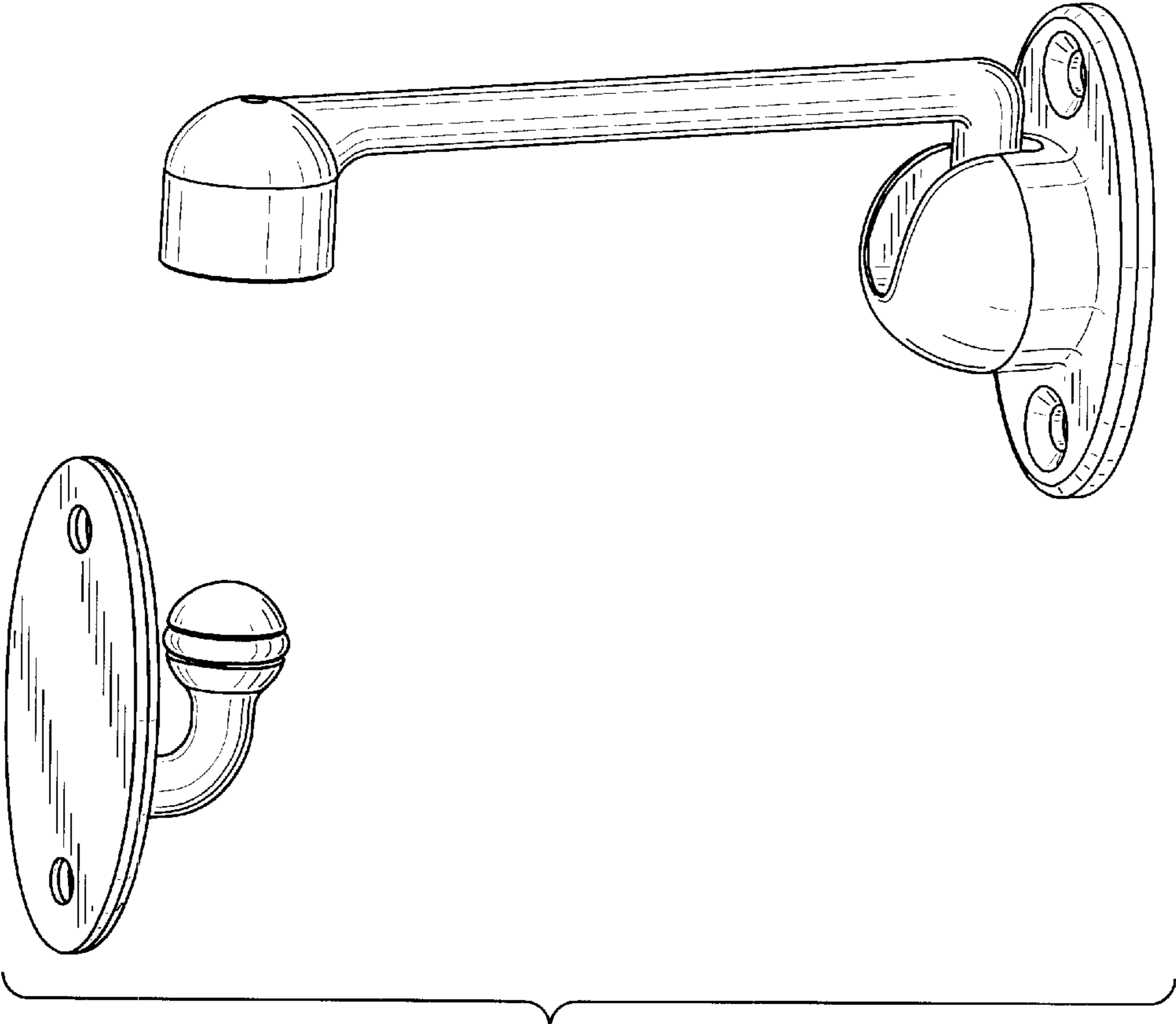


FIG. 1

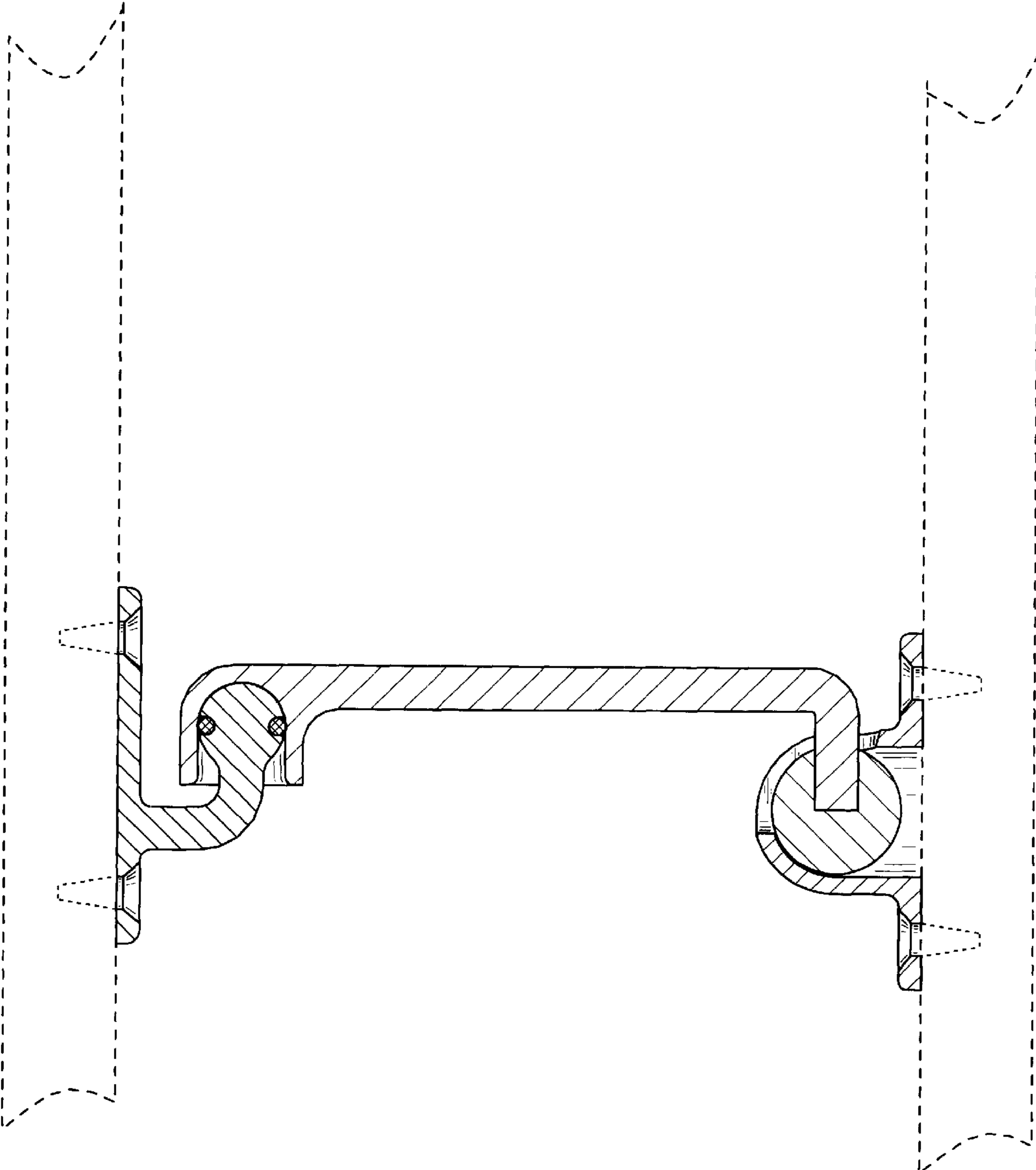


FIG._2

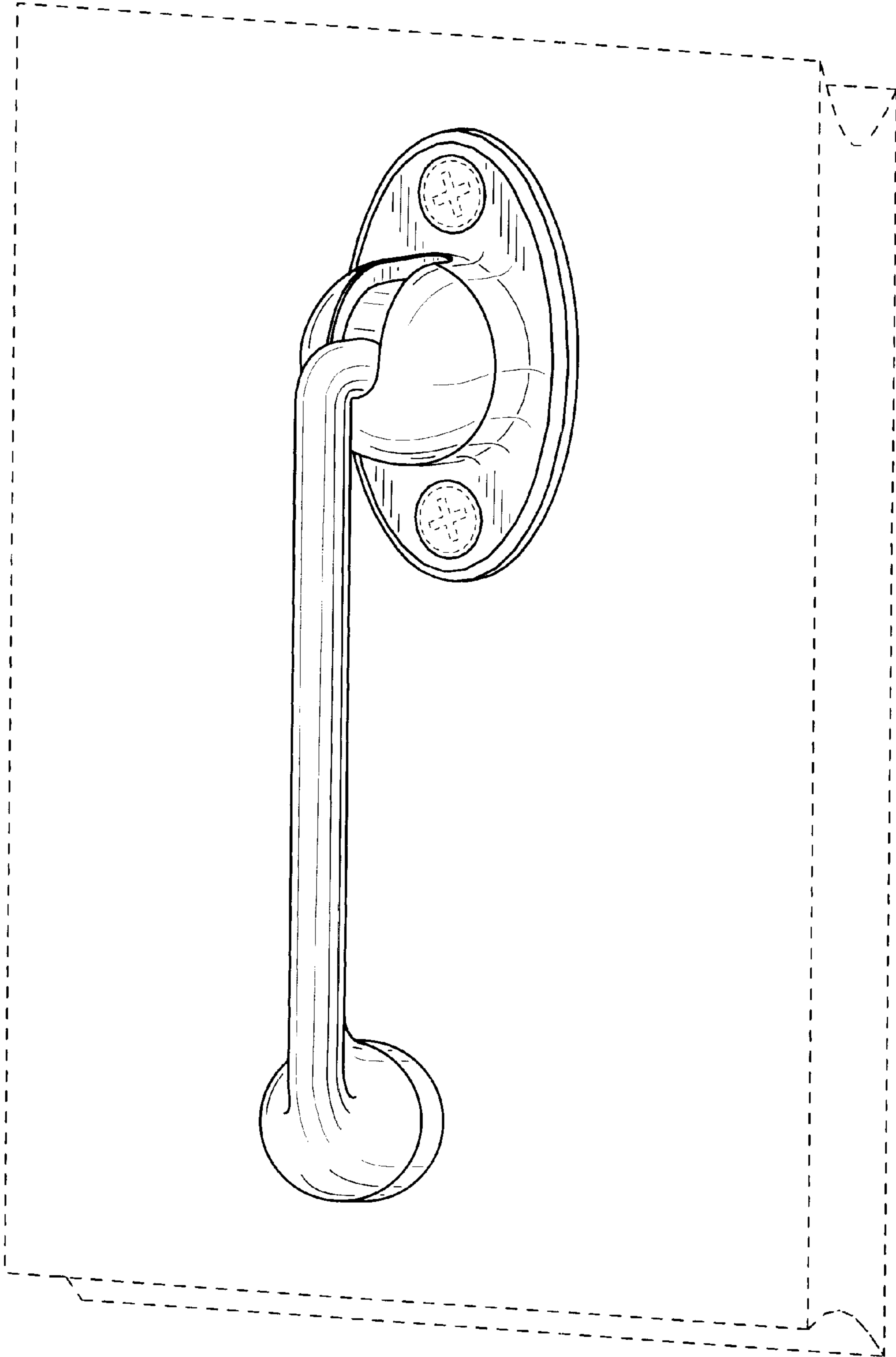


FIG. 3

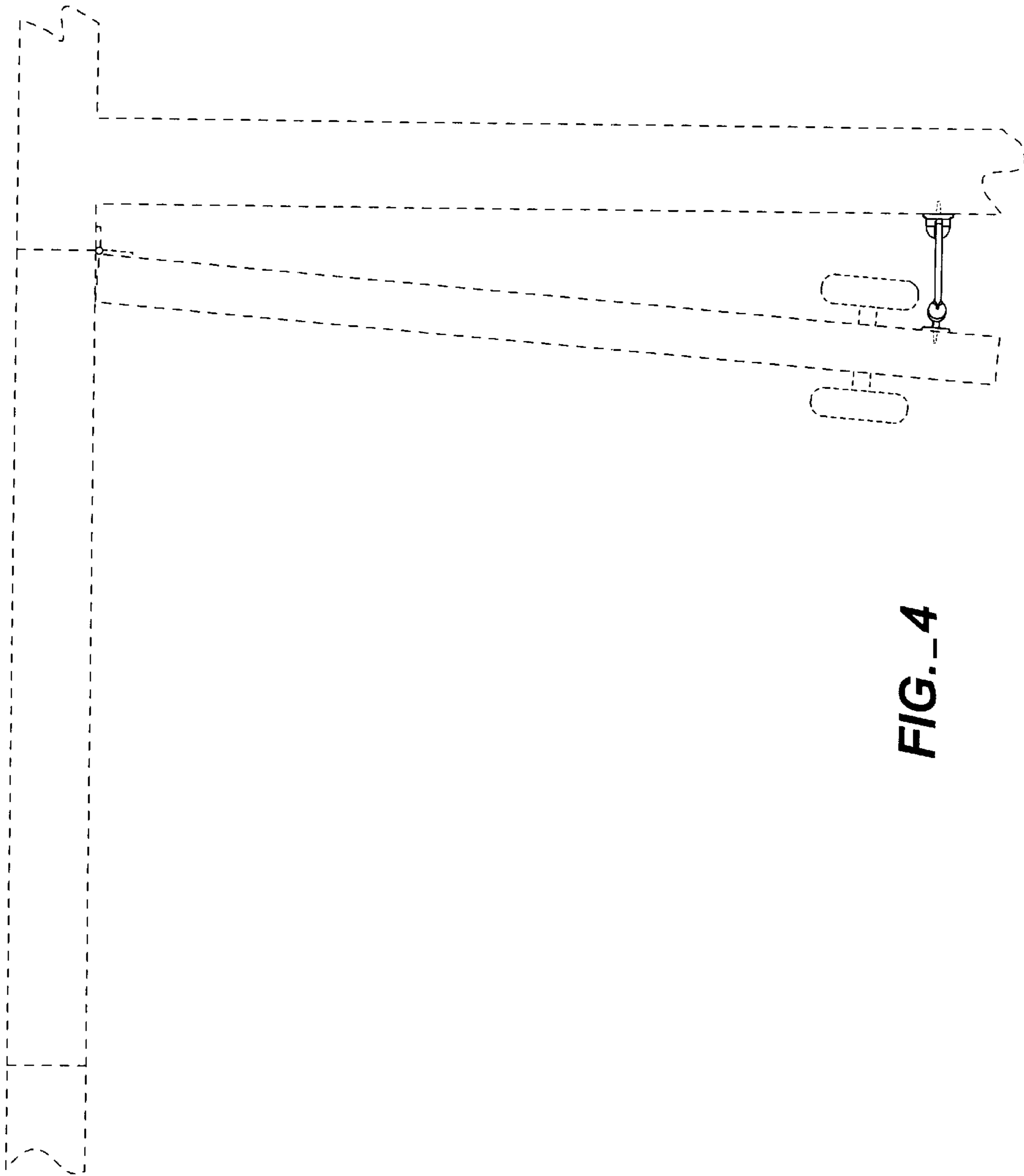


FIG. 4

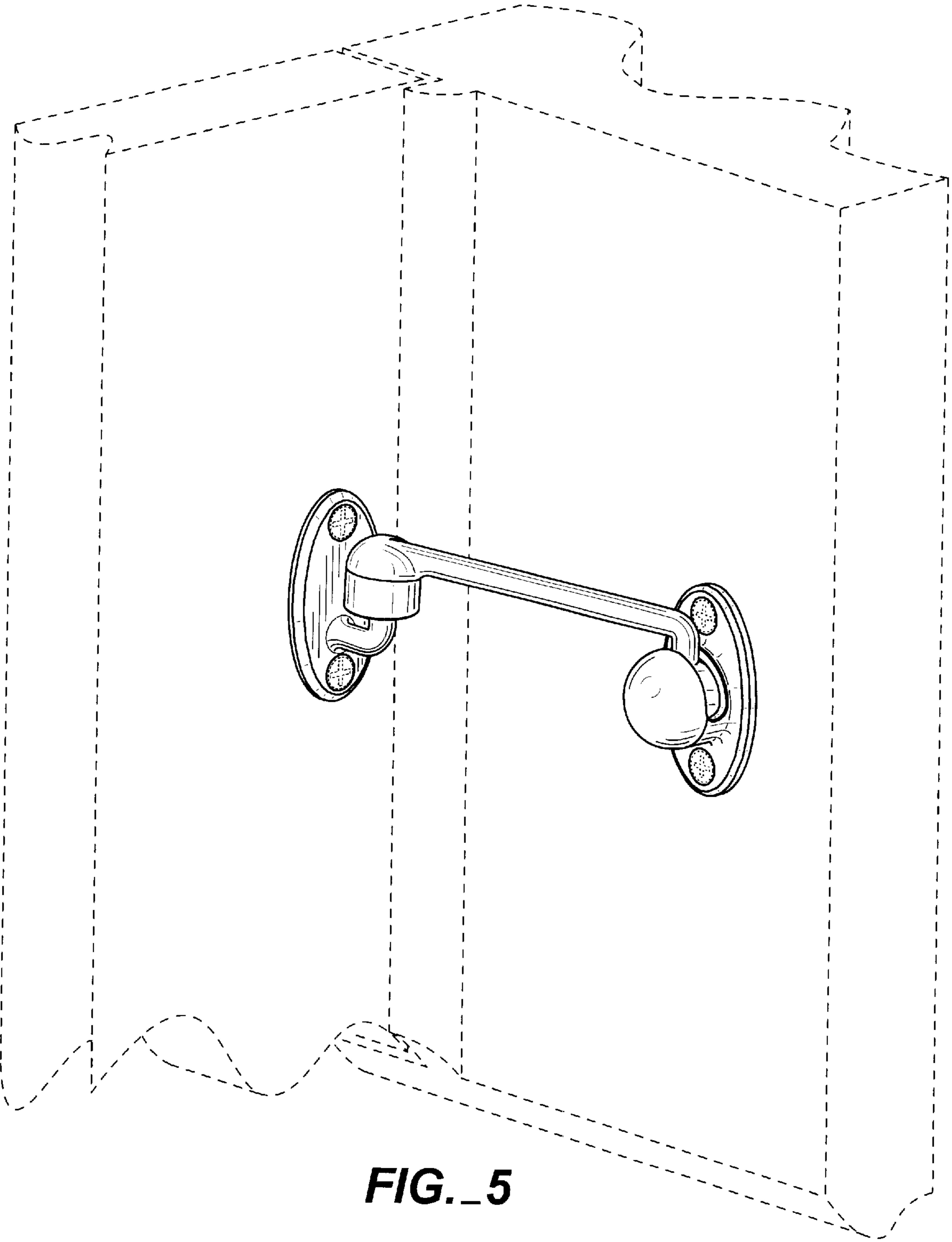


FIG. 5