

US00D509126S

(12) **United States Design Patent**  
**Vilallonga Kirovac**

(10) **Patent No.:** **US D509,126 S**  
(45) **Date of Patent:** **\*\* Sep. 6, 2005**

(54) **DOOR HANDLE**

(75) **Inventor:** **Marta Vilallonga Kirovac, Sant Just Desvern (ES)**

(73) **Assignee:** **Talleres de Escoriaza, S.A., Guipuzcoa (ES)**

(\*\*) **Term:** **14 Years**

(21) **Appl. No.:** **29/186,812**

(22) **Filed:** **Jul. 22, 2003**

(30) **Foreign Application Priority Data**

Jun. 27, 2003 (ES) ..... 156083

(51) **LOC (8) Cl.** ..... **08-06**

(52) **U.S. Cl.** ..... **D8/308**

(58) **Field of Search** ..... D6/522, 546; D8/300, D8/301, 305, 307, 158, 308, 310-320, 330, 331, 336, 338, 341, 343, 352; D13/171, 174; D23/254, 255, 257, 262, 238, 242; 16/11 R, 111 R, 121, 124, 125, 419, 725; 248/212; 4/576.1, 676, 628

(56) **References Cited**

**U.S. PATENT DOCUMENTS**

2,507,943 A \* 5/1950 Swilik ..... 4/676  
D238,549 S \* 1/1976 Fischer ..... D8/307

D300,940 S \* 5/1989 Paul ..... D23/242  
4,829,857 A \* 5/1989 Jones ..... 81/177.1  
D311,320 S \* 10/1990 Jans ..... D8/308  
D315,857 S \* 4/1991 Frattini ..... D8/308  
D315,858 S \* 4/1991 Frattini ..... D8/308  
D321,121 S \* 10/1991 Barbaro et al. .... D8/315  
D321,752 S \* 11/1991 Paul ..... D23/242  
D344,007 S \* 2/1994 Jans ..... D8/316  
D353,653 S \* 12/1994 McKeone ..... D23/255  
D357,730 S \* 4/1995 Saperstein ..... D23/252

\* cited by examiner

*Primary Examiner*—Stella Reid  
*Assistant Examiner*—Jean E. McCormick  
(74) *Attorney, Agent, or Firm*—Niels & Lemack

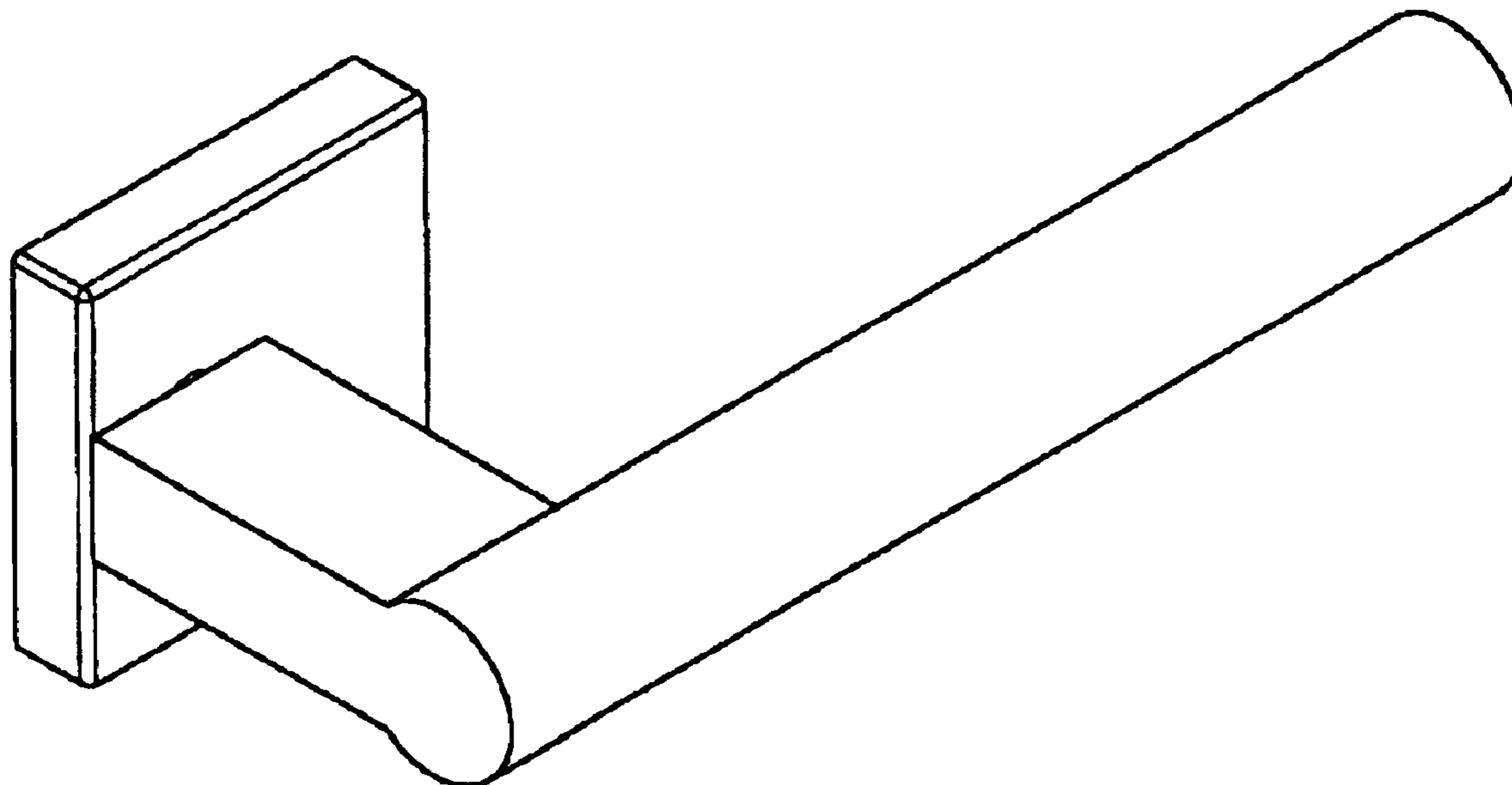
(57) **CLAIM**

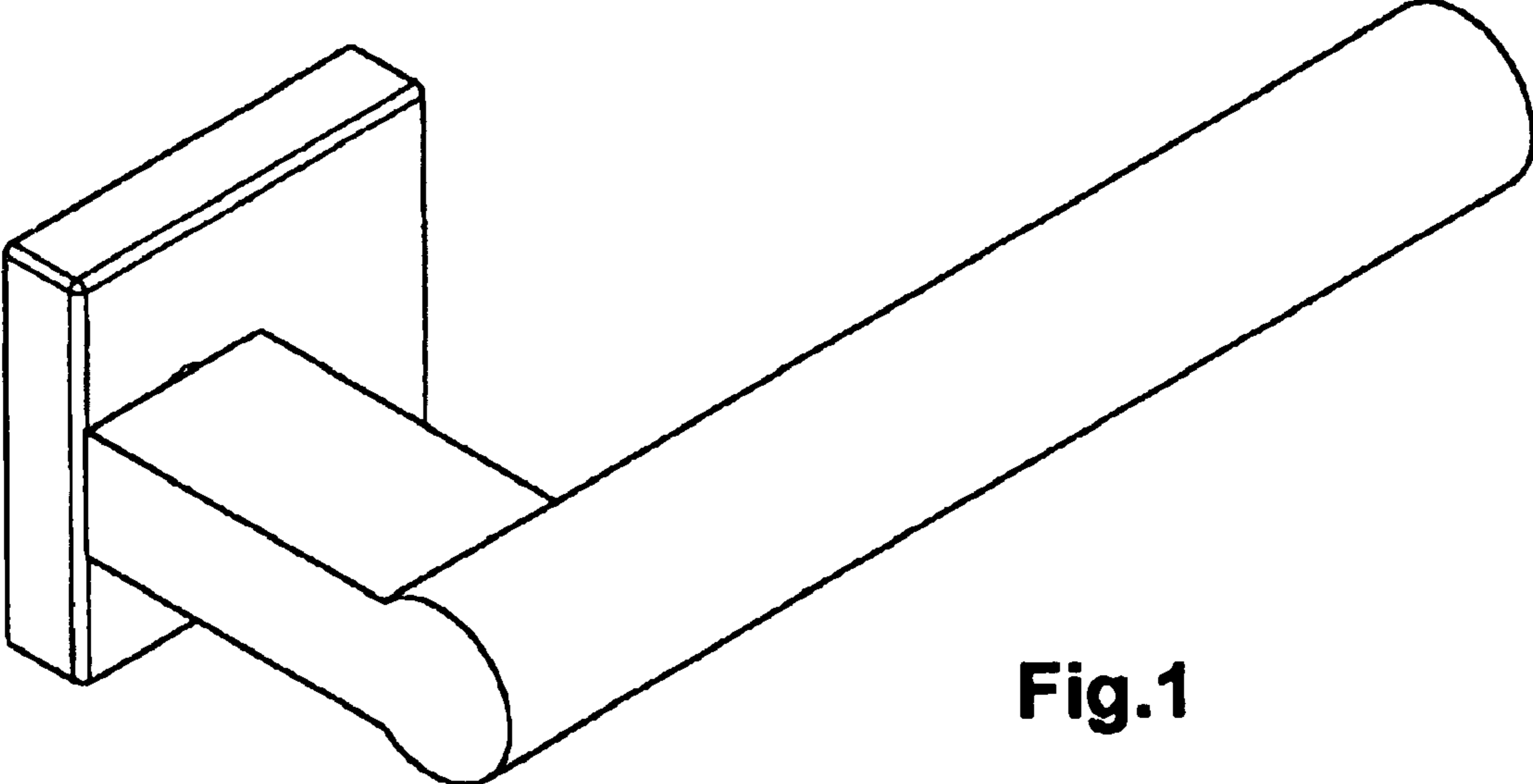
The ornamental design for a door handle, as shown.

**DESCRIPTION**

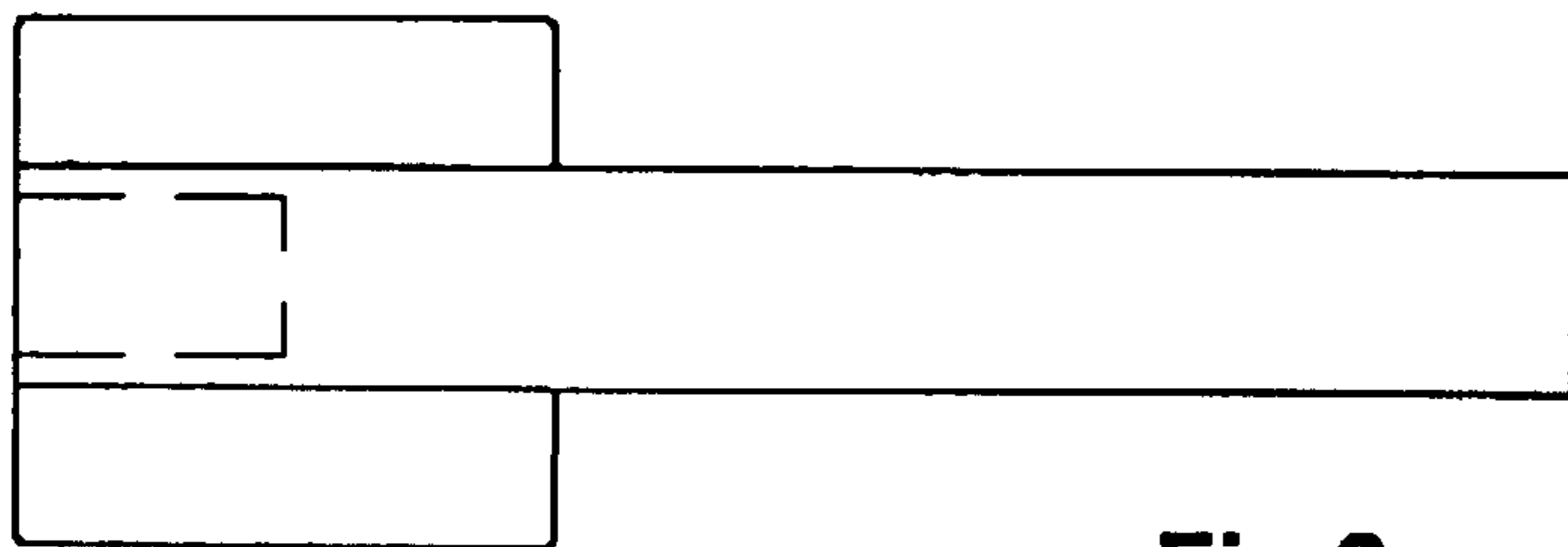
FIG. 1 is a perspective view of the door handle of the present invention;  
FIG. 2 is a front view of the door handle of the present invention;  
FIG. 3 is a side view of the door handle of the present invention; and,  
FIG. 4 is a top view of the door handle of the present invention.

**1 Claim, 2 Drawing Sheets**

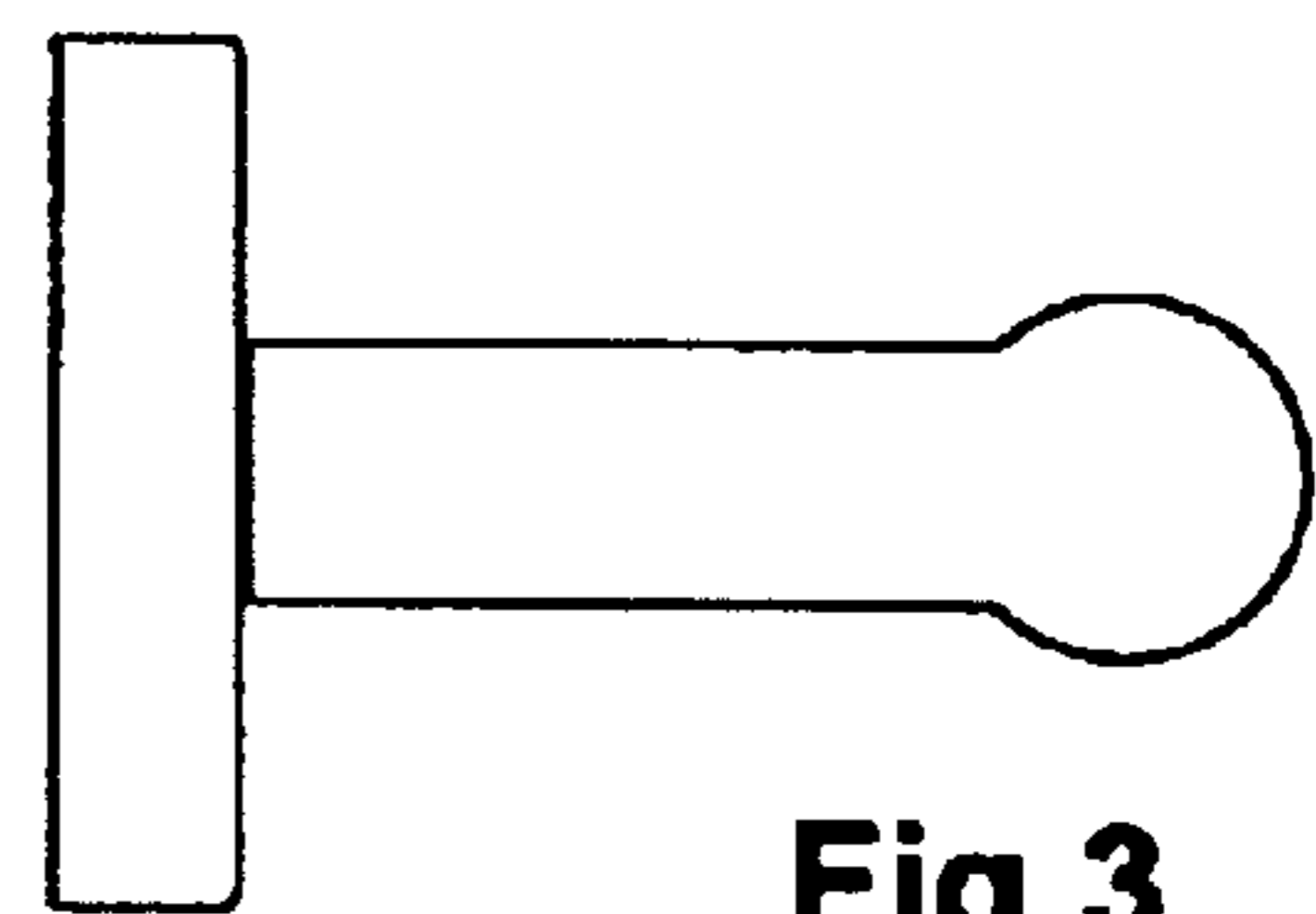




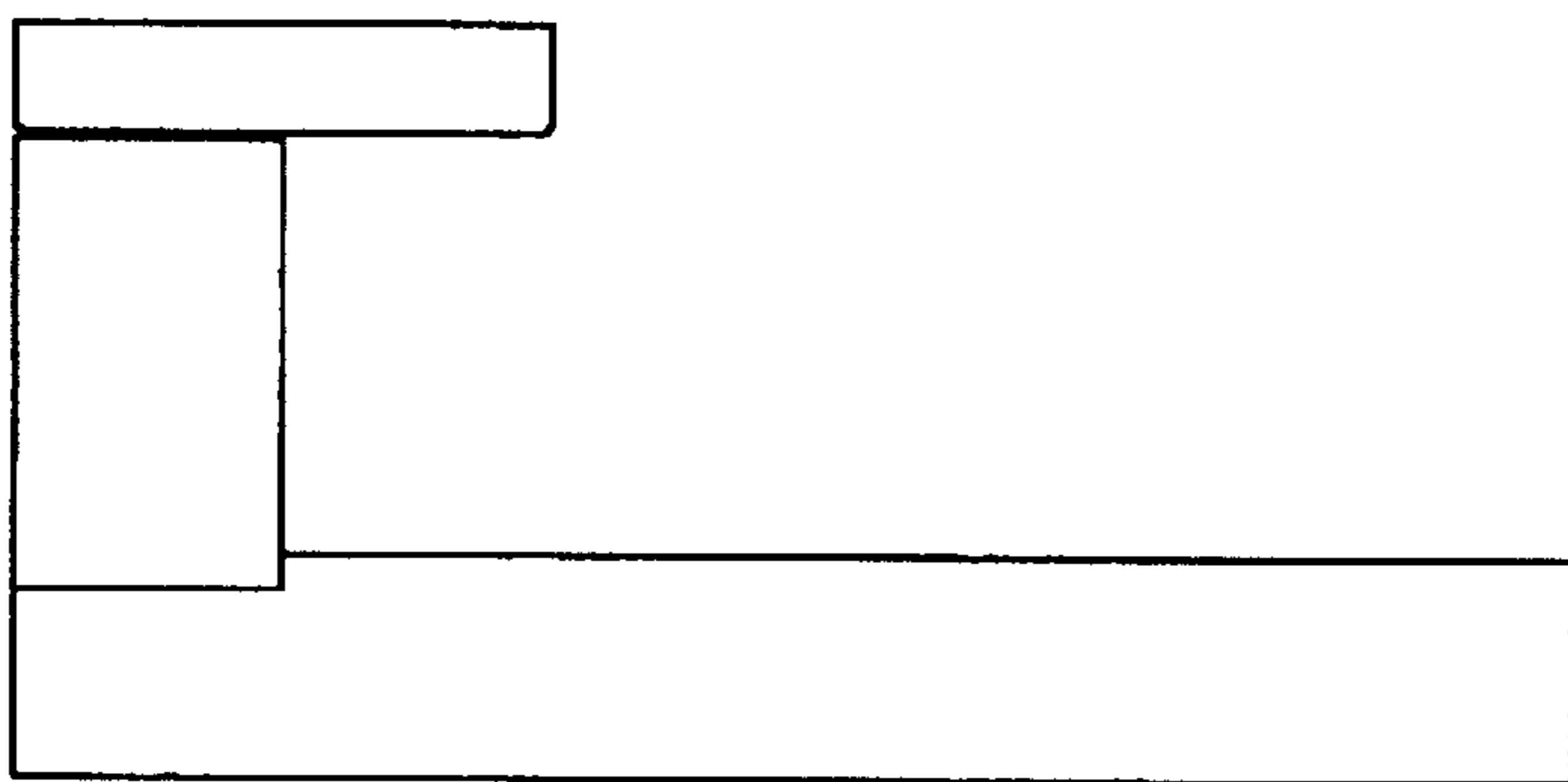
**Fig.1**



**Fig.2**



**Fig.3**



**Fig.4**