



US00D509121S

(12) **United States Design Patent** (10) **Patent No.:** **US D509,121 S**  
**Hede** (45) **Date of Patent:** **\*\* Sep. 6, 2005**

- (54) **ABRASIVE DISC BASE**
- (75) **Inventor:** **Hans Hede, Vörå (FI)**
- (73) **Assignee:** **KWH Mirka LTD, Jepua (FI)**
- (\*\*) **Term:** **14 Years**
- (21) **Appl. No.:** **29/215,251**
- (22) **Filed:** **Oct. 15, 2004**

- D285,694 S 9/1986 Olovsson
- D285,930 S 9/1986 Olovsson
- D319,565 S 9/1991 Krogsgaard
- 5,247,765 A 9/1993 Quintana
- D356,017 S 3/1995 Izumisawa
- 5,586,930 A 12/1996 Hayashi et al.
- 5,853,317 A 12/1998 Yamamoto
- 5,885,149 A 3/1999 Gillet et al.
- 6,206,771 B1 3/2001 Lehman
- 6,361,424 B1 3/2002 Manor et al.
- D465,983 S 11/2002 Yoshida et al.
- D467,485 S 12/2002 Daniels et al.
- 6,588,310 B2 7/2003 Lee et al.
- 6,641,627 B2 11/2003 Keipert et al.
- 6,645,263 B2 11/2003 Keipert et al.
- D486,839 S 2/2004 Sunagawa et al.
- D498,486 S \* 11/2004 Eisenblaetter ..... D15/126
- 6,830,506 B2 \* 12/2004 Catalfamo ..... 451/359

**Related U.S. Application Data**

- (62) Division of application No. 29/177,221, filed on Mar. 5, 2003.

**(30) Foreign Application Priority Data**

Sep. 13, 2002 (FI) ..... M20020555

- (51) **LOC (8) Cl.** ..... **08-05**
- (52) **U.S. Cl.** ..... **D8/70**
- (58) **Field of Search** ..... D8/20, 61, 62, D8/63, 70; D15/126, 138, 139; 30/307, 347, 355, 388, 389, 390; 51/296; 83/663, 676, 835; 125/15, 18; 451/259, 359, 420, 490, 510, 540, 541, 542, 548, 550

\* cited by examiner

*Primary Examiner*—Gary D. Watson  
*Assistant Examiner*—T. Chase Nelson  
(74) *Attorney, Agent, or Firm*—Ladas & Parry LLP

(57) **CLAIM**

The ornamental design for an abrasive disc base, as shown and described.

(56) **References Cited**

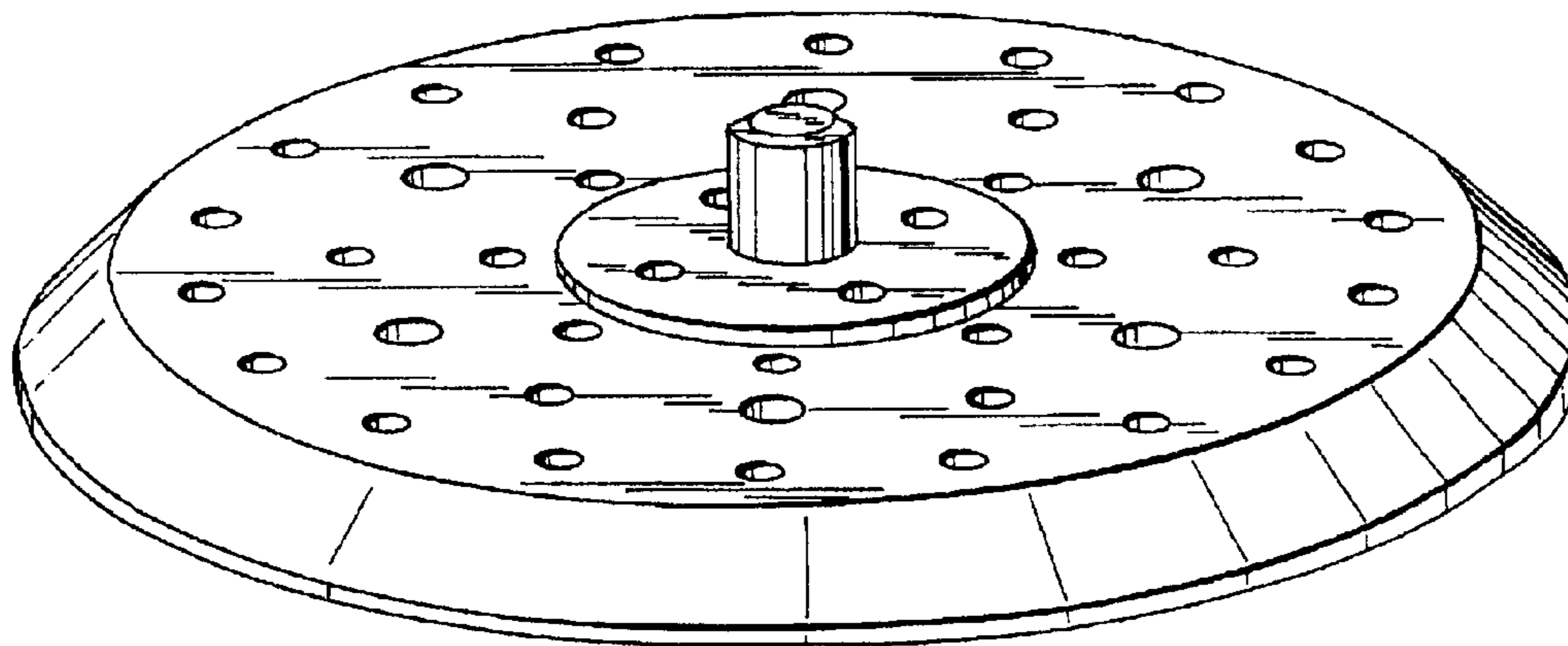
**U.S. PATENT DOCUMENTS**

- 1,964,538 A 6/1934 Shue
- 2,358,861 A 9/1944 Koether
- 2,451,295 A 10/1948 Metzger et al.
- 3,081,584 A 3/1963 Bullard
- 3,464,166 A 9/1969 Bouvier
- 3,913,279 A 10/1975 Broido
- 3,916,580 A 11/1975 Helletsberger et al.
- 4,287,685 A 9/1981 Marton
- D284,969 S 8/1986 Olovsson

**DESCRIPTION**

FIG. 1 is a perspective top view of an abrasive disc base showing my new design;  
FIG. 2 is a top view thereof;  
FIG. 3 is a bottom view thereof;  
FIG. 4 is a front view thereof, the rear being a mirror image; and,  
FIG. 5 is a side view thereof, the other side being a mirror image.

**1 Claim, 2 Drawing Sheets**



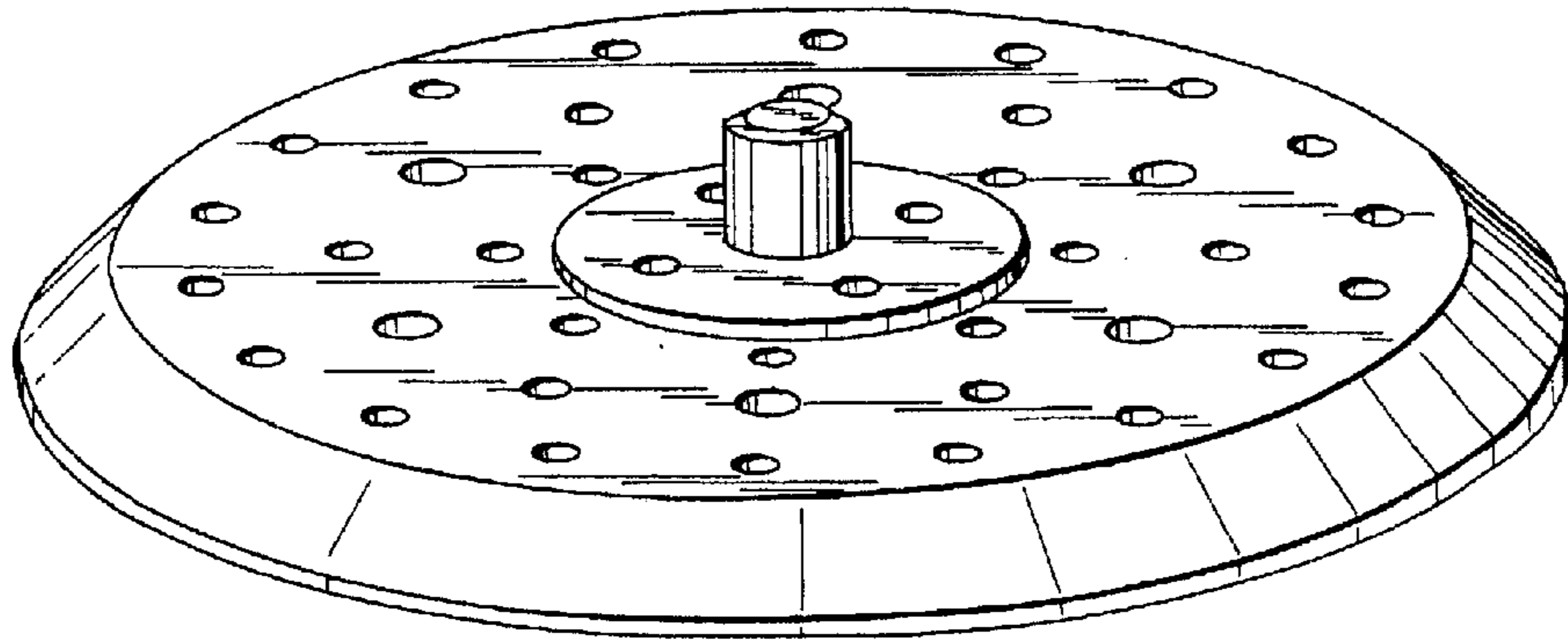


FIG. 1

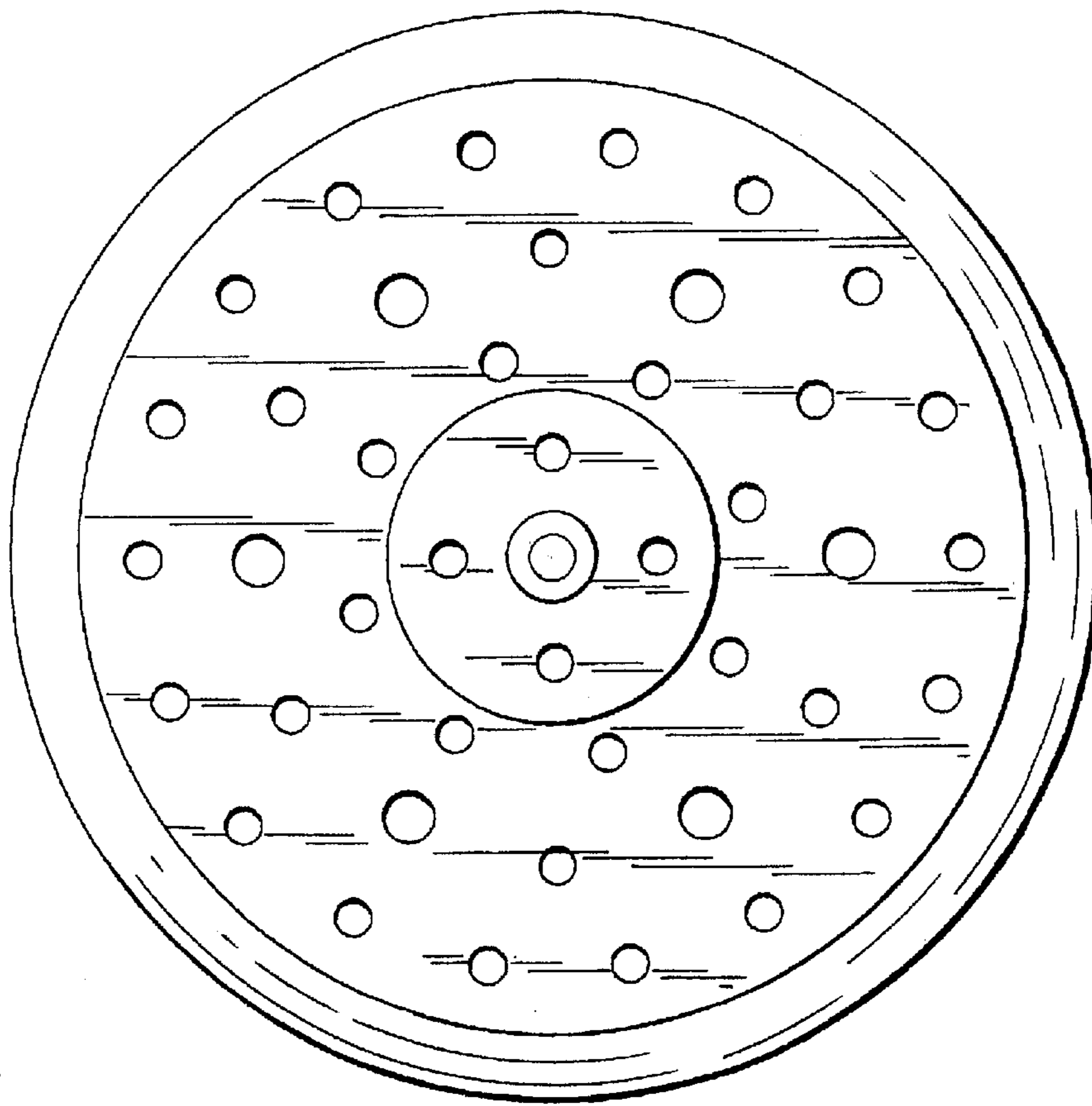


FIG. 2

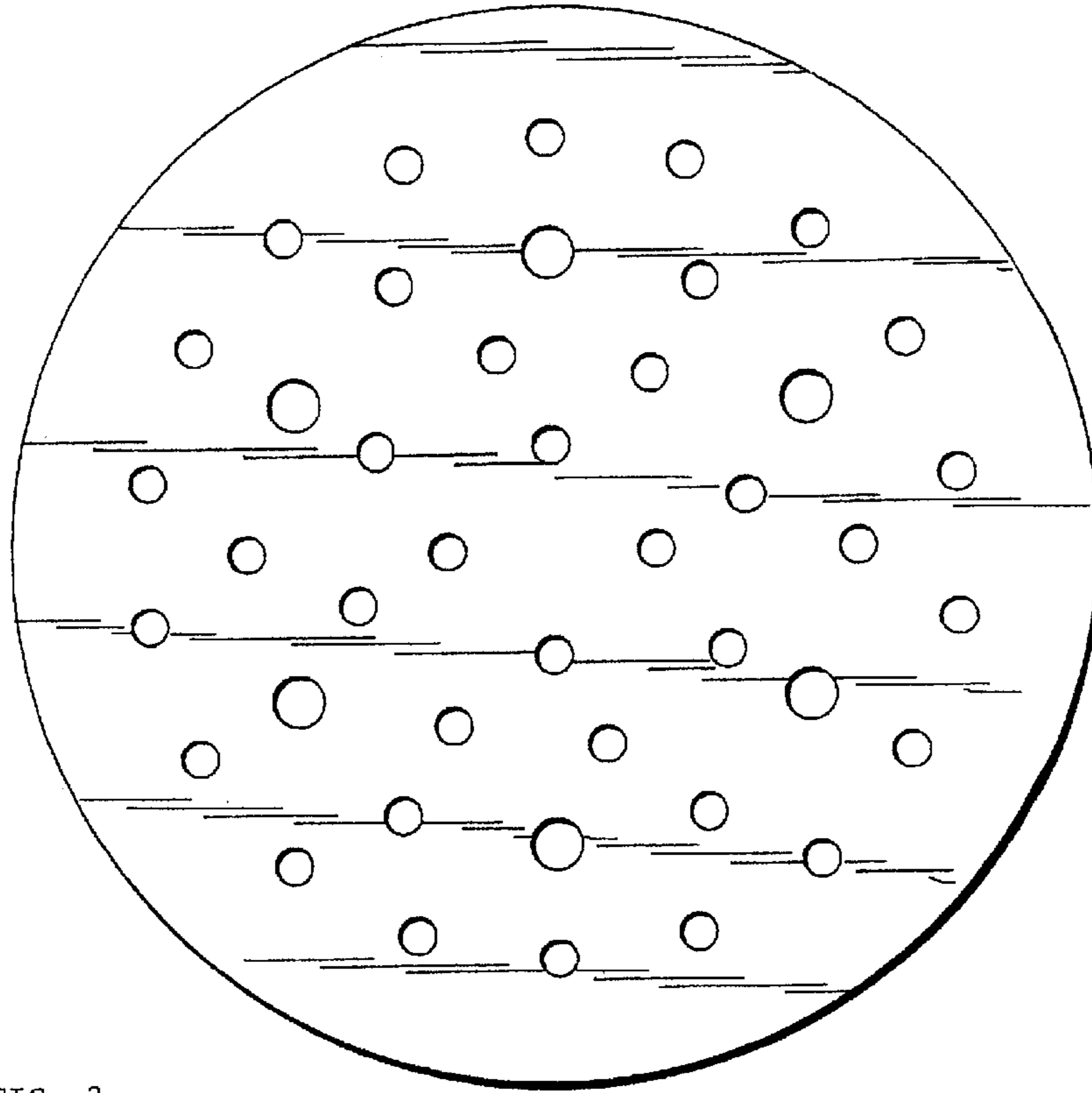


FIG. 3

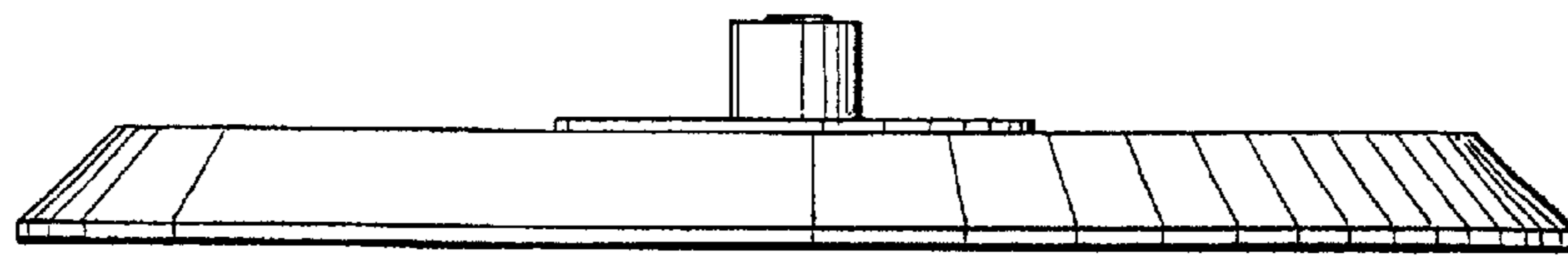


FIG. 4

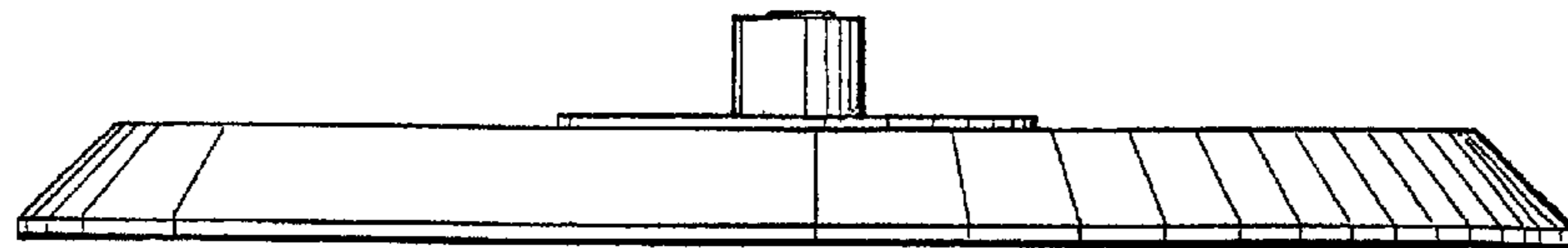


FIG. 5