

US00D509120S

(12) **United States Design Patent** (10) **Patent No.:** **US D509,120 S**
Okuda et al. (45) **Date of Patent:** **** Sep. 6, 2005**

(54) **ELECTRIC WRENCH**

(75) Inventors: **Shinsuke Okuda, Anjo (JP); Tomoaki Sato, Anjo (JP)**

(73) Assignee: **Makita Corporation, Anjo (JP)**

(**) Term: **14 Years**

(21) Appl. No.: **29/219,510**

(22) Filed: **Dec. 20, 2004**

(30) **Foreign Application Priority Data**

Jul. 7, 2004 (JP) 2004-023452

(51) **LOC (8) Cl.** **08-05**

(52) **U.S. Cl.** **D8/69**

(58) **Field of Search** D8/14.1, 61, 62, D8/63, 64, 65, 66, 67, 68, 69, 70; 81/57.11, 429, 464, 465, 466, 469, 489; 173/13, 169, 178, 213, 217; 227/8, 114, 120, 130, 136, 142; 310/50; 408/20, 124, 125, 234, 241 R; 451/358

(56) **References Cited**

U.S. PATENT DOCUMENTS

- 4,378,053 A * 3/1983 Simpson 173/13
- 4,967,888 A * 11/1990 Lippacher et al. 173/178
- D360,568 S 7/1995 Fukuhara et al.
- D380,132 S * 6/1997 Matsunaga et al. D8/69
- D386,379 S * 11/1997 Kasuya D8/69
- D395,586 S * 6/1998 Arakawa et al. D8/69

- 5,953,965 A * 9/1999 Kaneyama et al. 81/469
- D447,032 S * 8/2001 Schoen et al. D8/67
- D466,780 S * 12/2002 Stirm D8/69
- D474,092 S * 5/2003 Stirm D8/69
- D477,206 S * 7/2003 Sakai et al. D8/69
- 2002/0021947 A1 * 2/2002 Hofmann et al. 408/241 R
- 2004/0211575 A1 * 10/2004 Soika et al. 173/217
- 2004/0231871 A1 * 11/2004 Arich et al. 173/217

FOREIGN PATENT DOCUMENTS

- JP S 606987 5/1983
- JP S 606987.1 7/1984

* cited by examiner

Primary Examiner—Gary D. Watson
Assistant Examiner—T. Chase Nelson
(74) *Attorney, Agent, or Firm*—Oliff & Berridge, PLC

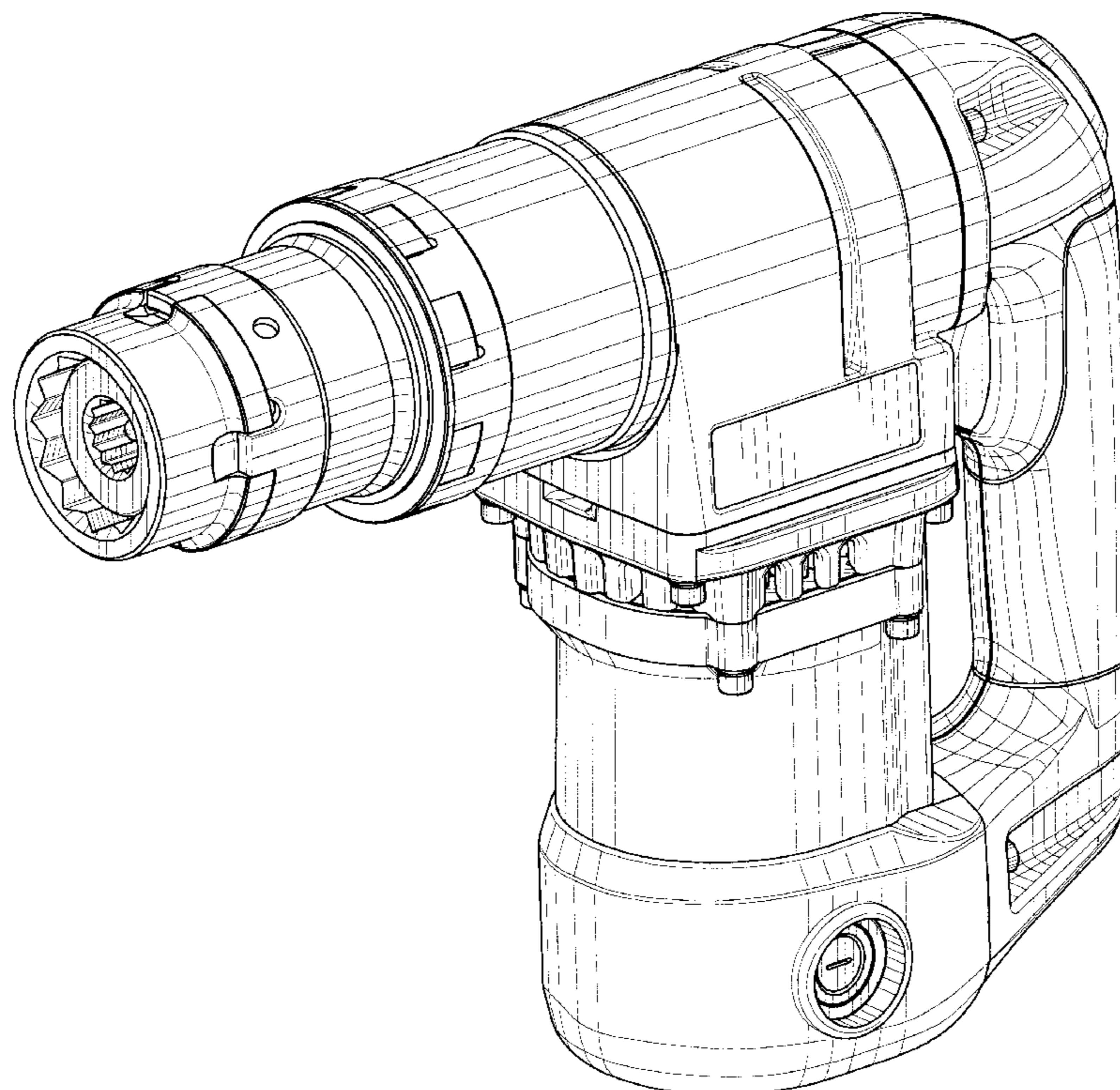
(57) **CLAIM**

The ornamental design for an electric wrench, as shown and described.

DESCRIPTION

FIG. 1 is a perspective view of an electric wrench showing our new design;
FIG. 2 is a front elevation view thereof;
FIG. 3 is a rear elevation view thereof;
FIG. 4 is a left side elevation view thereof;
FIG. 5 is a right side elevation view thereof;
FIG. 6 is a top plan view thereof; and,
FIG. 7 is a bottom plan view thereof.

1 Claim, 5 Drawing Sheets



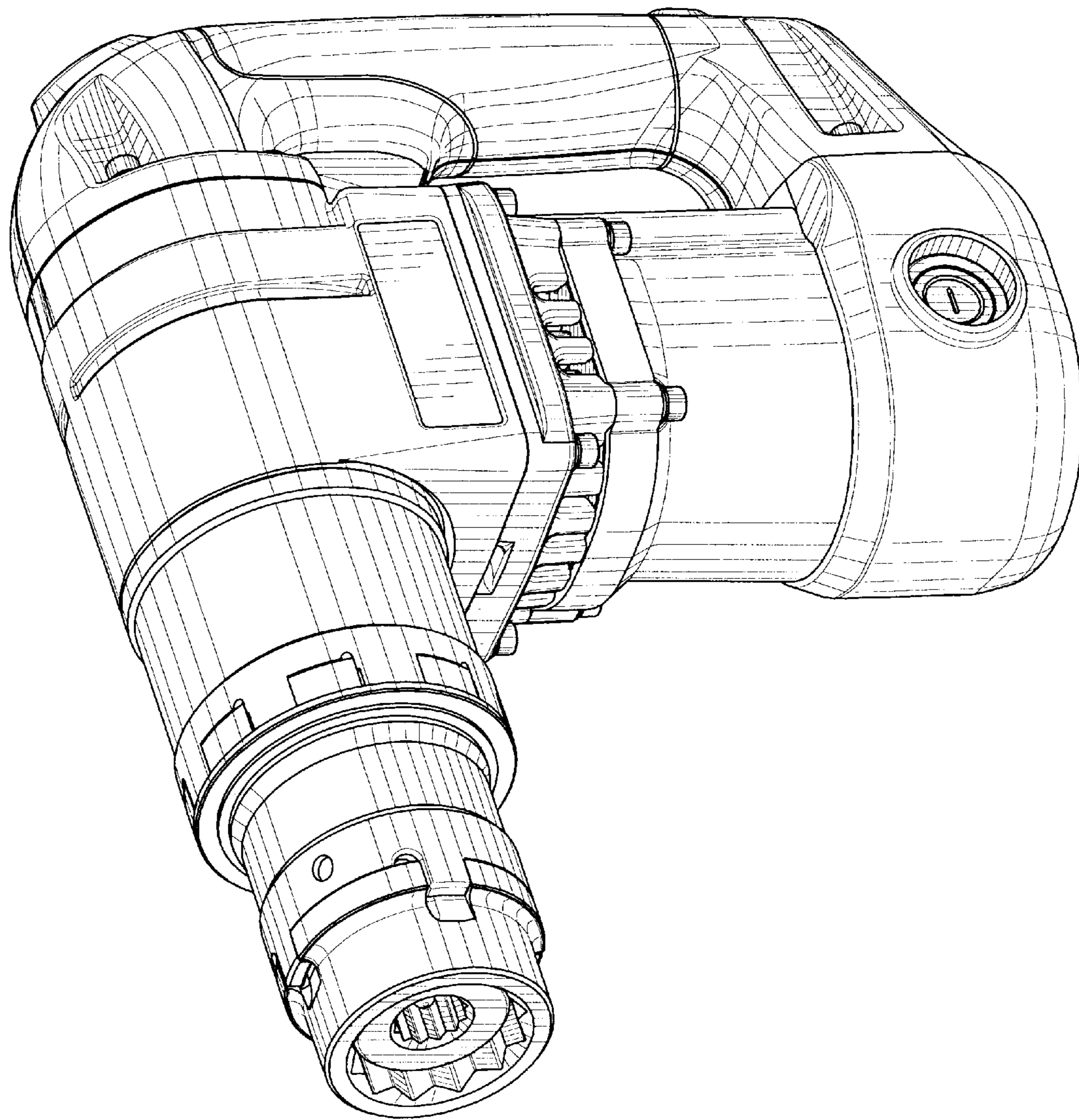


FIG. 1

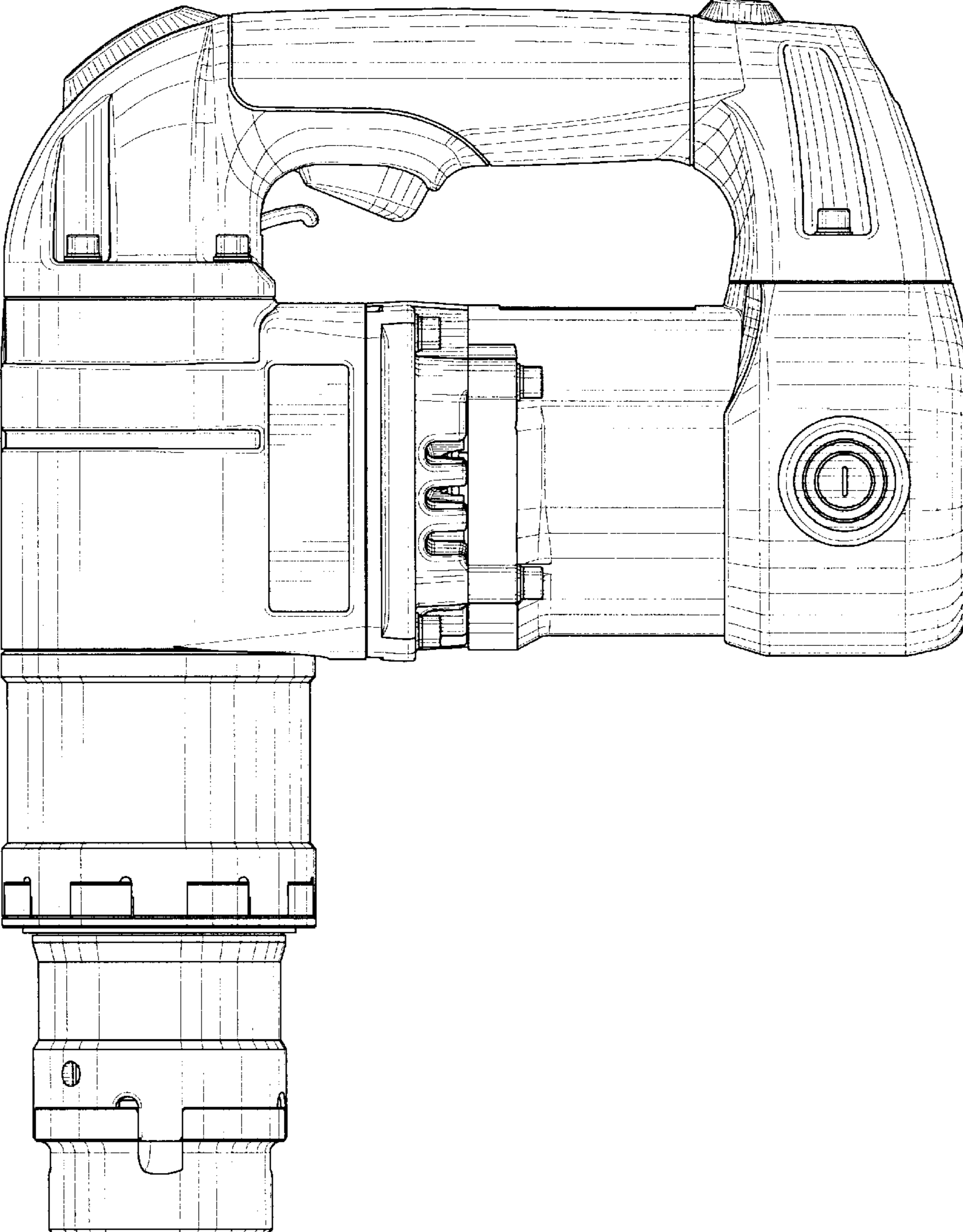


FIG. 2

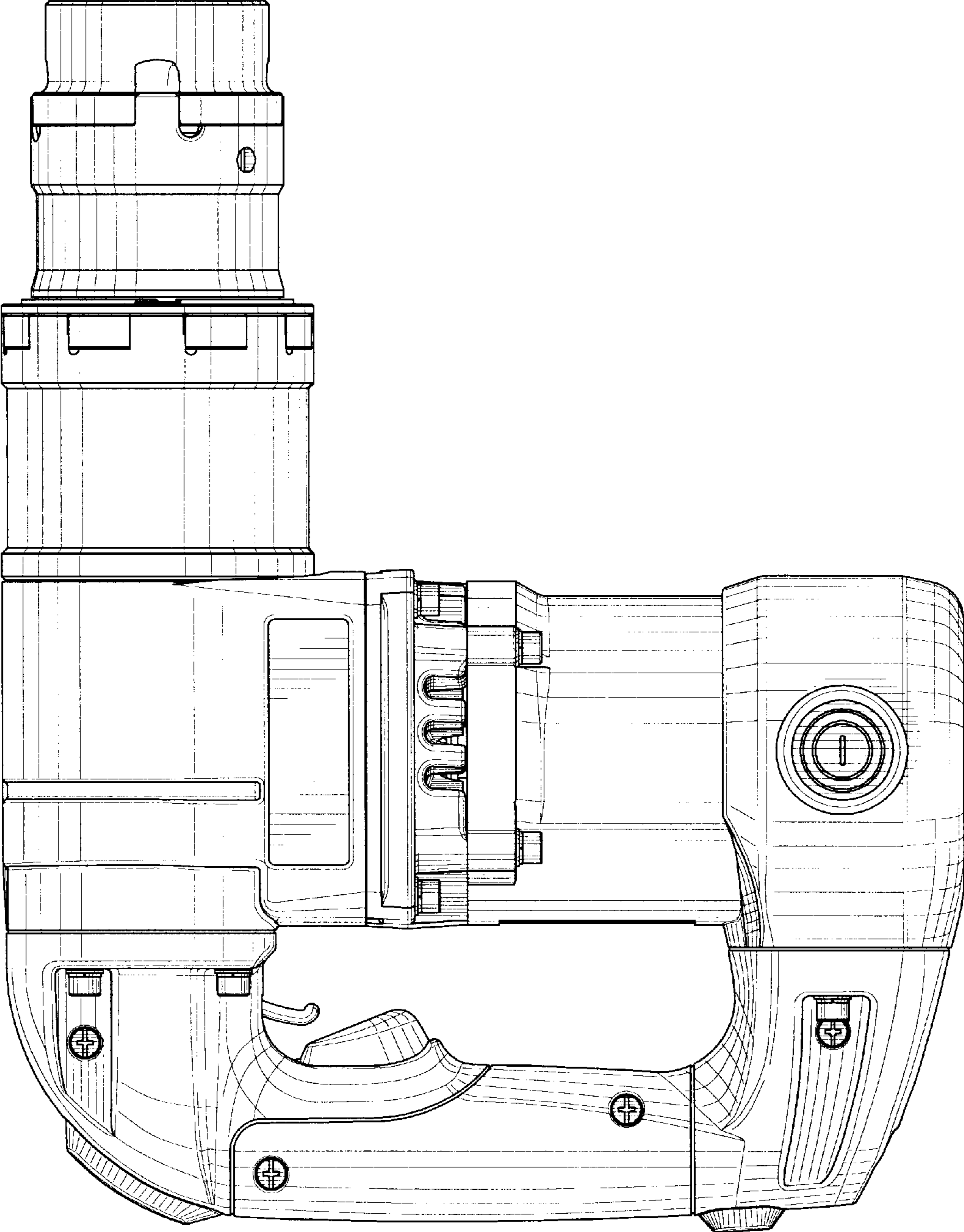


FIG. 3

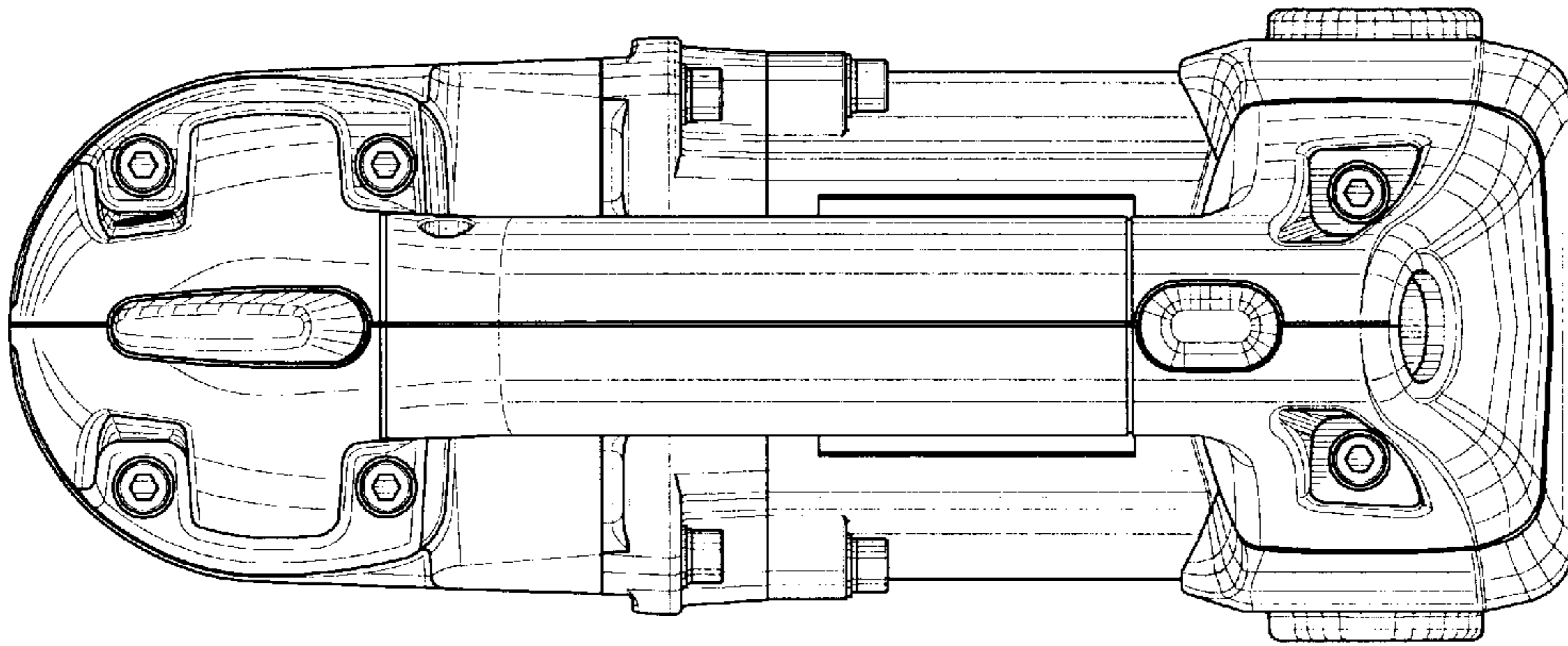


FIG. 5

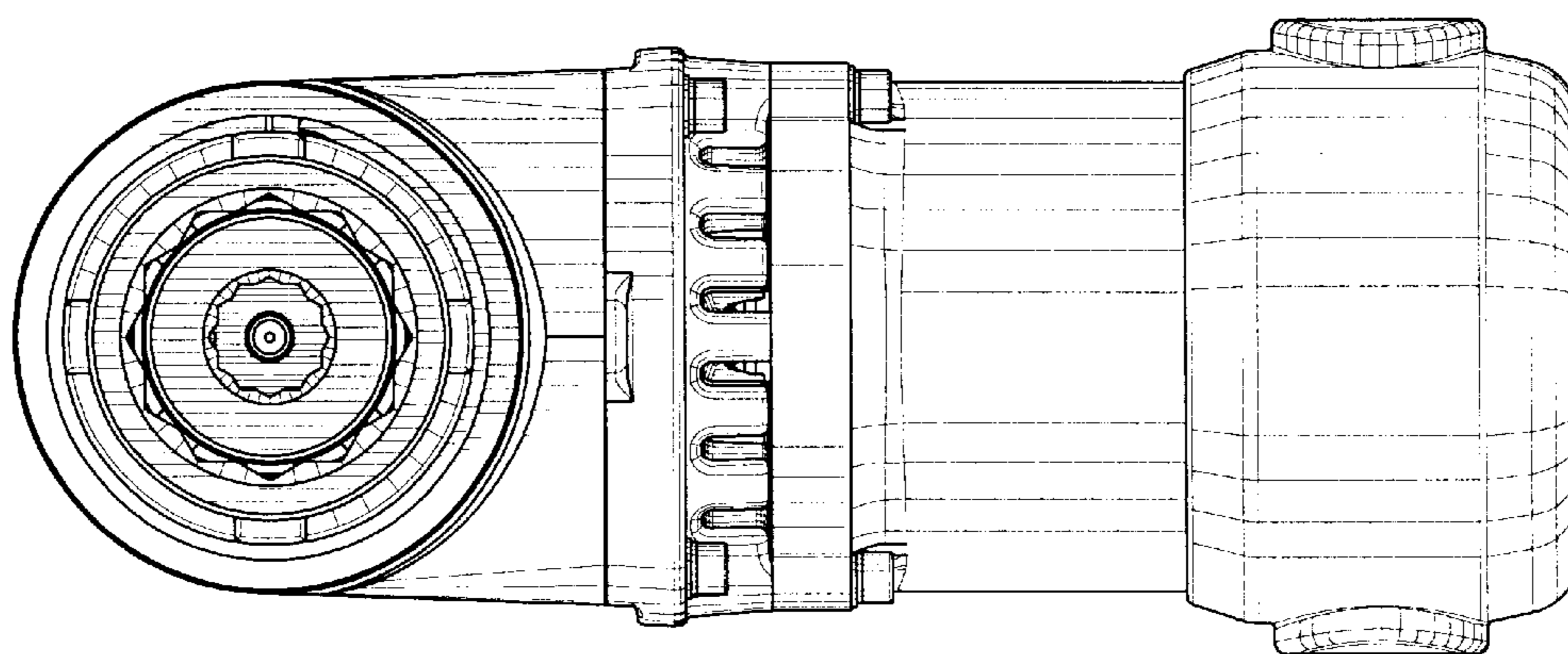


FIG. 4

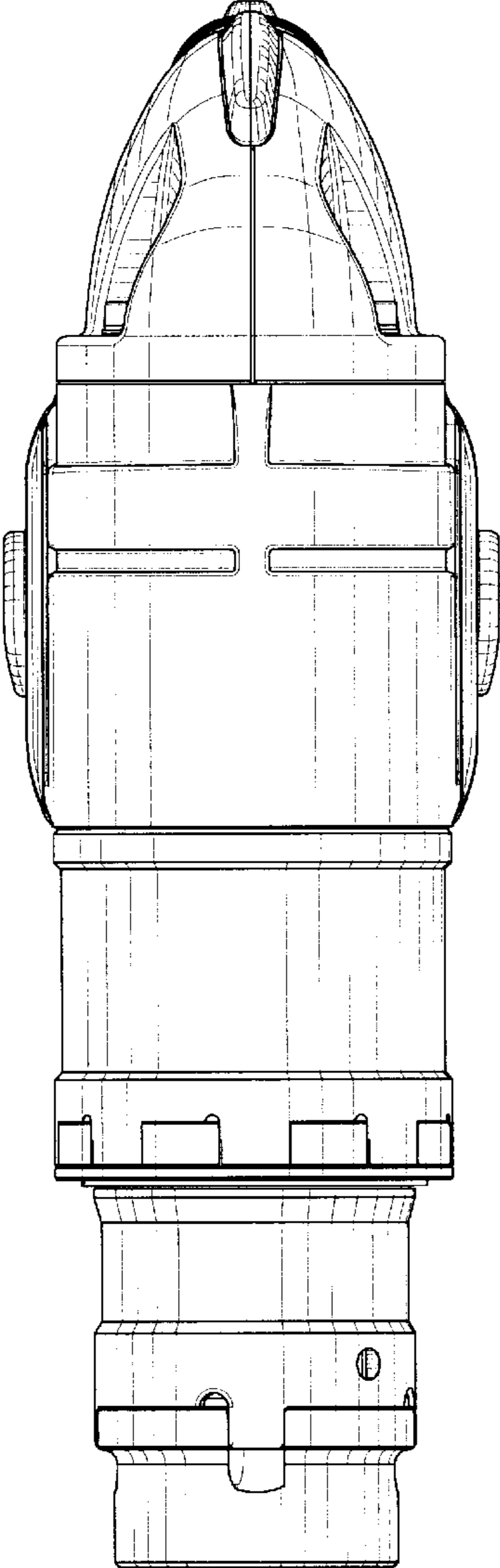


FIG. 6

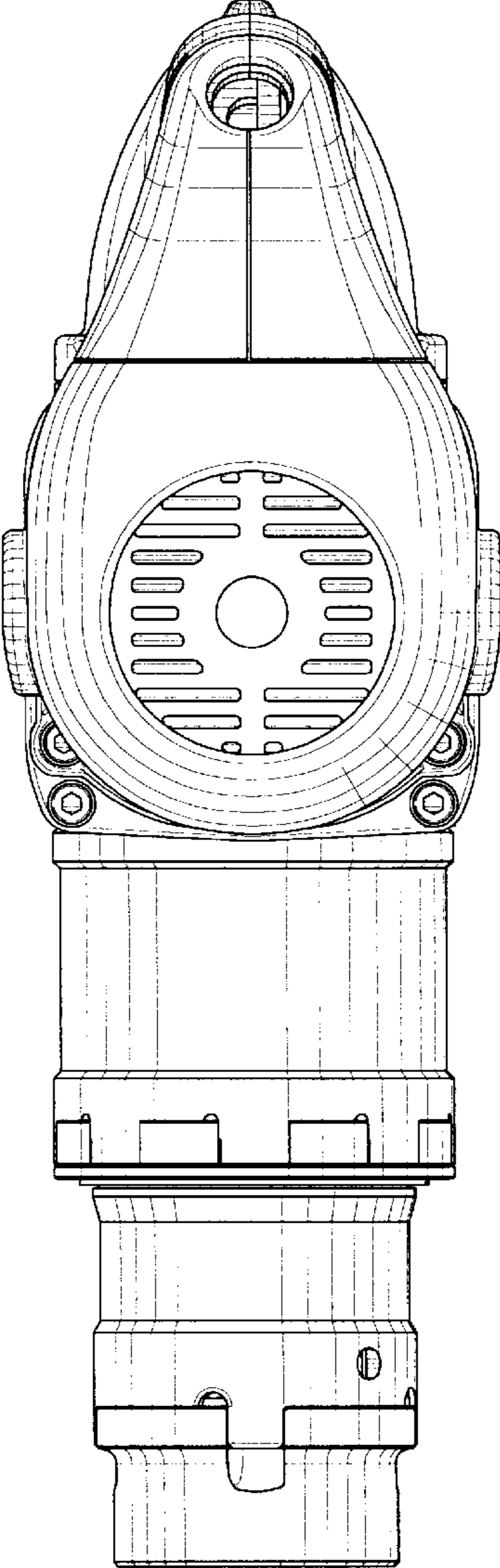


FIG. 7