

US00D509119S

(12) **United States Design Patent**
Schiller et al.

(10) **Patent No.:** **US D509,119 S**

(45) **Date of Patent:** **** Sep. 6, 2005**

(54) **AIR HAMMER**

(75) Inventors: **Joel D. Schiller**, Comfrey, MN (US);
Jeffrey A. Kretsch, Springfield, MN
(US); **Lisa M. Wahl**, Sleep Eye, MN
(US); **Sandra L. Hesse**, Clements, MN
(US); **Chad Davis**, Chicago, IL (US);
Scott Dallmeyer, Chicago, IL (US);
Craig Scherer, Wilmette, IL (US)

(73) Assignee: **Powermate Corporation**, Aurora, IL
(US)

(**) Term: **14 Years**

(21) Appl. No.: **29/205,426**

(22) Filed: **May 14, 2004**

(51) **LOC (8) Cl.** **08-02**

(52) **U.S. Cl.** **D8/68**

(58) **Field of Search** D8/14.1, 61, 62,
D8/63, 64, 65, 66, 67, 68, 69, 70; 81/57.11,
429, 464, 465, 466, 469, 489; 173/13, 169,
178, 213, 217; 227/8, 114, 120, 130, 136,
142; 310/50; 408/20, 124, 125, 234, 241 R;
451/358

(56) **References Cited**

U.S. PATENT DOCUMENTS

4,546,833	A	*	10/1985	Berecz et al.	173/13
4,705,200	A	*	11/1987	Kopf et al.	227/8
D420,878	S	*	2/2000	Li	D8/69
D436,819	S	*	1/2001	Liu	D8/68
D444,365	S	*	7/2001	Bass et al.	D8/68
D459,178	S	*	6/2002	Heun	D8/68
D459,182	S	*	6/2002	Morgan	D8/68
D459,644	S	*	7/2002	Morgan	D8/68
D459,966	S	*	7/2002	So	D8/68
D460,675	S	*	7/2002	Morgan	D8/68

D462,593	S	*	9/2002	Nottingham et al.	D8/68
D463,237	S	*	9/2002	Sims et al.	D8/68
D476,209	S	*	6/2003	Chen	D8/68
D485,737	S	*	1/2004	Schaub et al.	D8/68
D486,713	S	*	2/2004	Lai	D8/68
D487,219	S	*	3/2004	Chudy et al.	D8/68
6,805,272	B1	*	10/2004	Sen-Mu et al.	173/169

OTHER PUBLICATIONS

Coleman Powermate Professional Air Tools and Accessories, 1997 product catalog.

Coleman Powermate Air Tools and Accessories, 1999 product catalog.

Coleman Powermate Air Tools and Accessories, 2001 product catalog.

* cited by examiner

Primary Examiner—Gary D. Watson

Assistant Examiner—T. Chase Nelson

(74) *Attorney, Agent, or Firm*—Leydig, Voit & Mayer, Ltd

(57) **CLAIM**

The ornamental design for an air hammer, as shown and described.

DESCRIPTION

FIG. 1 is a top, right front perspective view of an air hammer of the present invention;

FIG. 2 is a front view thereof;

FIG. 3 is a rear view thereof;

FIG. 4 is a right side view thereof;

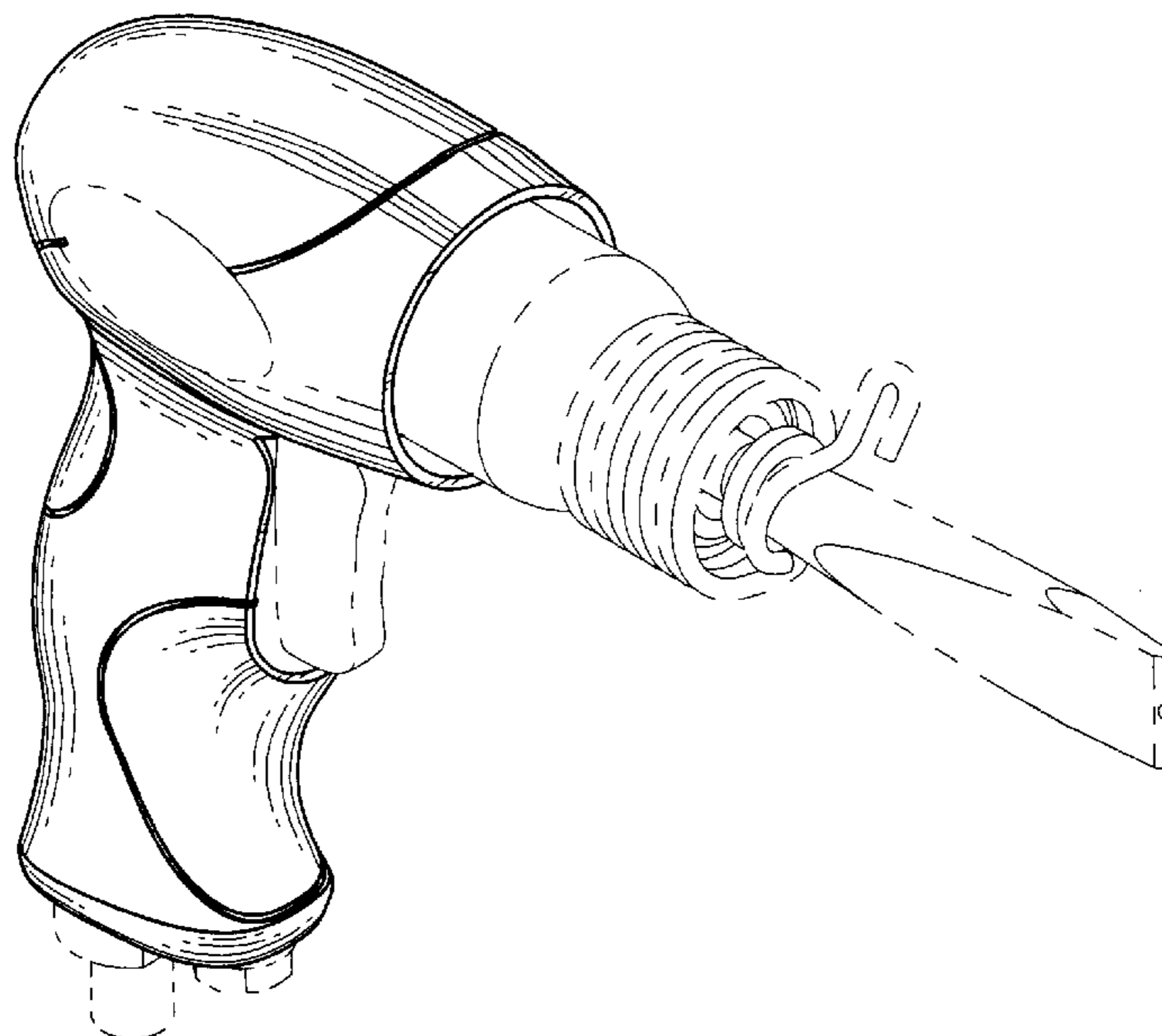
FIG. 5 is a left side view thereof;

FIG. 6 is a top view thereof; and,

FIG. 7 is a bottom view thereof.

The broken line showing is for illustrative purposes only and forms no part of the claimed design.

1 Claim, 3 Drawing Sheets



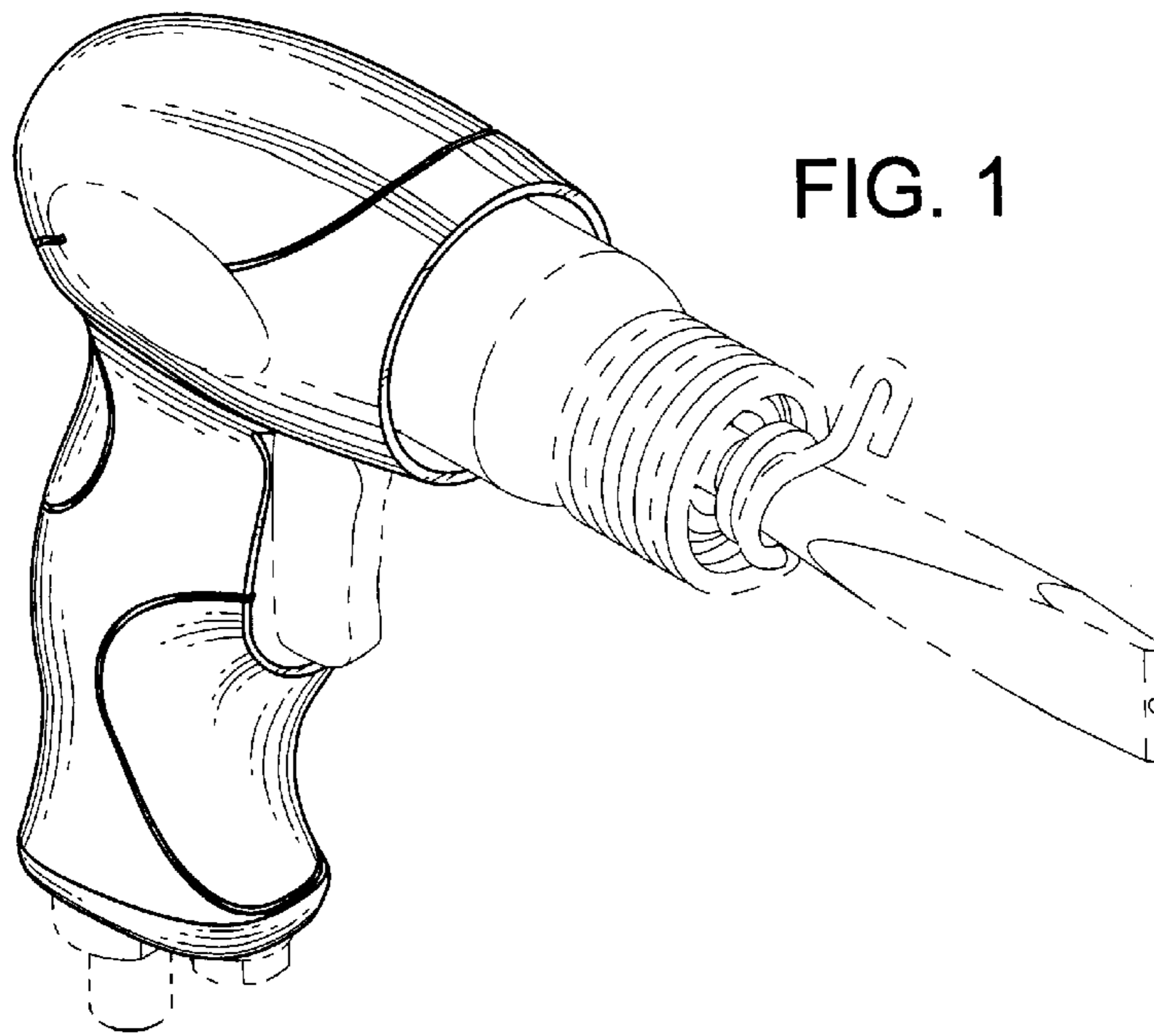


FIG. 1

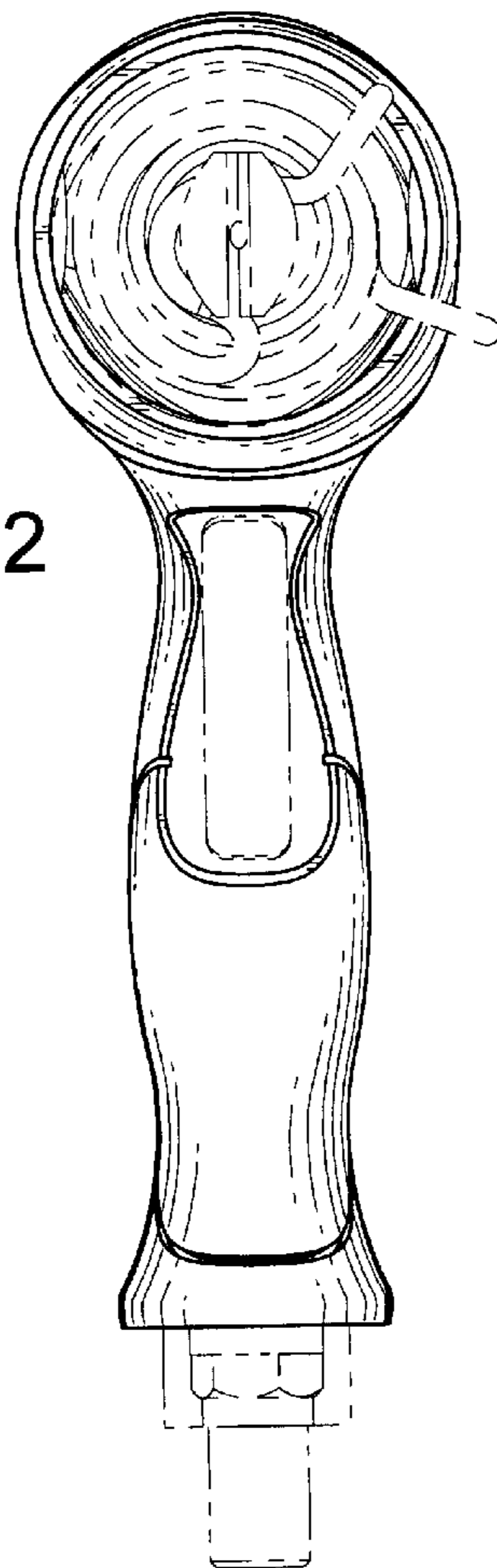


FIG. 2

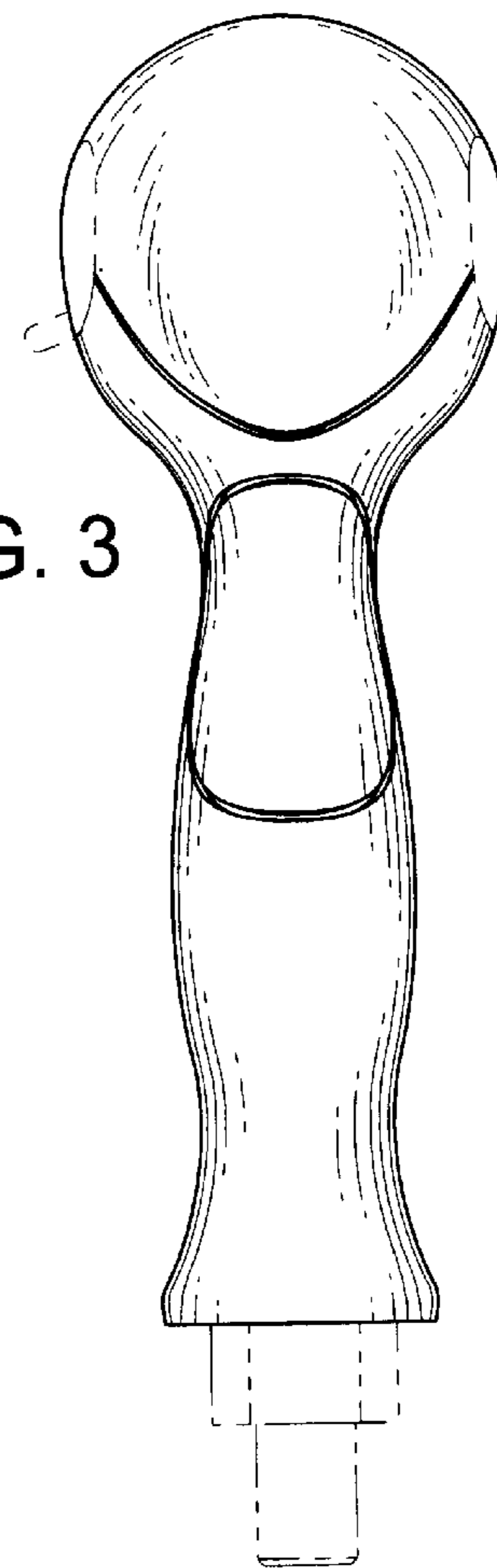


FIG. 3

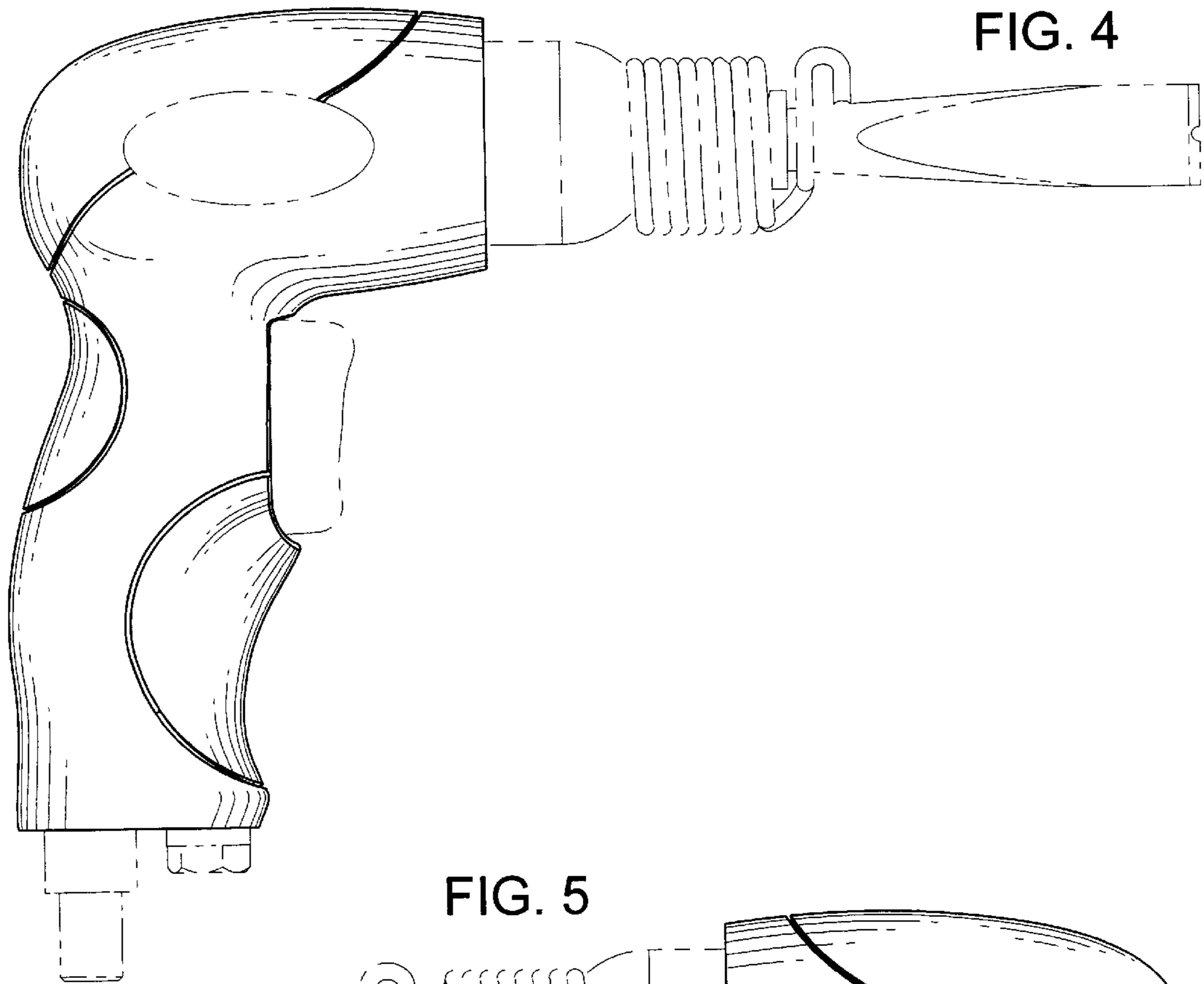


FIG. 4

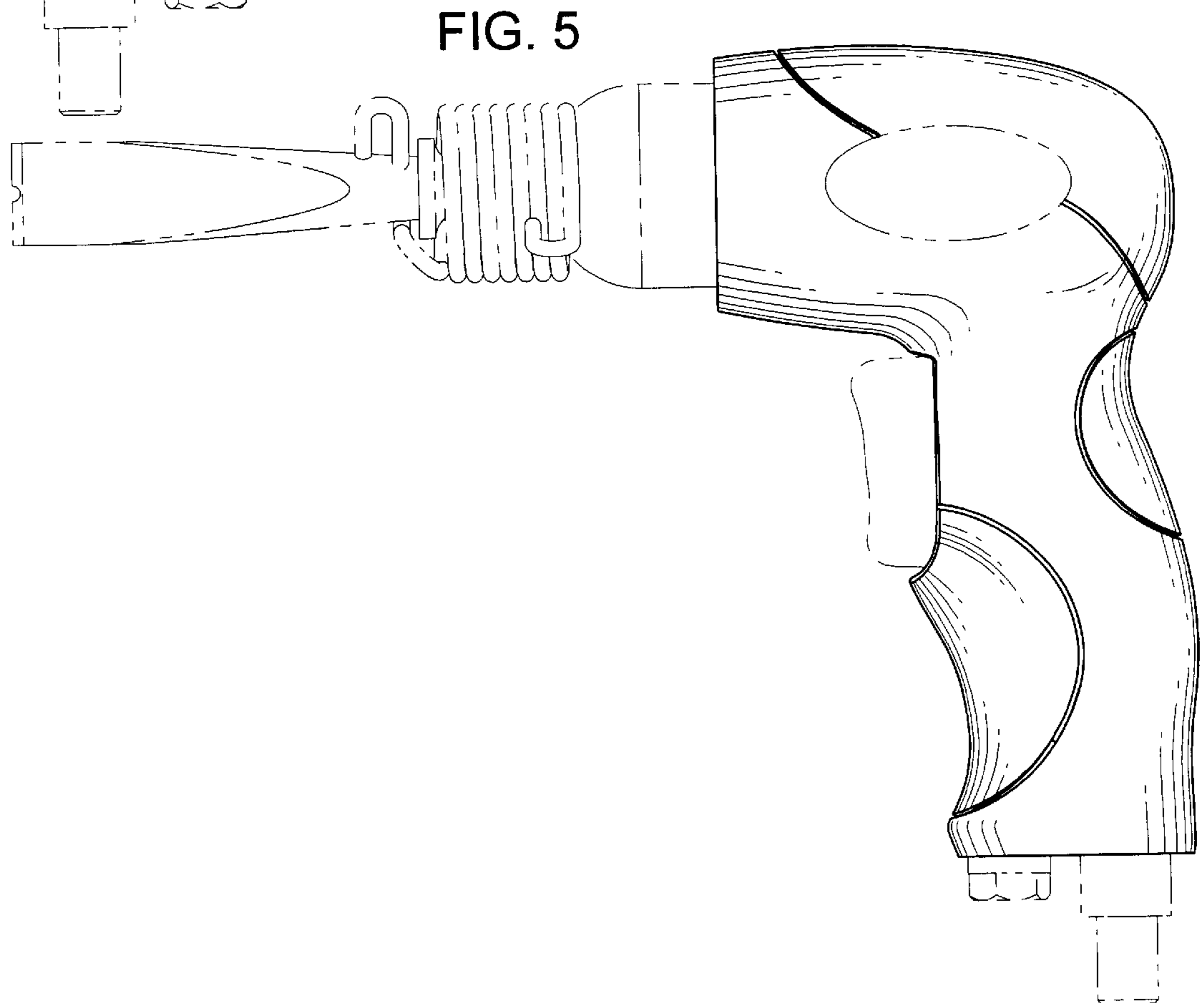


FIG. 5

FIG. 6

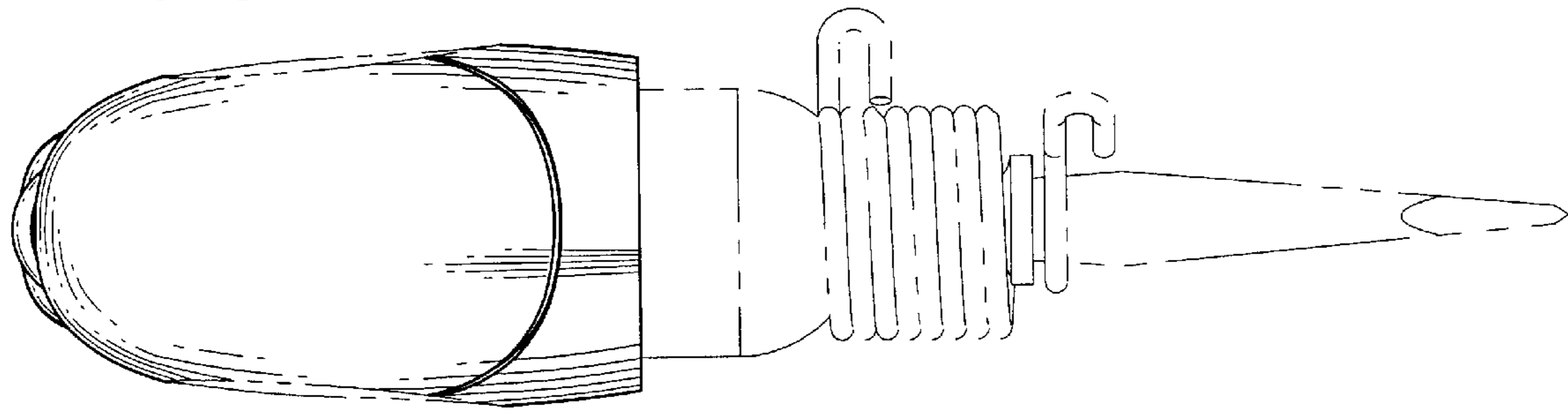


FIG. 7

