

US00D509118S

(12) **United States Design Patent** (10) **Patent No.:** **US D509,118 S**
Schoen (45) **Date of Patent:** **** Sep. 6, 2005**

(54) **STONE CUTTER**

(75) Inventor: **Klaus Schoen**, Altbach (DE)

(73) Assignee: **Robert Bosch GmbH**, Stuttgart (DE)

(**) Term: **14 Years**

(21) Appl. No.: **29/193,609**

(22) Filed: **Nov. 12, 2003**

(30) **Foreign Application Priority Data**

Jun. 10, 2003 (DE) 403 04 039

(51) **LOC (8) Cl.** **08-03**

(52) **U.S. Cl.** **D8/66**

(58) **Field of Search** D8/61, 64, 66,
D8/67, 68, 69; 30/166.3, 373, 374, 375,
376, 377, 388, 389, 390, 391; 125/3, 12,
13.01, 13.02, 13.03, 36; 144/218; 451/358

(56) **References Cited**

U.S. PATENT DOCUMENTS

787,532 A * 4/1905 McCreery 30/373
D332,735 S * 1/1993 Fushiya et al. D8/66
5,653,218 A * 8/1997 Sakamoto et al. 125/13.01
6,687,972 B1 * 2/2004 Governo 29/525
2004/0117990 A1 * 6/2004 Bohne et al. 30/124

* cited by examiner

Primary Examiner—Joel A. Sincavage

Assistant Examiner—Elizabeth Albert

(74) *Attorney, Agent, or Firm*—Michael J. Striker

(57) **CLAIM**

The ornamental design for a stone cutter, as shown and described.

DESCRIPTION

FIG. 1 is a front perspective view of a first embodiment of a stone cutter showing my new design;

FIG. 2 is a side view thereof;

FIG. 3 is the opposite side view of FIG. 2 thereof;

FIG. 4 is a top view thereof;

FIG. 5 is a bottom view thereof;

FIG. 6 is a front view thereof;

FIG. 7 is a rear view thereof;

FIG. 8 is a front perspective view of a second embodiment of a stone cutter showing my new design without inscription thereon;

FIG. 9 is a side view thereof;

FIG. 10 is the opposite side view of FIG. 9 thereof;

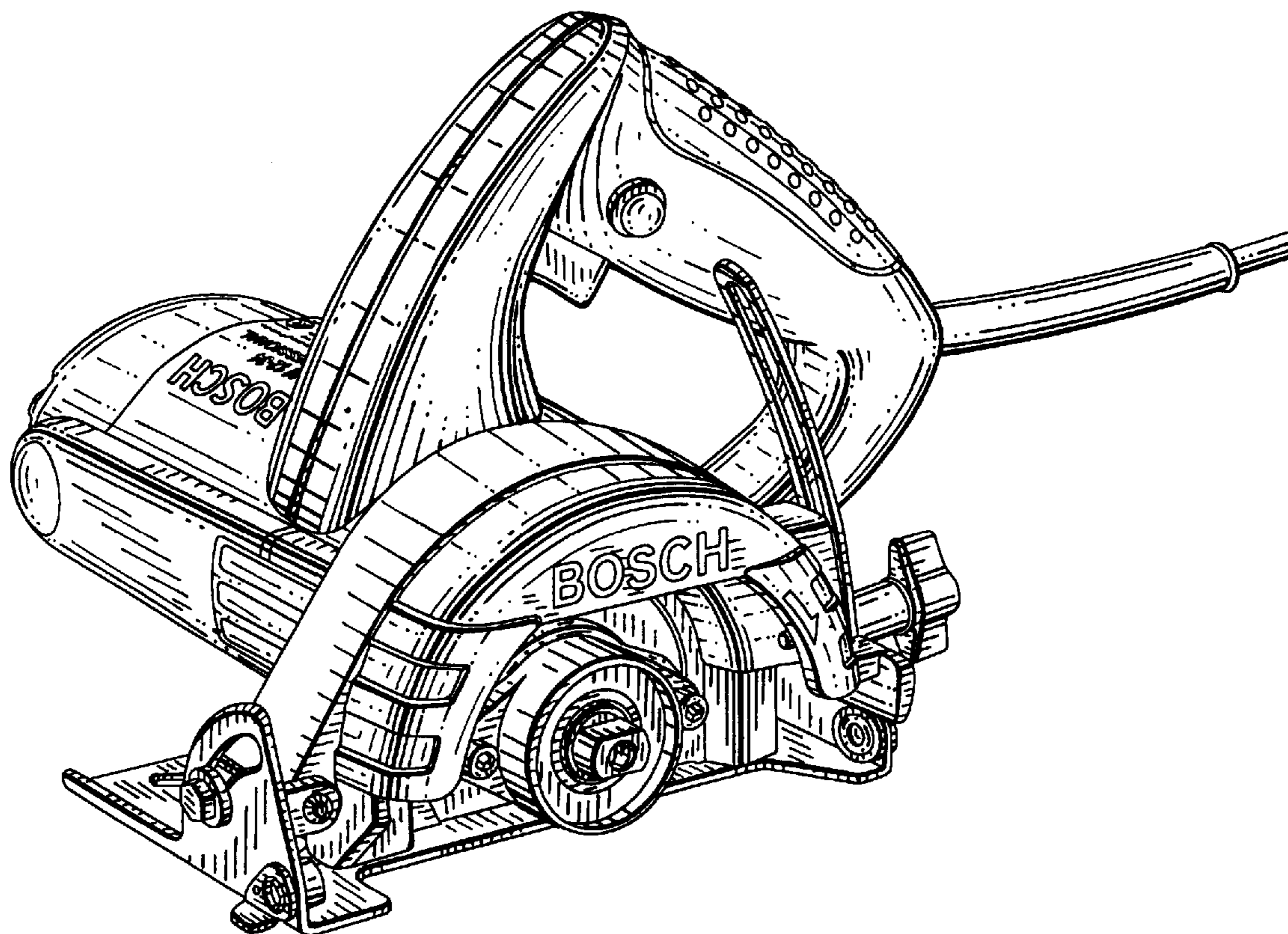
FIG. 11 is a top view thereof;

FIG. 12 is a bottom view thereof;

FIG. 13 is a front view thereof; and,

FIG. 14 is a rear view thereof.

1 Claim, 14 Drawing Sheets



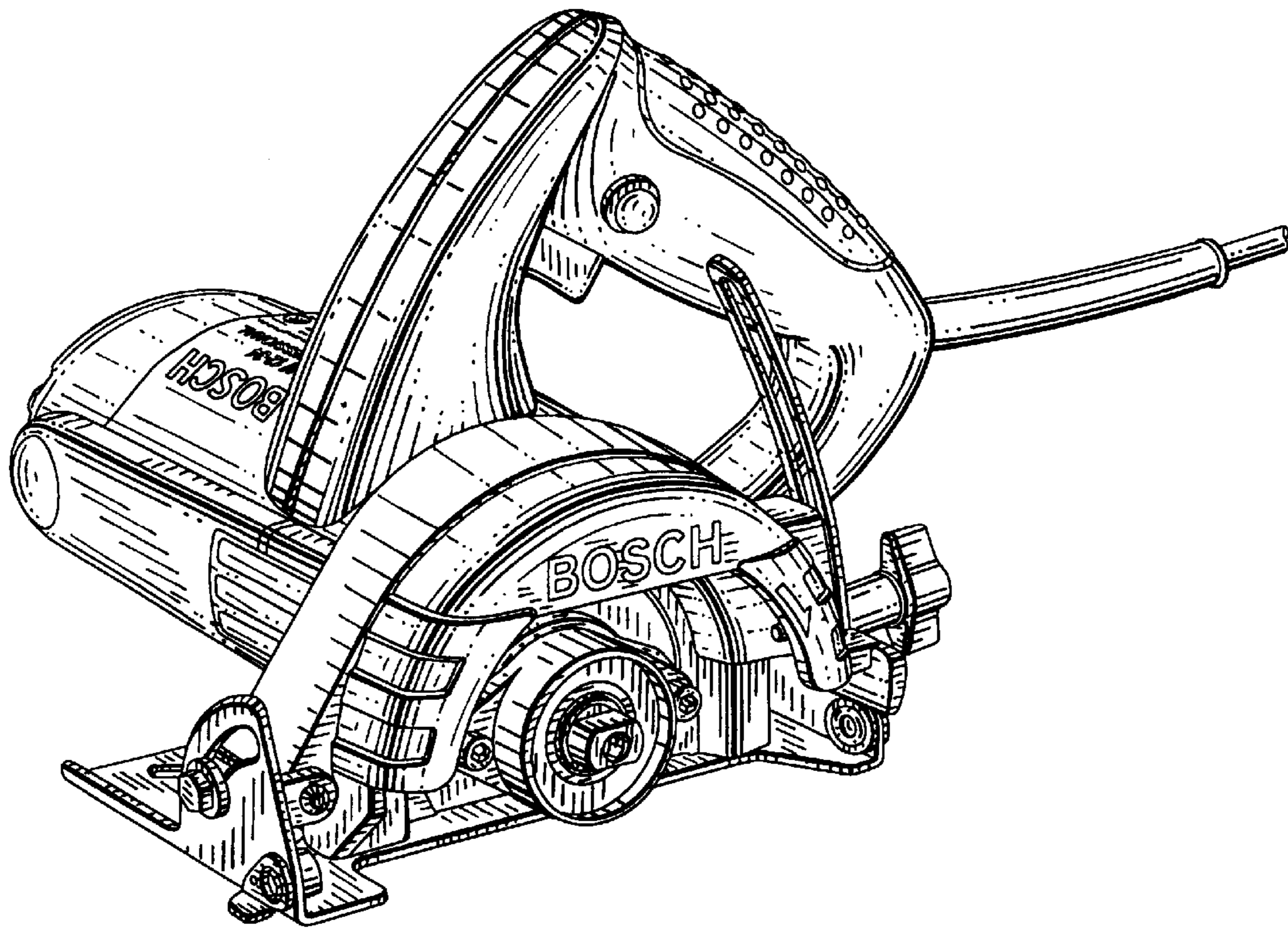


FIG. 1

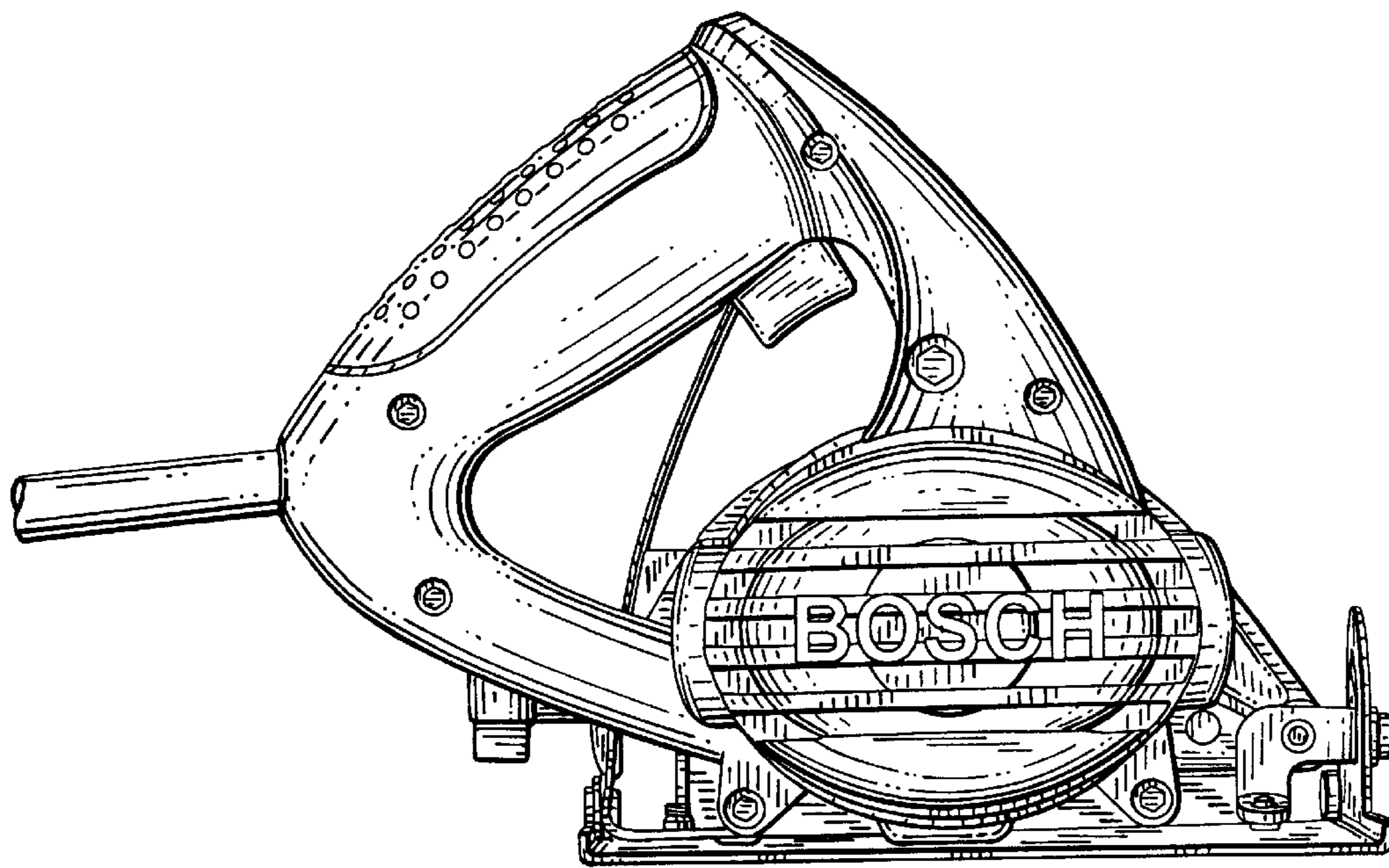


FIG. 2

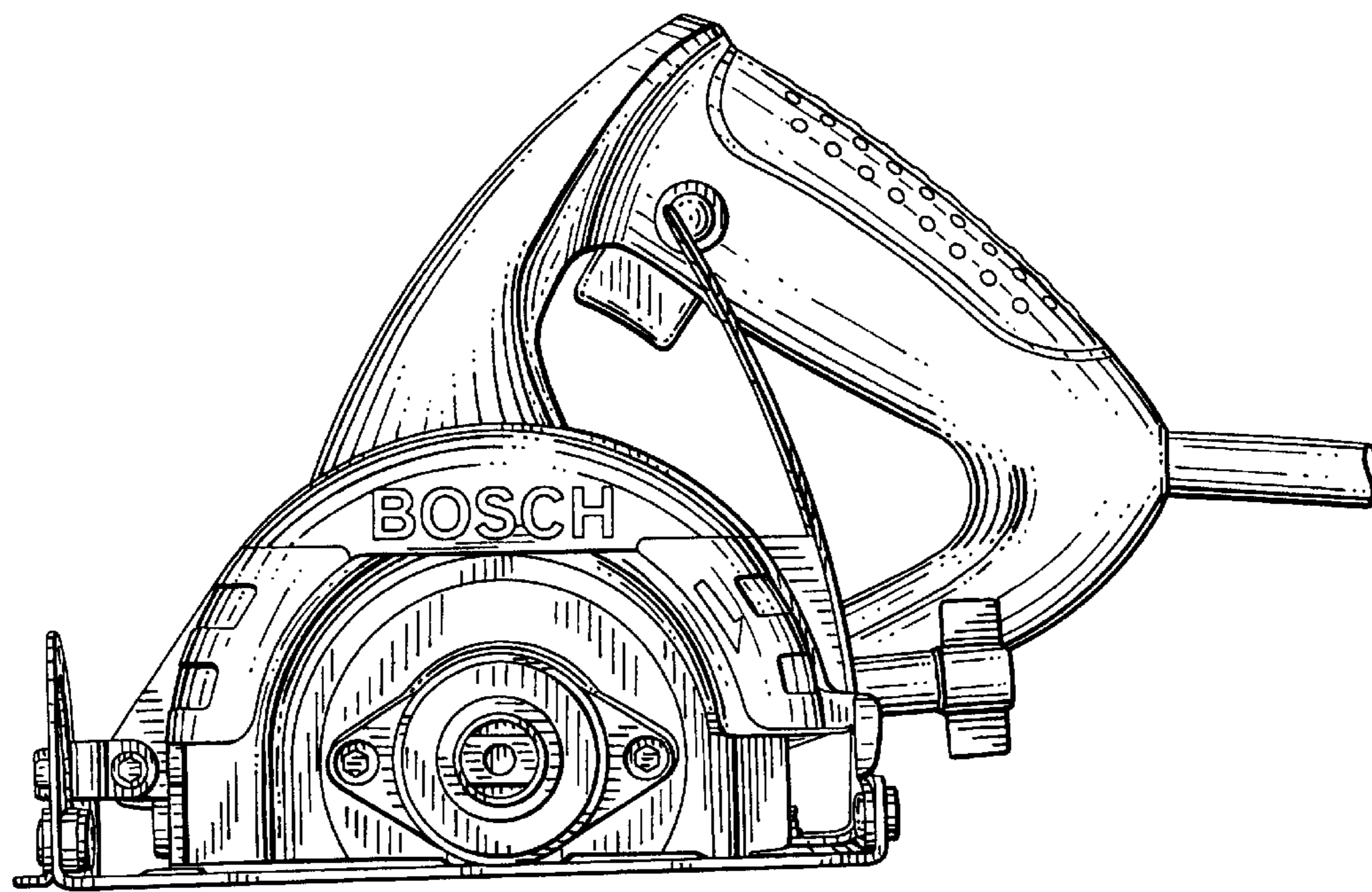


FIG. 3

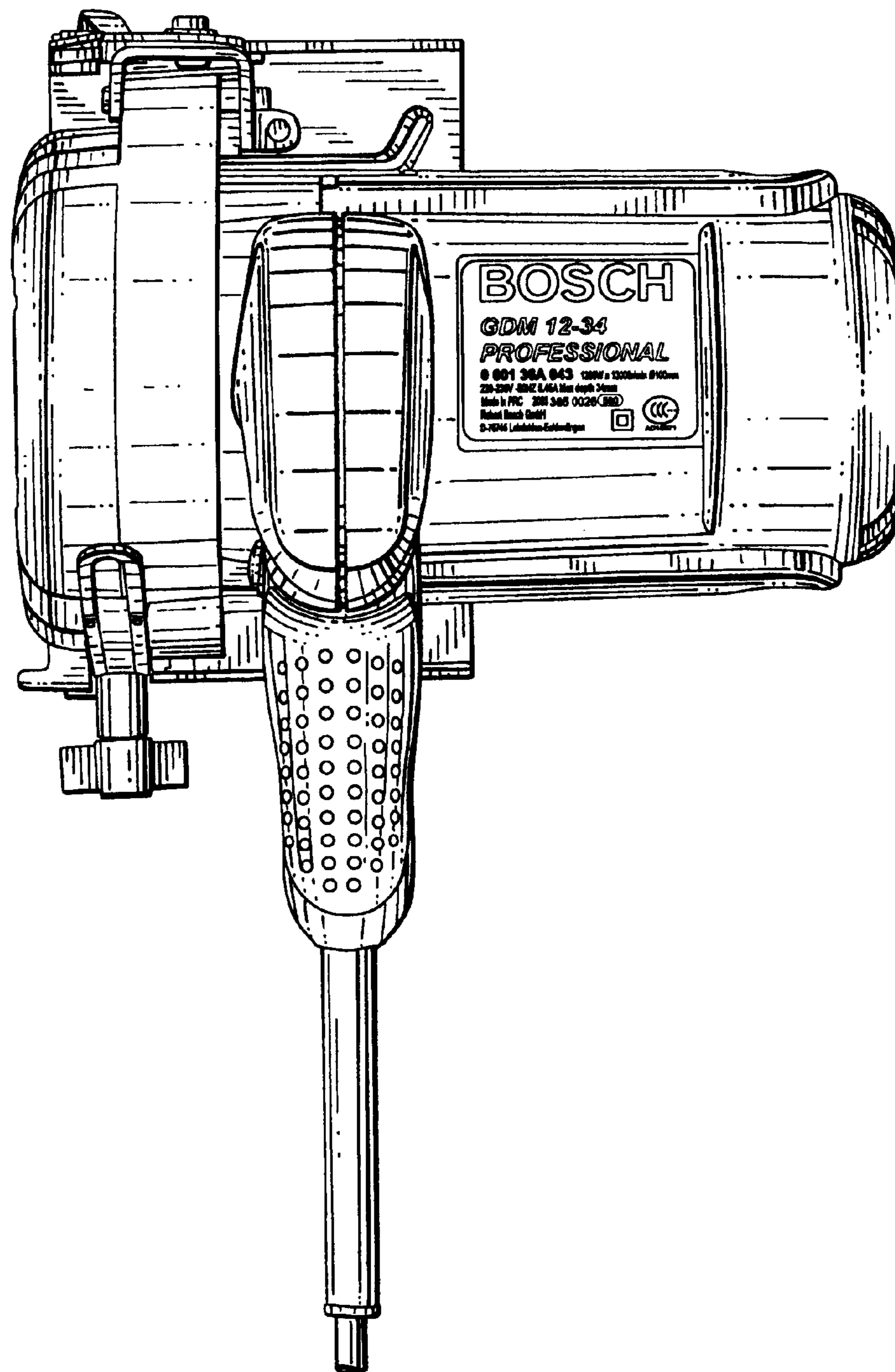


FIG. 4

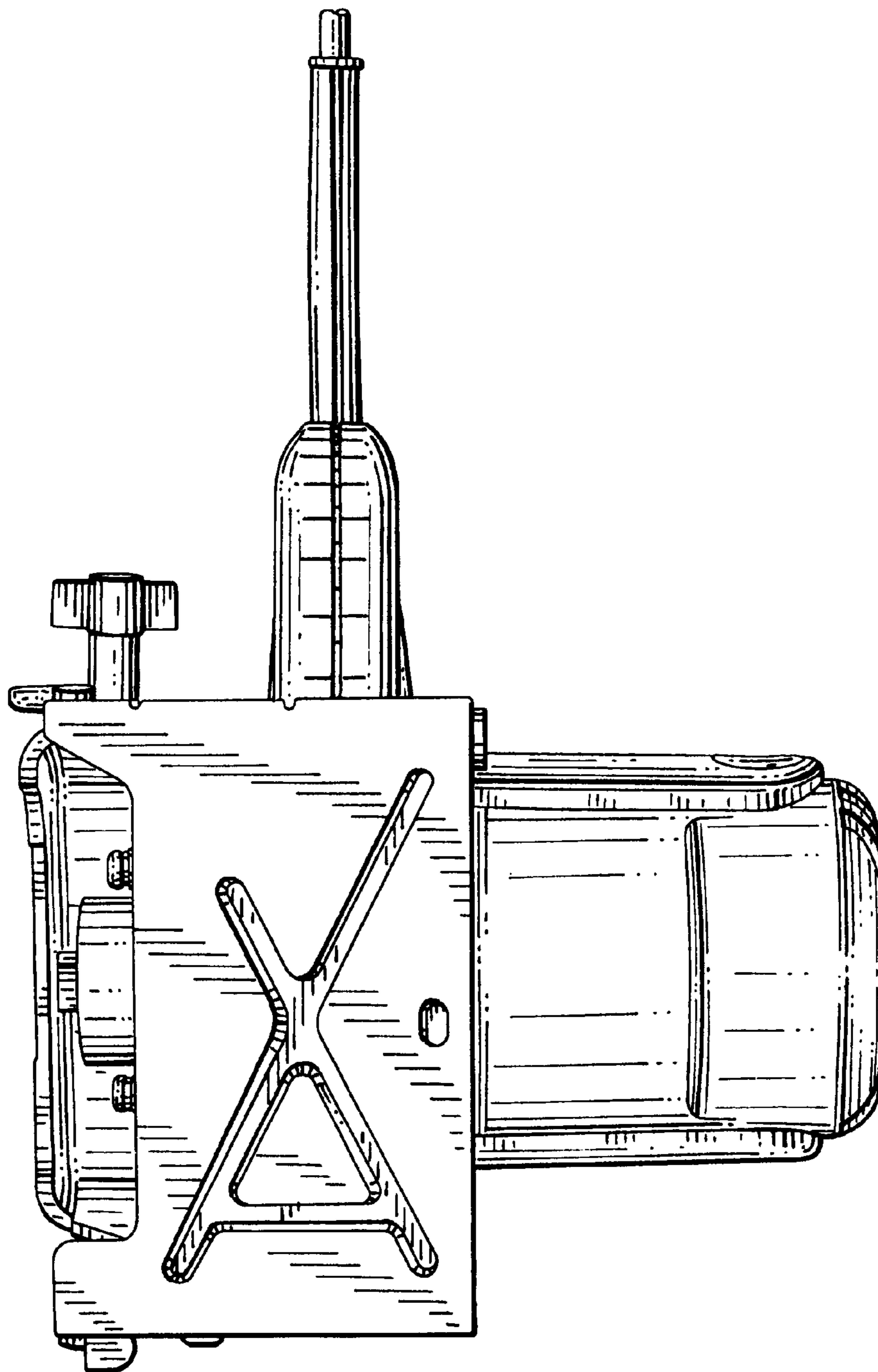


FIG. 5

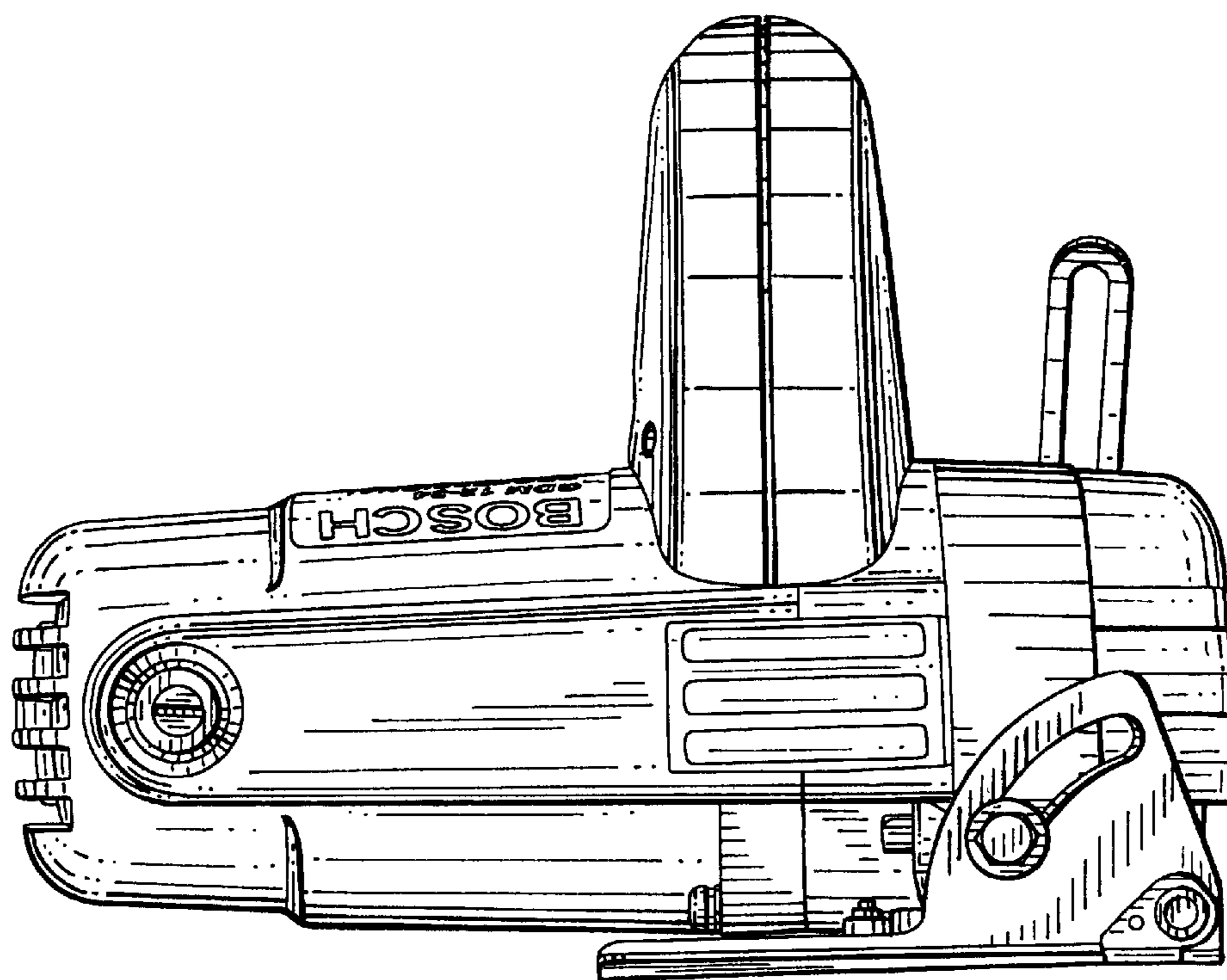


FIG. 6

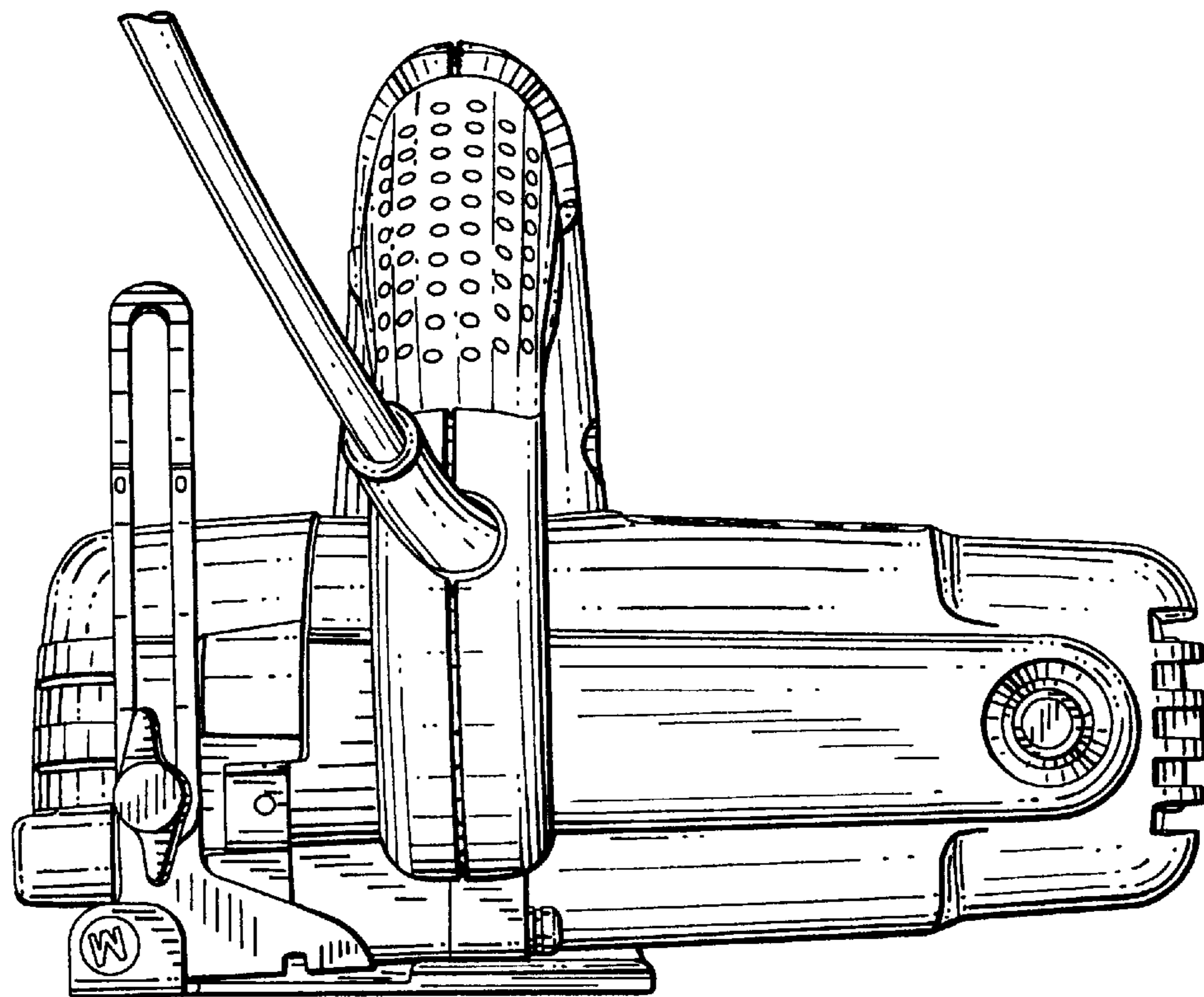


FIG. 7

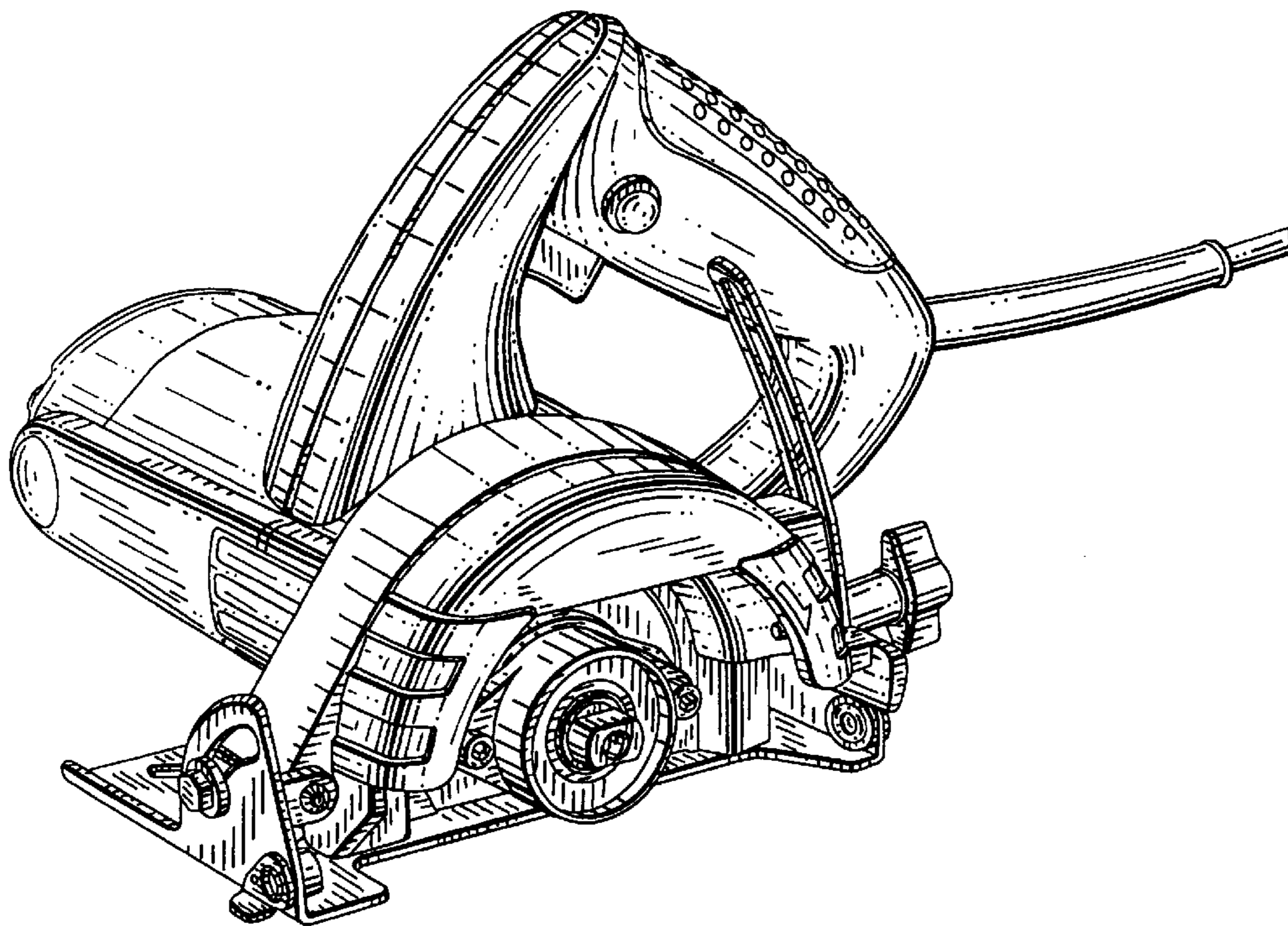


FIG. 8

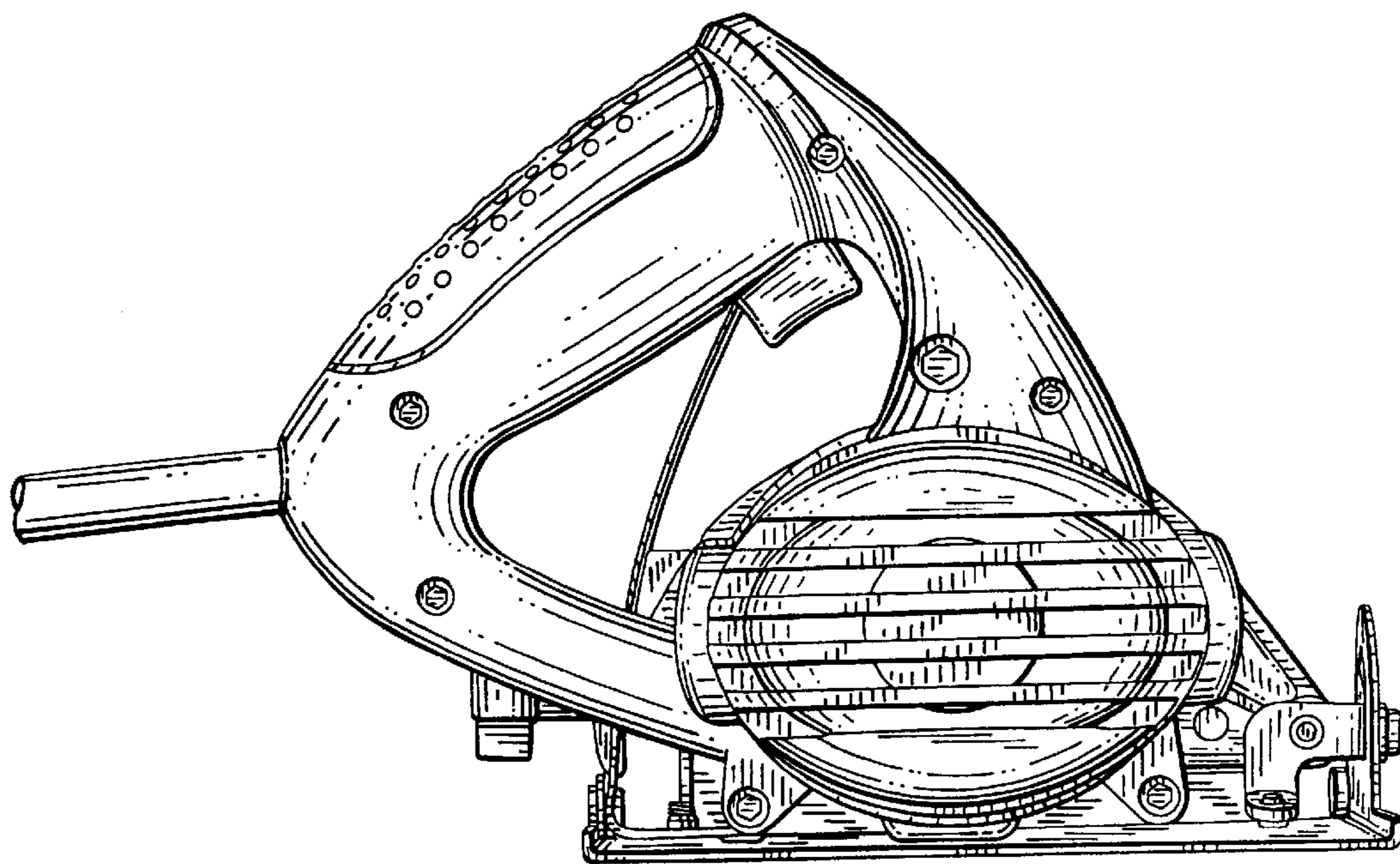


FIG. 9

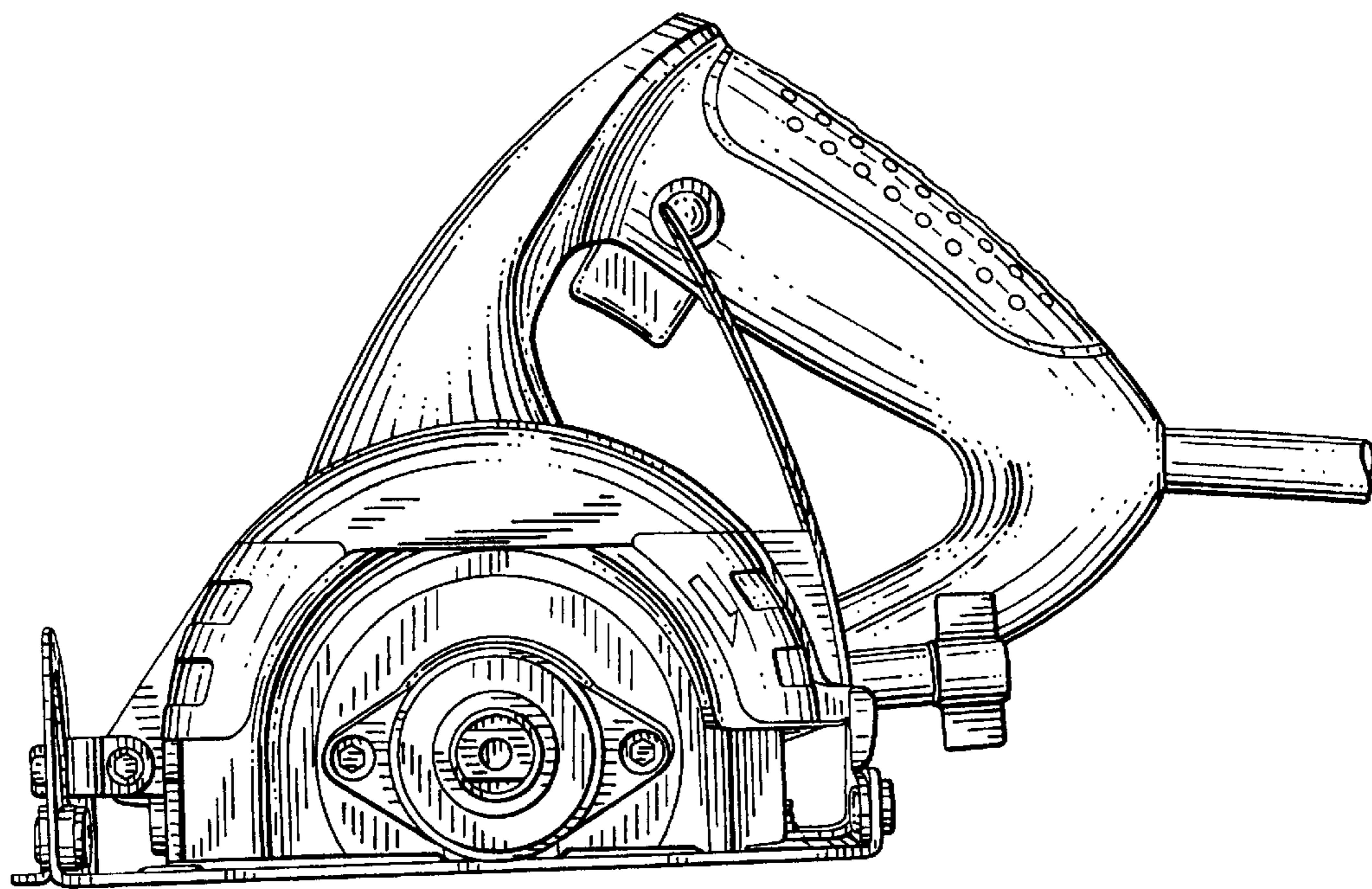


FIG. 10

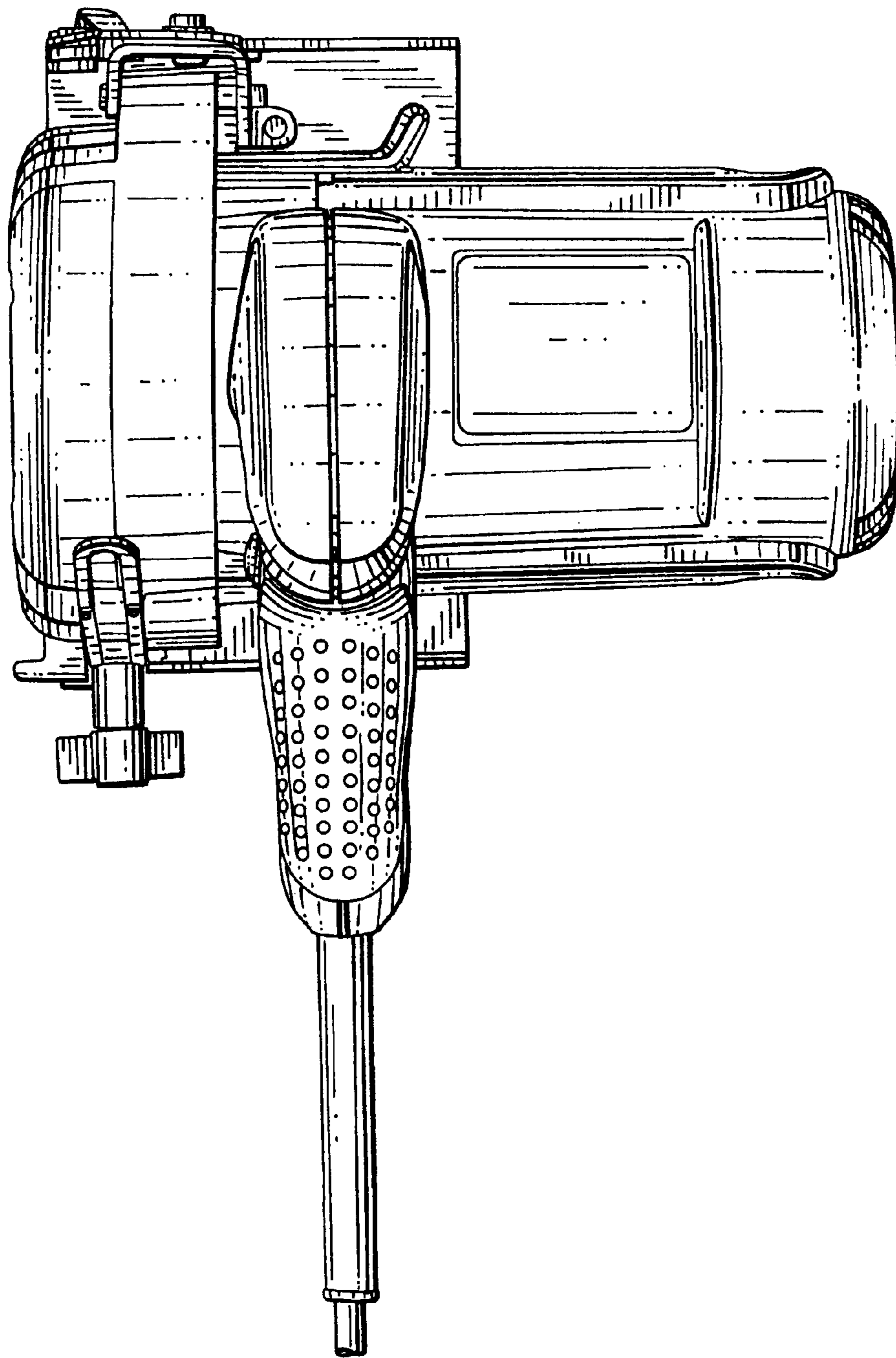


FIG. 11

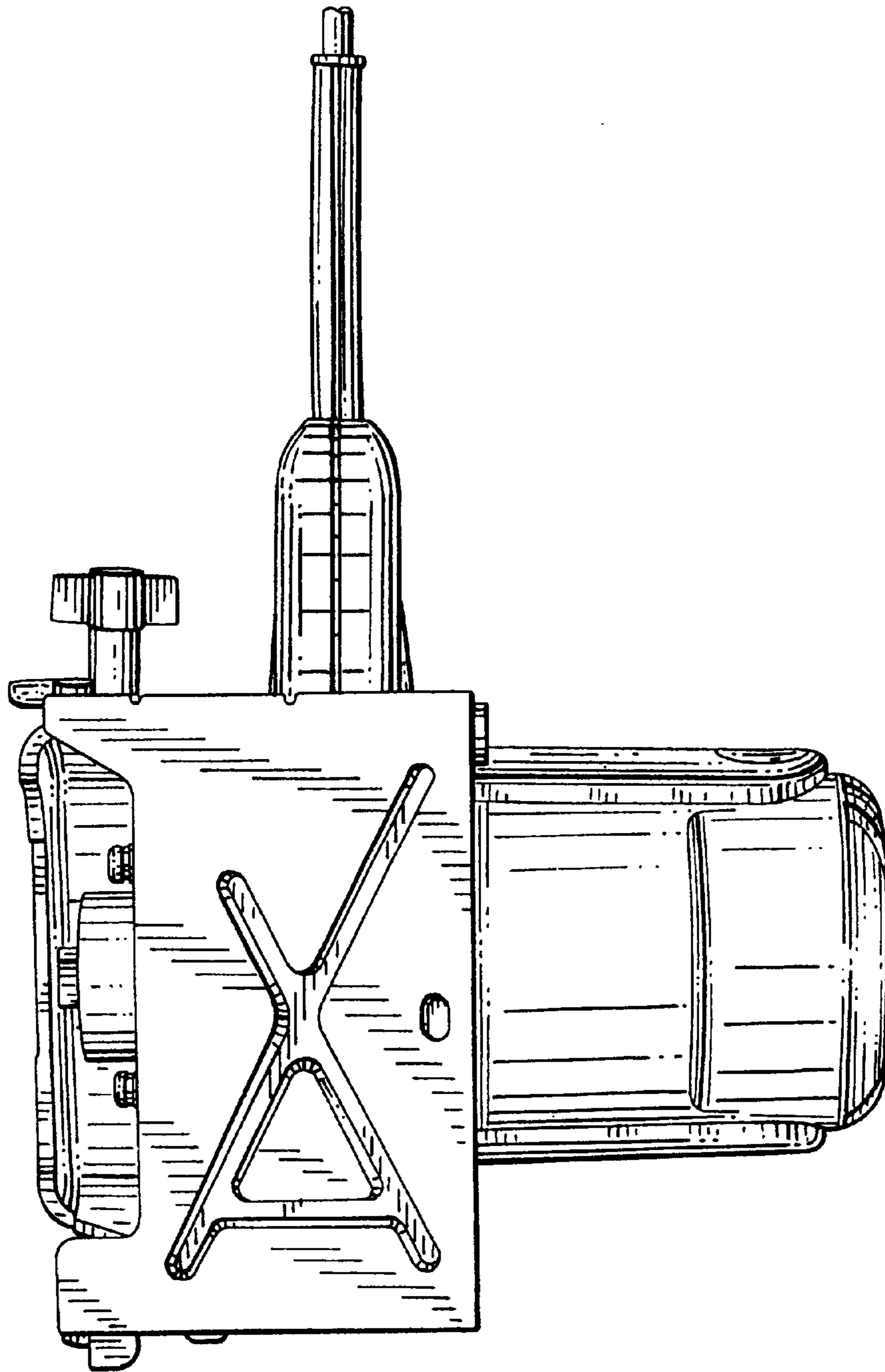


FIG. 12

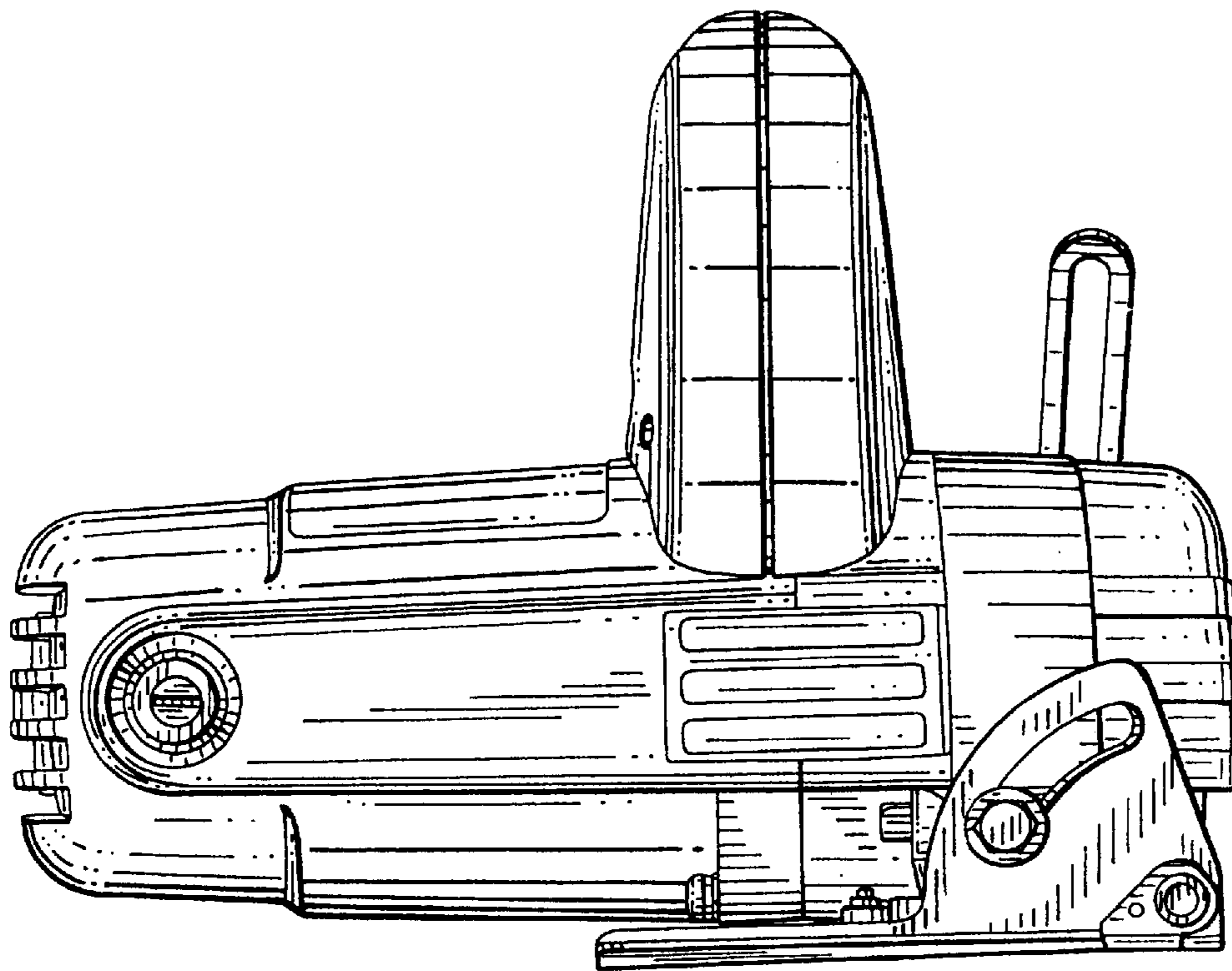


FIG. 13

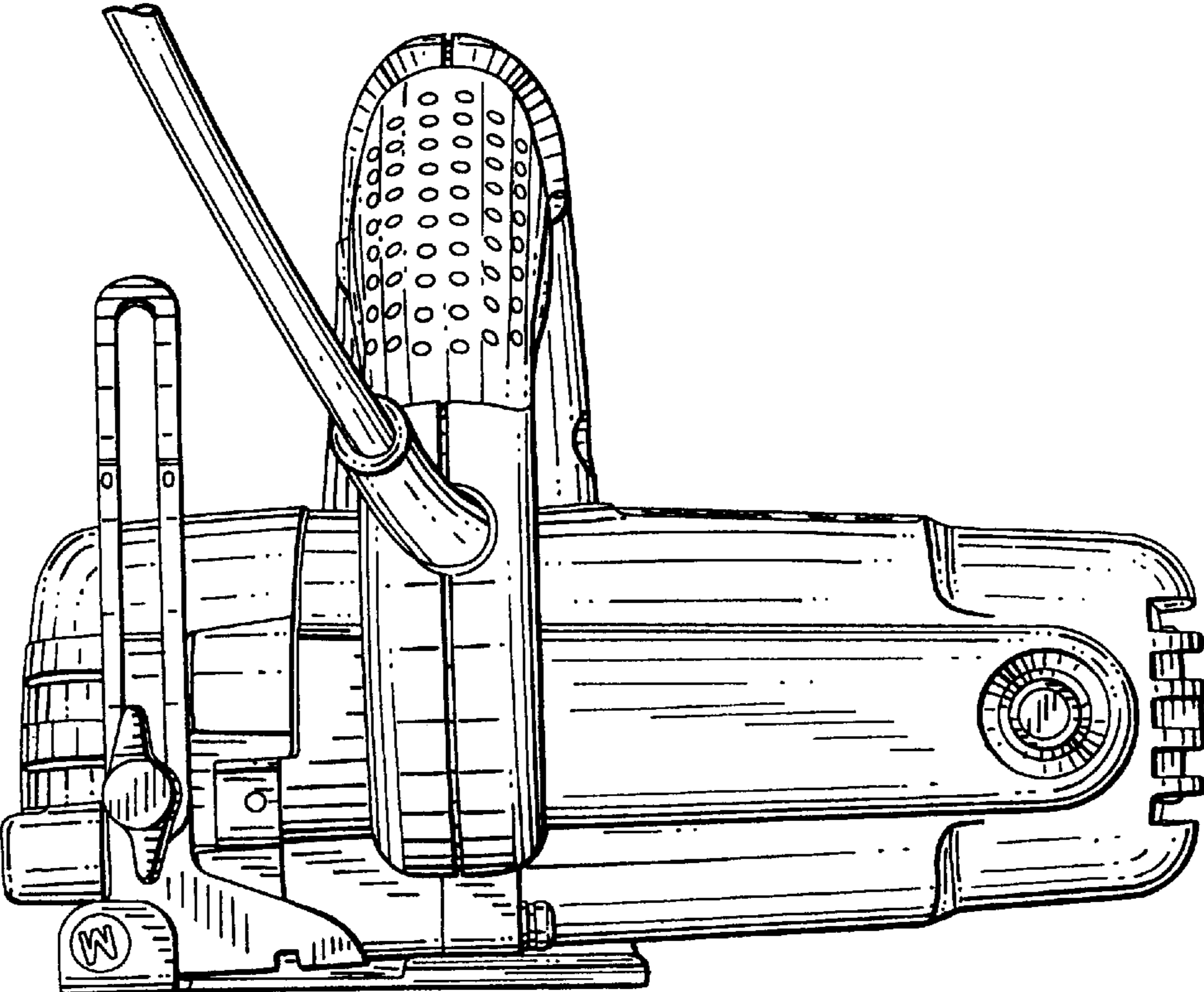


FIG. 14