

US00D509117S

(12) **United States Design Patent** (10) **Patent No.:** **US D509,117 S**
Tillman et al. (45) **Date of Patent:** **** Sep. 6, 2005**

(54) **HAND PLANER**

(75) Inventors: **Thomas Shea Tillman**, Anderson, SC (US); **Kenneth M. Brazell**, Piedmont, SC (US); **Taku Ohi**, Greer, SC (US); **Tailun Sham Kam Lun**, Tai Po (HK)

(73) Assignee: **One World Technologies, Limited**, Hamilton (BM)

(**) Term: **14 Years**

(21) Appl. No.: **29/211,816**

(22) Filed: **Aug. 23, 2004**

Related U.S. Application Data

(62) Division of application No. 29/201,010, filed on Mar. 9, 2004, now Pat. No. Des. 501,775.

(51) **LOC (8) Cl.** **08-01**

(52) **U.S. Cl.** **D8/62**

(58) **Field of Search** D8/61, 62, 67, D8/69; 30/475, 476, 477; 144/114.1, 117.4, 118, 154.5; 173/170, 171; 310/50; 409/178; 451/355, 451

(56) **References Cited**

U.S. PATENT DOCUMENTS

D282,236 S * 1/1986 Shohoji et al. D8/61
4,601,104 A * 7/1986 Zaiser et al. 30/475
D305,721 S * 1/1990 Fushiya et al. D8/62
D323,098 S * 1/1992 Sakamoto et al. D8/62

5,094,000 A * 3/1992 Becht et al. 30/475
5,815,934 A * 10/1998 Eichberger et al. 30/475
D413,779 S * 9/1999 Hayakawa et al. D8/62
D475,594 S * 6/2003 Bian D8/62
6,612,089 B1 * 9/2003 Mann 52/749.1
6,688,349 B2 * 2/2004 Roshilavati Razlan et al. .. 144/154.5

* cited by examiner

Primary Examiner—Joel A. Sincavage
Assistant Examiner—Elizabeth Albert

(74) *Attorney, Agent, or Firm*—Joseph T. Guy; Nexsen Pruet, LLC

(57) **CLAIM**

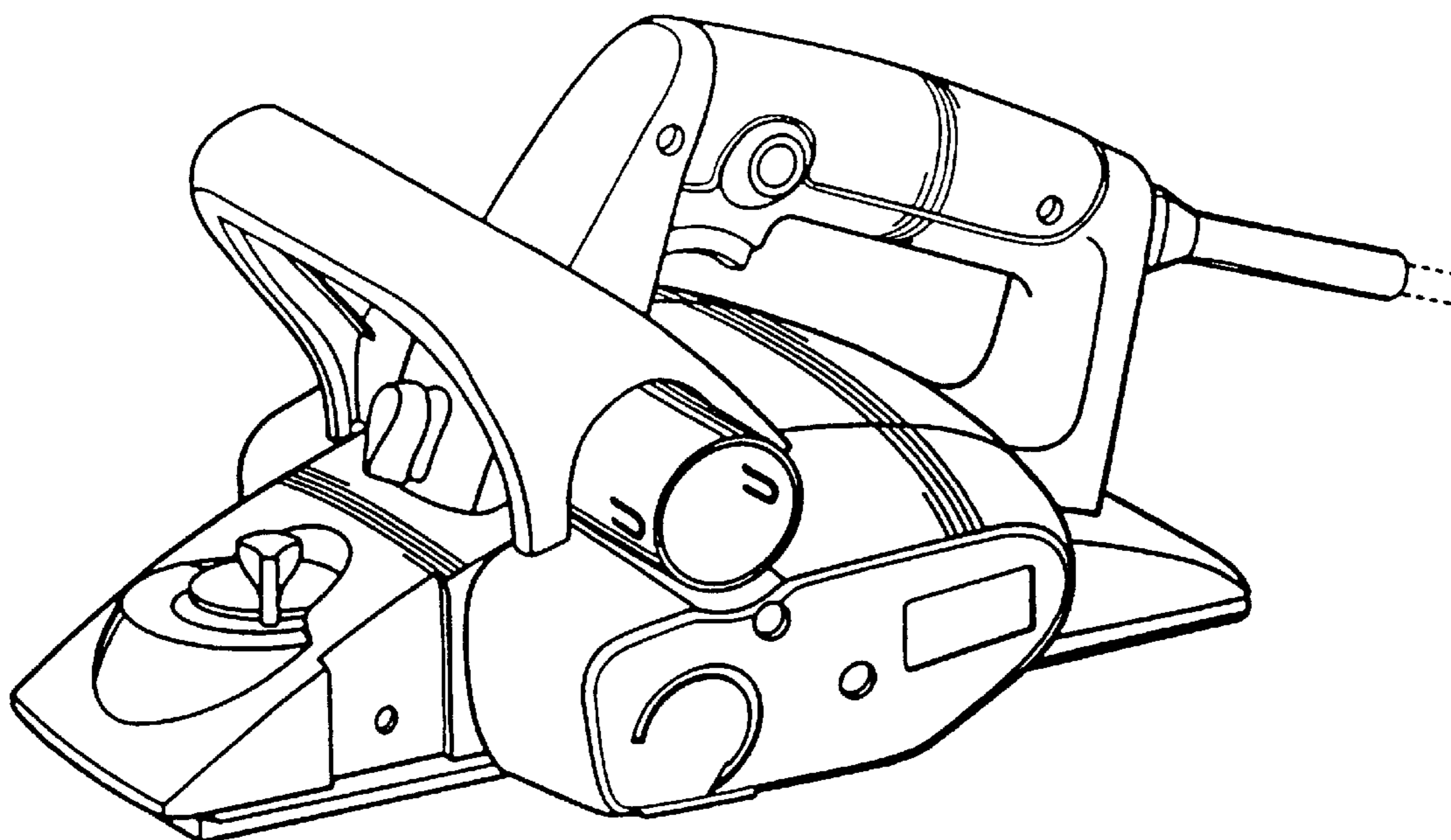
The ornamental design for a hand planer, as shown and described.

DESCRIPTION

FIG. 1 is a top left perspective view of the hand planer of the present invention;
FIG. 2 is a bottom left perspective view thereof;
FIG. 3 is a right side view thereof;
FIG. 4 is a left side view thereof;
FIG. 5 is a front view thereof;
FIG. 6 is a rear view thereof;
FIG. 7 is a top view thereof; and,
FIG. 8 is a bottom view thereof.

The broken lines showing environment in the drawings are for information purposes only and form no part of the claimed design.

1 Claim, 3 Drawing Sheets



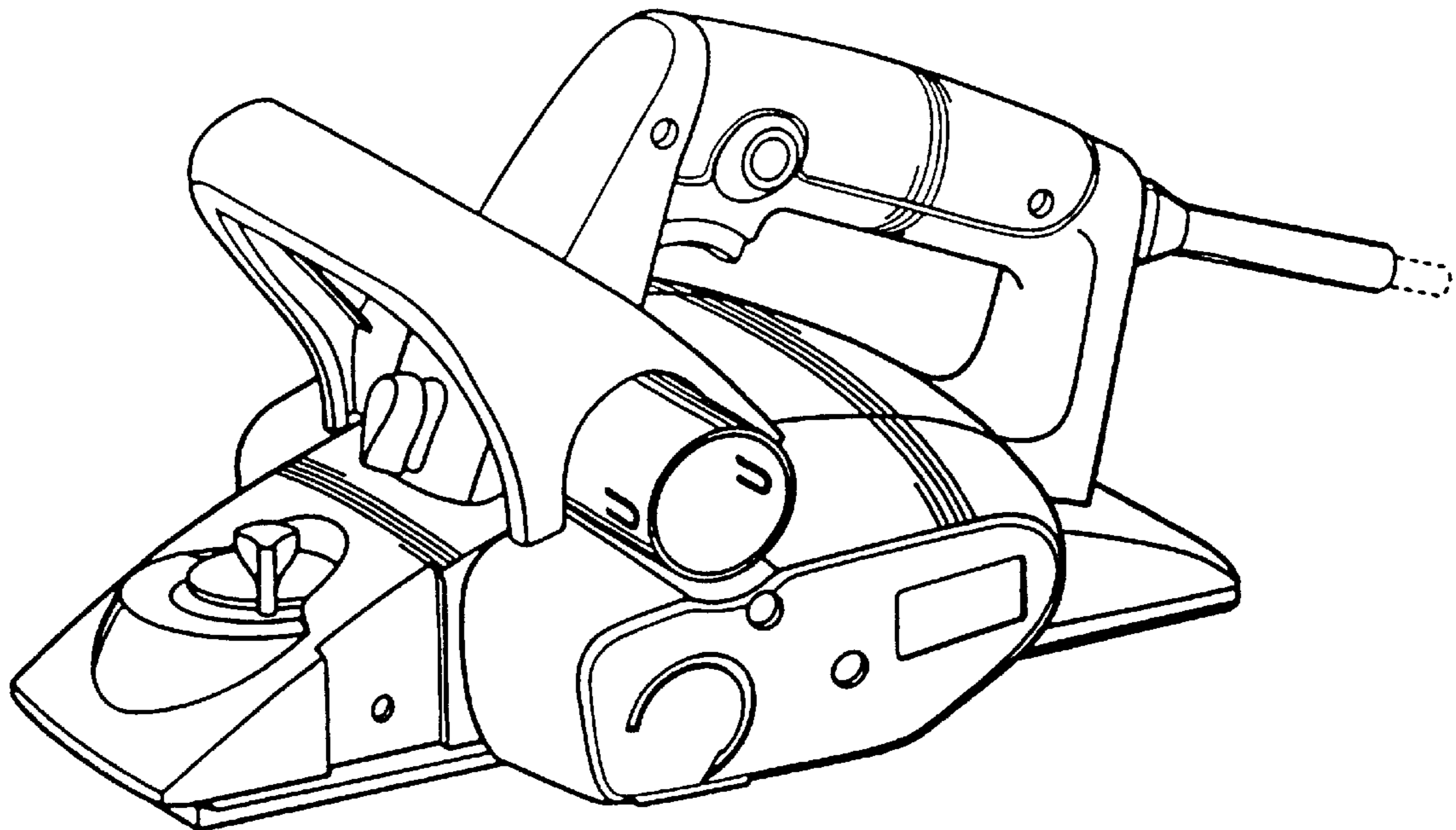


FIG. 1

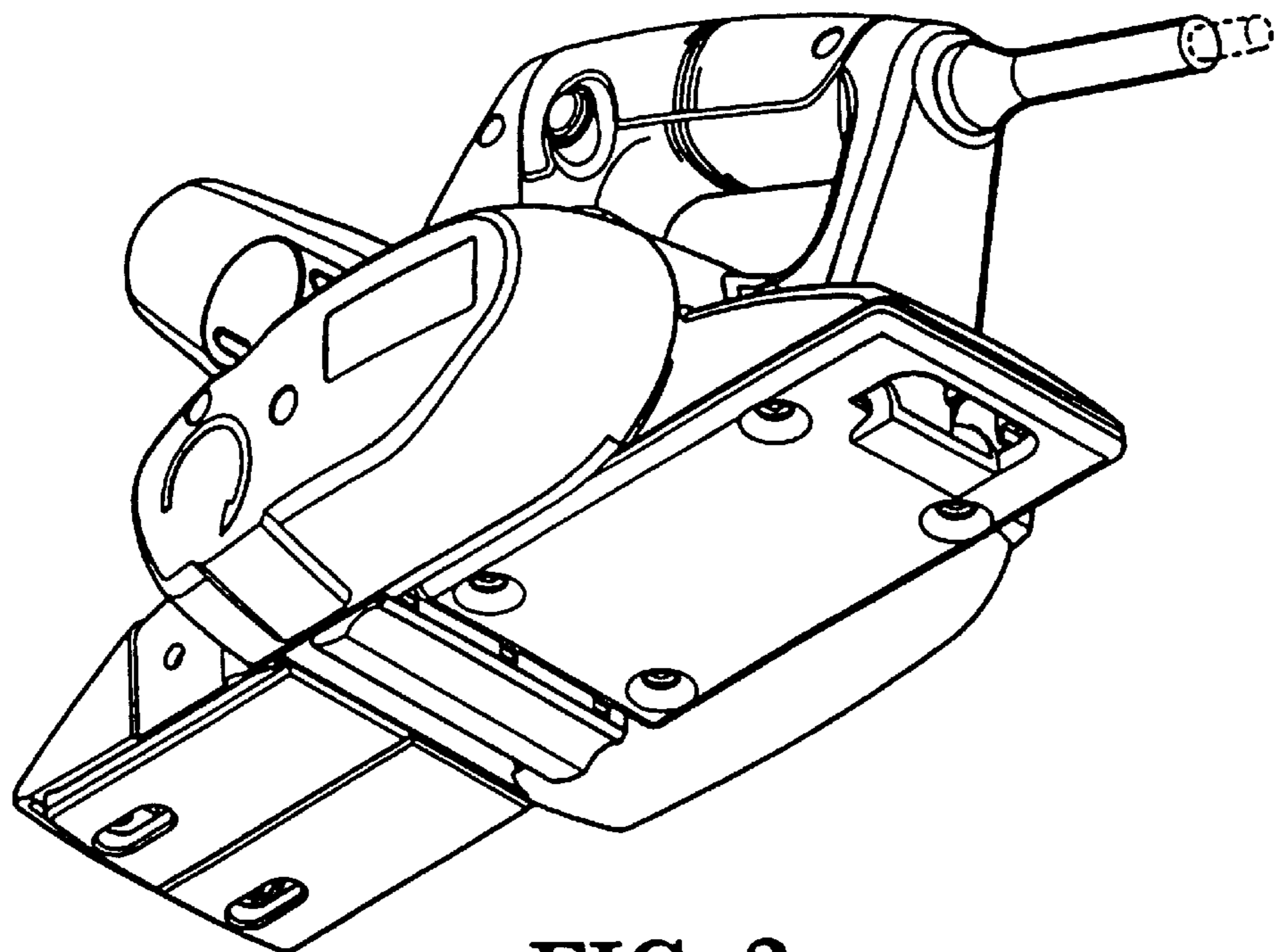
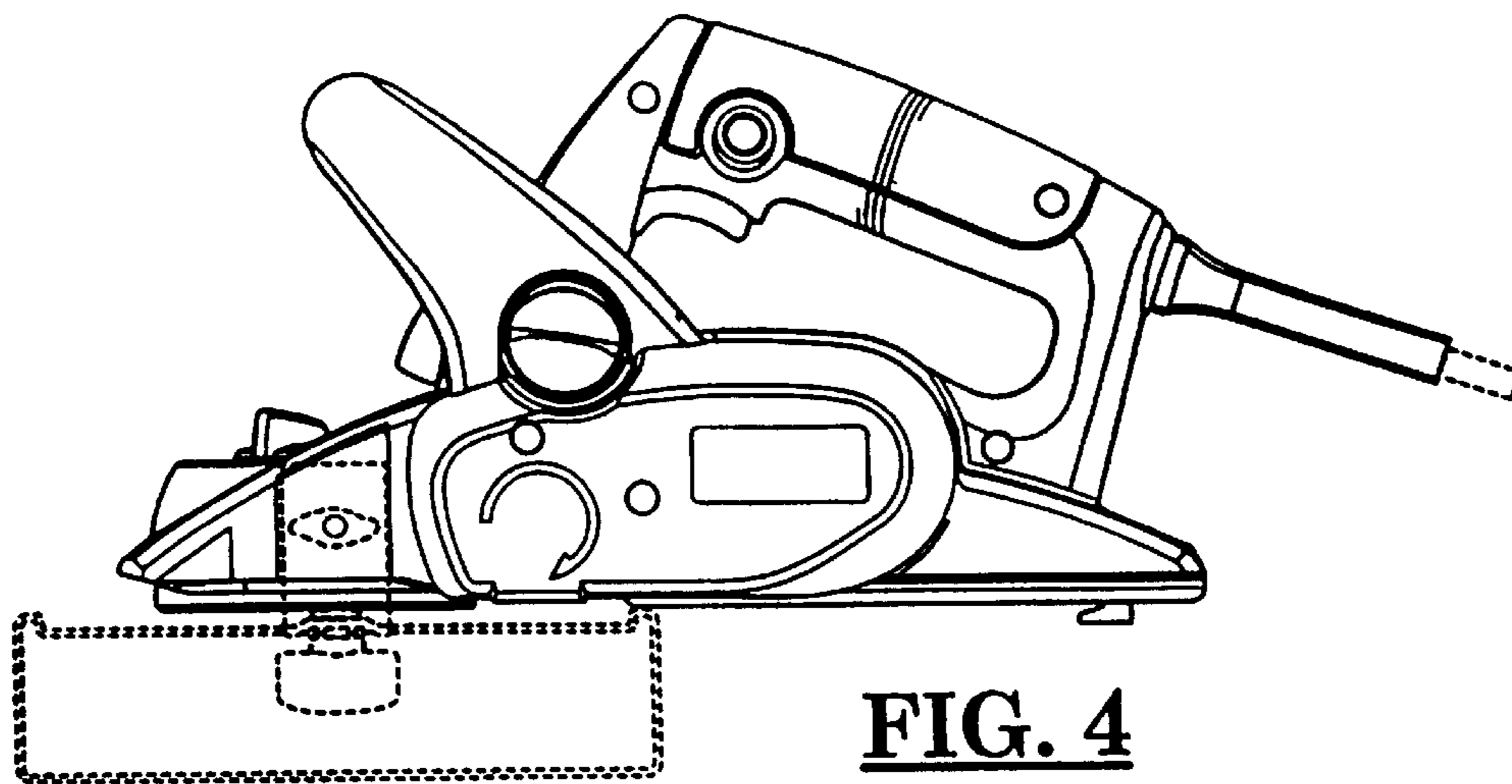
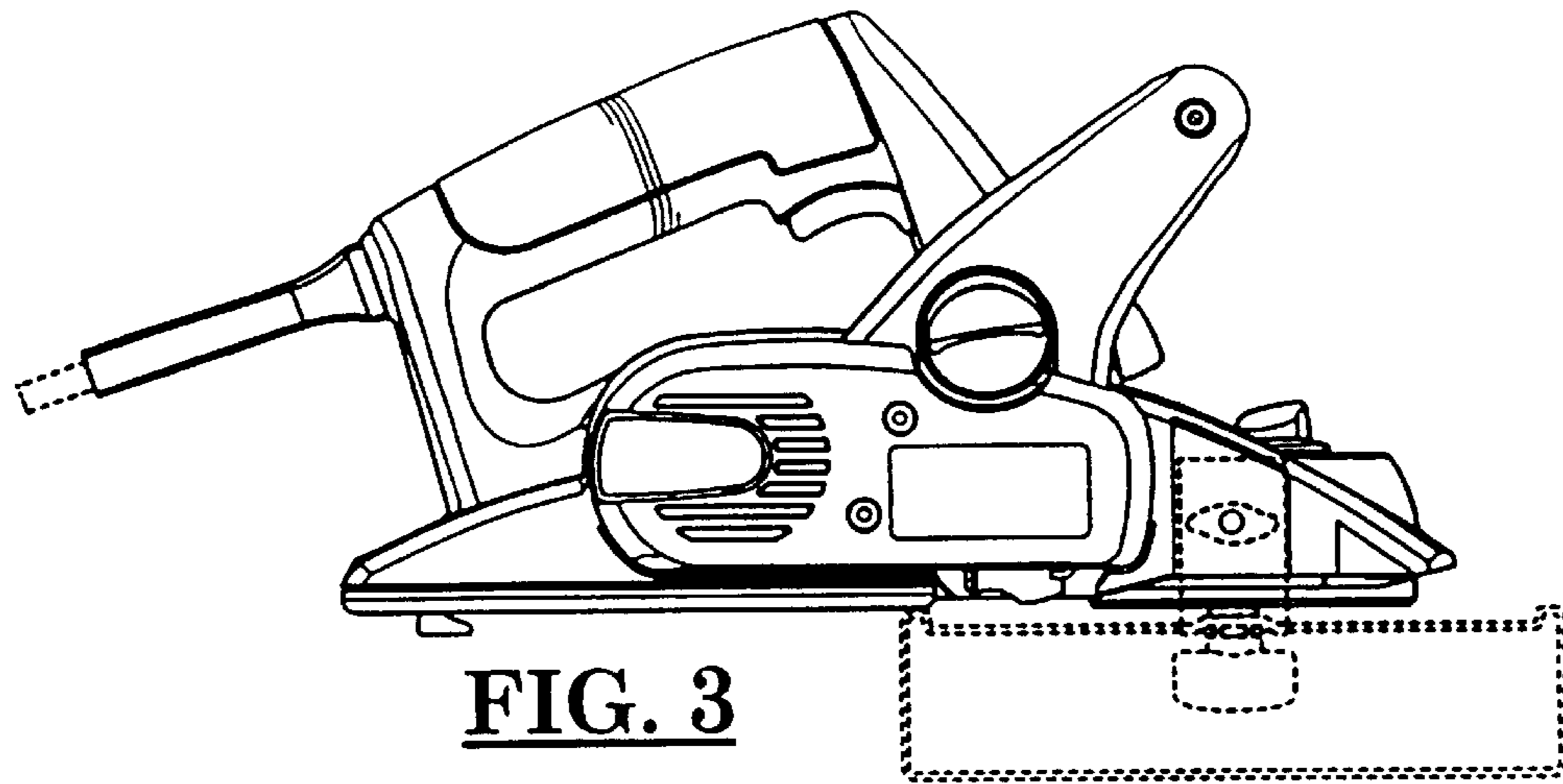


FIG. 2



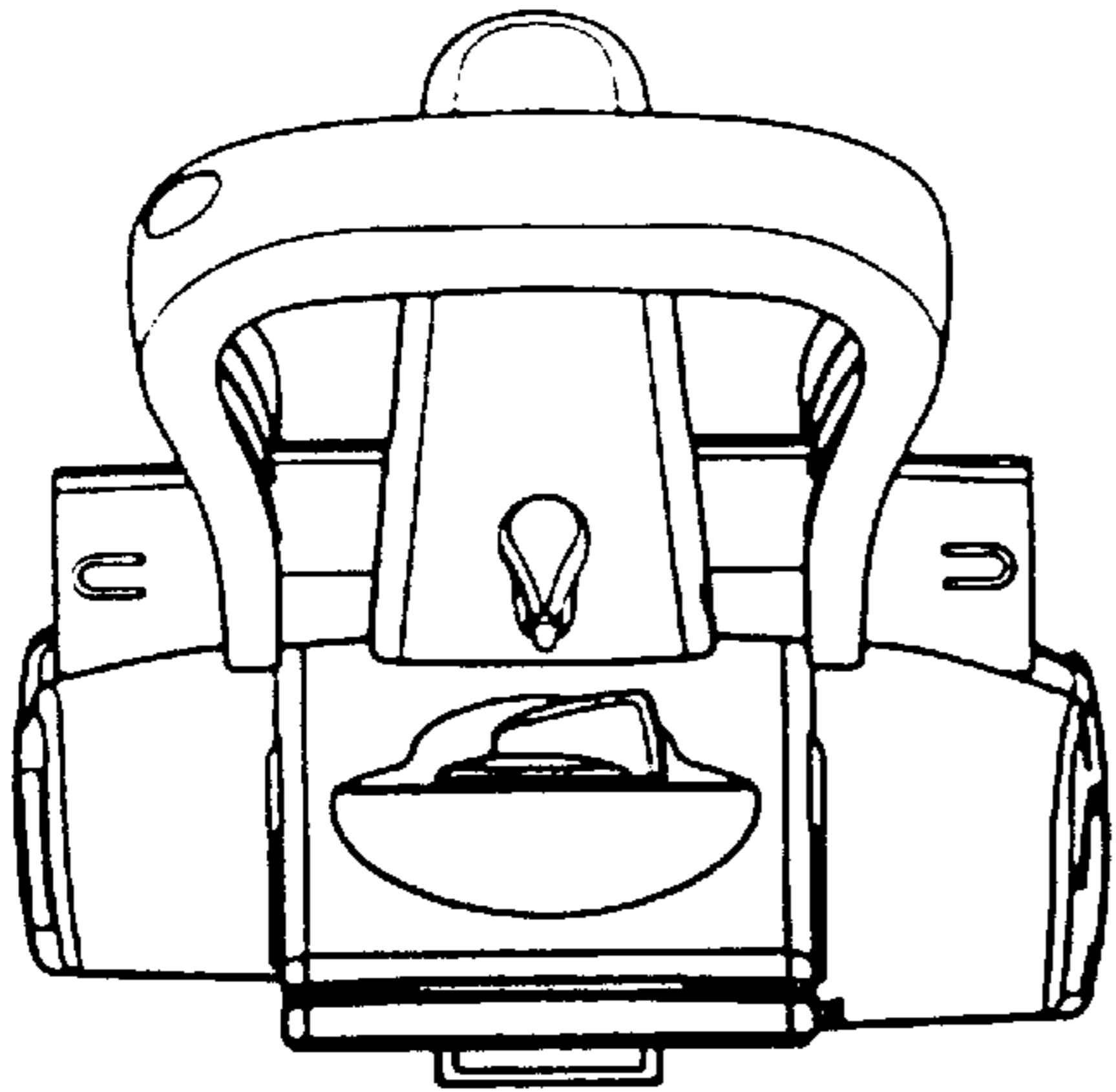


FIG. 5

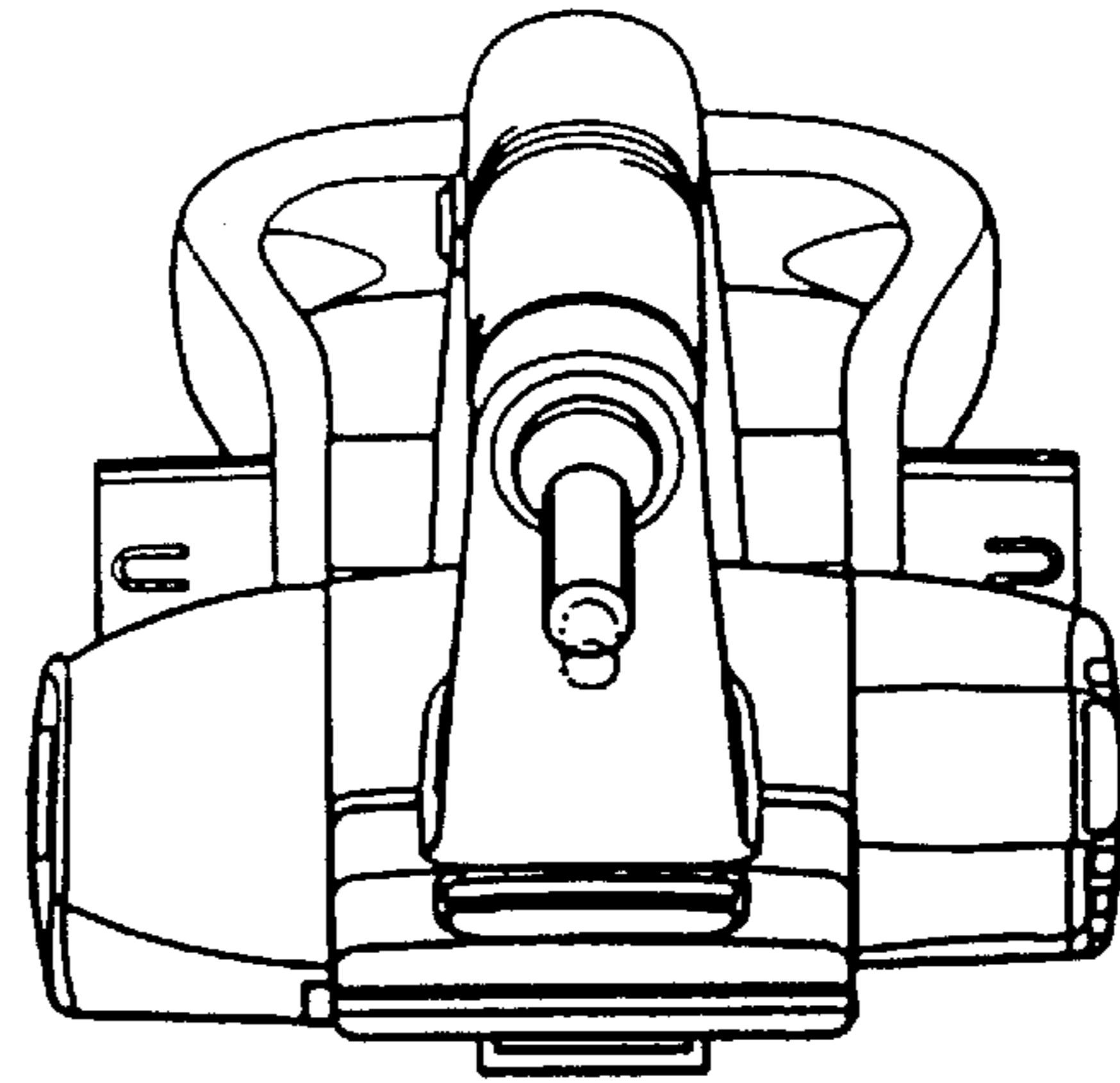


FIG. 6

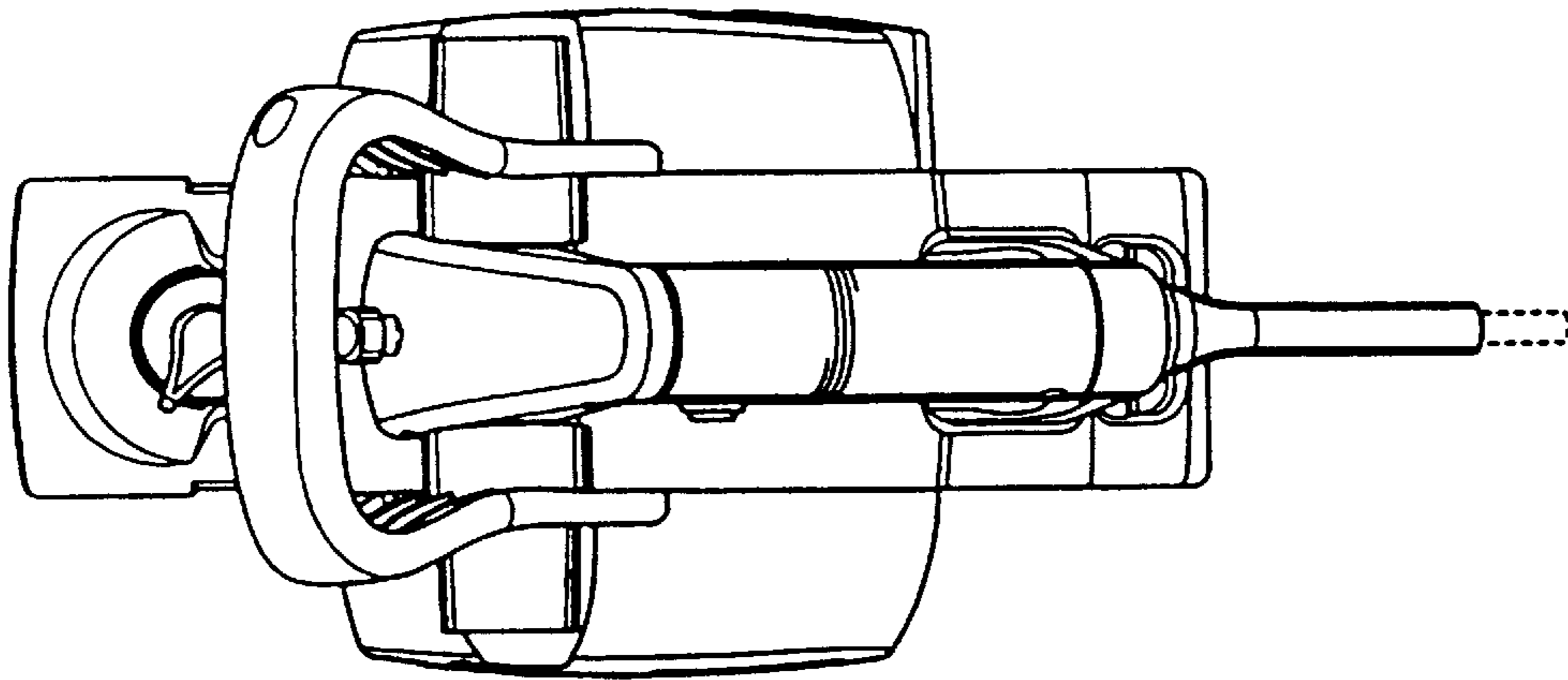


FIG. 7

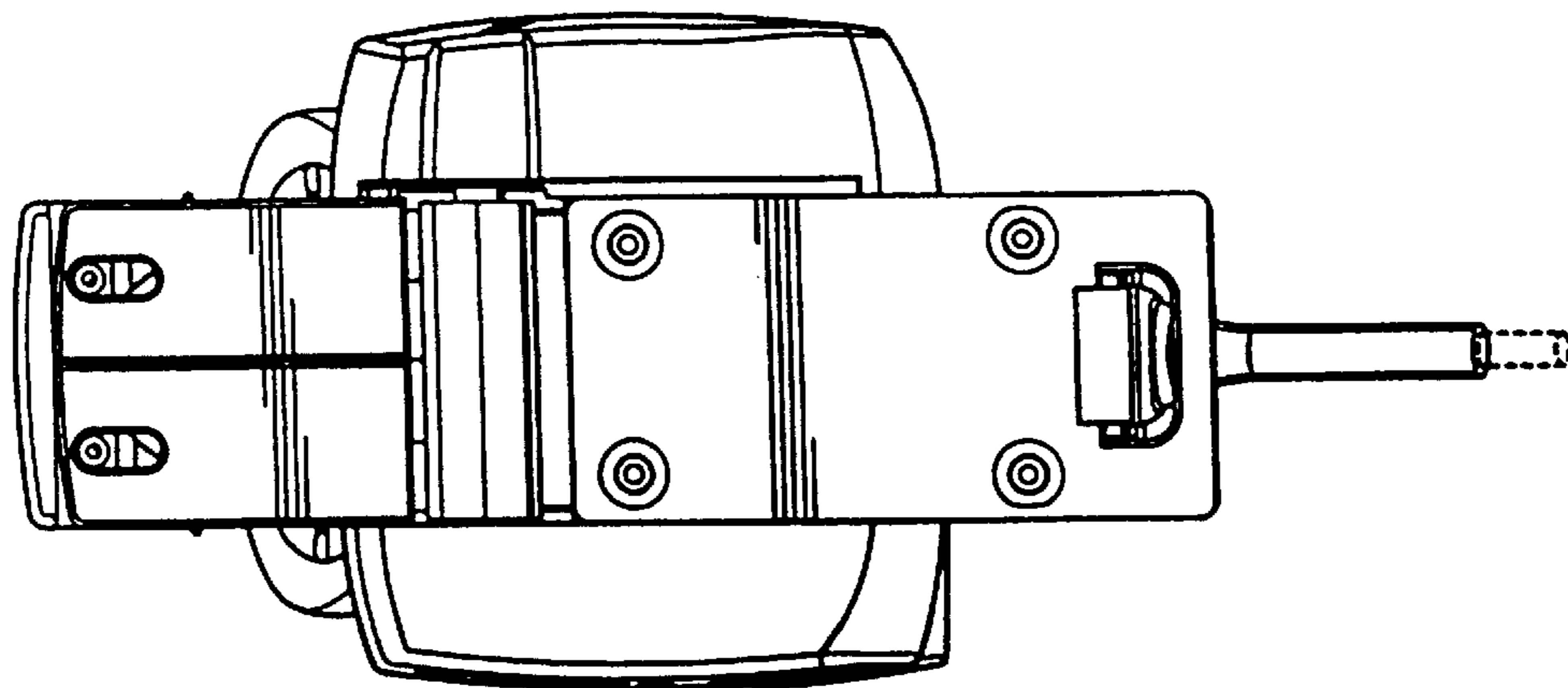


FIG. 8