

US00D509108S

(12) **United States Design Patent**  
**Rosenberg et al.**

(10) **Patent No.:** **US D509,108 S**

(45) **Date of Patent:** **\*\* Sep. 6, 2005**

(54) **EXPANDABLE RACK FOR DISHES AND PLATTERS**

(76) **Inventors:** **Gayle Rosenberg**, Harmon Cove Towers, c/o GSL Enterprises, Suite #2, Secaucus, NJ (US) 07094; **Eli "S" Pine**, 827 Harmon Cove Towers, Secaucus, NJ (US) 07094

(\*\*) **Term:** **14 Years**

(21) **Appl. No.:** **29/202,854**

(22) **Filed:** **Apr. 7, 2004**

(51) **LOC (8) Cl.** ..... **07-99**

(52) **U.S. Cl.** ..... **D7/601; D7/707**

(58) **Field of Search** ..... D7/601, 637-641, D7/701, 707, 708; D6/462, 463, 465-468, 476, 552, 553, 566; 211/41.1, 41.2, 41.17, 41.18, 126.13, 13.1

(56) **References Cited**

**U.S. PATENT DOCUMENTS**

1,853,888 A \* 4/1932 Williams ..... 211/41.1  
D486,669 S \* 2/2004 Wang ..... D6/426  
D497,776 S \* 11/2004 Berger et al. .... D7/601

\* cited by examiner

*Primary Examiner*—Terry A. Wallace

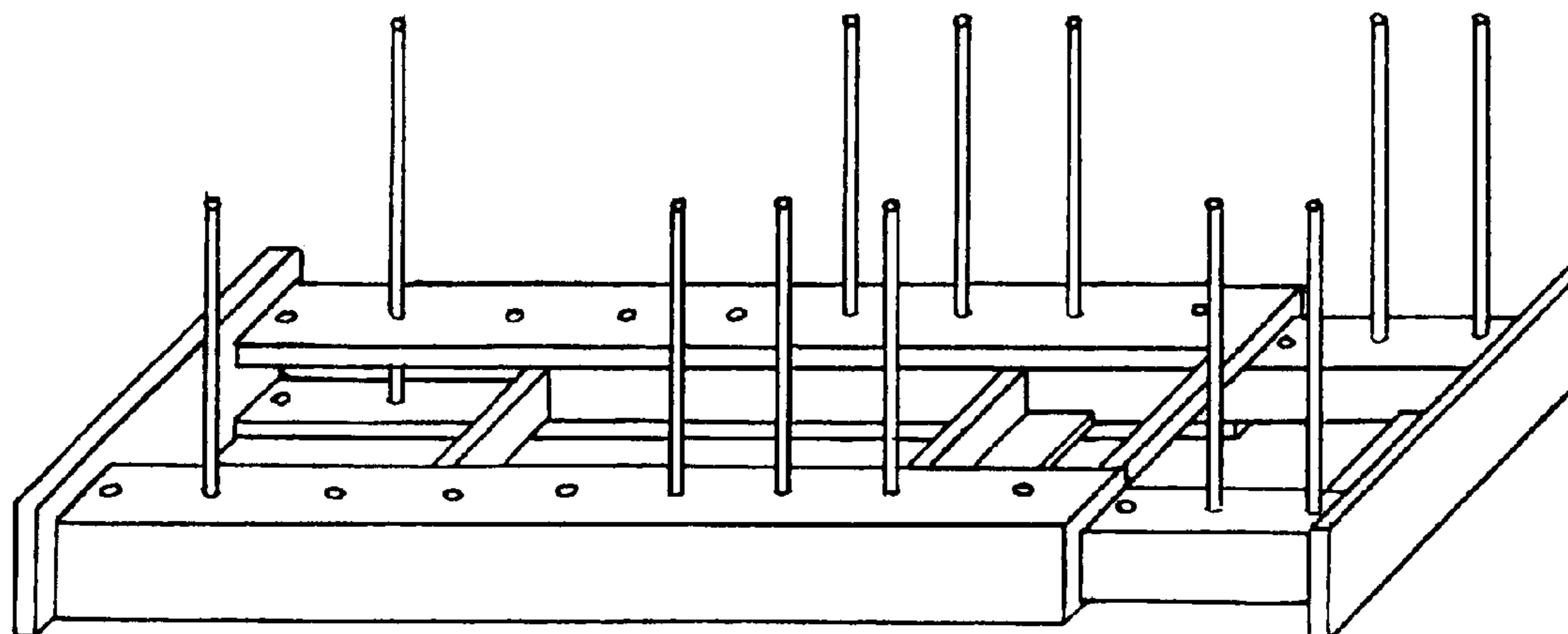
(57) **CLAIM**

The ornamental design for an expandable rack for dishes and platters, as shown.

**DESCRIPTION**

FIG. 1 is a perspective view of the expandable rack for dishes and platters.

**1 Claim, 1 Drawing Sheet**



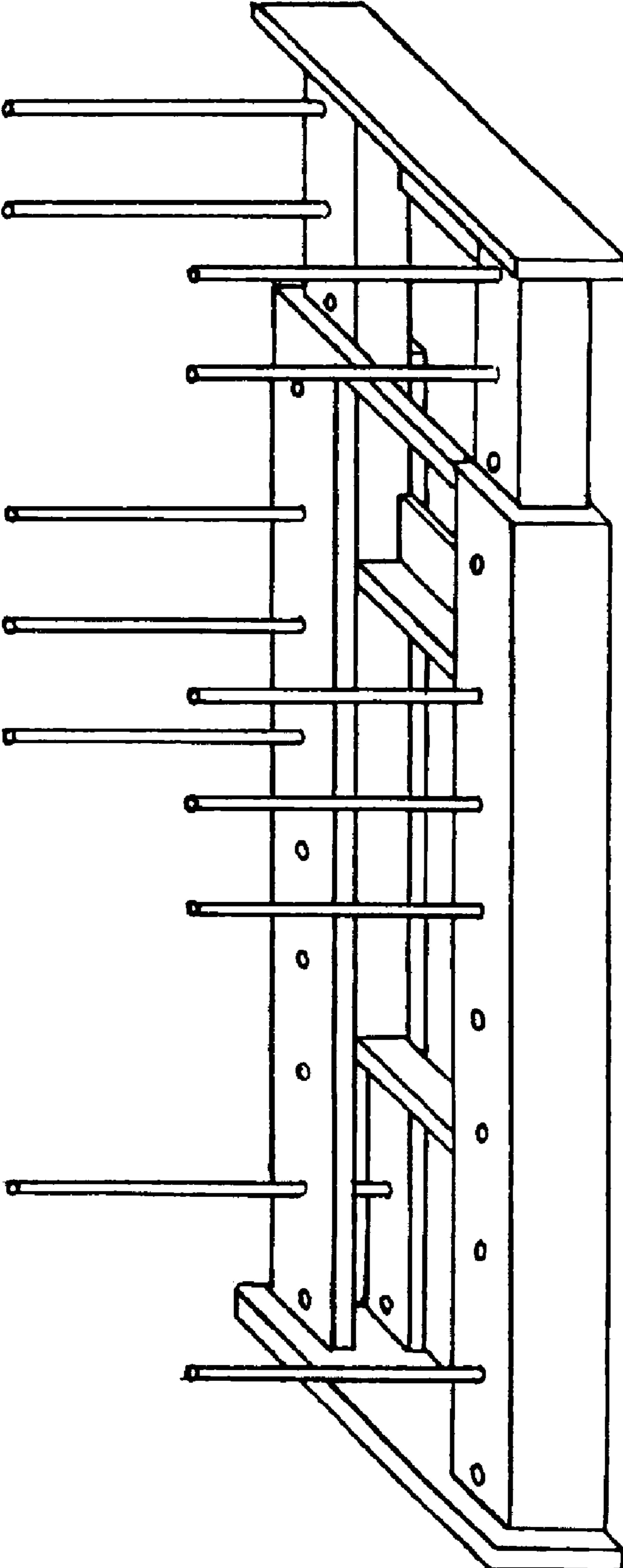


FIGURE 1