

US00D509106S

(12) **United States Design Patent**
de Grootte et al.

(10) **Patent No.:** **US D509,106 S**
(45) **Date of Patent:** **** Sep. 6, 2005**

(54) **MIXING BOWL FOR FOOD**
(75) Inventors: **Jan-Hendrik de Grootte**, Brussels
(BE); **Victor J. J. Cautereels**, Ranst
(BE)
(73) Assignee: **Dart Industries Inc.**, Orlando, FL (US)
(**) Term: **14 Years**

D347,969 S 6/1994 Cousins et al.
D349,005 S 7/1994 Cousins et al.
D349,213 S 8/1994 Cousins et al.
D383,646 S 9/1997 Jeppesen et al. D7/548
D442,831 S * 5/2001 Jacobs D7/584
D452,417 S * 12/2001 Whitmore et al. D7/543
D453,094 S * 1/2002 Maggard et al. D7/584
D480,604 S 10/2003 Lillelund et al. D7/543
D480,909 S 10/2003 Morgan D7/354
D487,672 S * 3/2004 Cote et al. D7/545
2002/0125255 A1 * 9/2002 Gasco et al. 220/574

(21) Appl. No.: **29/199,268**
(22) Filed: **Feb. 12, 2004**

FOREIGN PATENT DOCUMENTS

GB 2104416 * 9/2001

* cited by examiner

Primary Examiner—Charles A. Rademaker
(74) *Attorney, Agent, or Firm*—John A. Doninger

(51) **LOC (8) Cl.** **07-01**
(52) **U.S. Cl.** **D7/587**
(58) **Field of Search** D7/542, 545, 549,
D7/550.1, 553.1–553.5, 554.1–554.4, 555,
557, 584–588, 553.7–553.8; 220/223.83,
574; 211/74; 493/167; 229/106

(57) **CLAIM**

The ornamental design for a mixing bowl for food, as shown and described.

(56) **References Cited**

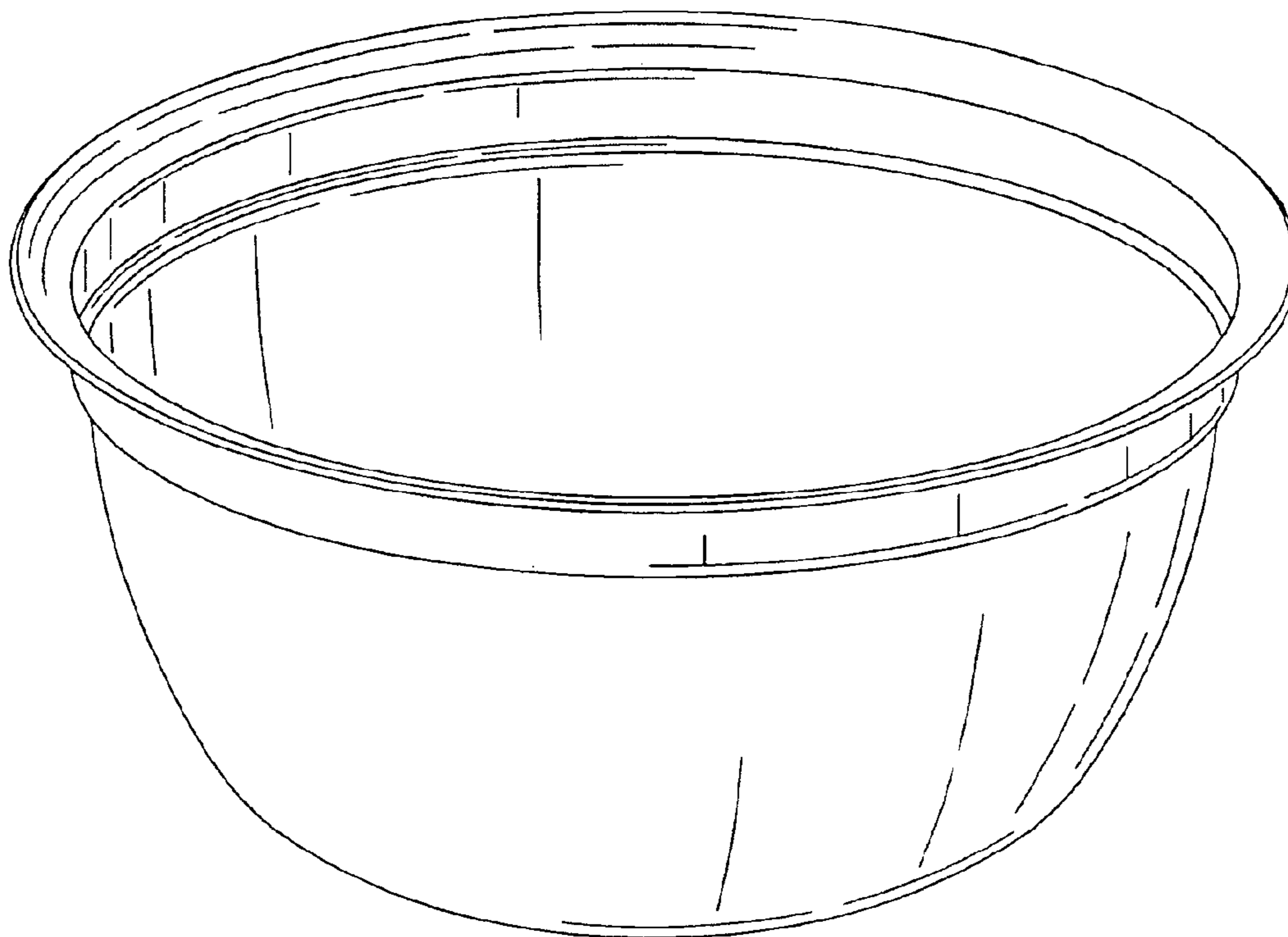
U.S. PATENT DOCUMENTS

D186,038 S * 9/1959 Stageberg D7/586
D244,415 S 5/1977 Daenen
D248,006 S * 5/1978 Christian D7/584
D272,213 S 1/1984 Daenen
D276,114 S 10/1984 Conti et al.
D286,249 S * 10/1986 Carlson D7/587
D288,050 S * 2/1987 Fox et al. D7/545
D338,807 S 8/1993 Conti
D344,210 S 2/1994 Cousins et al.
D345,892 S 4/1994 Heiberg et al.

DESCRIPTION

FIG. 1 is a top, side and front perspective view of a mixing bowl for food showing the new design; FIG. 2 is a front elevation view thereof, the rear, right side and left side elevations are identical thereto; FIG. 3 is a top plan view thereof; and, FIG. 4 is a bottom plan view thereof.

1 Claim, 3 Drawing Sheets



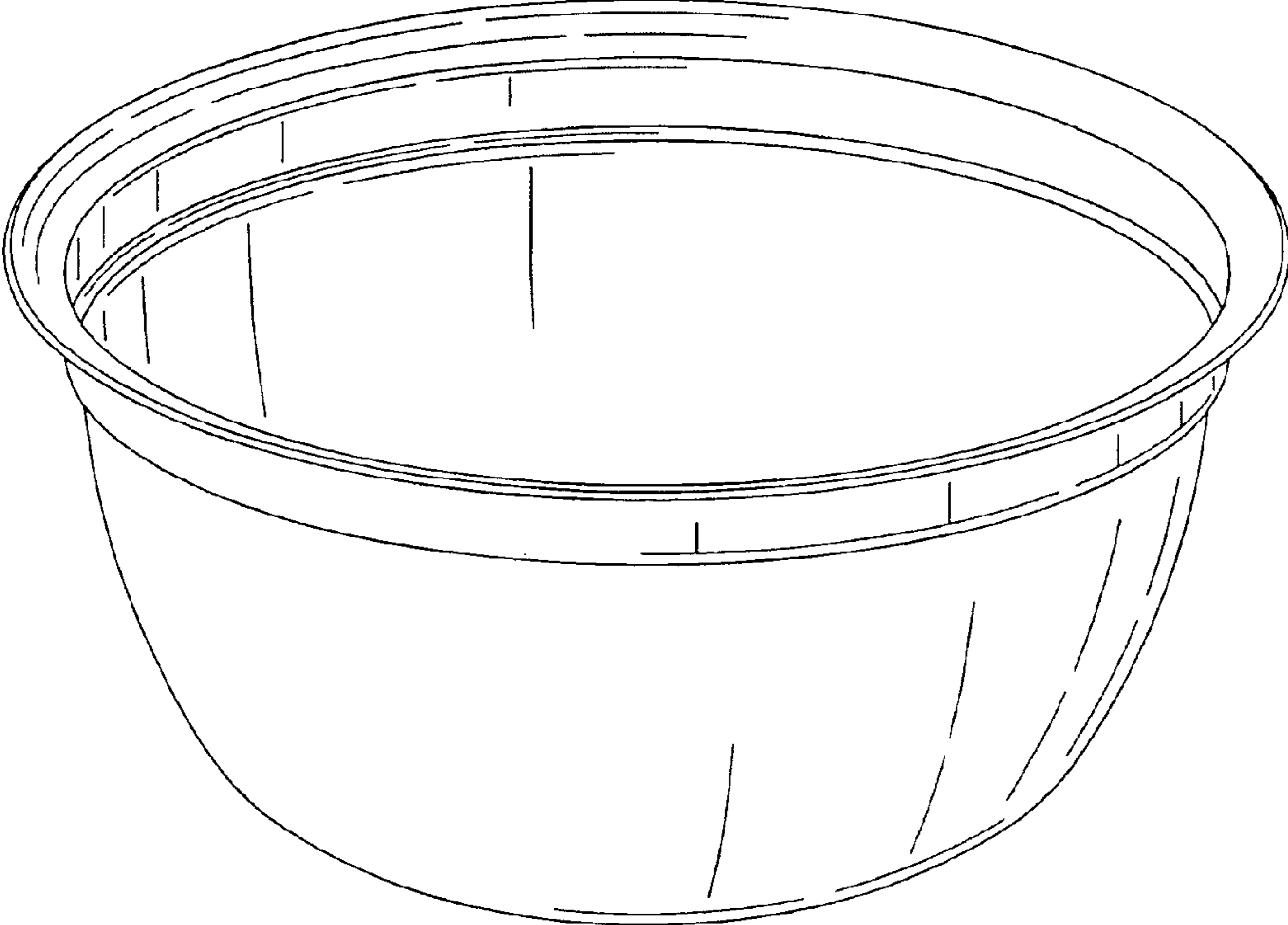


FIG. 1

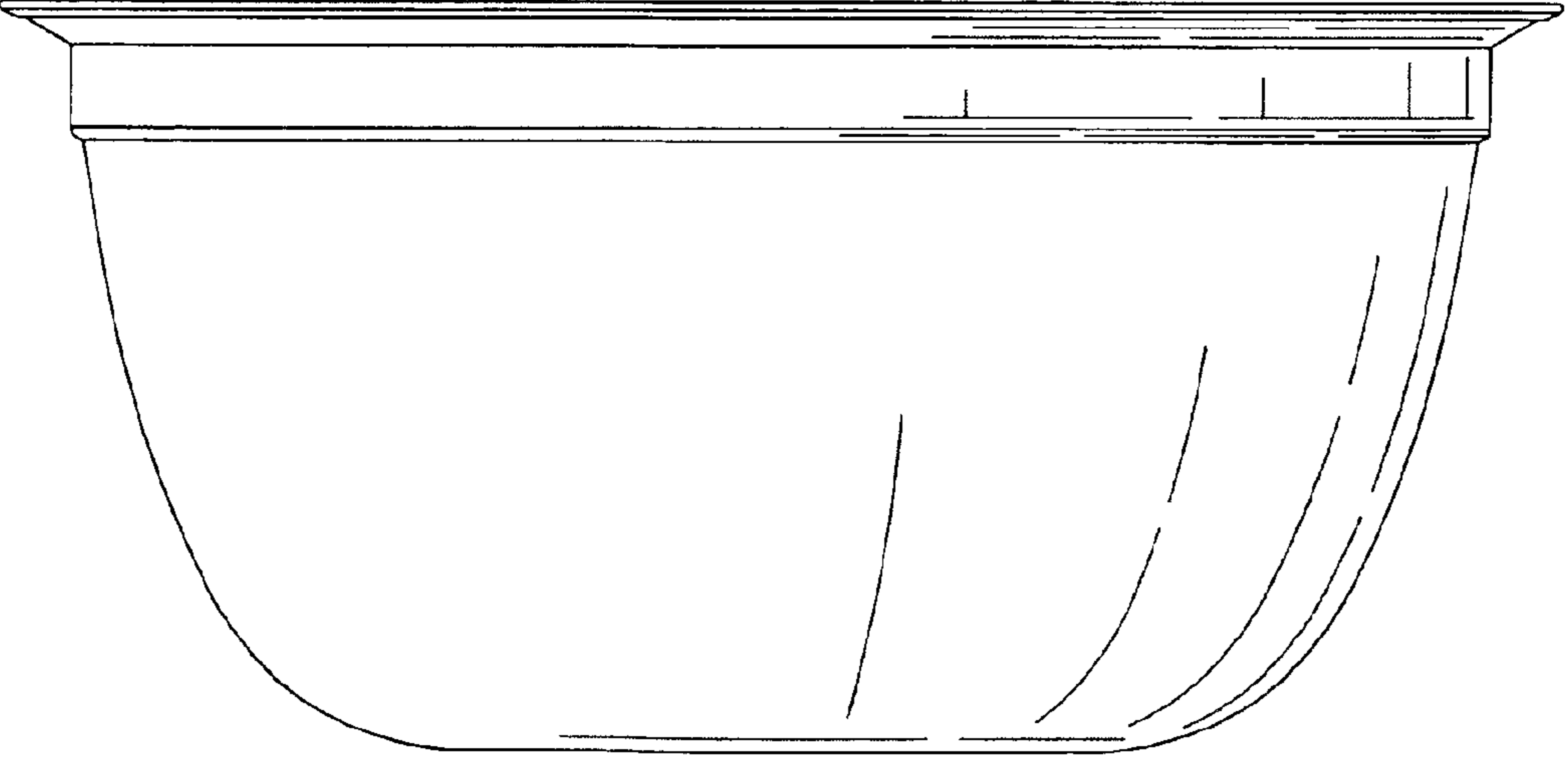


FIG. 2

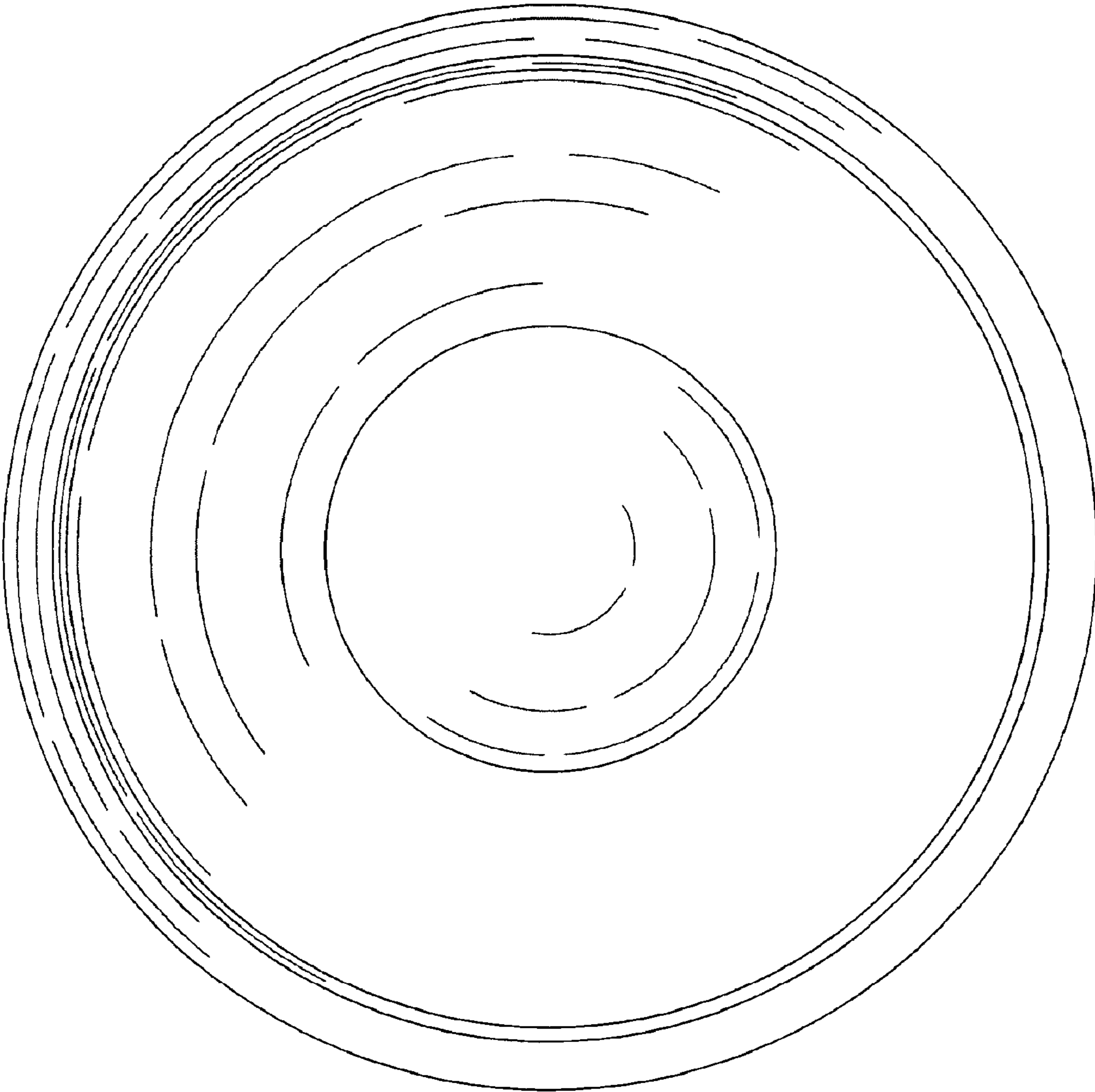


FIG. 3

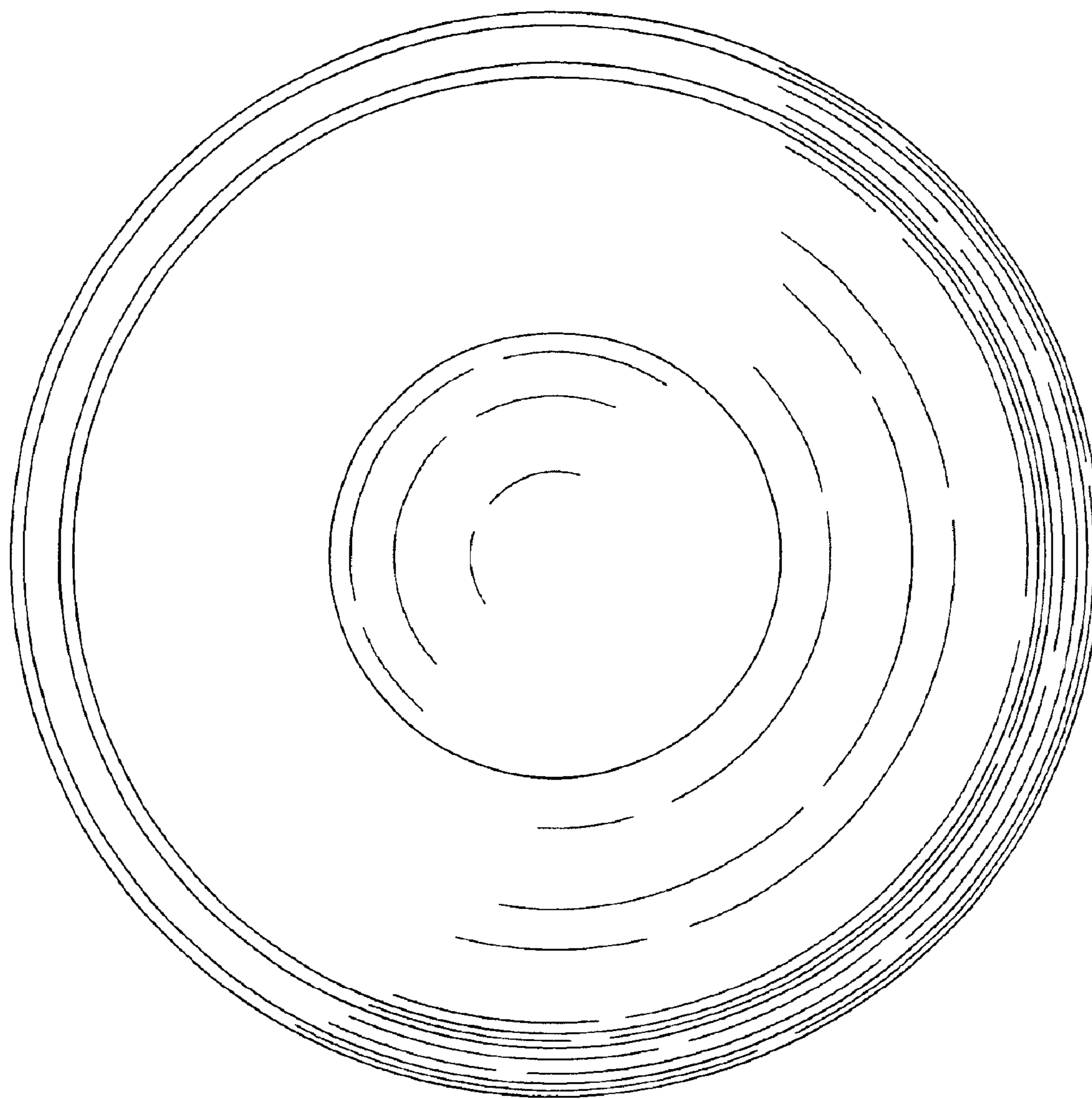


FIG. 4