

US00D509103S

(12) **United States Design Patent** (10) **Patent No.:** **US D509,103 S**
Shin (45) **Date of Patent:** **** Sep. 6, 2005**

- (54) **OVEN RACK**
(75) Inventor: **Inho Andy Shin**, Cleveland, TN (US)
(73) Assignee: **Maytag Corporation**, Newton, IA (US)
(**) Term: **14 Years**
(21) Appl. No.: **29/201,668**
(22) Filed: **Mar. 19, 2004**
(51) **LOC (8) Cl.** **07-02**
(52) **U.S. Cl.** **D7/409**
(58) **Field of Search** D7/323, 388, 402,
D7/407-409; 126/1 R, 24, 25 R, 29, 332,
337 R, 339; 211/134, 153, 181.1; 312/410;
99/426

- D427,487 S * 7/2000 Holbrook D7/409
6,112,916 A 9/2000 Barnes et al. 211/153
6,148,813 A 11/2000 Barnes et al. 126/339
6,205,997 B1 3/2001 Bartley 126/337 R
D442,432 S 5/2001 Bartley D7/409
D444,997 S 7/2001 Bartley D7/409
D445,302 S 7/2001 Bartley D7/409
D448,617 S * 10/2001 Bartley D7/409
D454,470 S * 3/2002 Bartley D7/409
D457,394 S * 5/2002 Bartley D7/409
6,644,302 B1 * 11/2003 Bartley 126/337 R
2004/0094143 A1 * 5/2004 Bartley 126/337 R

* cited by examiner

Primary Examiner—Caron D. Veynar
Assistant Examiner—Vy Nguyen
(74) *Attorney, Agent, or Firm*—Diederiks & Whitelaw,
PLC; Allan P. Orsund

(56) **References Cited**

U.S. PATENT DOCUMENTS

- 1,343,818 A 6/1920 Grammich 211/153
1,350,330 A 8/1920 Partonnar 126/338
1,544,920 A 7/1925 Manley et al. 312/183
1,925,371 A 9/1933 Charter 211/153
2,169,904 A 8/1939 Schweller 374/141
2,205,064 A * 6/1940 Irwin D7/409
2,429,025 A * 10/1947 Kerber et al. 99/426
3,536,000 A * 10/1970 Whitehill D7/409
3,791,371 A 2/1974 Oatley 126/339
3,977,389 A * 8/1976 Ondrasik, II 126/337 R
D251,106 S * 2/1979 Petursson D7/409
D291,646 S * 9/1987 Koziol D7/409
5,272,317 A * 12/1993 Ryu 219/403
D346,531 S * 5/1994 Stephen et al. D7/409
6,030,059 A 2/2000 Stravitz 312/9.47
D426,749 S * 6/2000 Barnes et al. D7/409

(57) **CLAIM**

The ornamental design for an oven rack, as shown and described.

DESCRIPTION

FIG. 1 is a top right perspective view of an oven rack showing my new design;
FIG. 2 is a front elevational view of the oven rack of the invention;
FIG. 3 is a right side elevational view of the oven rack of FIG. 1, with a left side view being a mirror image thereof;
FIG. 4 is a rear elevational view of the oven rack of FIG. 1;
FIG. 5 is top plan view of the oven rack of FIG. 1; and,
FIG. 6 is a bottom plan view of the oven rack of FIG. 1.

1 Claim, 4 Drawing Sheets

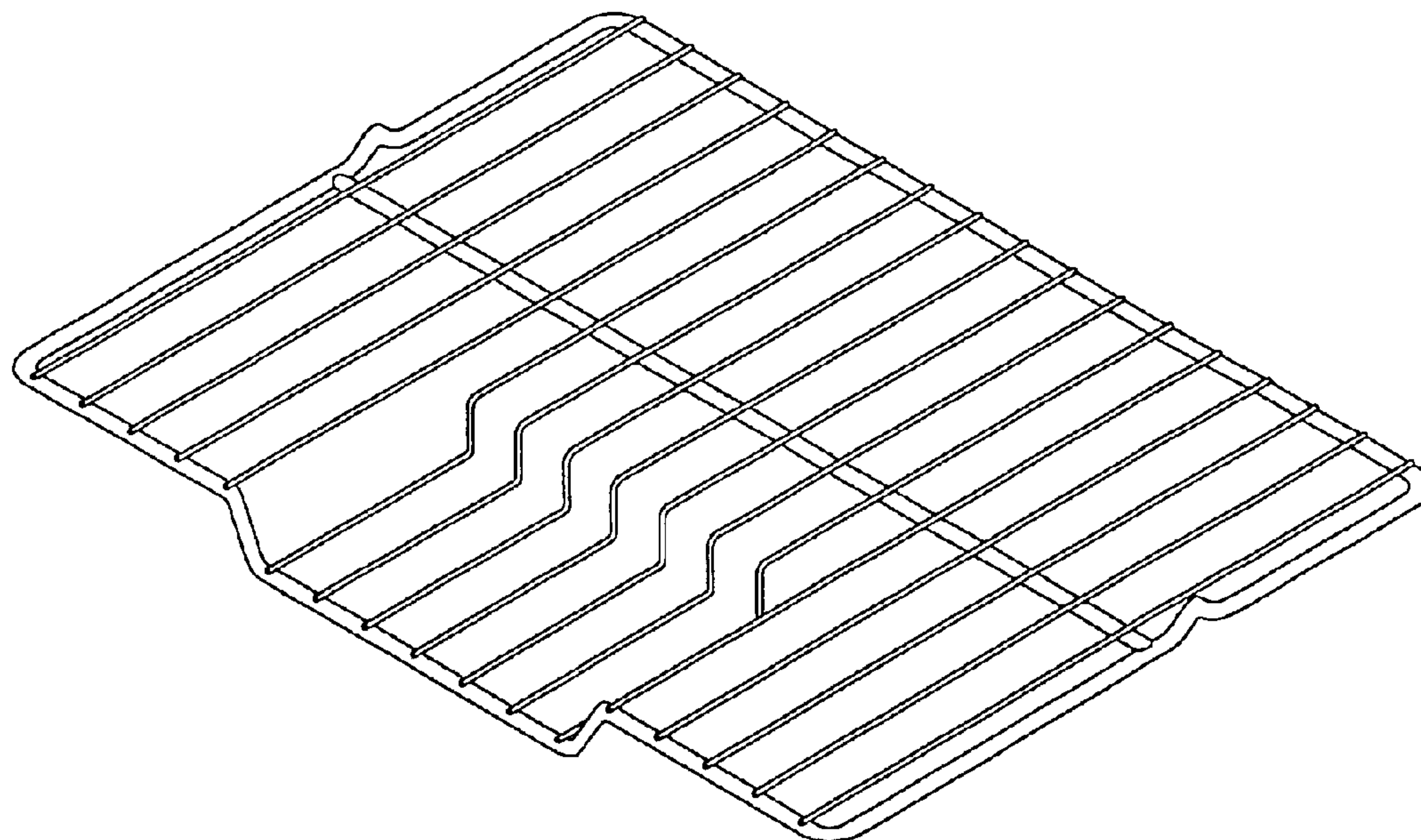


FIG. 1

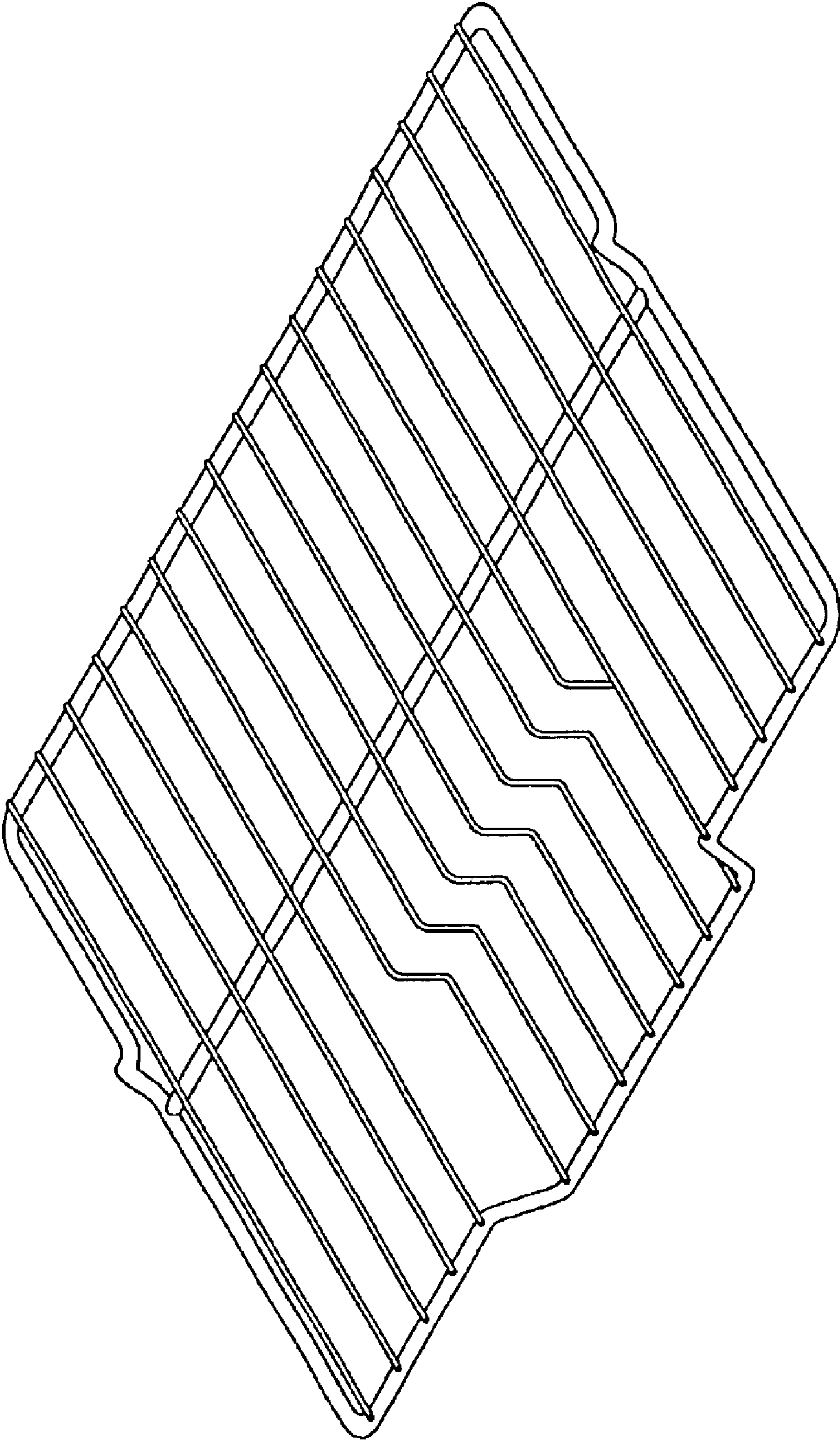


FIG. 2

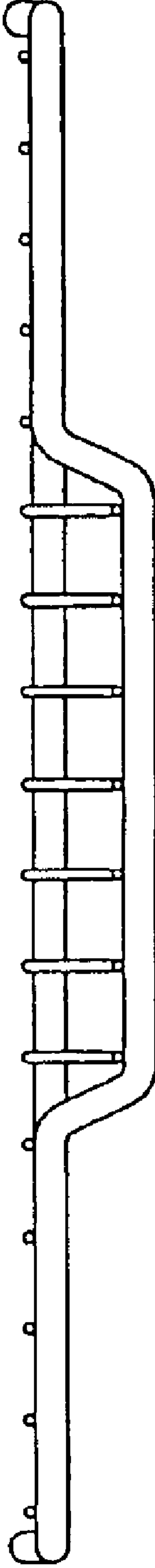


FIG. 3

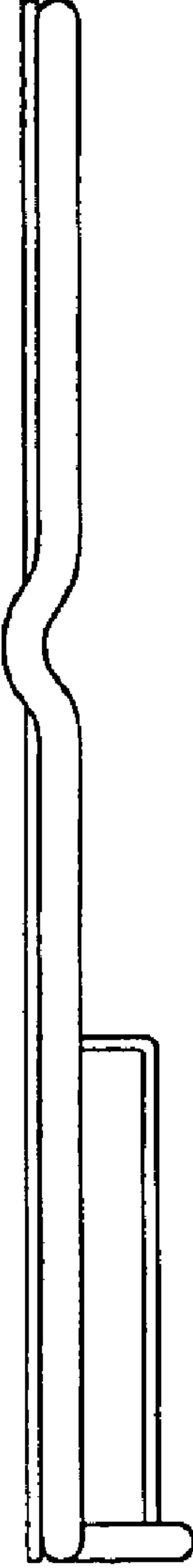


FIG. 4

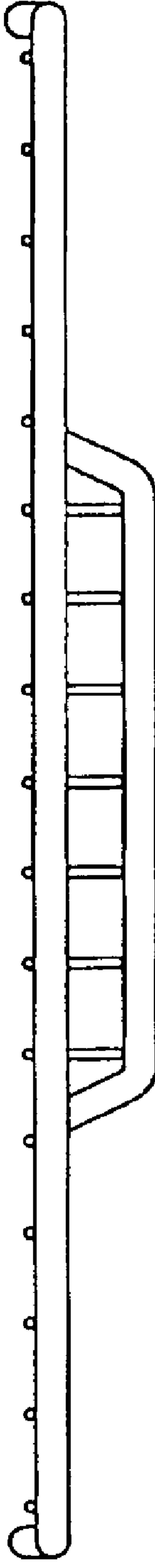


FIG. 5

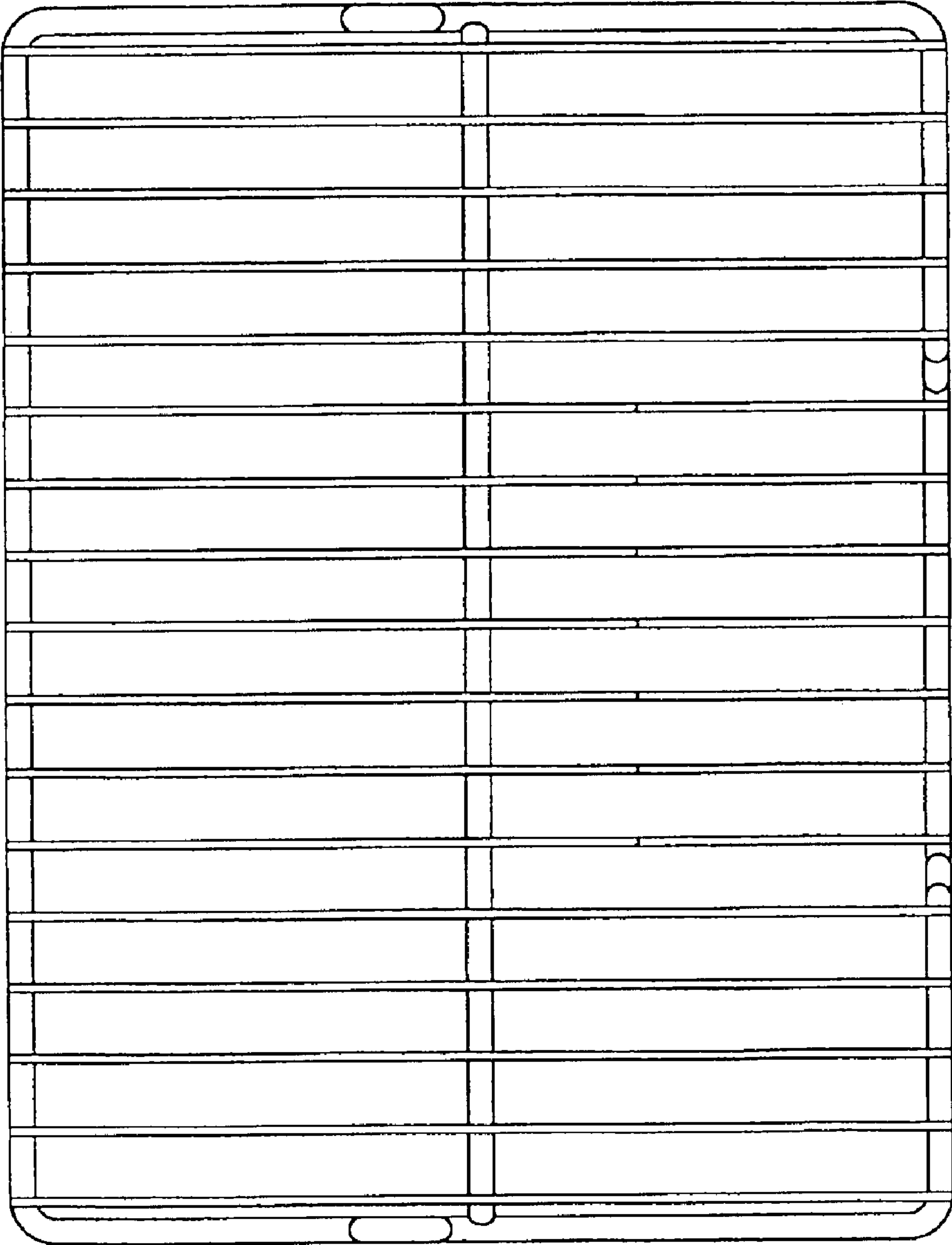


FIG. 6

