

US00D509098S

(12) **United States Design Patent**  
**Steinberg et al.**

(10) **Patent No.:** **US D509,098 S**

(45) **Date of Patent:** **\*\* Sep. 6, 2005**

(54) **WAFFLE MAKER**

(75) Inventors: **Howard Steinberg**, Shelton, CT (US);  
**Amelia Herdrich**, New York, NY (US);  
**Michelle Caporaso**, Monroe, CT (US);  
**Devin Moore**, Decatur, GA (US);  
**Nheeda Enriquez**, Jersey City, NJ  
(US); **Jefferson Haller McCrory**,  
Brooklyn, NY (US)

(73) Assignee: **Conair Corporation**, Stamford, CT  
(US)

(\*\*) Term: **14 Years**

(21) Appl. No.: **29/206,075**

(22) Filed: **May 25, 2004**

(51) **LOC (8) Cl.** ..... **07-02**

(52) **U.S. Cl.** ..... **D7/352**

(58) **Field of Search** ..... D7/323, 328-330,  
D7/352-354, 359, 360, 390, 337; 99/331,  
332, 339, 349, 357, 375, 376, 385; 219/388,  
405, 450.1; D21/525

(56) **References Cited**

**U.S. PATENT DOCUMENTS**

D96,448 S \* 8/1935 Chapman ..... D7/352  
D122,260 S \* 9/1940 Dickey ..... D7/352

D124,305 S \* 12/1940 Christenson, Jr. et al. ... D7/352  
D127,906 S \* 6/1941 Faunce ..... D7/352  
D413,759 S \* 9/1999 Carrere ..... D7/352  
D427,480 S \* 7/2000 Brady ..... D7/352

\* cited by examiner

*Primary Examiner*—Caron D. Veynar  
(74) *Attorney, Agent, or Firm*—Ohlandt, Greeley, Ruggiero  
& Perle, L.L.P.

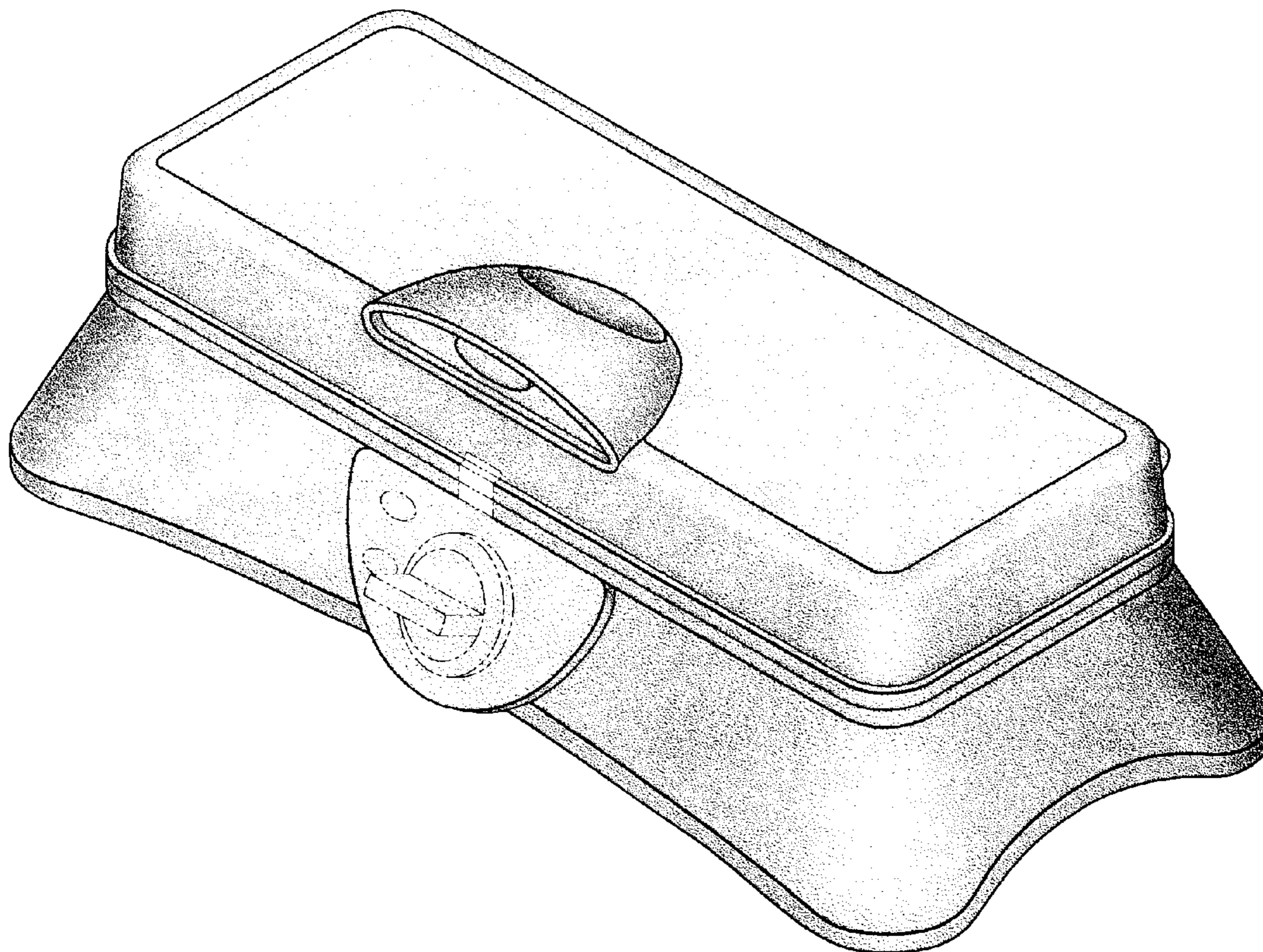
(57) **CLAIM**

The ornamental design for a waffle maker, as shown and described.

**DESCRIPTION**

FIG. 1 is a top right perspective view of a waffle maker according to the present invention;  
FIG. 2 is a front elevation view of the waffle maker of FIG. 1;  
FIG. 3 is a rear elevation view of the waffle maker of FIG. 2;  
FIG. 4 is a left side elevation view of the waffle maker of FIG. 1; and,  
FIG. 5 is a top plan view of the waffle maker of FIG. 1.  
The portions of the waffle maker shown in broken lines are for illustration purposes only and form no part of the claimed design.

**1 Claim, 5 Drawing Sheets**



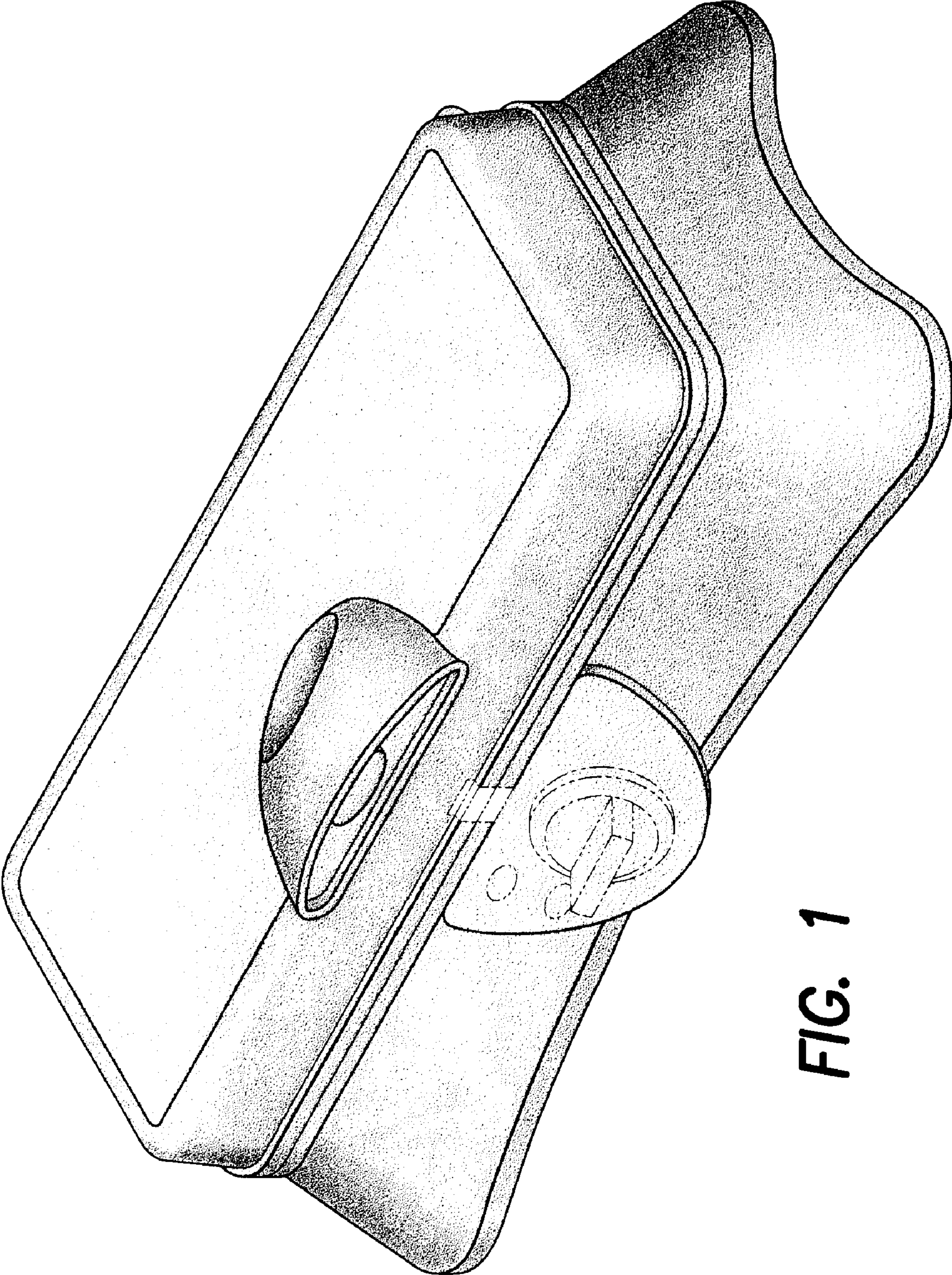


FIG. 1

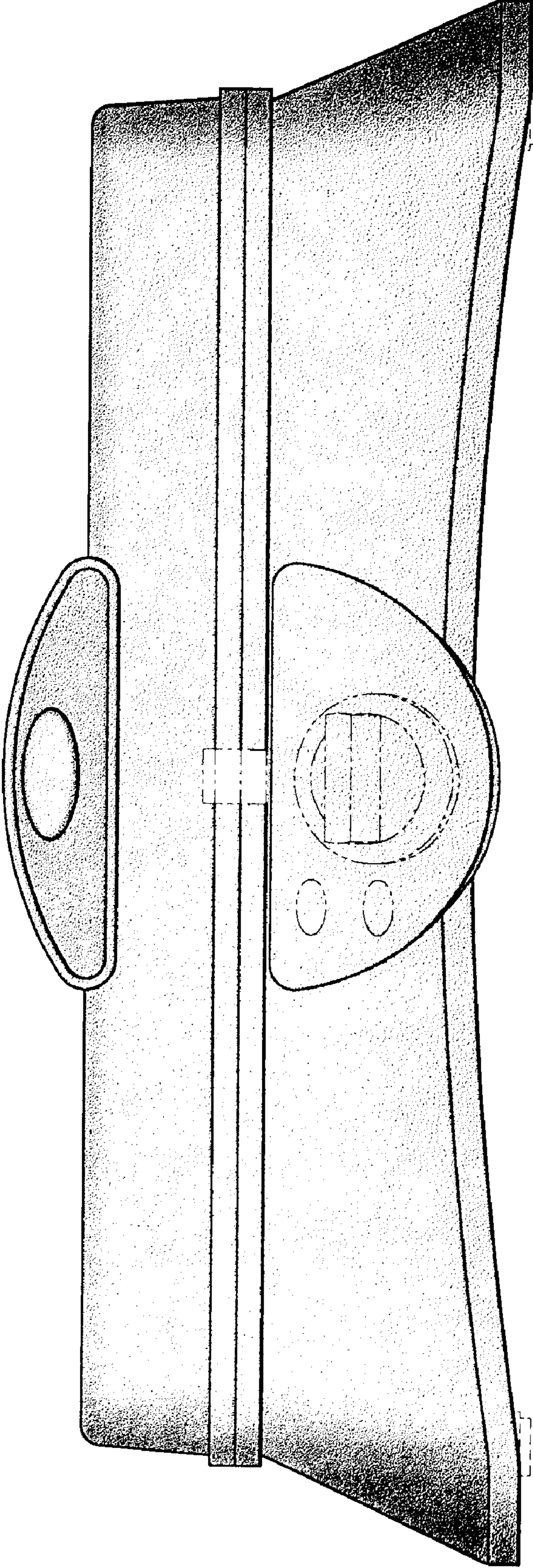
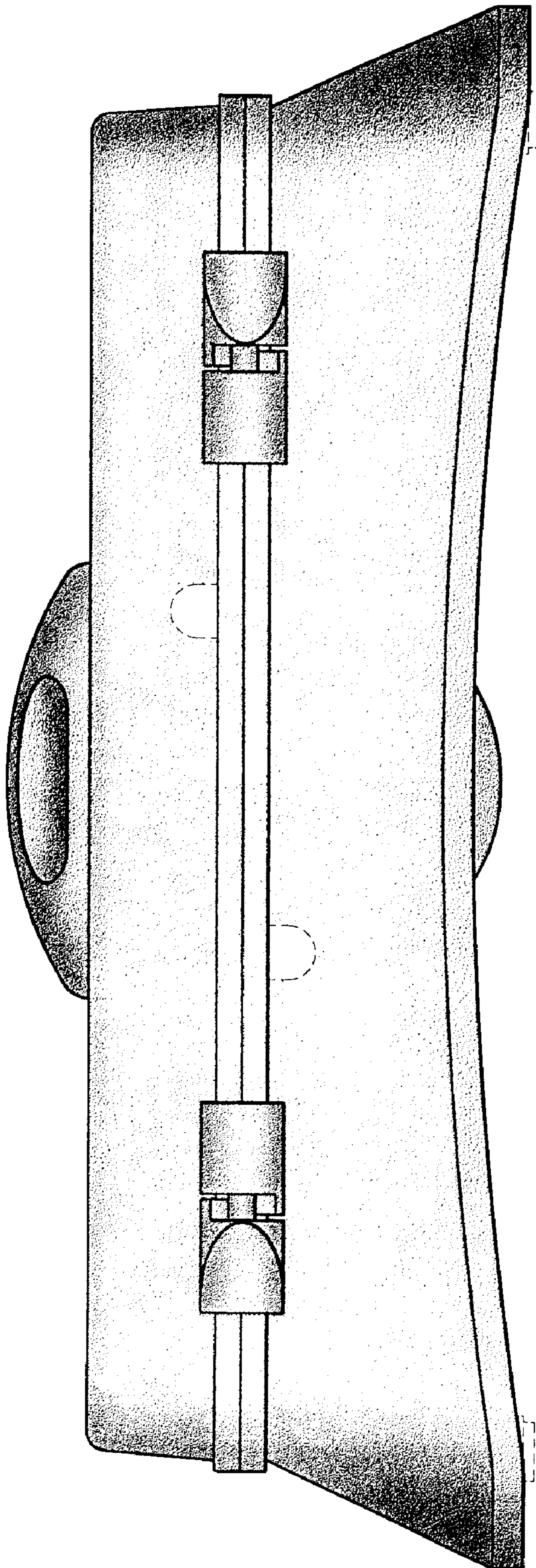
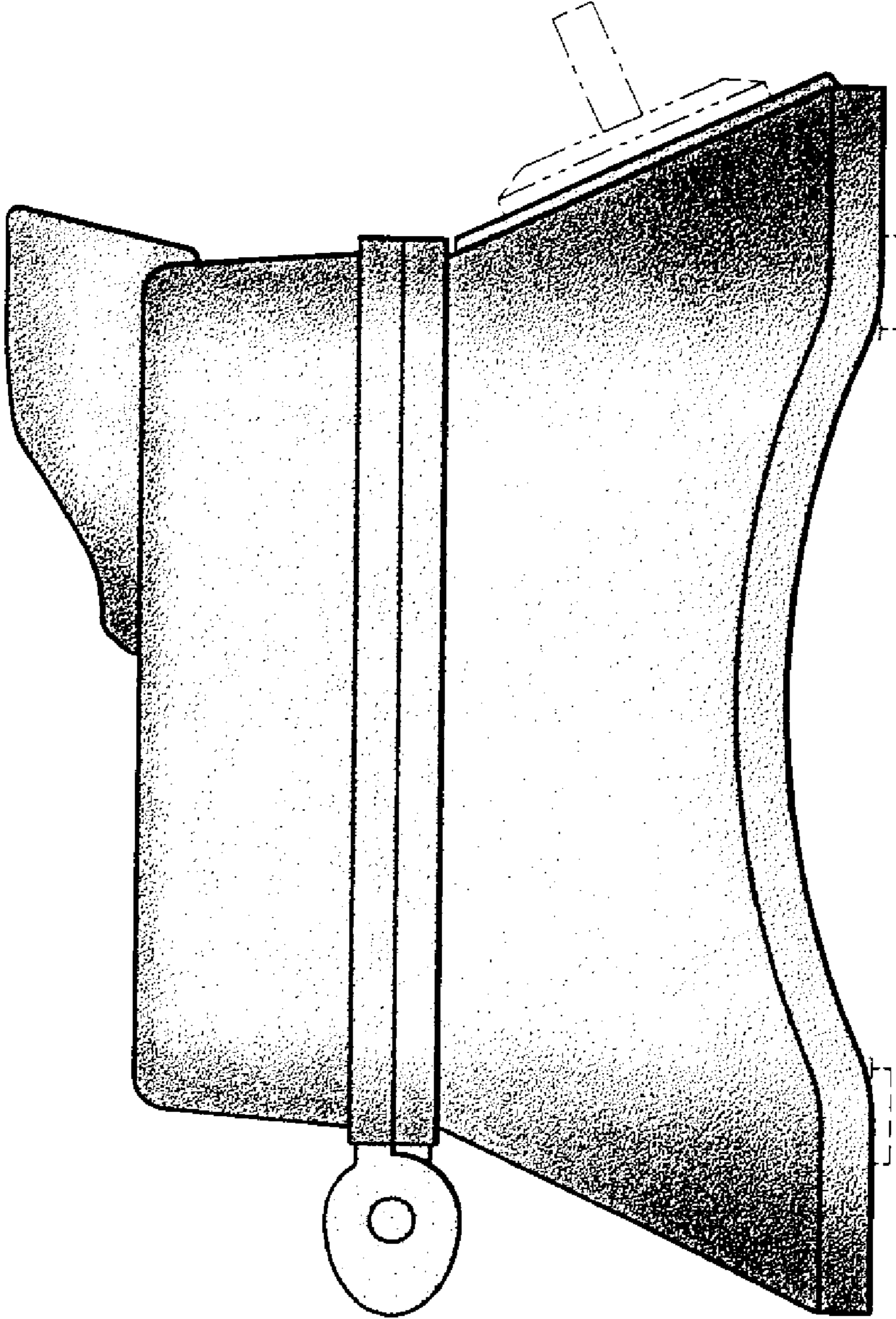


FIG. 2



**FIG. 3**



**FIG. 4**

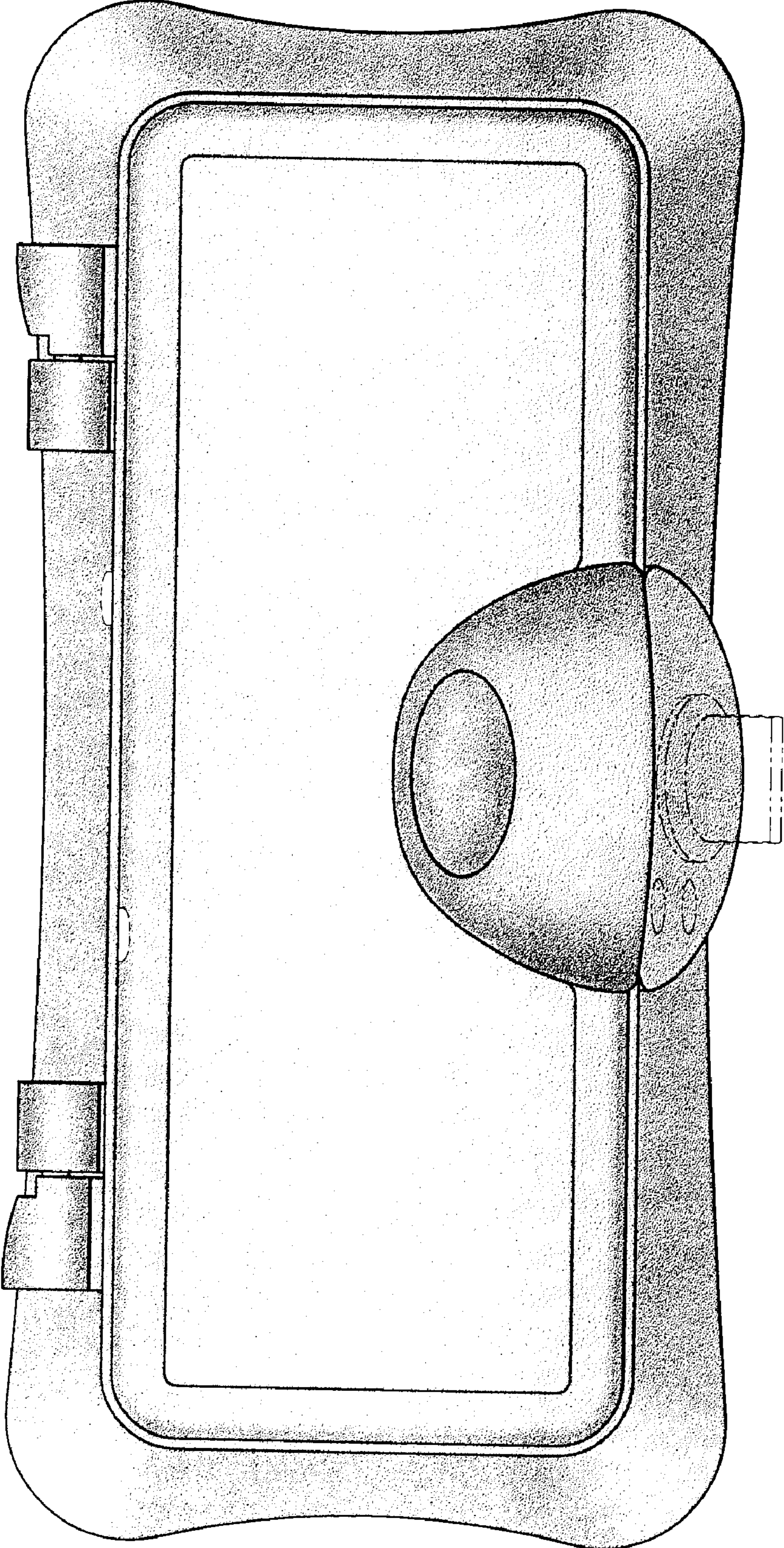


FIG. 5