



US00D509095S

(12) **United States Design Patent**
Grützke et al.

(10) **Patent No.:** **US D509,095 S**

(45) **Date of Patent:** **** Sep. 6, 2005**

(54) **ELECTRIC COOKTOP**

D384,239 S * 9/1997 Wilsdorf D7/346
D462,866 S * 9/2002 Resuello et al. D7/346
D464,845 S * 10/2002 Shin D7/346

(75) Inventors: **Joachim Grützke**, New Bern, NC
(US); **Thomas Knöller**, Karlsruhe (DE)

* cited by examiner

(73) Assignee: **BSH Bosch und Siemens Hausgeräte GmbH**, Munich (DE)

Primary Examiner—Catherine R. Oliver
(74) *Attorney, Agent, or Firm*—John T. Winburn; Russell W. Warnock; Craig J. Loest

(**) Term: **14 Years**

(57) **CLAIM**

(21) Appl. No.: **29/211,411**

The ornamental design for an electric cooktop, as shown and described.

(22) Filed: **Aug. 16, 2004**

(30) **Foreign Application Priority Data**

DESCRIPTION

Feb. 16, 2004 (EP) 142369-0001-00

FIG. 1 is a perspective view of an electric cooktop showing our ornamental design;

(51) **LOC (8) Cl.** **07-02**

FIG. 2 is a front side view of the electric cooktop shown in FIG. 1;

(52) **U.S. Cl.** **D7/346**

(58) **Field of Search** D7/339-341, 346-348;
126/39 R, 39 J, 39 B, 211, 215-218, 214 C,
214 R, 152 R; 219/443.1, 450.1, 452.11,
452.12, 472, 478, 468.1

FIG. 3 is a top plan view of the electric cooktop shown in FIG. 1; and

FIG. 4 is a right side view of the electric cooktop shown in FIG. 1; and,

(56) **References Cited**

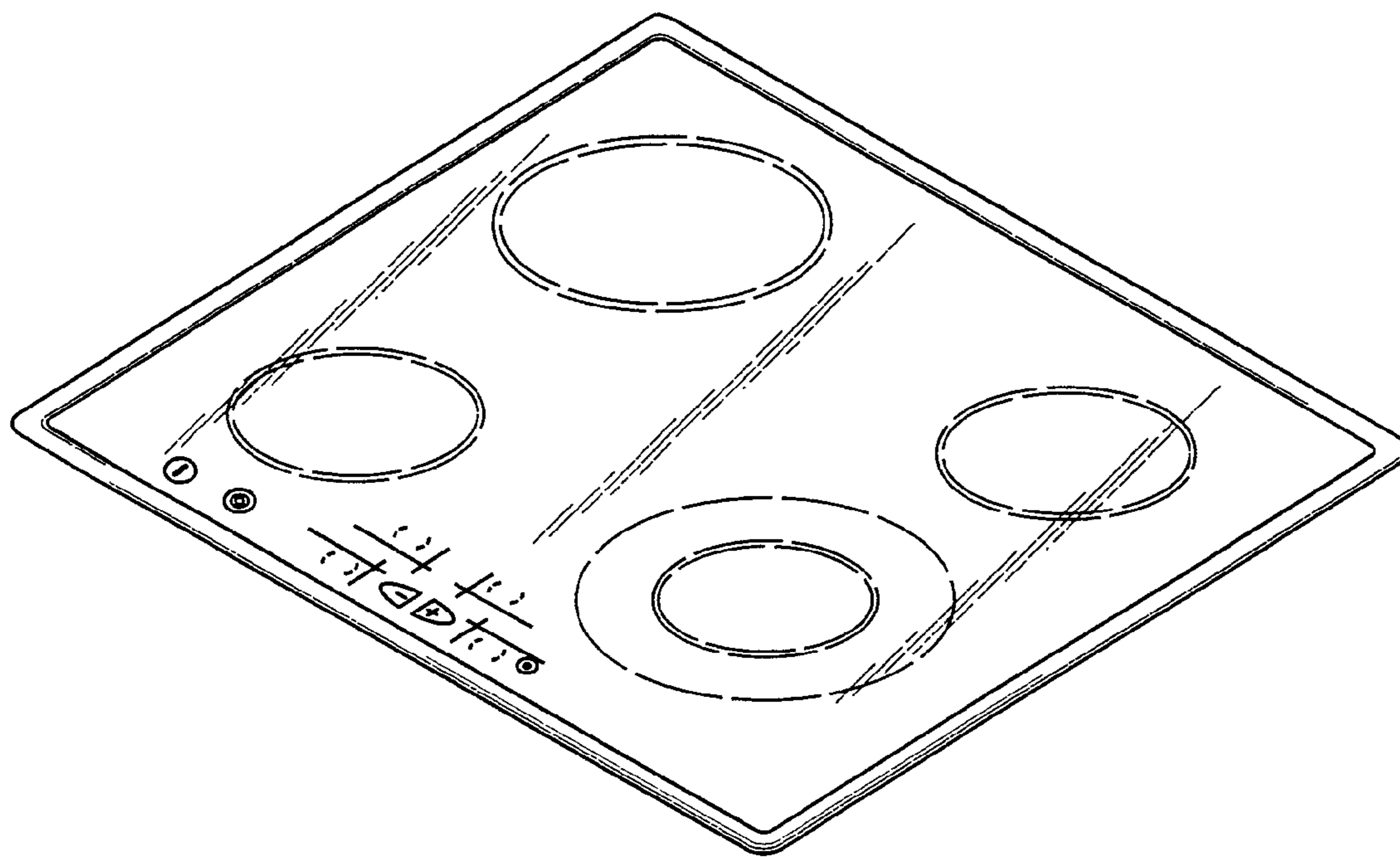
FIG. 5 is a left side view of the electric cooktop shown in FIG. 1.

U.S. PATENT DOCUMENTS

The broken line showing of environment in the drawings is for illustrative purposes only and forms no part of the claimed design.

D230,390 S * 2/1974 Tyke et al. D7/346
D277,448 S * 2/1985 Vetter et al. D7/346
D277,449 S * 2/1985 Vetter et al. D7/346
5,400,765 A * 3/1995 Goldstein et al. 126/39 J

1 Claim, 2 Drawing Sheets



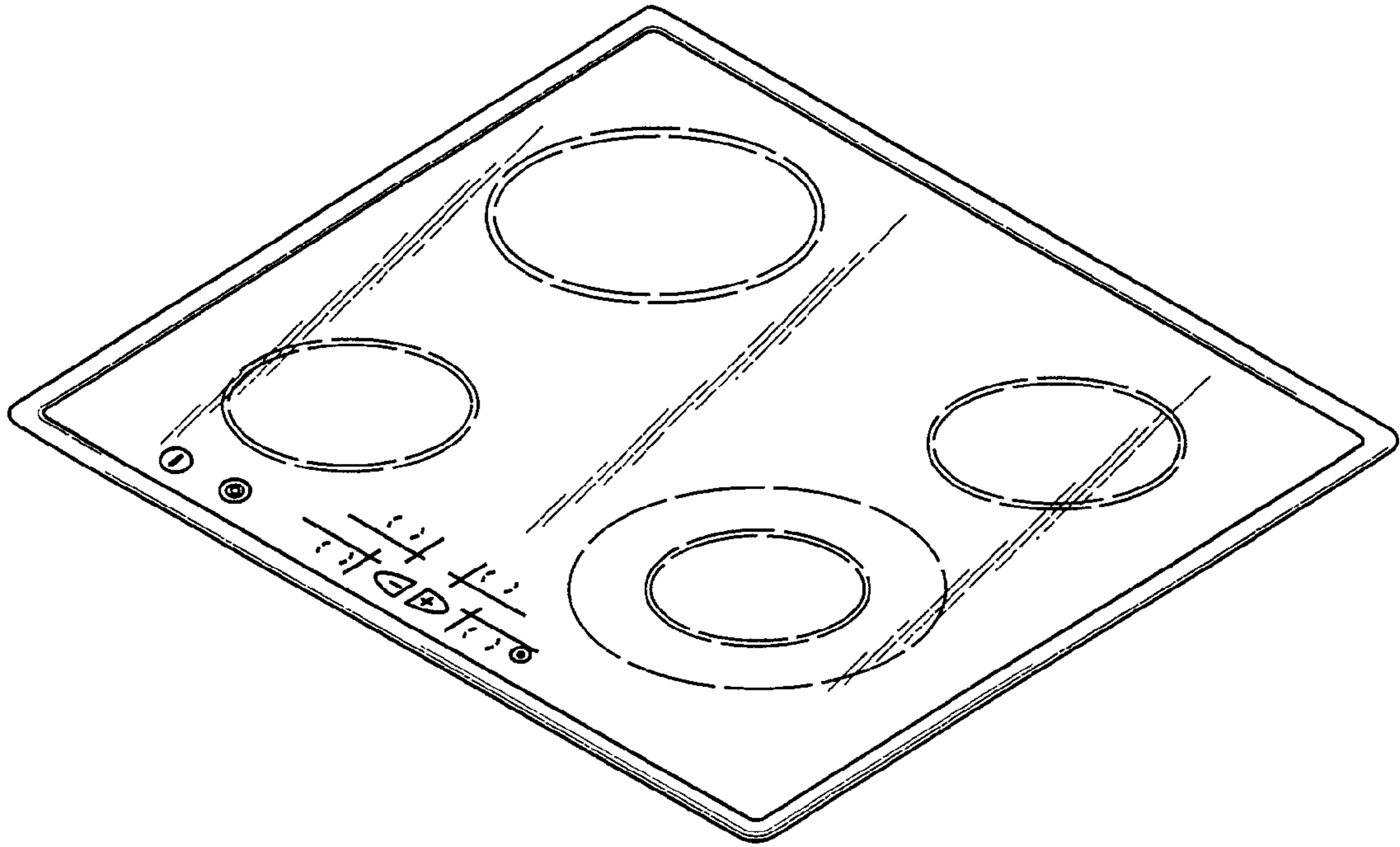


FIG. 1

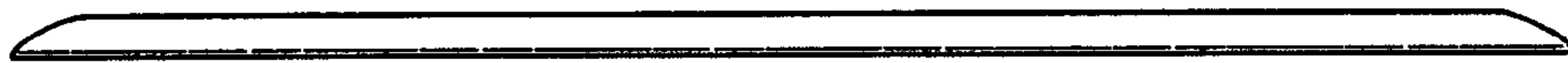


FIG. 2

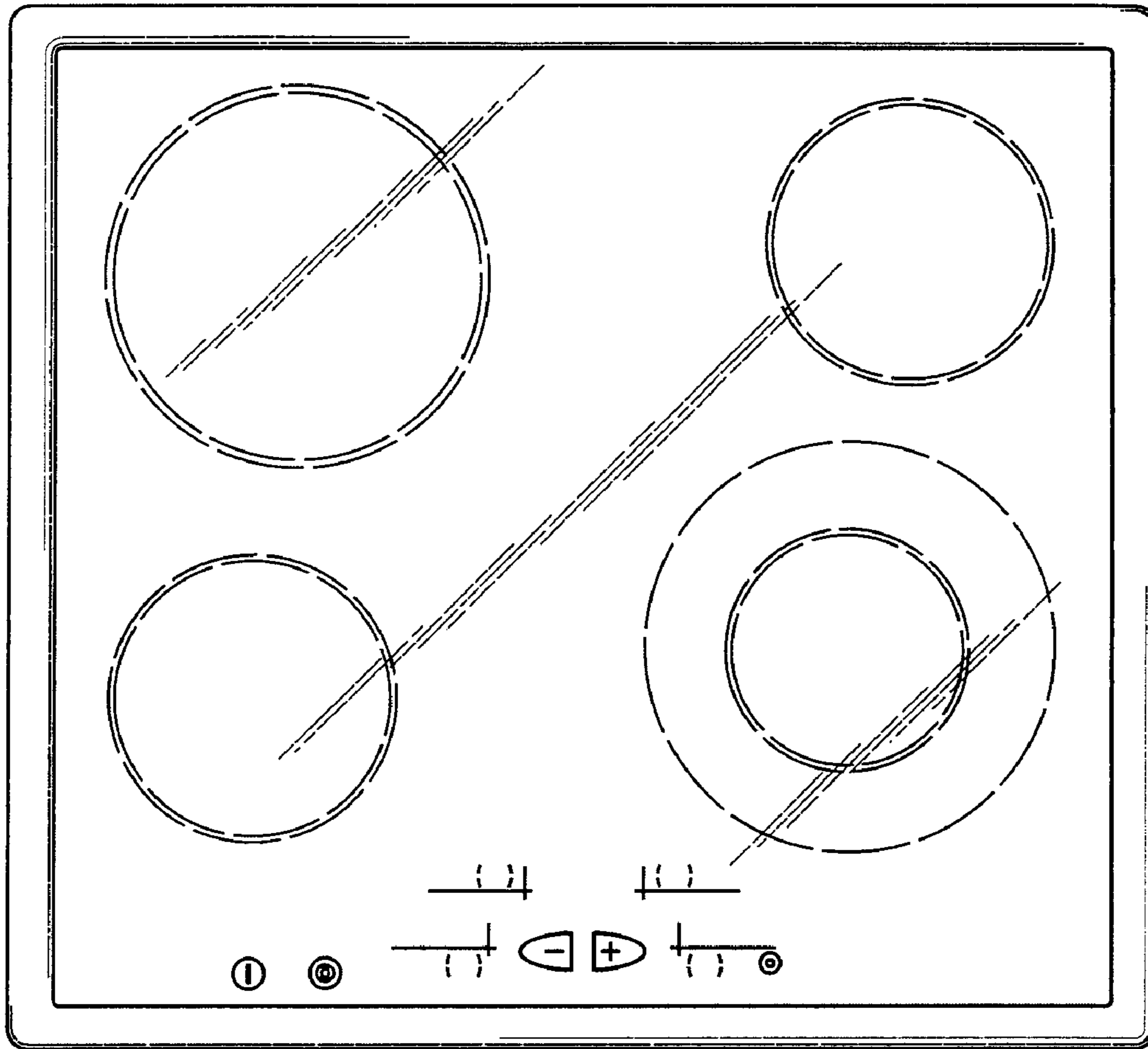


FIG. 3



FIG. 4

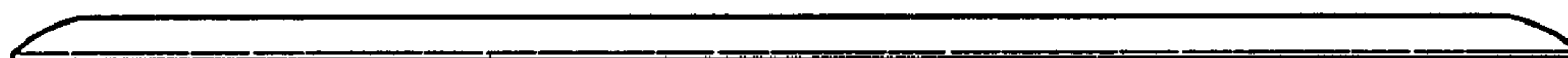


FIG. 5