

US00D509092S

(12) **United States Design Patent**
Allsopp

(10) **Patent No.:** **US D509,092 S**
(45) **Date of Patent:** **** Sep. 6, 2005**

(54) **SPROCKET SUPPORT FOR A BLIND**

FOREIGN PATENT DOCUMENTS

(75) **Inventor:** **Reginald Charles Allsopp**, Cheshire (GB)

(73) **Assignee:** **Louver Lite Limited**, Hyde (GB)

(**) **Term:** **14 Years**

(21) **Appl. No.:** **29/190,026**

(22) **Filed:** **Sep. 12, 2003**

(30) **Foreign Application Priority Data**

Aug. 27, 2003 (EM) 71055

(51) **LOC (8) Cl.** **06-10**

(52) **U.S. Cl.** **D6/580**

(58) **Field of Search** D6/580; 160/126,
160/177 R, 323.1, 307, 321

(56) **References Cited**

U.S. PATENT DOCUMENTS

- 4,865,109 A 9/1989 Sherman
- 5,009,259 A * 4/1991 Miloslaus 160/323.1
- 5,361,822 A 11/1994 Nijs
- 5,375,643 A 12/1994 Rude
- 5,482,105 A * 1/1996 Rude 160/307
- 5,507,374 A * 4/1996 Rude 192/223.4
- 5,669,432 A * 9/1997 Nisenson et al. 160/307
- 6,164,428 A * 12/2000 Berman et al. 192/223.4
- 6,173,825 B1 1/2001 Lui
- 2003/0085003 A1 5/2003 Cheng

DE	200 22 527	11/2001
EP	0 481 688	10/1991
EP	0 717 166	6/1996
EP	0 869 254	10/1998
EP	0 940 553	9/1999
EP	0 972 906	1/2000
EP	0 976 909	2/2000
FR	2 800 121	4/2001
GB	2 181 475	4/1987
GB	2 313 143	5/1997
GB	D 2104201	10/2001
GB	D 2106405	1/2002
GB	D 3006555	9/2002
JP	09 310 570	12/1997
WO	94/15057	7/1994
WO	96/05400	2/1996

* cited by examiner

Primary Examiner—Holly Baynham

(74) *Attorney, Agent, or Firm*—Haugen Law Firm PLLP

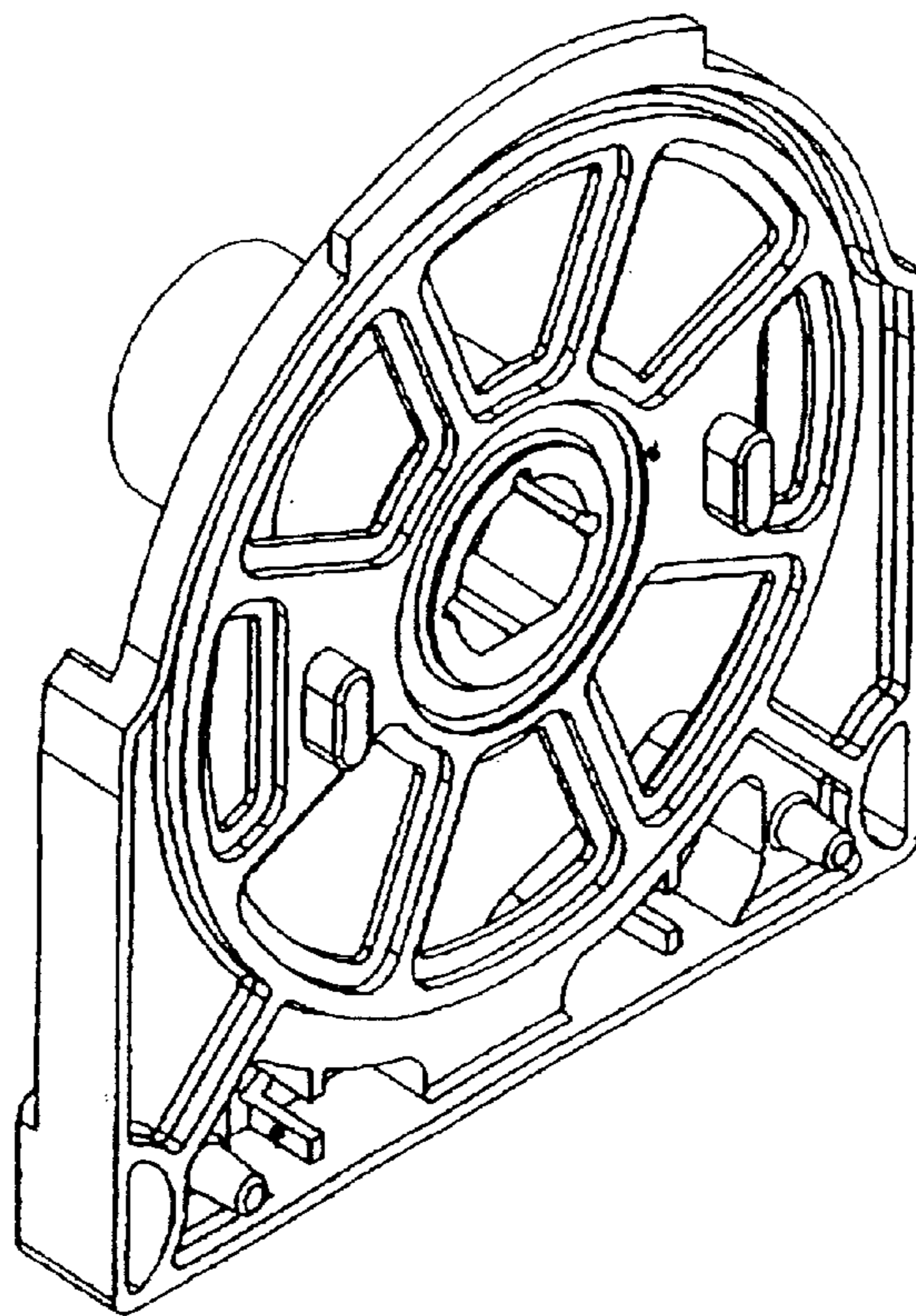
(57) **CLAIM**

The ornamental design for a sprocket support for a blind, as shown and described.

DESCRIPTION

FIG. 1 is a perspective view in front, above, and one side of the sprocket support for a blind of the present design; and, FIG. 2 is a perspective view from behind, below, and the other side from FIG. 1 of the present design.

1 Claim, 1 Drawing Sheet



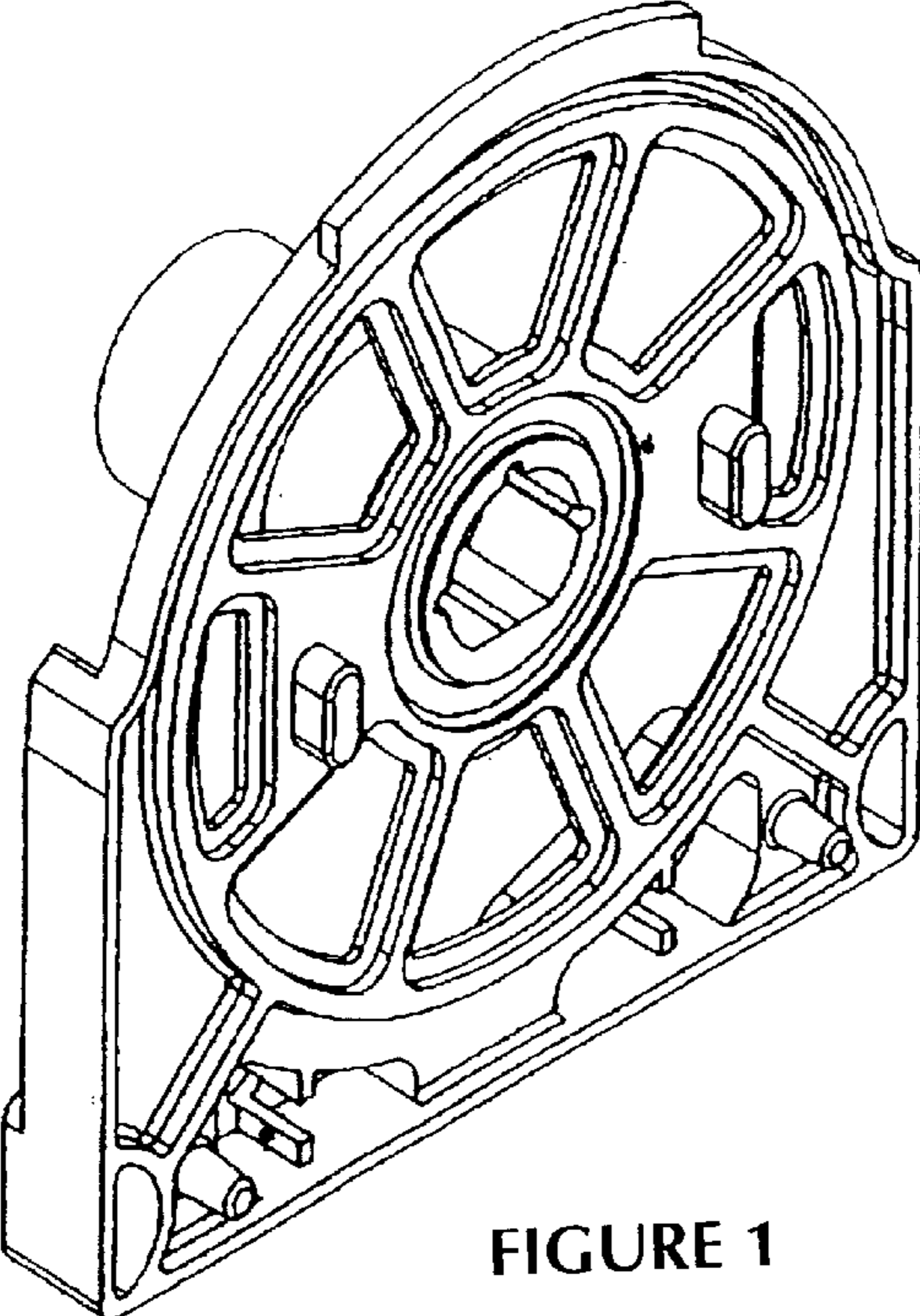


FIGURE 1

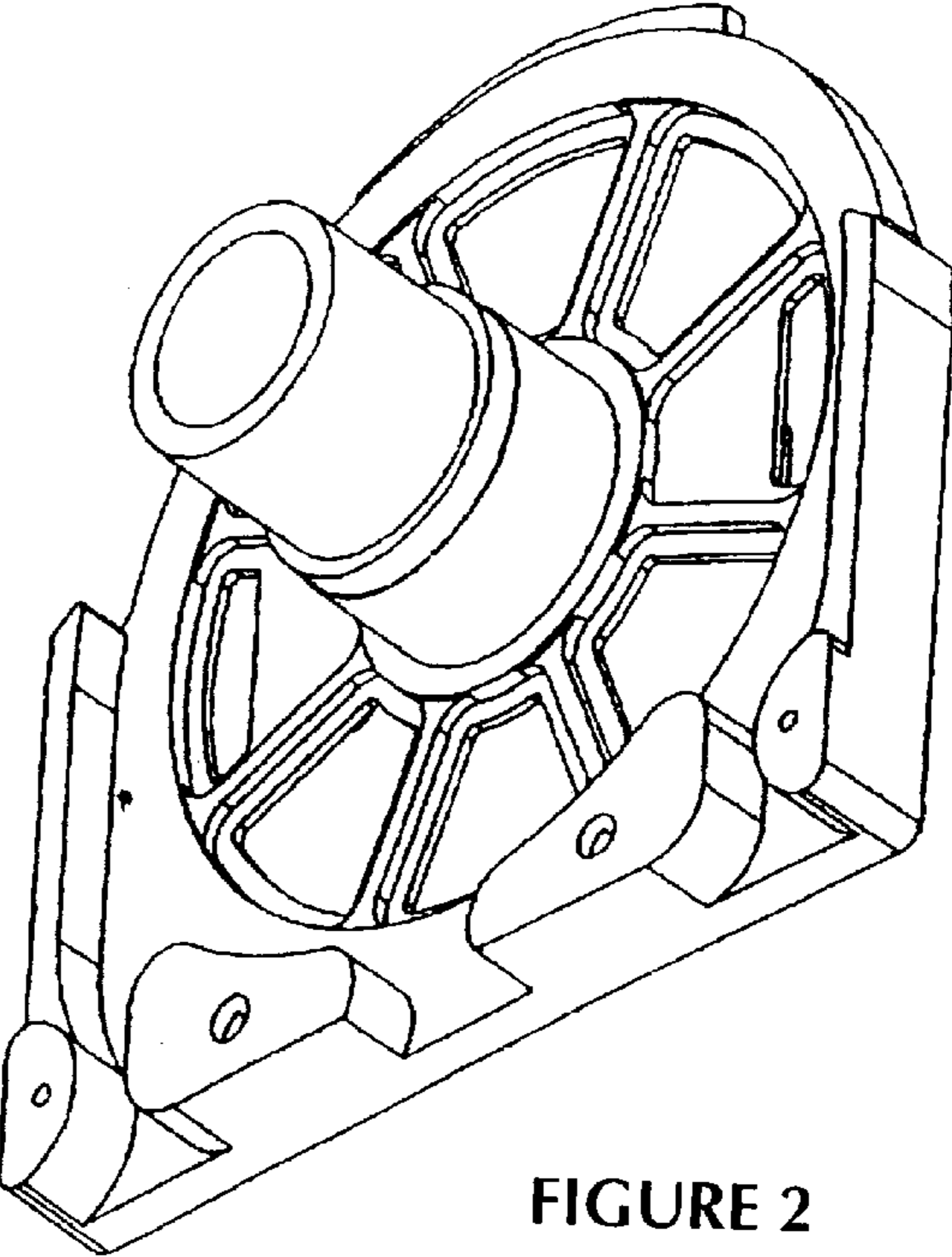


FIGURE 2