

US00D509088S

(12) **United States Design Patent**
Hoernig

(10) **Patent No.:** **US D509,088 S**

(45) **Date of Patent:** **** Sep. 6, 2005**

(54) **SHELF**

(75) **Inventor:** **Victor Hoernig**, Lowell, IN (US)

(73) **Assignee:** **Brasstech, Inc.**, Santa Ana, CA (US)

(**) **Term:** **14 Years**

(21) **Appl. No.:** **29/191,013**

(22) **Filed:** **Sep. 30, 2003**

(51) **LOC (8) Cl.** **06-04**

(52) **U.S. Cl.** **D6/574**

(58) **Field of Search** D6/553, 567, 572,
D6/574; 108/28-29; 248/235, 309.1; 211/13.1,
42, 70.01, 86.01, 88.01, 88.03, 90.01, 126.1,
134, 133.5, 153, 182

(56) **References Cited**

U.S. PATENT DOCUMENTS

4,898,355 A * 2/1990 Steinway 248/235
D476,840 S * 7/2003 Hoernig D6/574

D477,489 S * 7/2003 Hoernig D6/574
D477,490 S * 7/2003 Hoernig D6/574
D492,872 S * 7/2004 Graves et al. D6/574

* cited by examiner

Primary Examiner—Brian N Vinson

(74) *Attorney, Agent, or Firm*—Kwadjo Adusei-Poku;
Lloyd D. Doigan

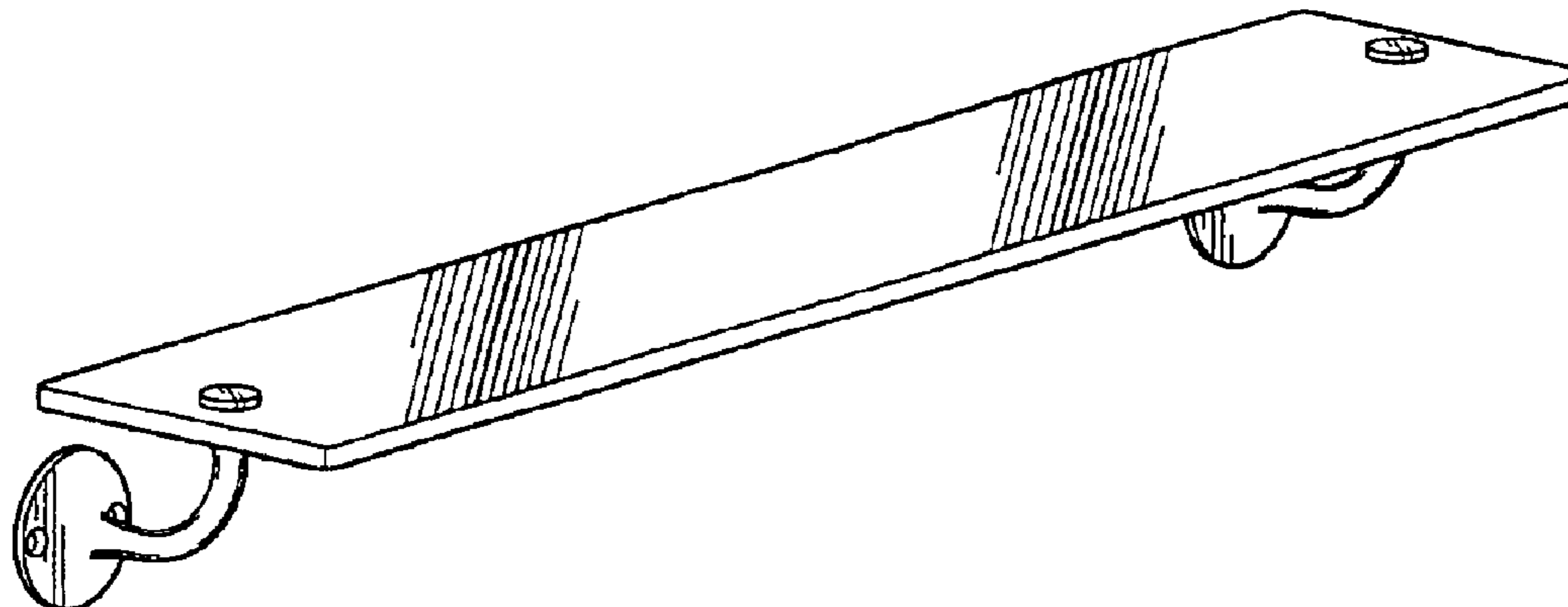
(57) **CLAIM**

The ornamental design for a shelf, as shown and described.

DESCRIPTION

FIG. 1 is a perspective view of a shelf showing my new design;
FIG. 2 is an end view thereof, the opposite end being a mirror image of the end shown;
FIG. 3 is a top plan view thereof;
FIG. 4 is a bottom view thereof;
FIG. 5 is a front elevational view thereof; and,
FIG. 6 is a rear view thereof.

1 Claim, 2 Drawing Sheets



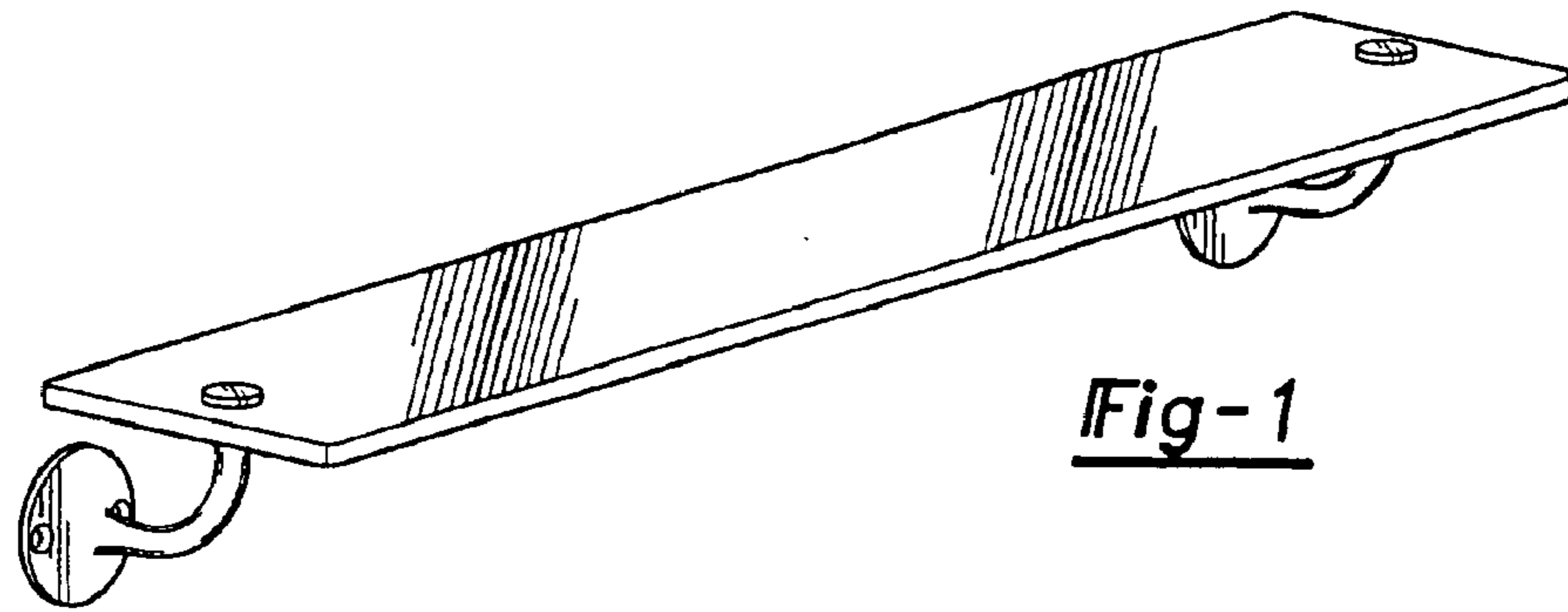


Fig-1

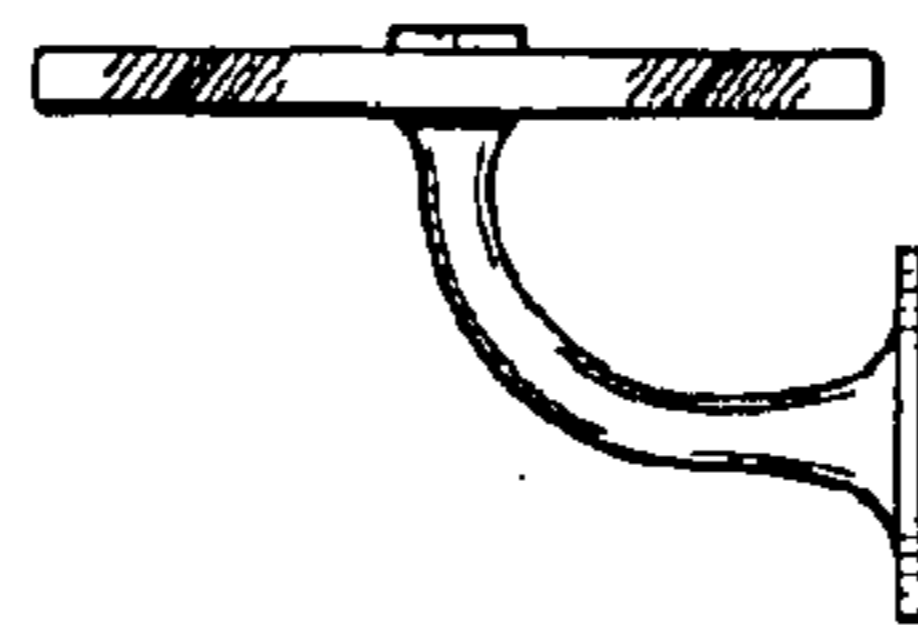


Fig-2

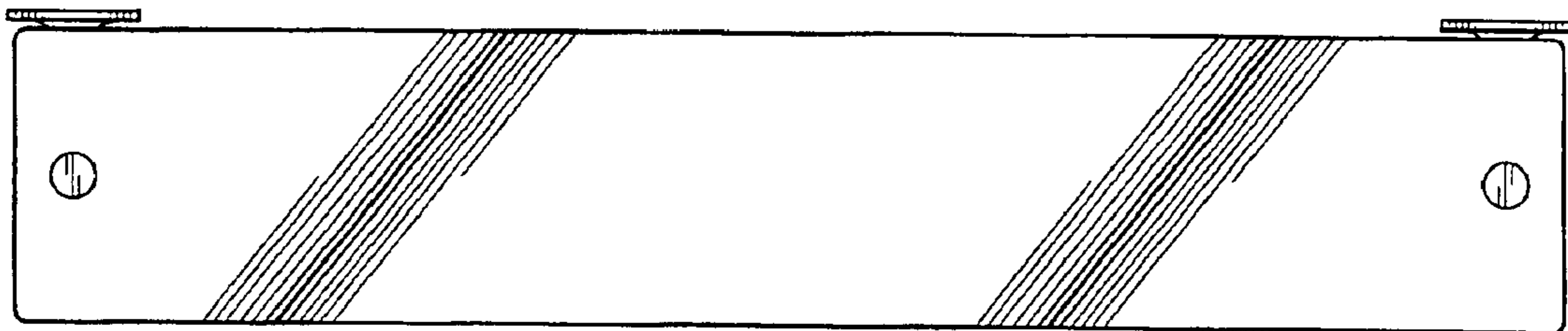


Fig-3

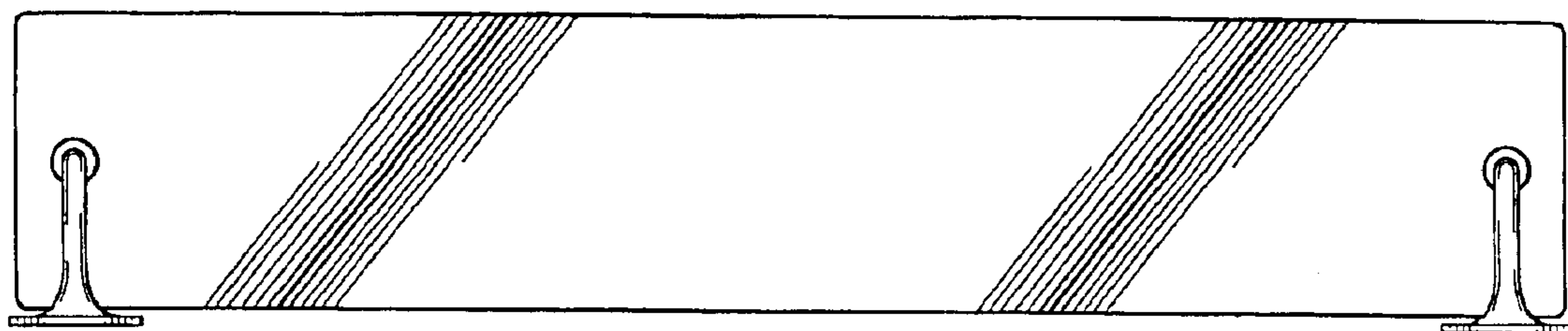


Fig-4

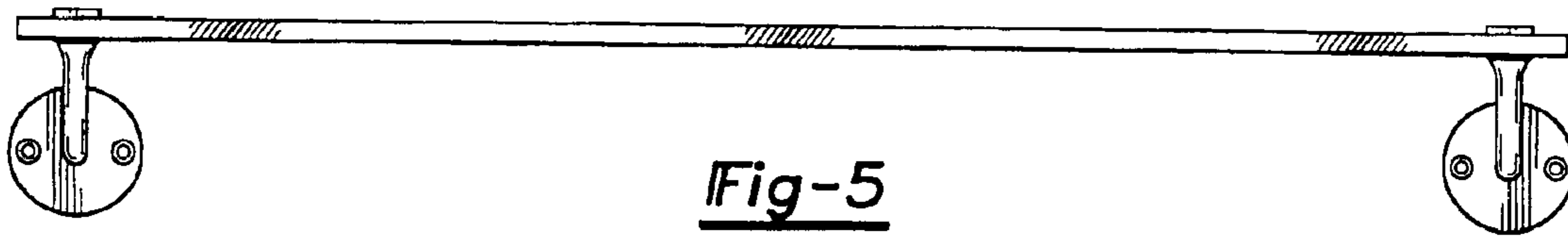


Fig-5



Fig-6