

US00D509084S

(12) **United States Design Patent** (10) **Patent No.:** **US D509,084 S**  
**Barile, Jr.** (45) **Date of Patent:** **\*\* Sep. 6, 2005**

(54) **CHAIR FRAME PORTION**

- (75) Inventor: **Peter W. Barile, Jr.**, Morristown, TN (US)  
(73) Assignee: **Daniel Paul Chairs, LLC**, Morristown, TN (US)  
(\*\*) Term: **14 Years**  
(21) Appl. No.: **29/180,716**  
(22) Filed: **Apr. 29, 2003**  
(51) **LOC (8) Cl.** ..... **06-06**  
(52) **U.S. Cl.** ..... **D6/500**  
(58) **Field of Search** ..... D6/334, 374, 375, D6/379, 380, 500-502; 297/239, 285, 296, 297, 445.1

(56) **References Cited**

**U.S. PATENT DOCUMENTS**

3,856,352	A	*	12/1974	Jacobi, Sr.	.....	297/239
4,603,904	A	*	8/1986	Tolleson et al.	.....	297/296
4,807,929	A	*	2/1989	Balsbaugh	.....	297/239
4,913,496	A	*	4/1990	Oke	.....	297/297
D421,344	S	*	3/2000	Kaiser	.....	D6/334
6,174,029	B1	*	1/2001	Swy	.....	297/239
D439,069	S	*	3/2001	Turner et al.	.....	D6/380
D486,677	S	*	2/2004	Barile, Sr.	.....	D6/500
D486,984	S	*	2/2004	Barile et al.	.....	D6/500
D486,985	S	*	2/2004	Barile, Sr.	.....	D6/500
6,715,838	B1	*	4/2004	Pflaster et al.	.....	297/239
6,820,934	B2	*	11/2004	Ware et al.	.....	297/285
6,860,556	B2	*	3/2005	Barile et al.	.....	297/239
2004/0080199	A1	*	4/2004	Ware et al.	.....	297/285
2004/0217635	A1	*	11/2004	Barile et al.	.....	297/239

**OTHER PUBLICATIONS**

“A Complete Look at MTS,” MTS Seating Catalog, 1998.  
Shelby Williams Industries, Inc., “The Elegante Aluminum Chair,” Banquet, Conference Center & Function Room Furnishings Catalog, BQ-12A, 1999.

\* cited by examiner

*Primary Examiner*—Mimosa De  
(74) *Attorney, Agent, or Firm*—Pitts & Brittan, P.C.

(57) **CLAIM**

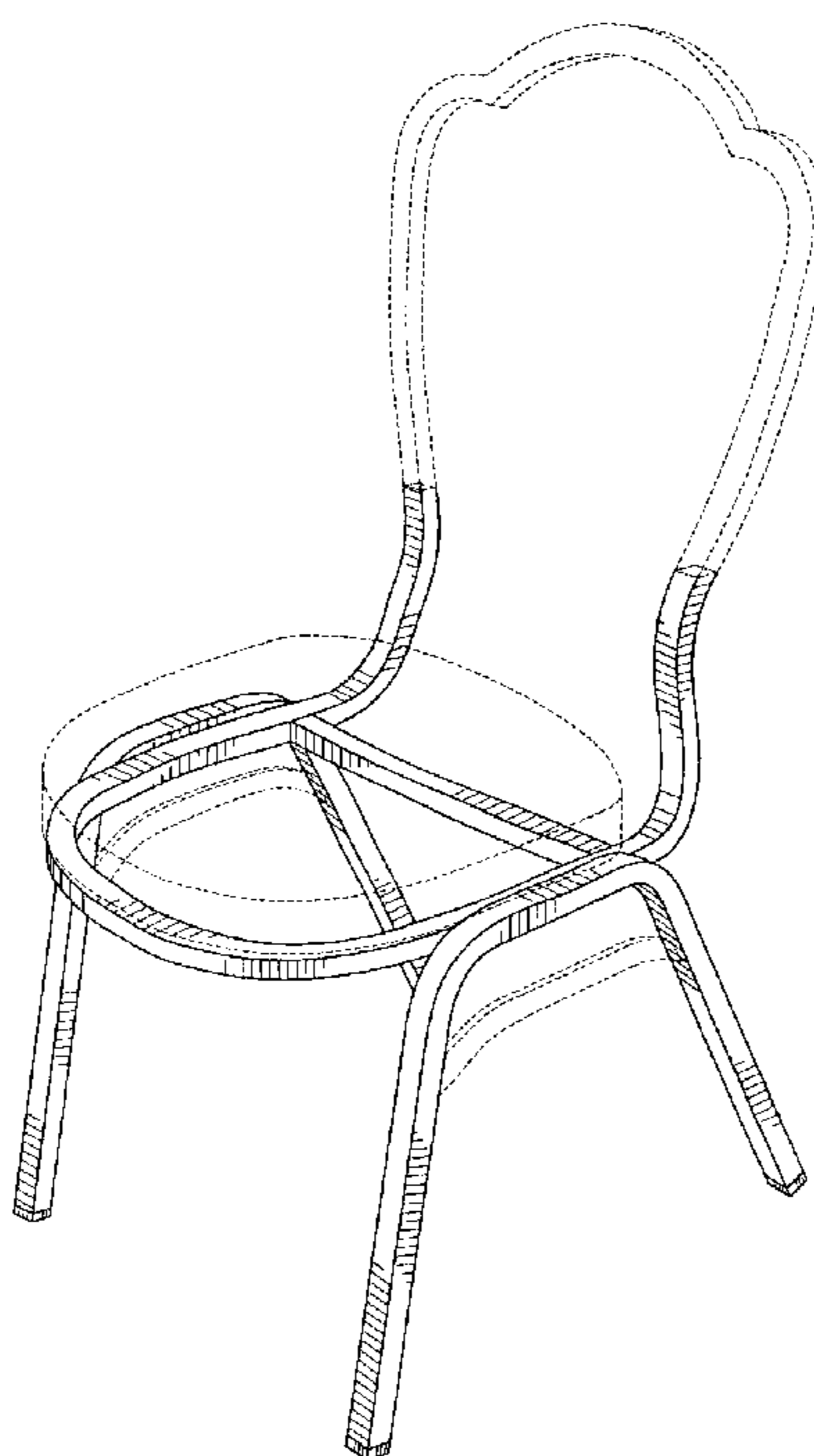
I claim the ornamental design for a chair frame portion, as shown and described.

**DESCRIPTION**

FIG. 1 is a perspective view of a chair frame portion of the present invention;  
FIG. 2 is a front elevation view of a chair frame portion of the present invention;  
FIG. 3 is a rear elevation view of a chair frame portion of the present invention;  
FIG. 4 is a left side elevation view of a chair frame portion of the present invention, the right side elevation view being a mirror image thereof;  
FIG. 5 is a top plan view of a chair frame portion of the present invention; and,  
FIG. 6 is a bottom plan view of a chair frame portion of the present invention.

The features of the chair frame shown in broken lines are for illustrative purposes only and form no part of the claimed design.

**1 Claim, 6 Drawing Sheets**



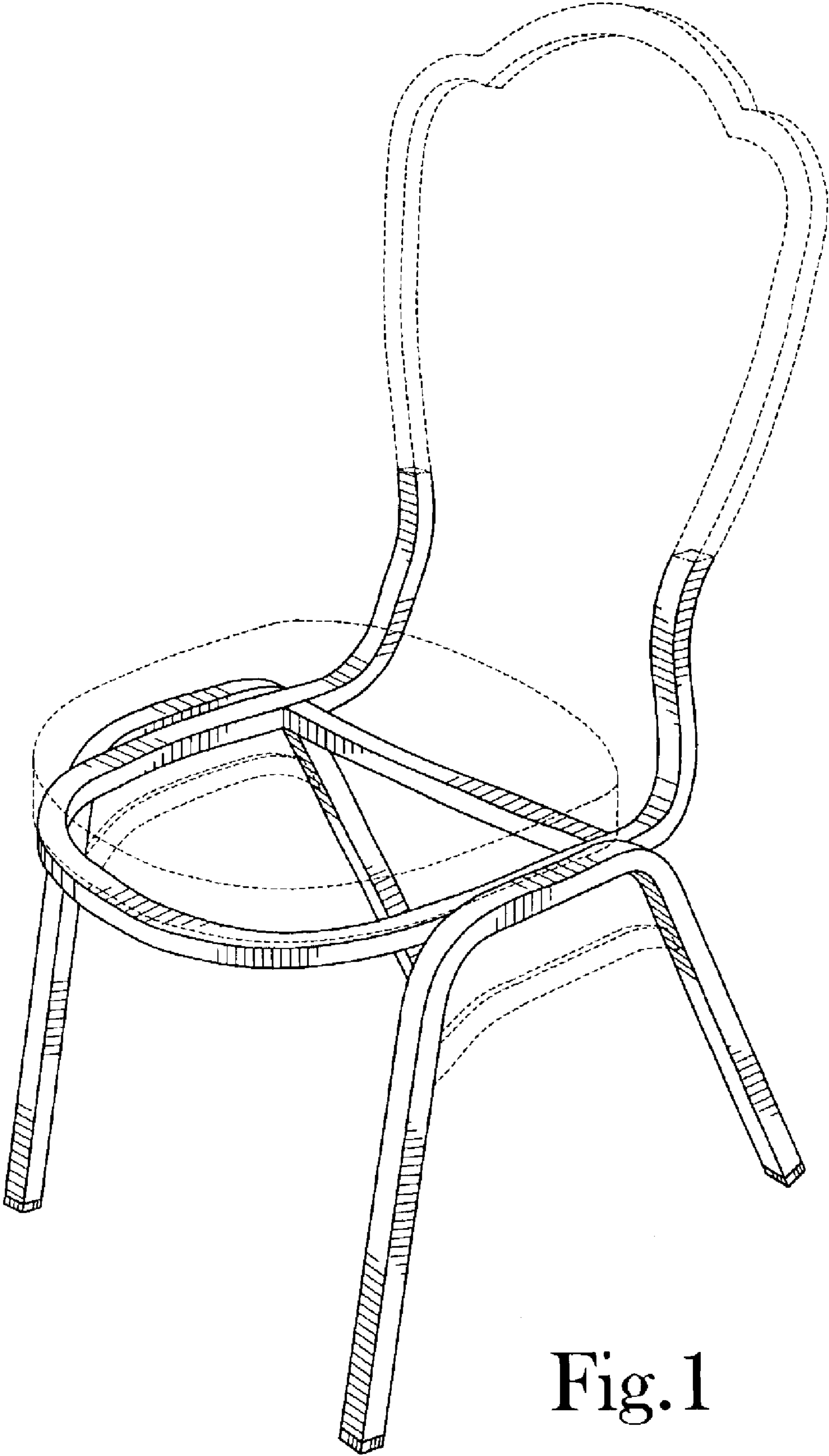


Fig. 1

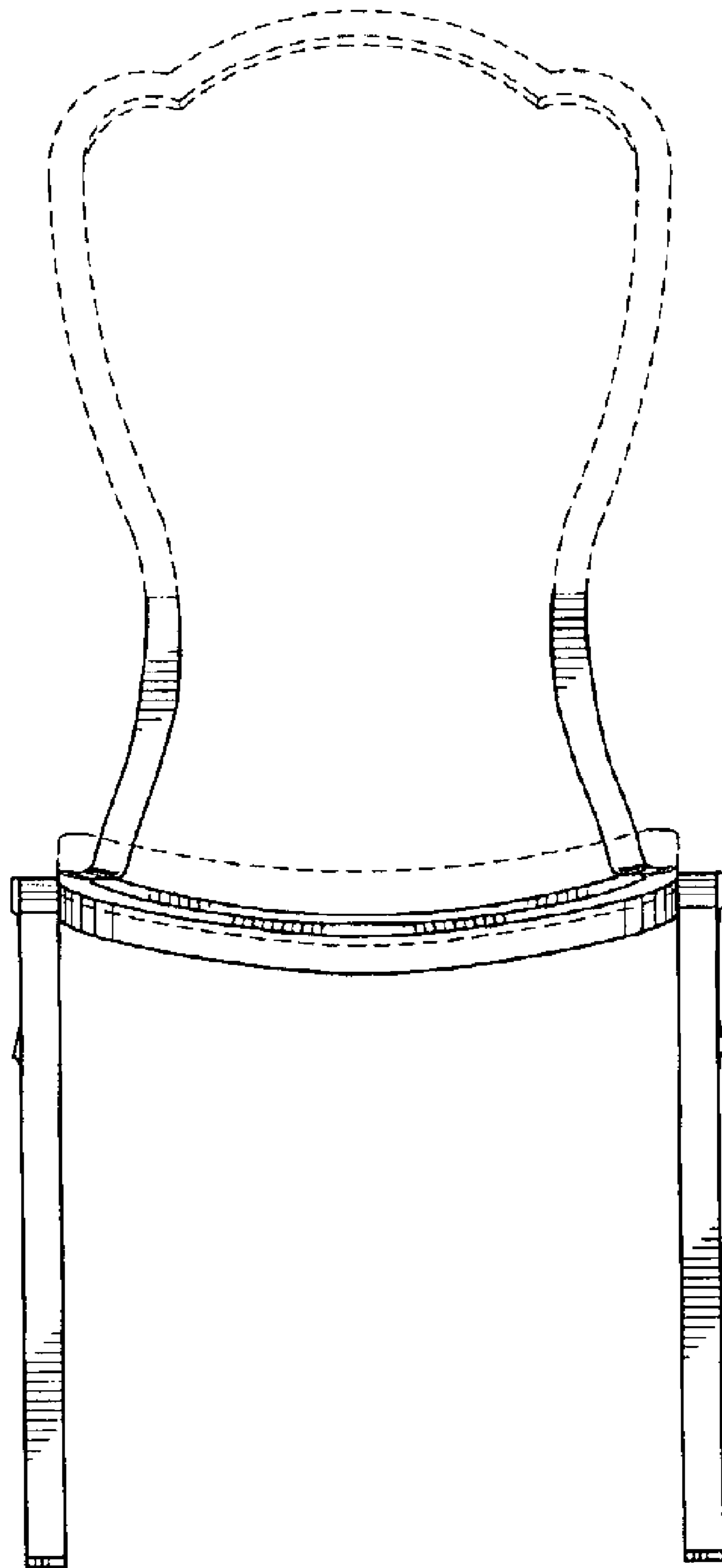


Fig. 2

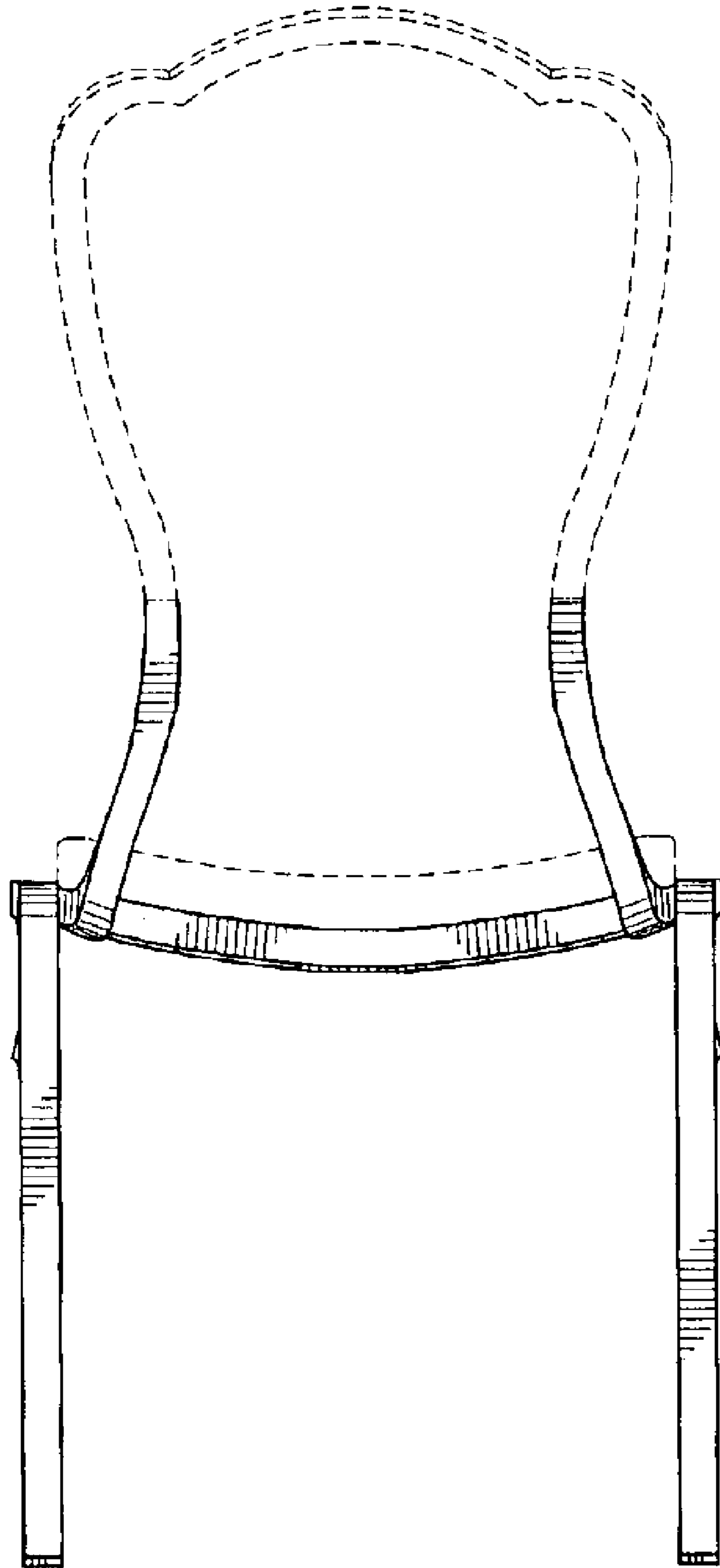


Fig. 3

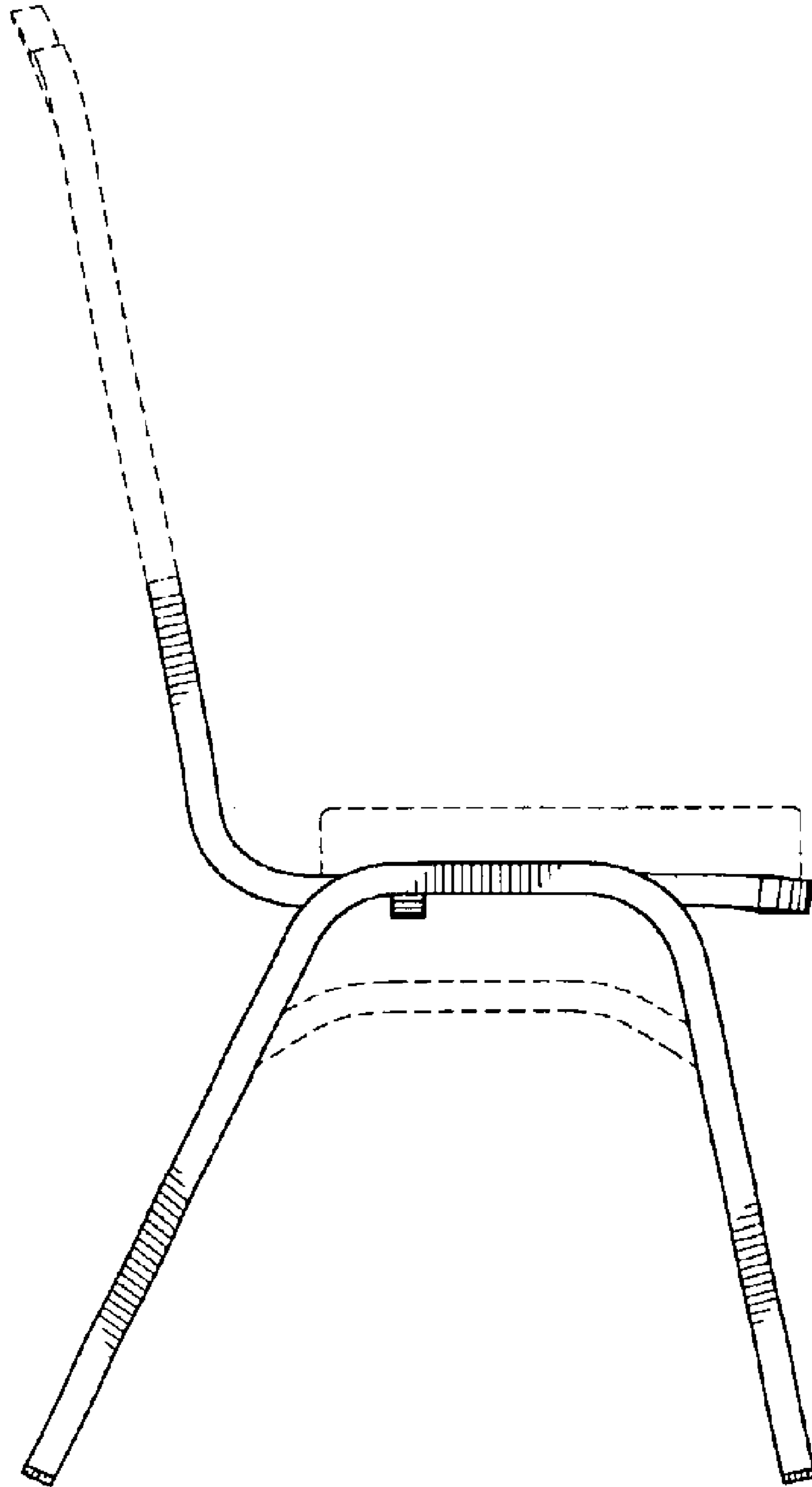


Fig. 4

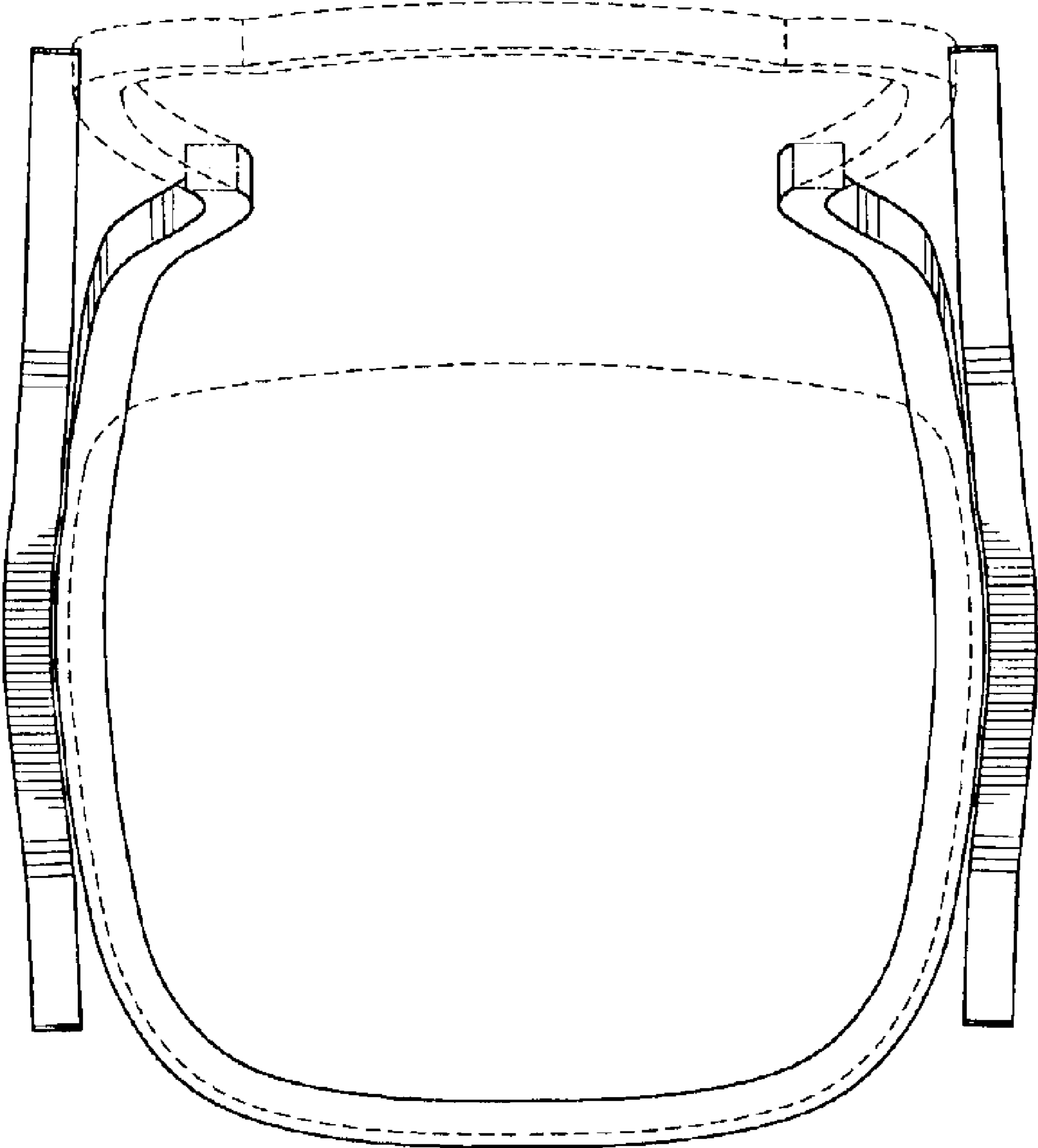


Fig.5

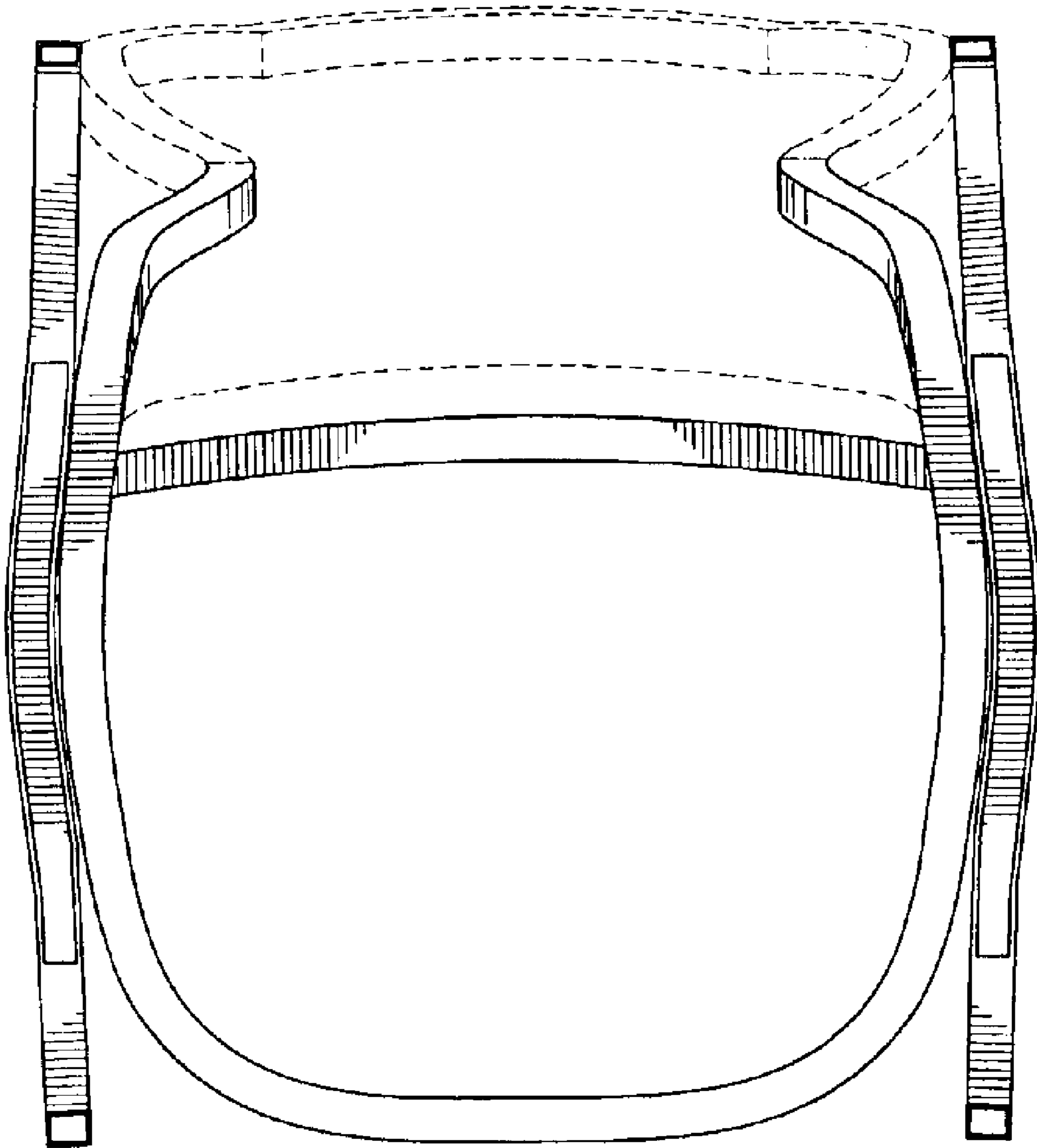


Fig.6