



US00D509082S

(12) **United States Design Patent**
Petrucelli

(10) **Patent No.:** **US D509,082 S**
(45) **Date of Patent:** **** Sep. 6, 2005**

(54) **MODULAR PEDICURE CABINET AND CUSHION SEAT**

(75) Inventor: **Giulio Petrucelli**, Flushing, NY (US)

(73) Assignee: **P.S. Pibbs, Inc.**, Flushing, NY (US)

(**) Term: **14 Years**

(21) Appl. No.: **29/199,535**

(22) Filed: **Feb. 17, 2004**

(51) **LOC (8) Cl.** **06-04**

(52) **U.S. Cl.** **D6/441; D6/446; D6/336**

(58) **Field of Search** **D6/432, 441, 445-446, D6/448; D19/72, 86, 92; D34/19; 312/108, 257.1, 297, 330.1**

(56) **References Cited**

U.S. PATENT DOCUMENTS

D351,508 S	*	10/1994	Bonazza	D6/336
D370,572 S	*	6/1996	Lin	D6/446
D424,328 S	*	5/2000	Dominik	D6/445
D477,154 S	*	7/2003	Benn	D6/446
D483,963 S	*	12/2003	Cassel	D6/446

* cited by examiner

Primary Examiner—Cathron Brooks

(74) *Attorney, Agent, or Firm*—Anthony J. Casella; Gerald E. Hespos

(57) **CLAIM**

The ornamental design for a modular pedicure cabinet and cushion seat, as shown and described.

DESCRIPTION

FIG. 1 is a perspective view of the modular pedicure cabinet and cushion seat of my design;

FIG. 2 is a top plan view of the modular pedicure cabinet and cushion seat of my design;

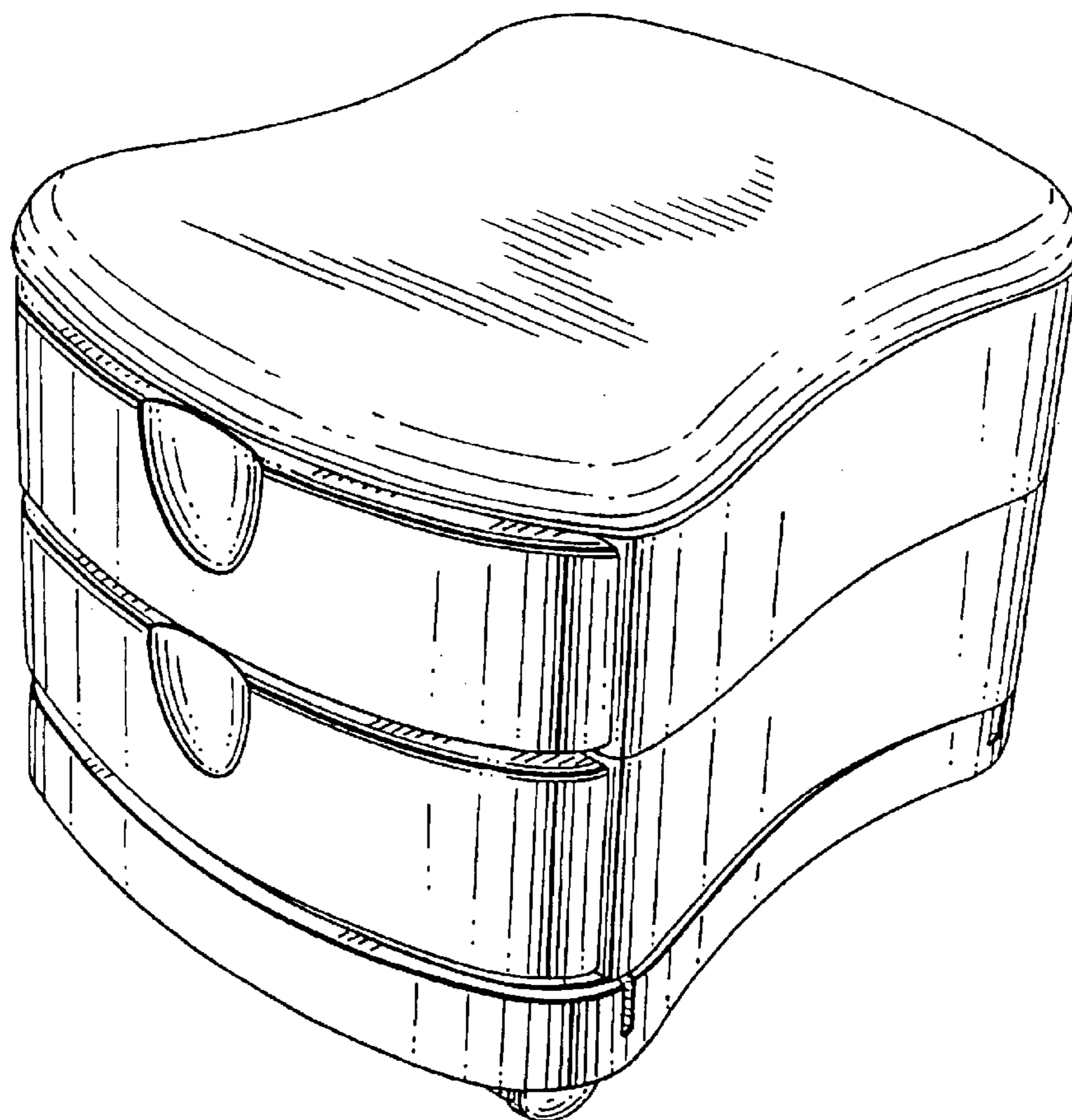
FIG. 3 is a front elevational view of the modular pedicure cabinet and cushion seat of my design;

FIG. 4 is a right side elevational view of the modular pedicure cabinet and cushion seat of my design as shown in FIG. 1, with the left side elevational view being identical;

FIG. 5 is a rear elevational view of the modular pedicure cabinet and cushion seat of my design; and,

FIG. 6 is a bottom plan view of the modular pedicure cabinet and cushion seat of my design.

1 Claim, 6 Drawing Sheets



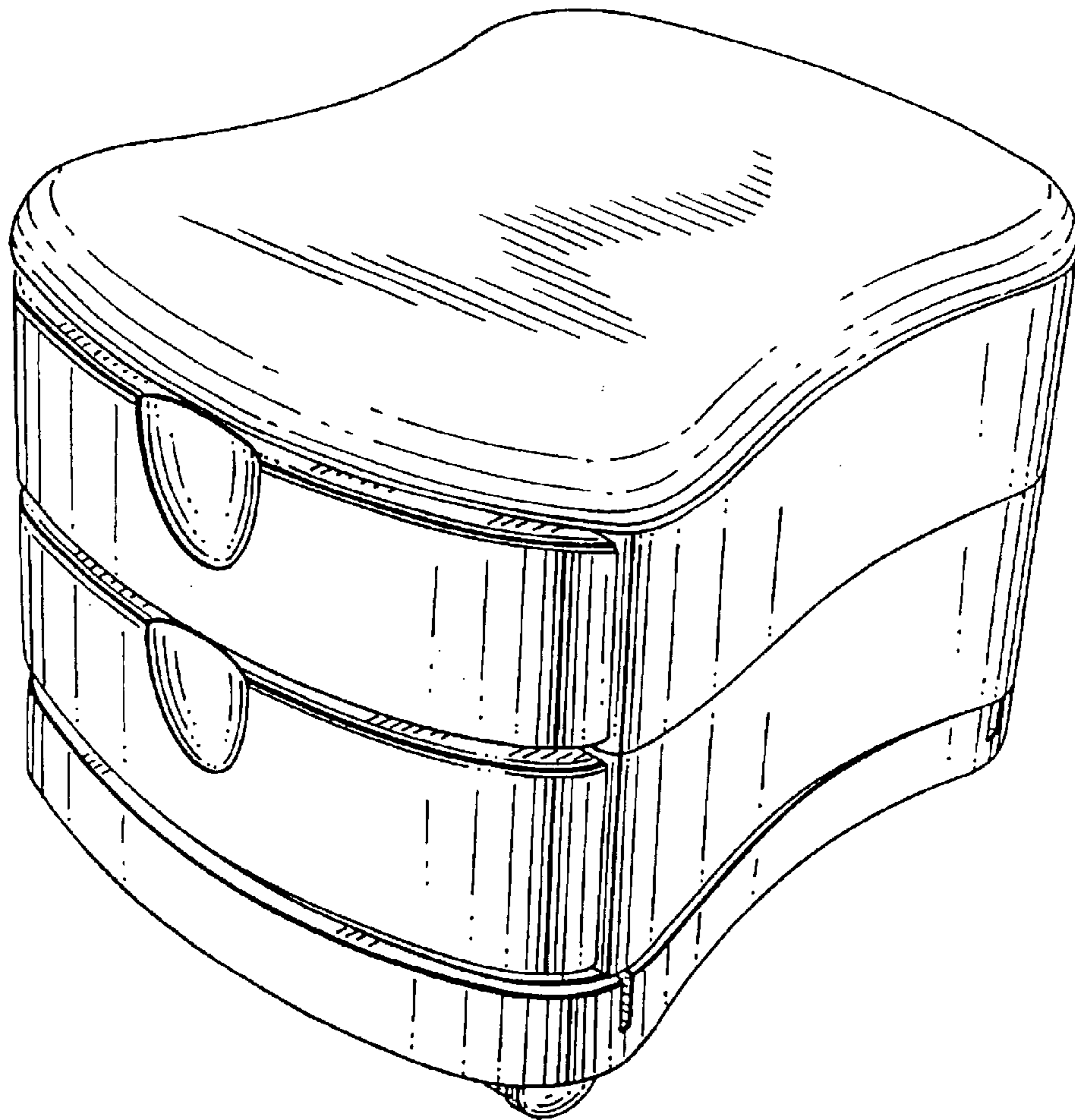


FIG. 1

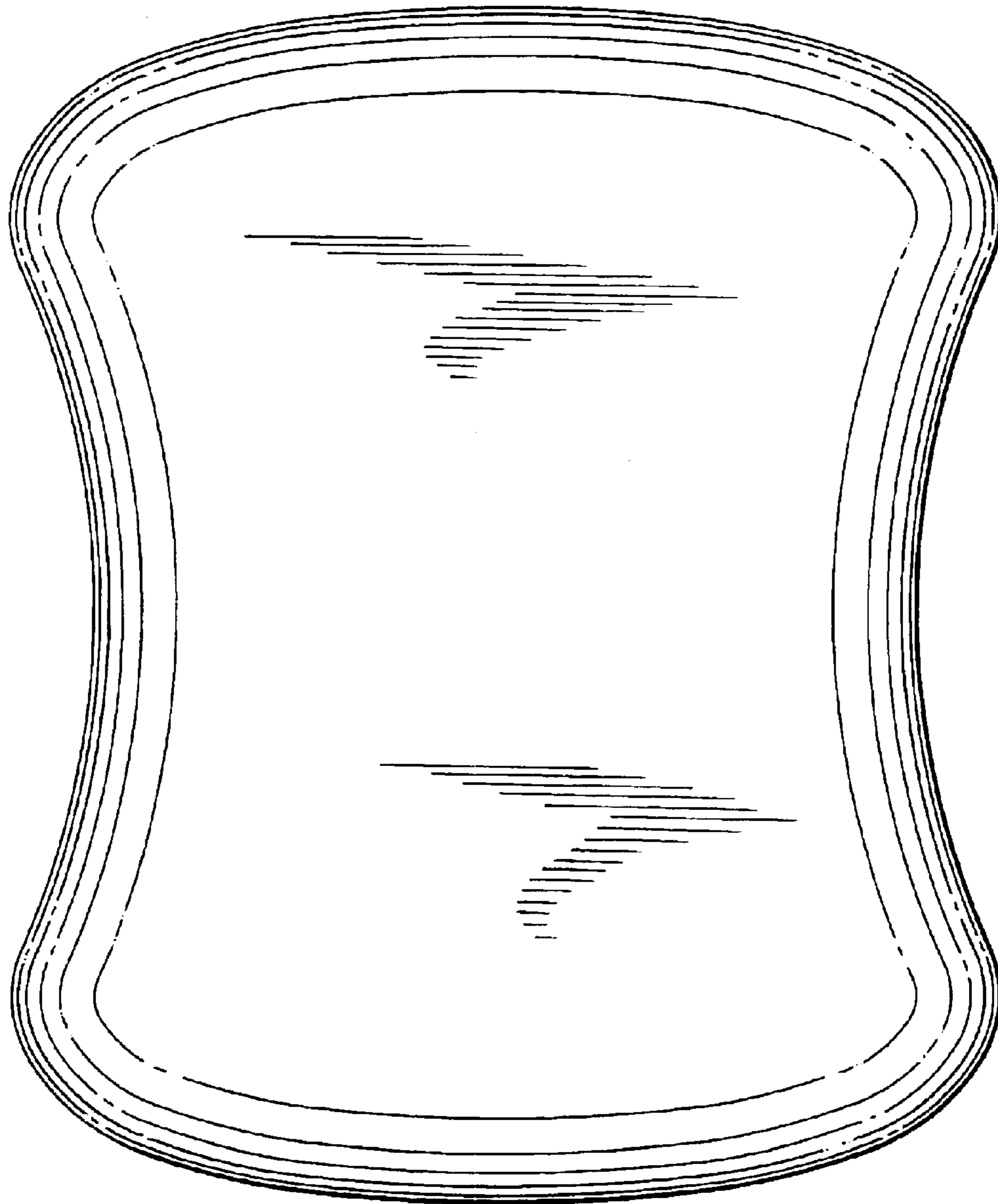


FIG.2

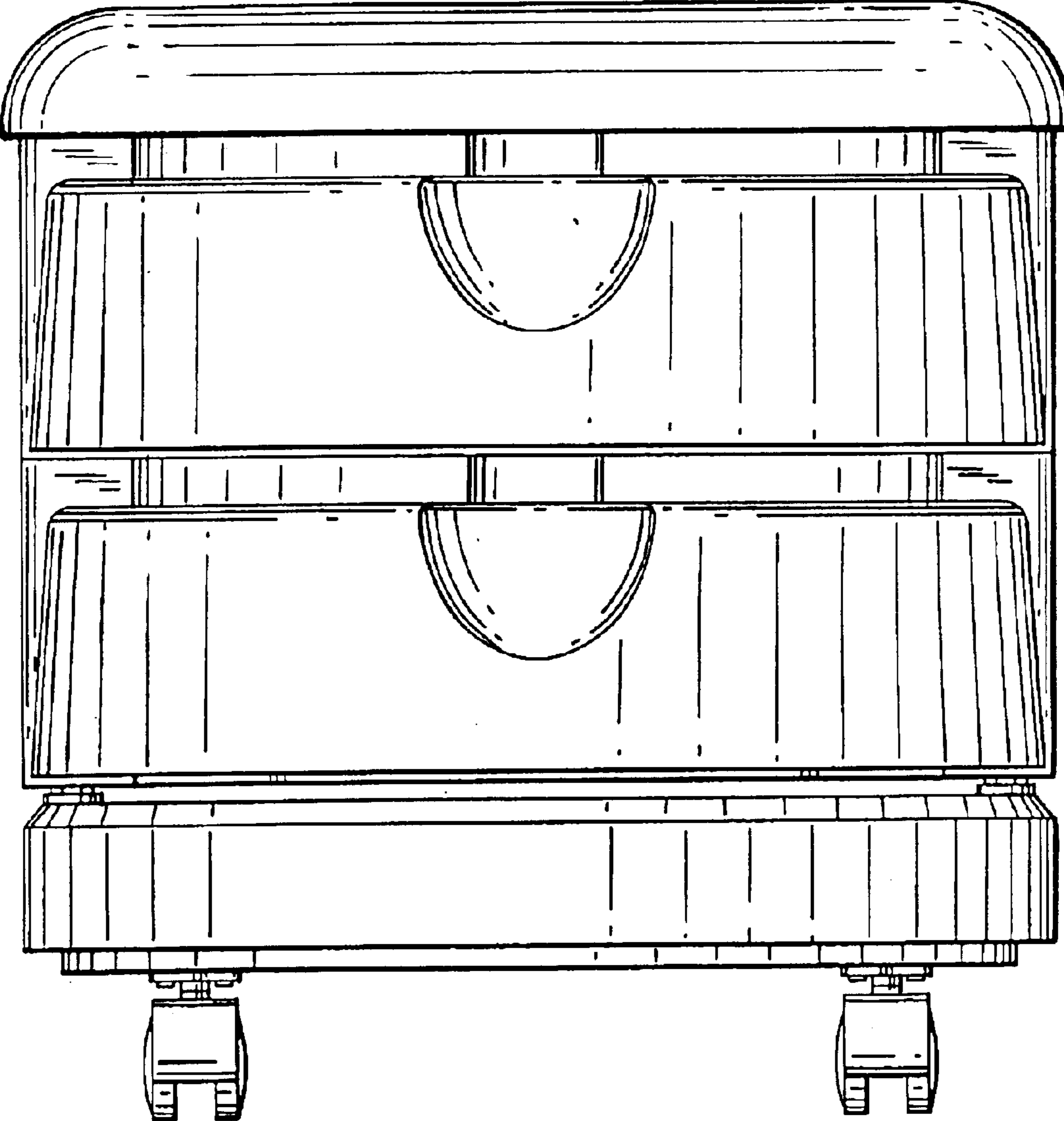


FIG.3

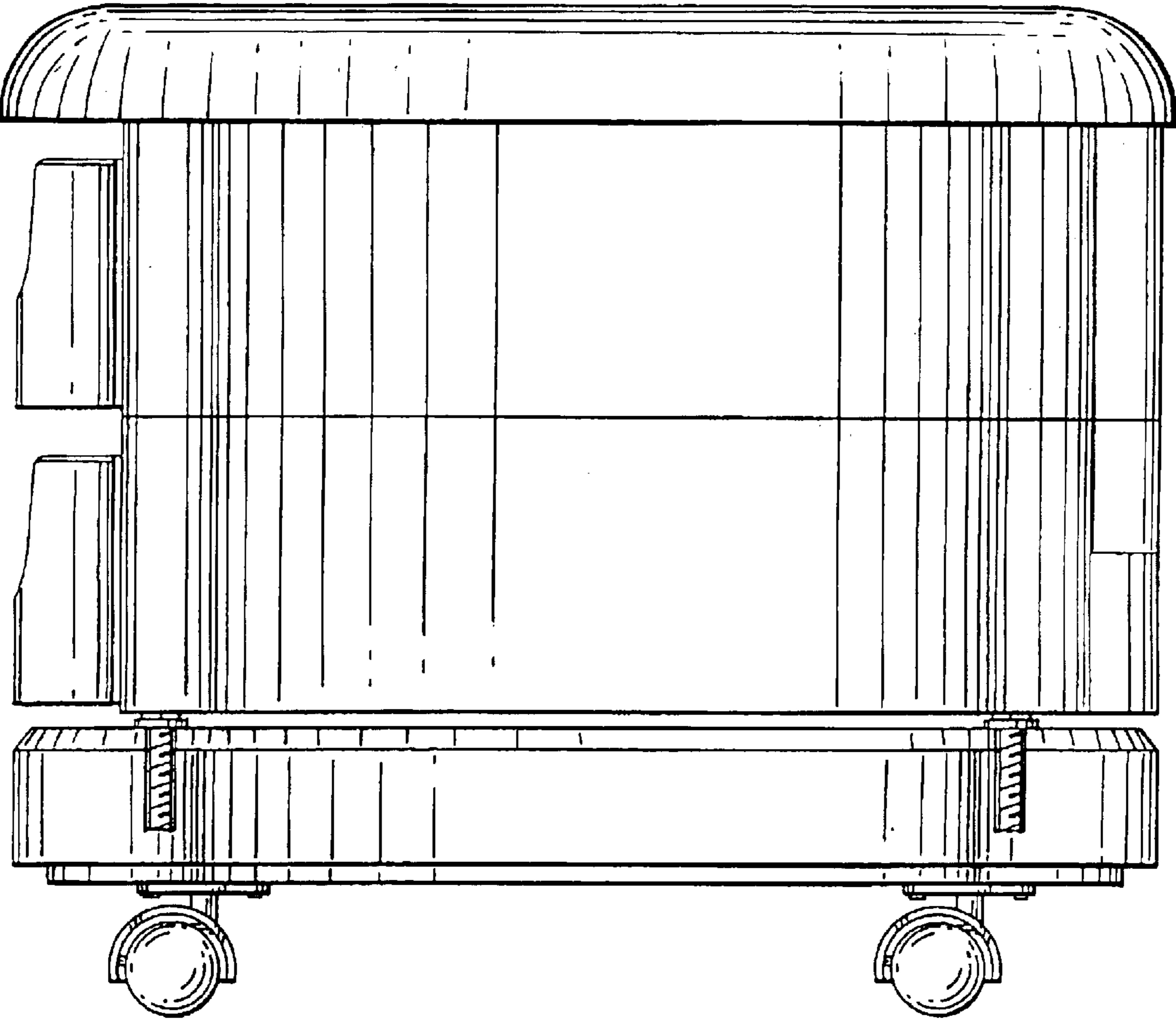


FIG.4

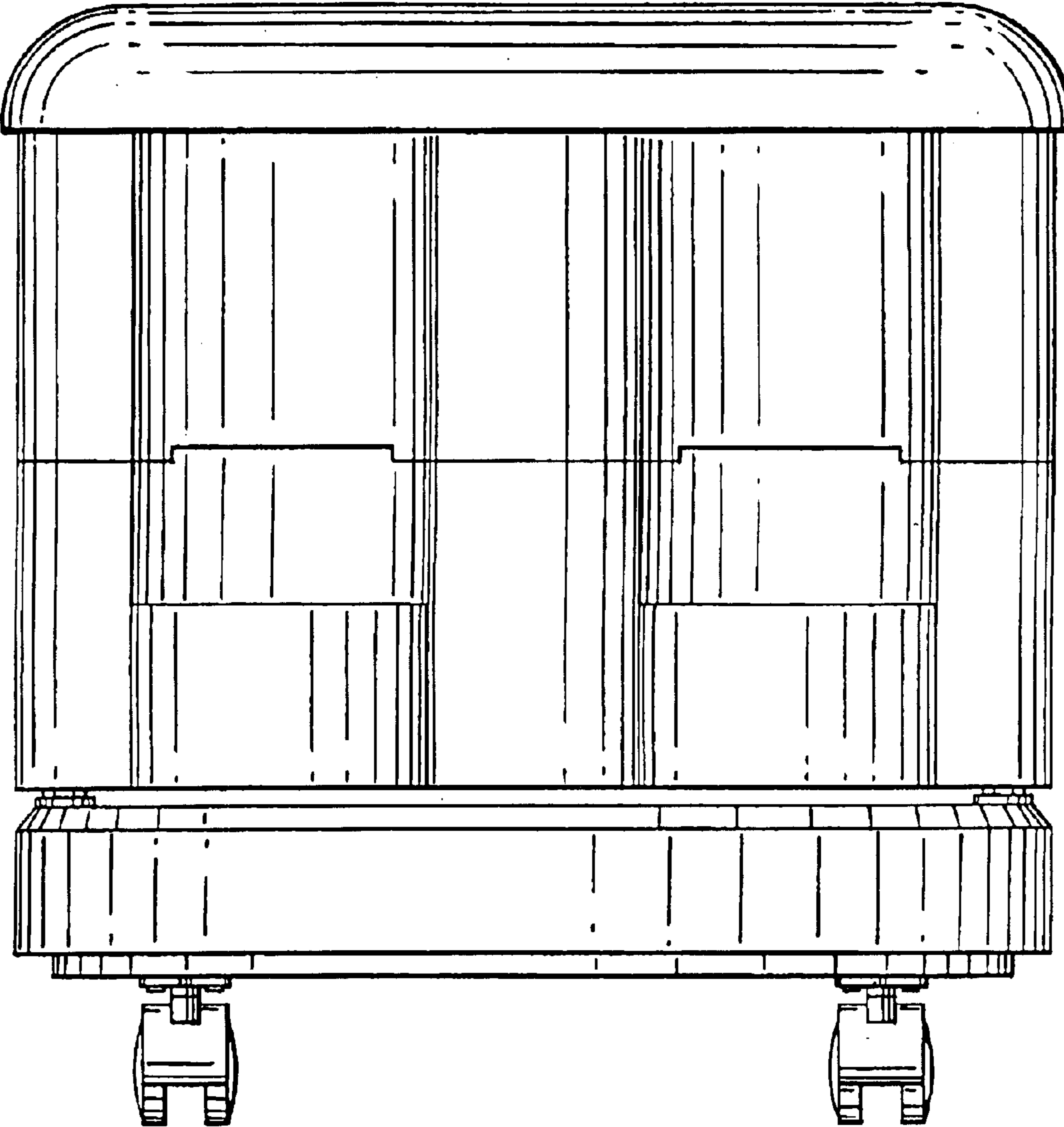


FIG.5

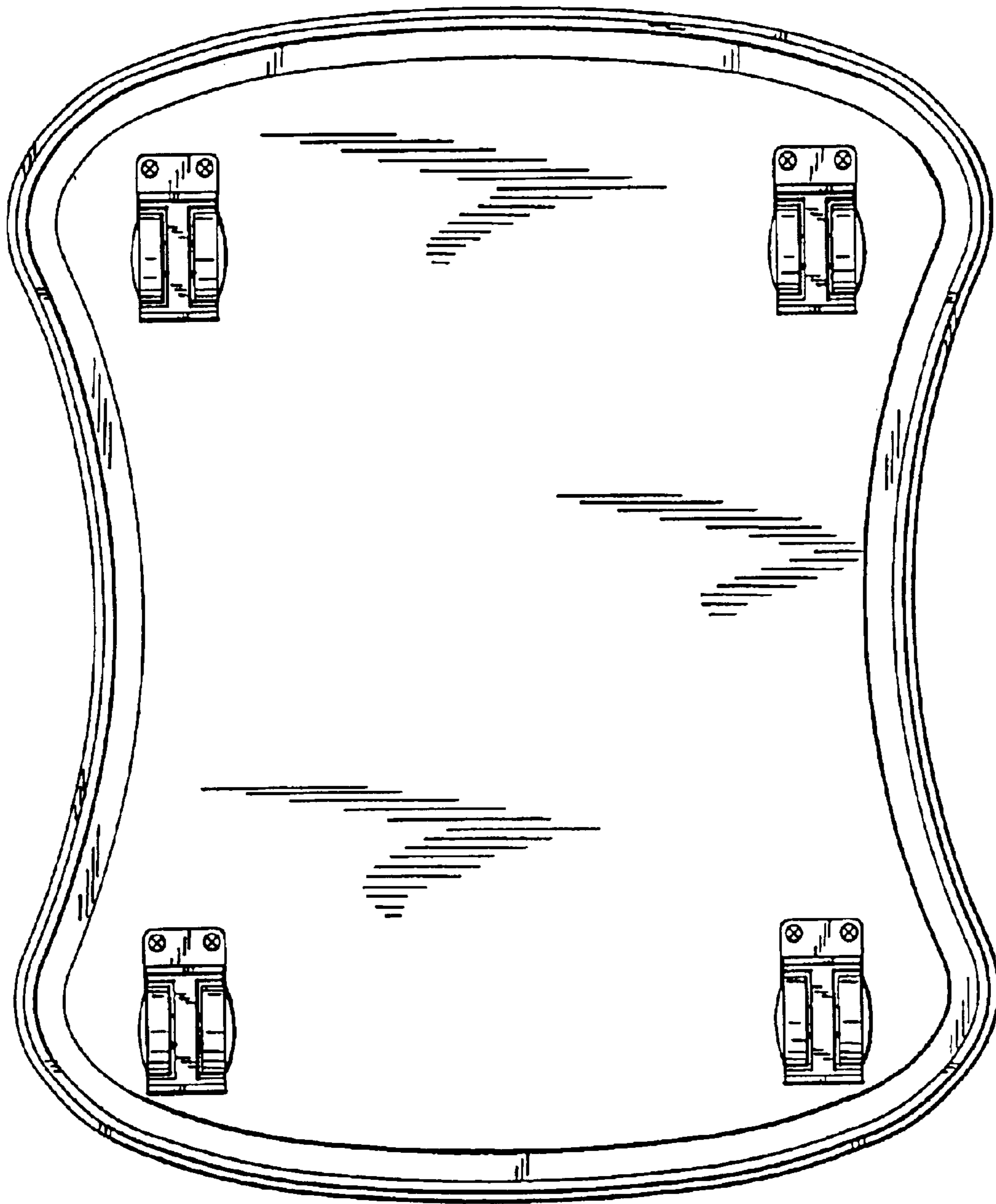


FIG. 6