

US00D509079S

(12) **United States Design Patent**
Natuzzi

(10) **Patent No.:** **US D509,079 S**
(45) **Date of Patent:** **** Sep. 6, 2005**

(54) **CHAIR**

(75) **Inventor:** **Pasquale Natuzzi**, Santeramo in Colle
Bari (IT)

(73) **Assignee:** **Natuzzi S.p.A.**, Bari (IT)

(**) **Term:** **14 Years**

(21) **Appl. No.:** **29/216,240**

(22) **Filed:** **Oct. 29, 2004**

(51) **LOC (8) Cl.** **06-01**

(52) **U.S. Cl.** **D6/361**

(58) **Field of Search** D6/334, 335, 361,
D6/364, 365, 367, 500-502, 374, 375;
5/620-624; 297/423.19, 423.36

(56) **References Cited**

U.S. PATENT DOCUMENTS

D120,131 S	*	4/1940	Moeller	D6/335
D167,761 S	*	9/1952	Luckhardt	D6/361
D183,790 S	*	10/1958	Deaton	D6/361
D217,449 S	*	5/1970	Meyer	D6/361
D228,428 S	*	9/1973	Wilson	D6/361

D337,441 S	*	7/1993	Martin et al.	D6/361
D341,491 S	*	11/1993	Martin	D6/361
D379,722 S	*	6/1997	Good	D6/361
D425,714 S	*	5/2000	Sabo	D6/361
2002/0000008 A1	*	1/2002	Borders	5/622

* cited by examiner

Primary Examiner—Mimosa De

(74) *Attorney, Agent, or Firm*—Harrison & Egbert

(57) **CLAIM**

I claim the ornamental design for a chair, as shown and described.

DESCRIPTION

FIG. 1 is a front elevation view of the chair showing my design.

FIG. 2 is top plan view thereof;

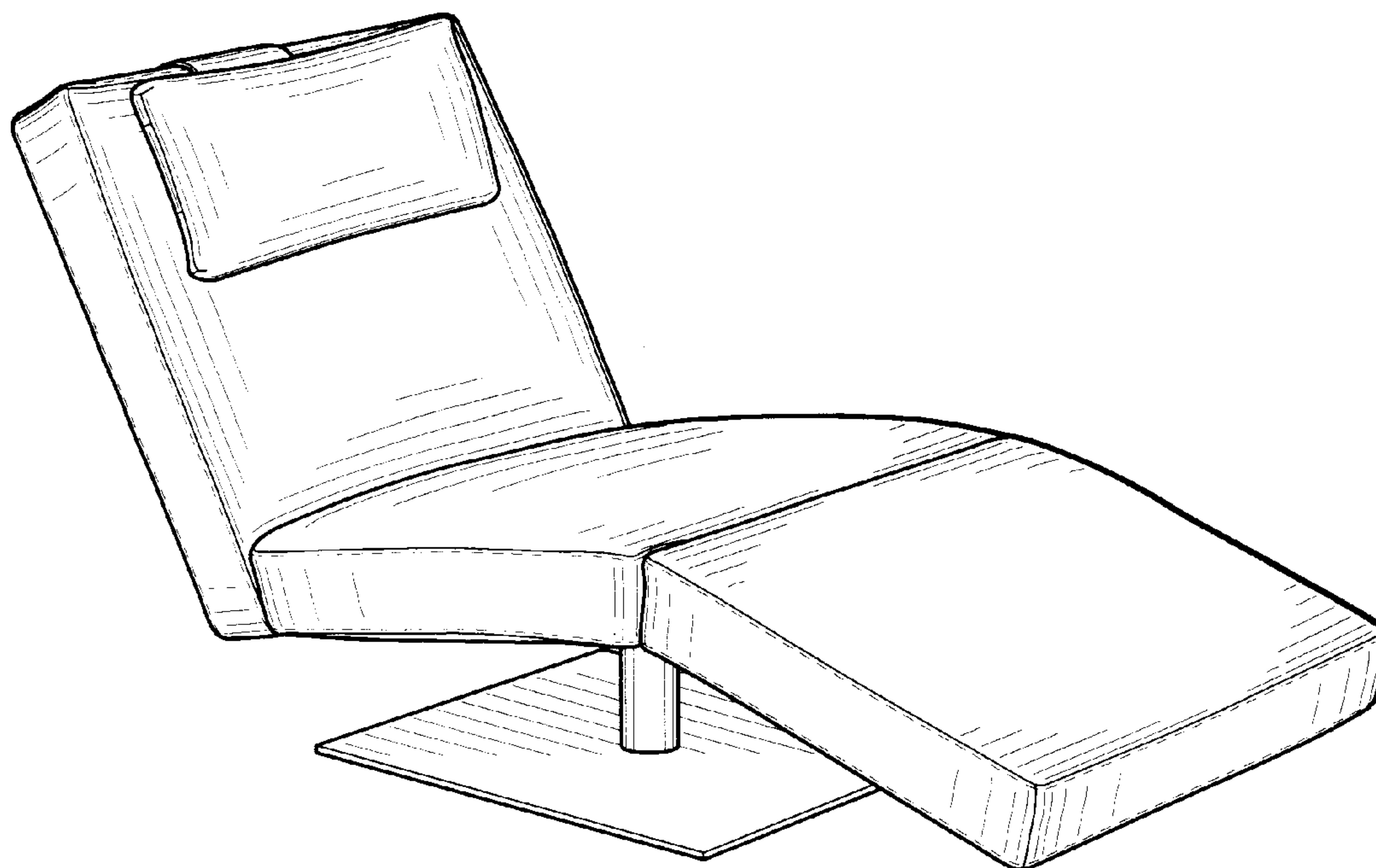
FIG. 3 is a front perspective view thereof;

FIG. 4 is a back perspective view thereof; and,

FIG. 5 is a side view thereof, an opposite side view being a mirror image thereof.

The broken lines shown on the sofa are understood to represent stitching.

1 Claim, 3 Drawing Sheets



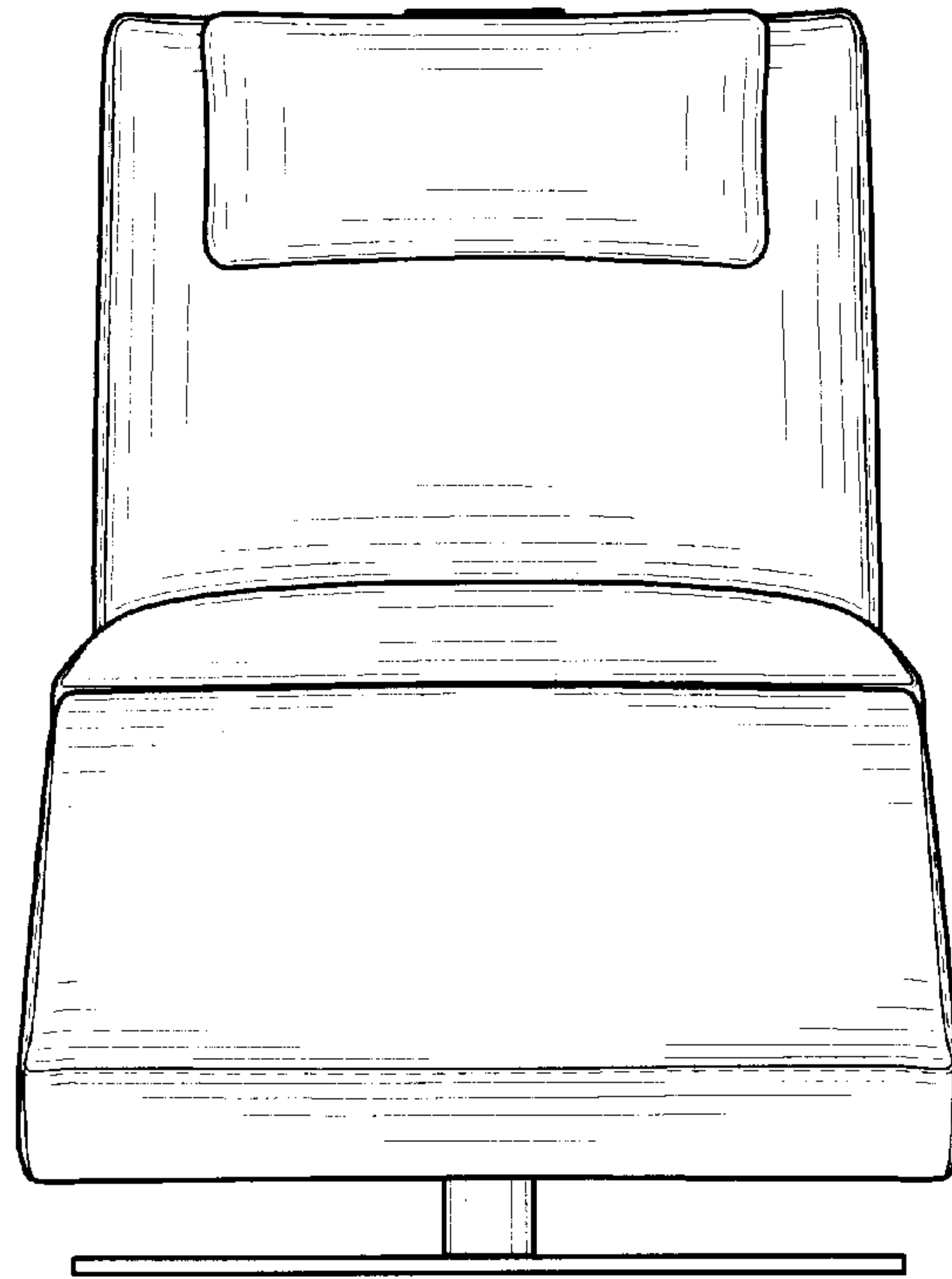


FIG. 1

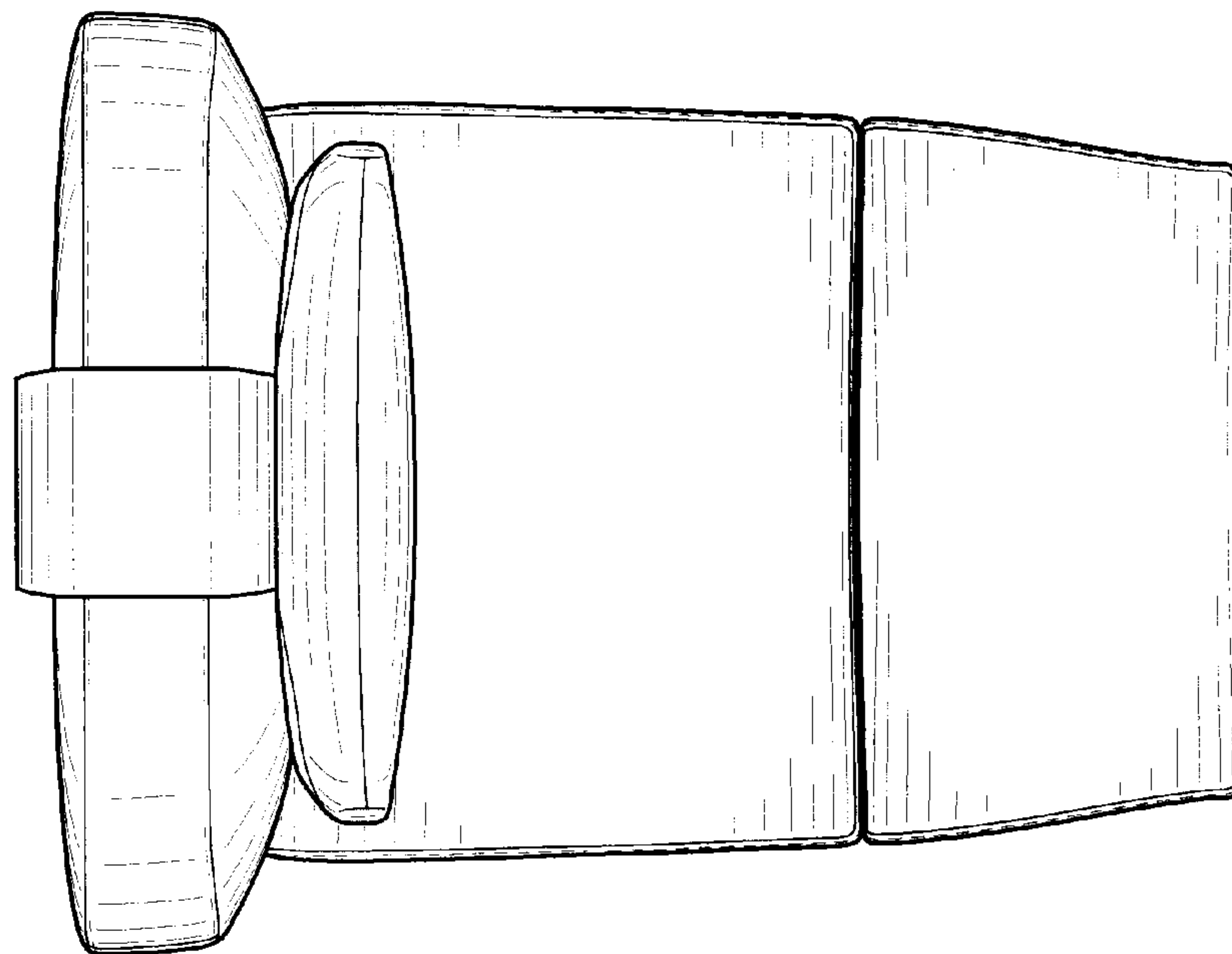


FIG. 2

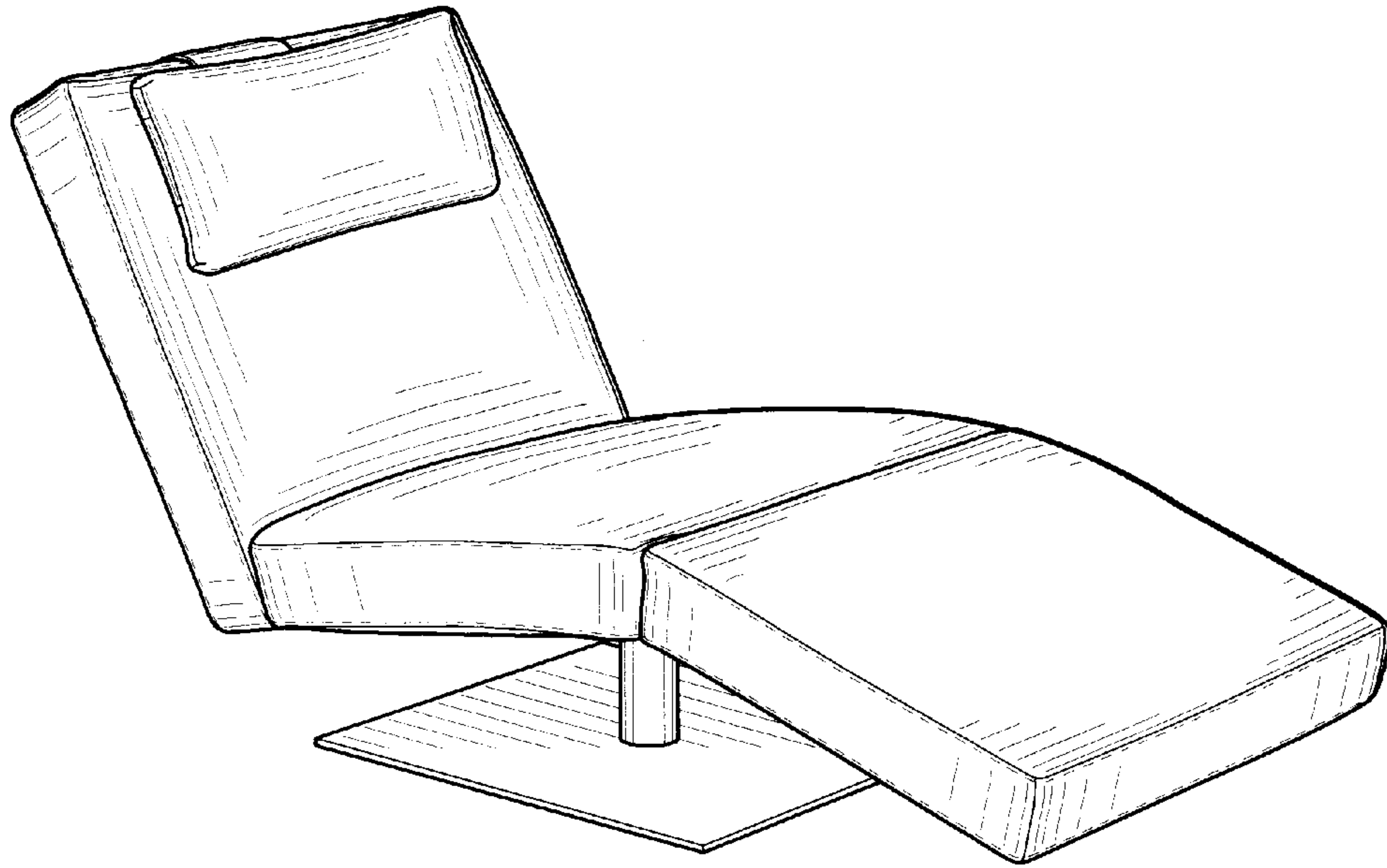


FIG. 3

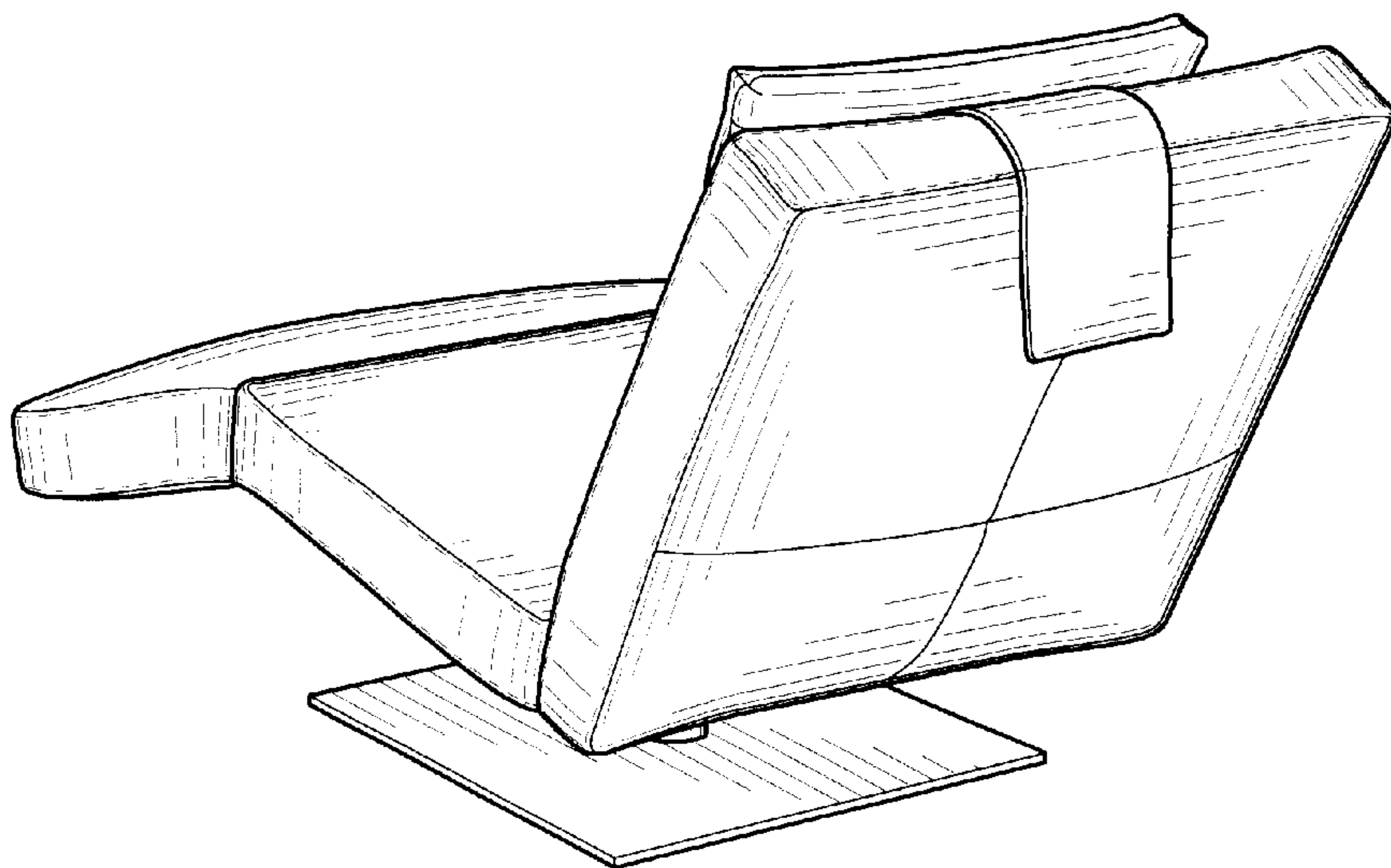


FIG. 4

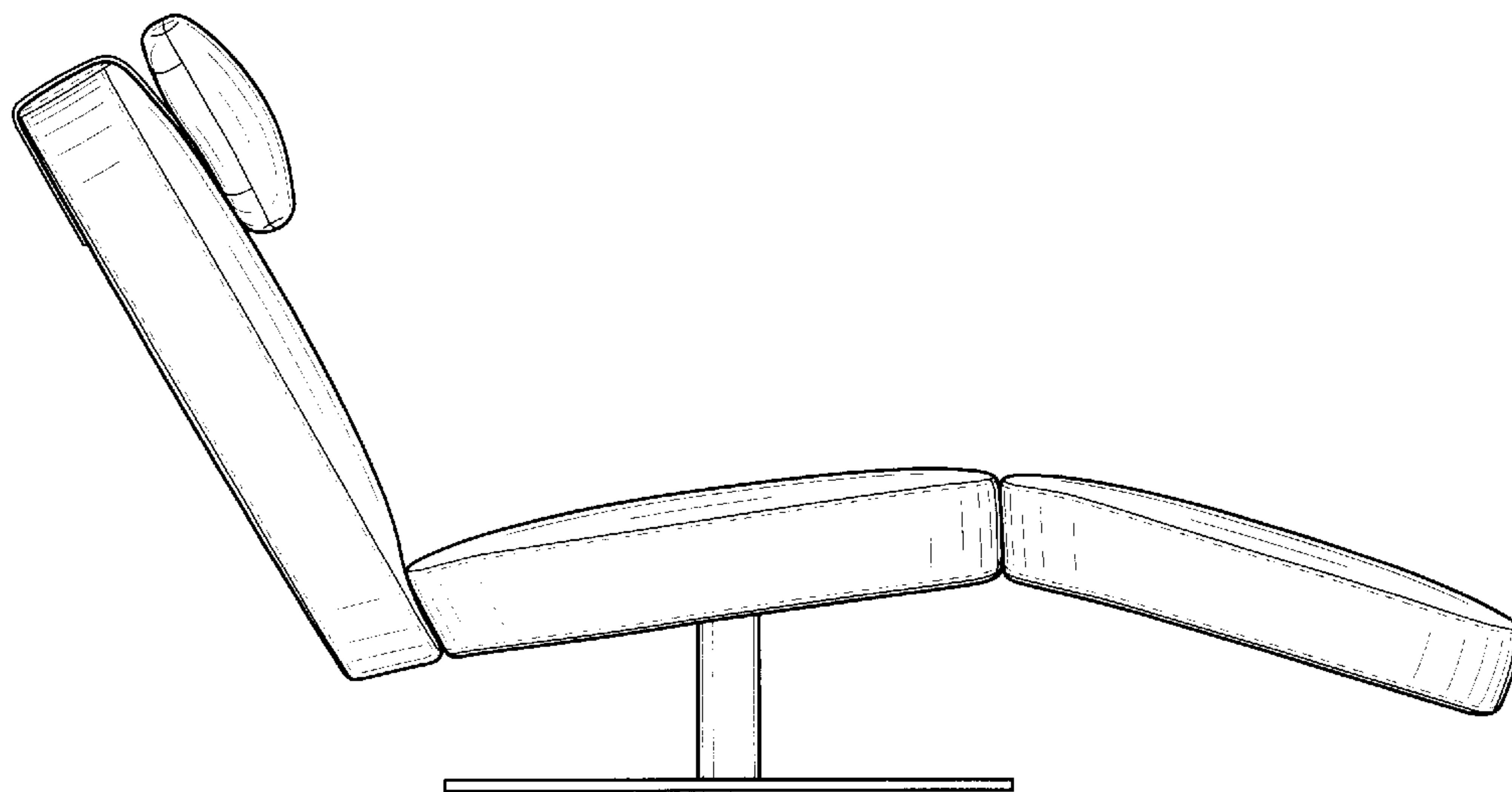


FIG. 5