

US00D509076S

(12) **United States Design Patent**
Beck

(10) **Patent No.:** **US D509,076 S**
(45) **Date of Patent:** **** Sep. 6, 2005**

(54) **STOOL**

(76) **Inventor:** **Gregory S. Beck**, 5120 Stonehaven Dr.,
Yorba Linda, CA (US) 92887

(**) **Term:** **14 Years**

(21) **Appl. No.:** **29/210,966**

(22) **Filed:** **Aug. 9, 2004**

(51) **LOC (8) Cl.** **06-01**

(52) **U.S. Cl.** **D6/354; D6/349**

(58) **Field of Search** D6/349-355, 495-496,
D6/498, 499, 500-502; 297/195.1, 204,
214

(56) **References Cited**

U.S. PATENT DOCUMENTS

251,507	A	*	12/1881	Bartlett	297/195.11
D165,078	S	*	11/1951	Klein	D6/349
4,130,263	A	*	12/1978	Roericht	248/371
4,183,579	A	*	1/1980	Gonzalez y. Rojas	..	297/195.11
D261,450	S	*	10/1981	Jenkins	D6/354
D265,951	S	*	8/1982	Simpson	D6/352
D271,352	S	*	11/1983	De Boer	D6/349
4,469,372	A	*	9/1984	Long	297/5
6,709,052	B2	*	3/2004	Jalkanen	297/202

D496,813 S * 10/2004 Nakajima D6/502

* cited by examiner

Primary Examiner—Caron D. Veynar

Assistant Examiner—Vy Nguyen

(74) *Attorney, Agent, or Firm*—John J. Connors; Connors & Assoc. Inc.

(57) **CLAIM**

The ornamental design for a stool, as shown and described.

DESCRIPTION

FIG. 1 is a perspective view of the stool of this invention looking towards the front of the stool.

FIG. 2 is a perspective view of the stool of this invention looking towards the rear of the stool.

FIG. 3 is a right side view of the stool of this invention.

FIG. 4 is a front view of the stool of this invention.

FIG. 5 is a rear view of the stool of this invention.

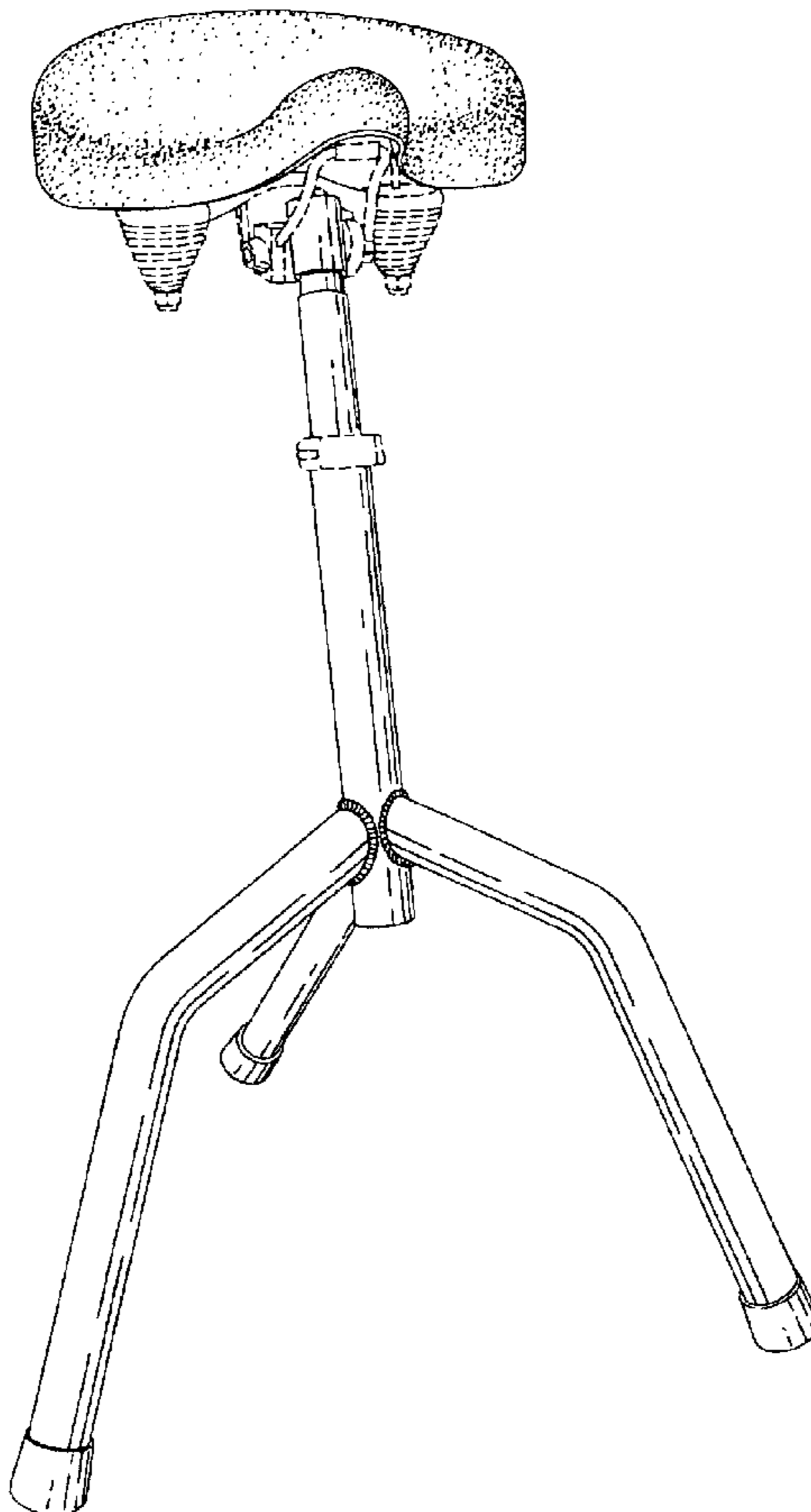
FIG. 6 is a bottom plan view of the stool of this invention.

FIG. 7 is a left side view of the stool of this invention; and,

FIG. 8 is a top plan view of the stool of this invention.

The broken line disclosure is for illustrative purposes only and forms no part of the claimed design.

1 Claim, 7 Drawing Sheets



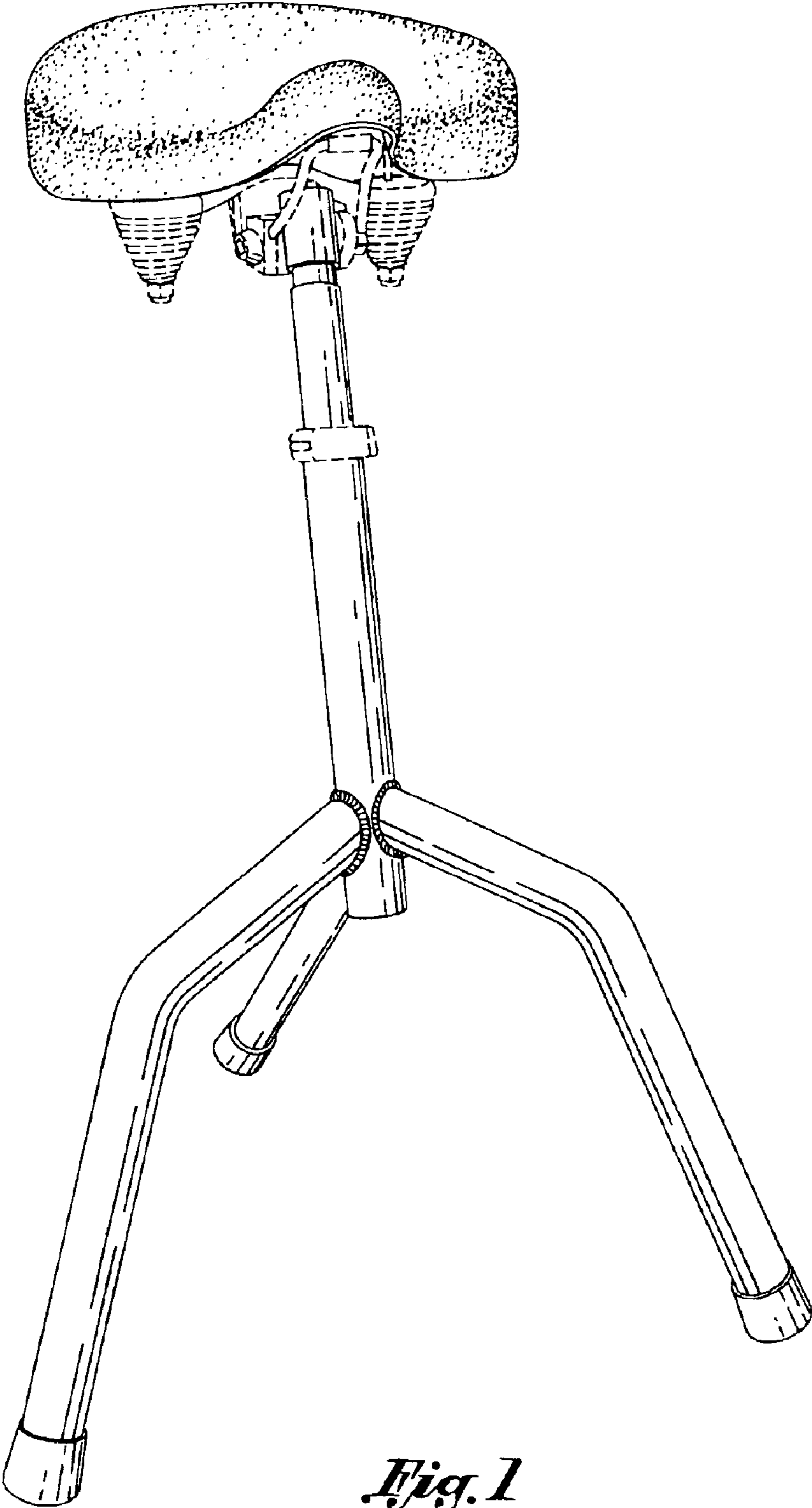


Fig. 1

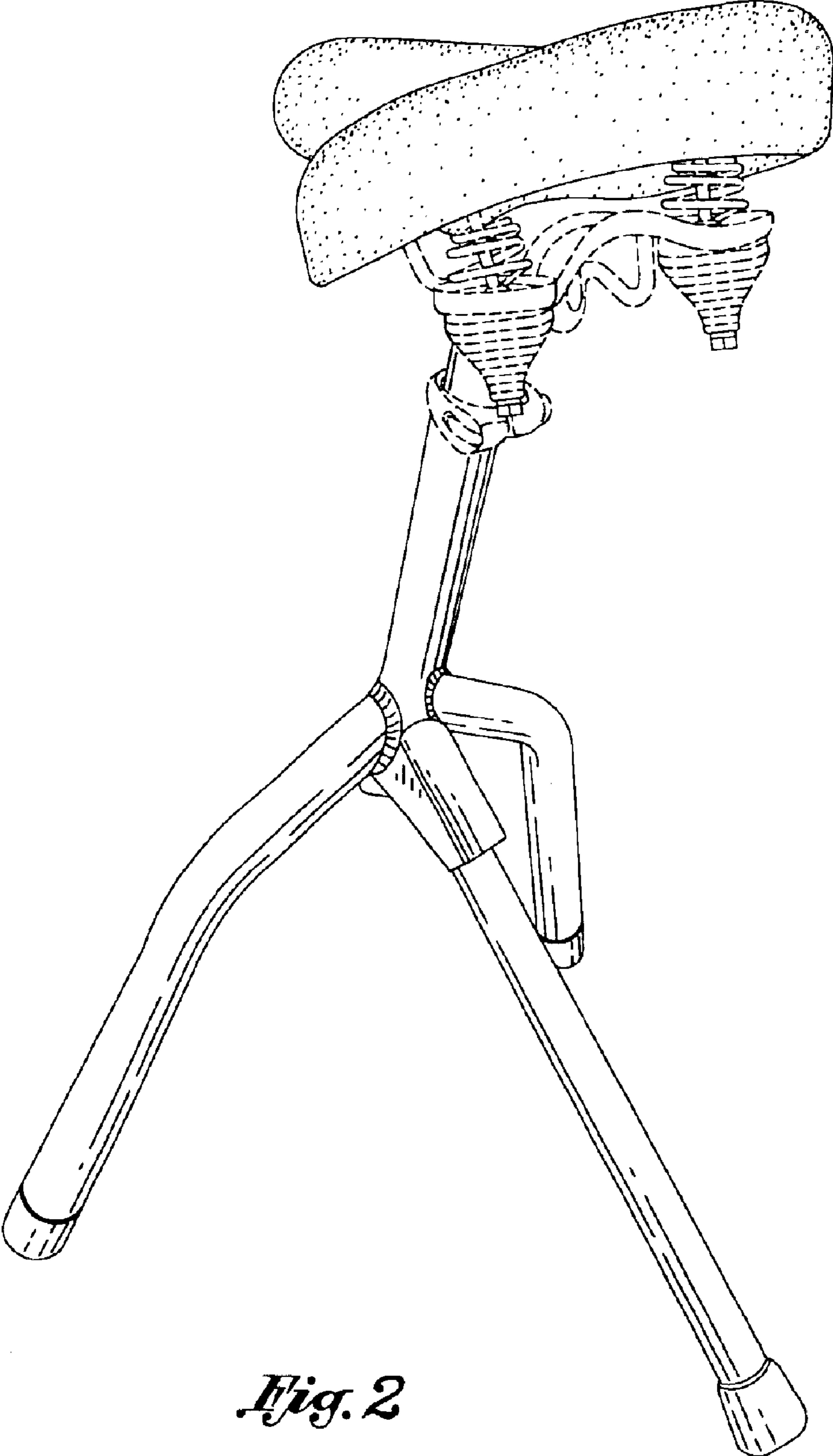


Fig. 2

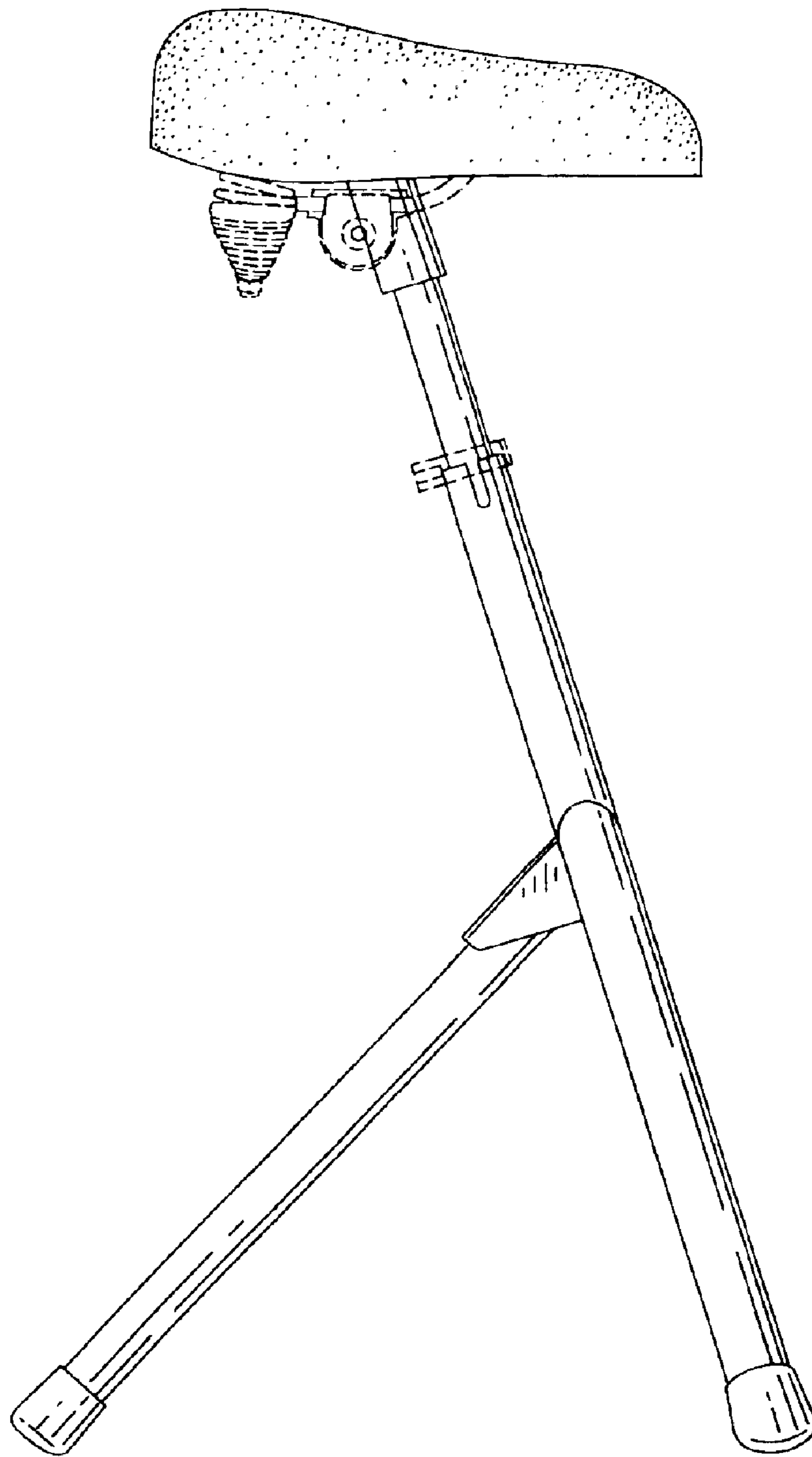


Fig. 3

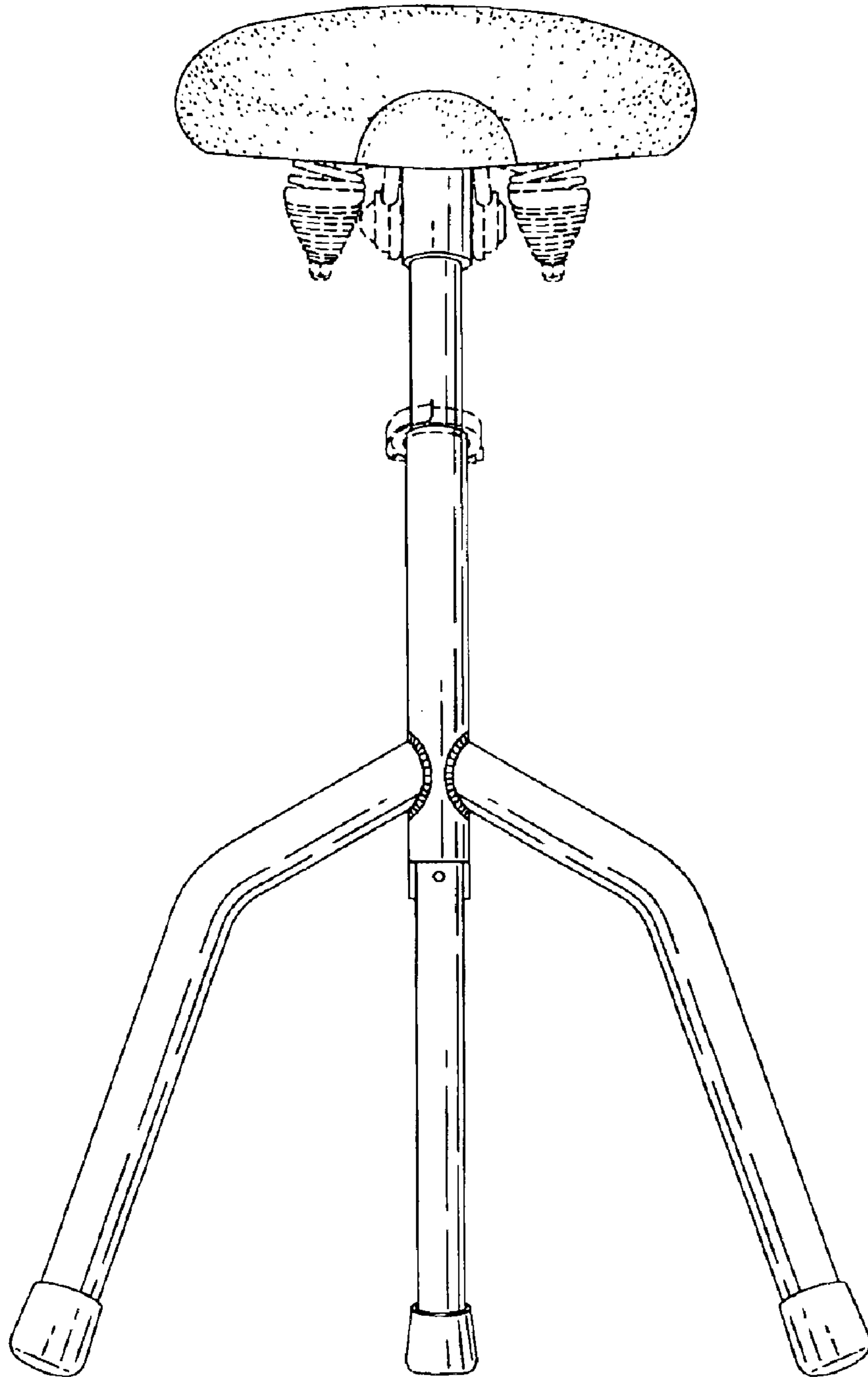


Fig. 4

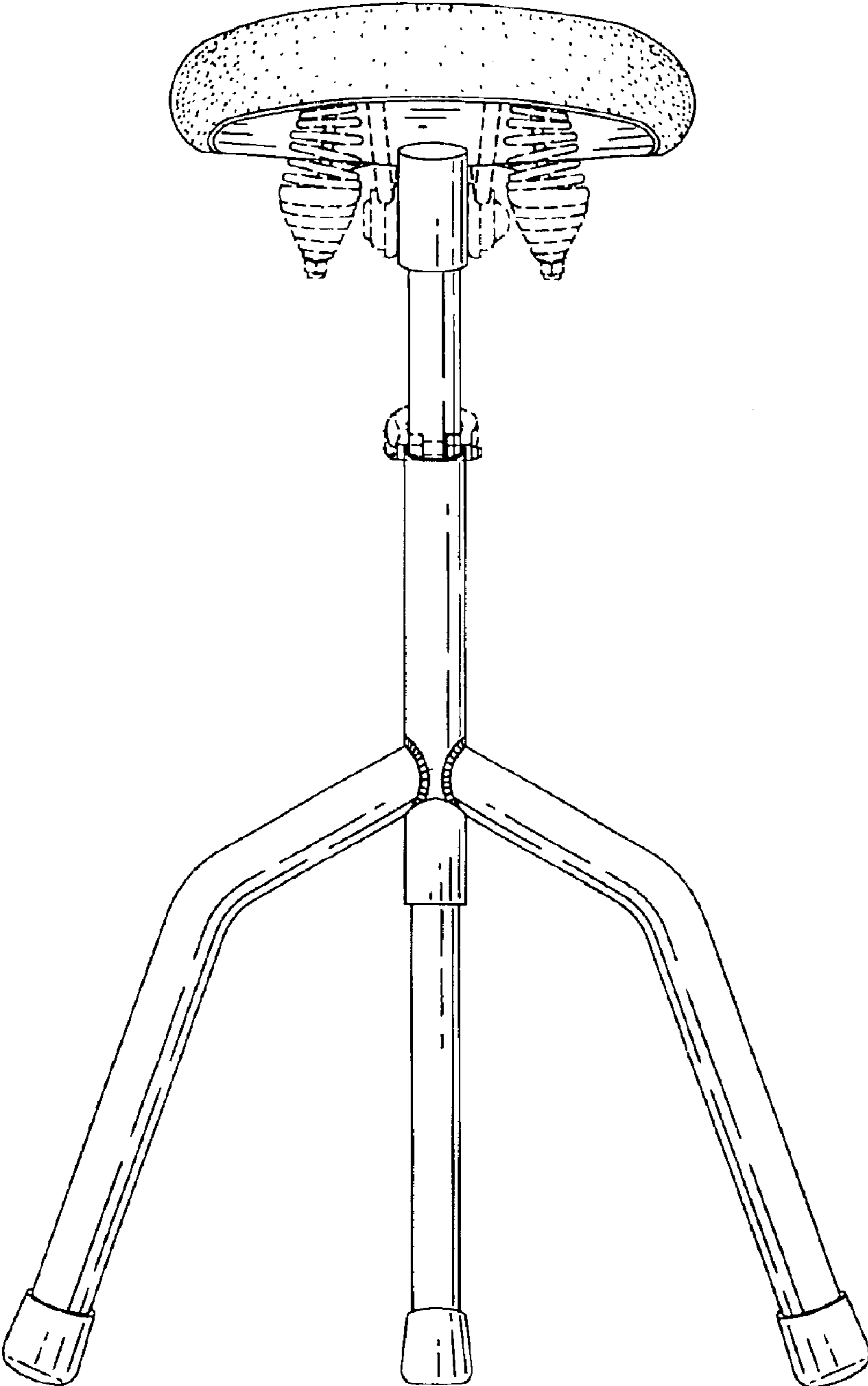


Fig. 5

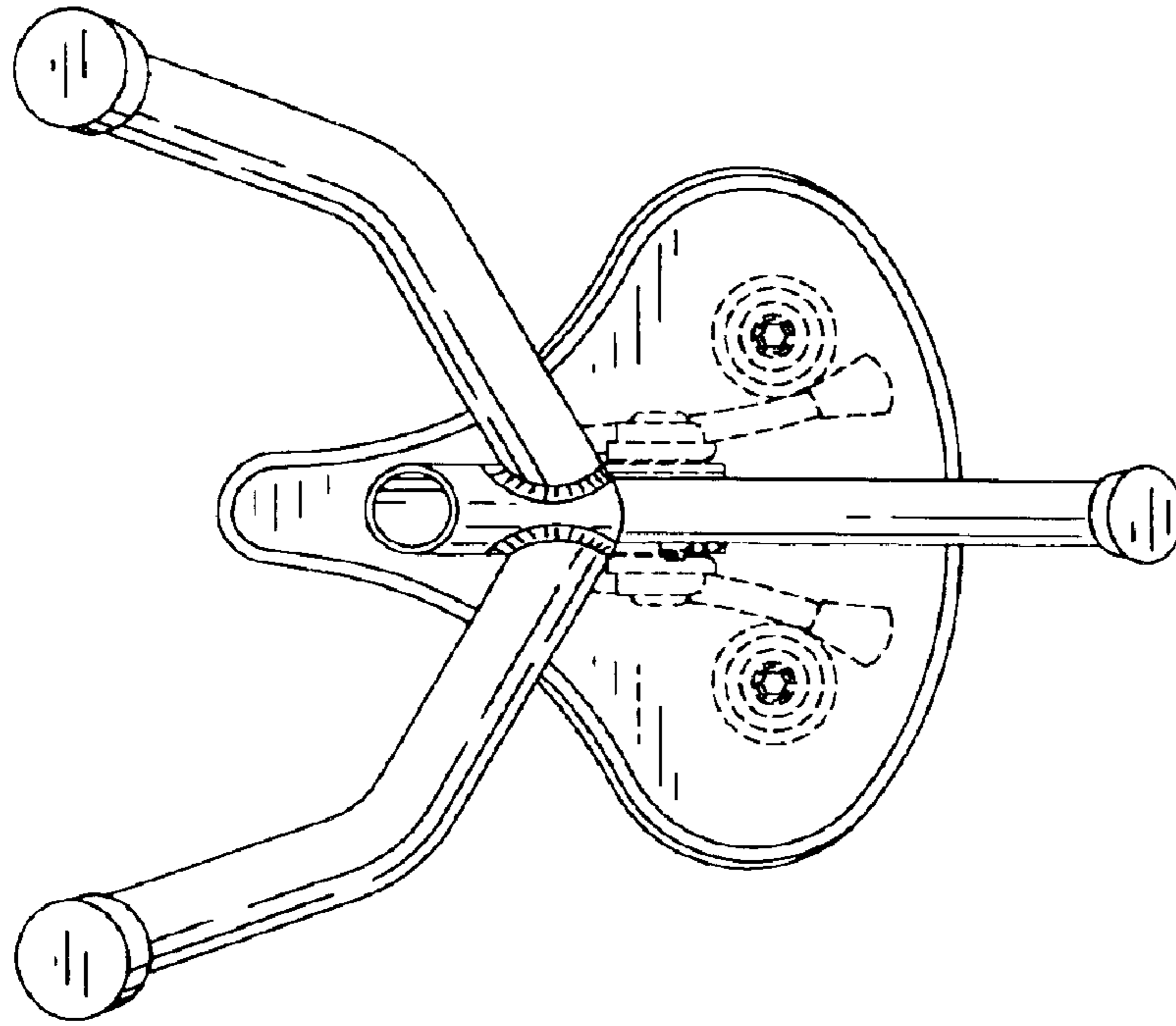


Fig. 6

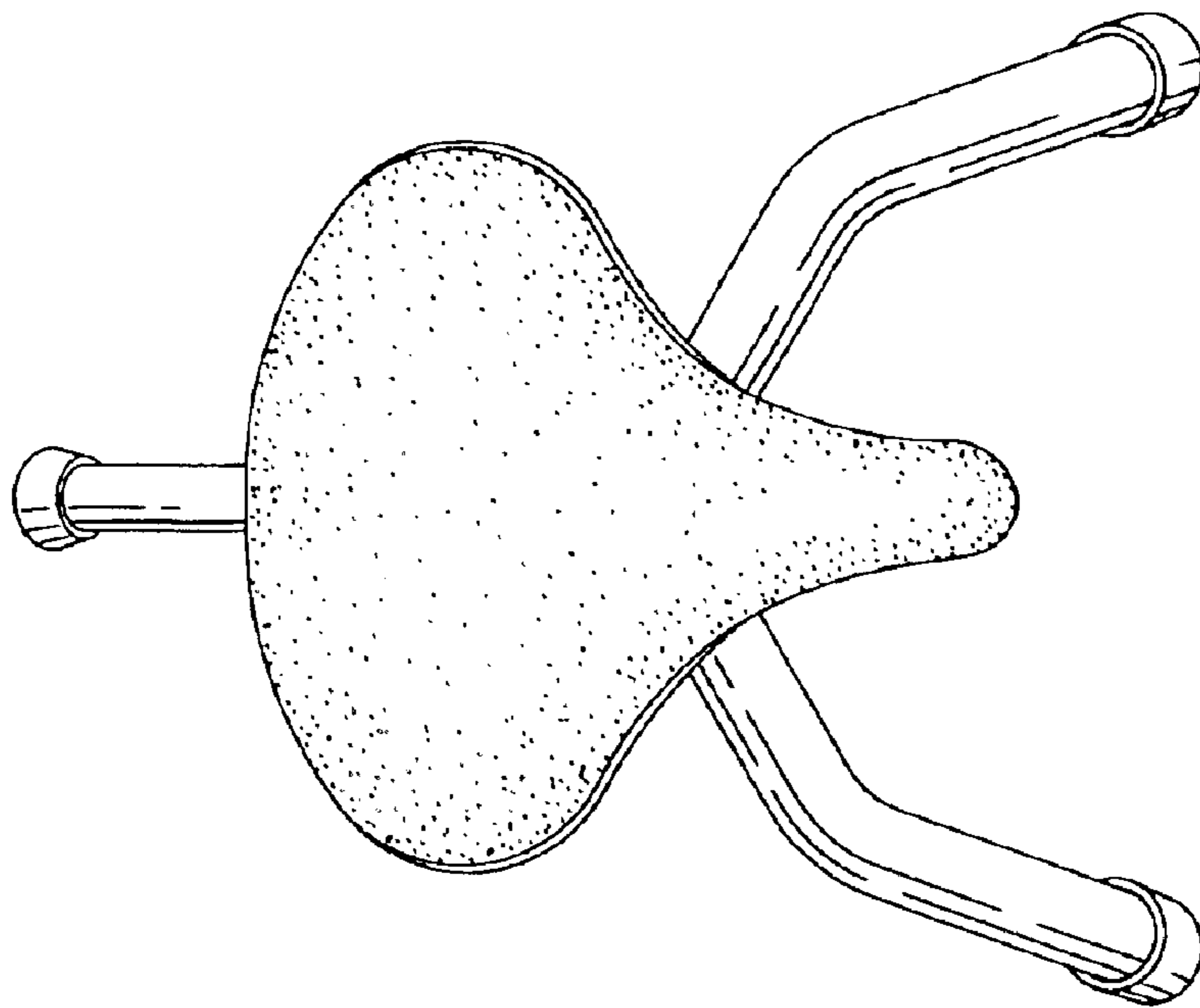


Fig. 8

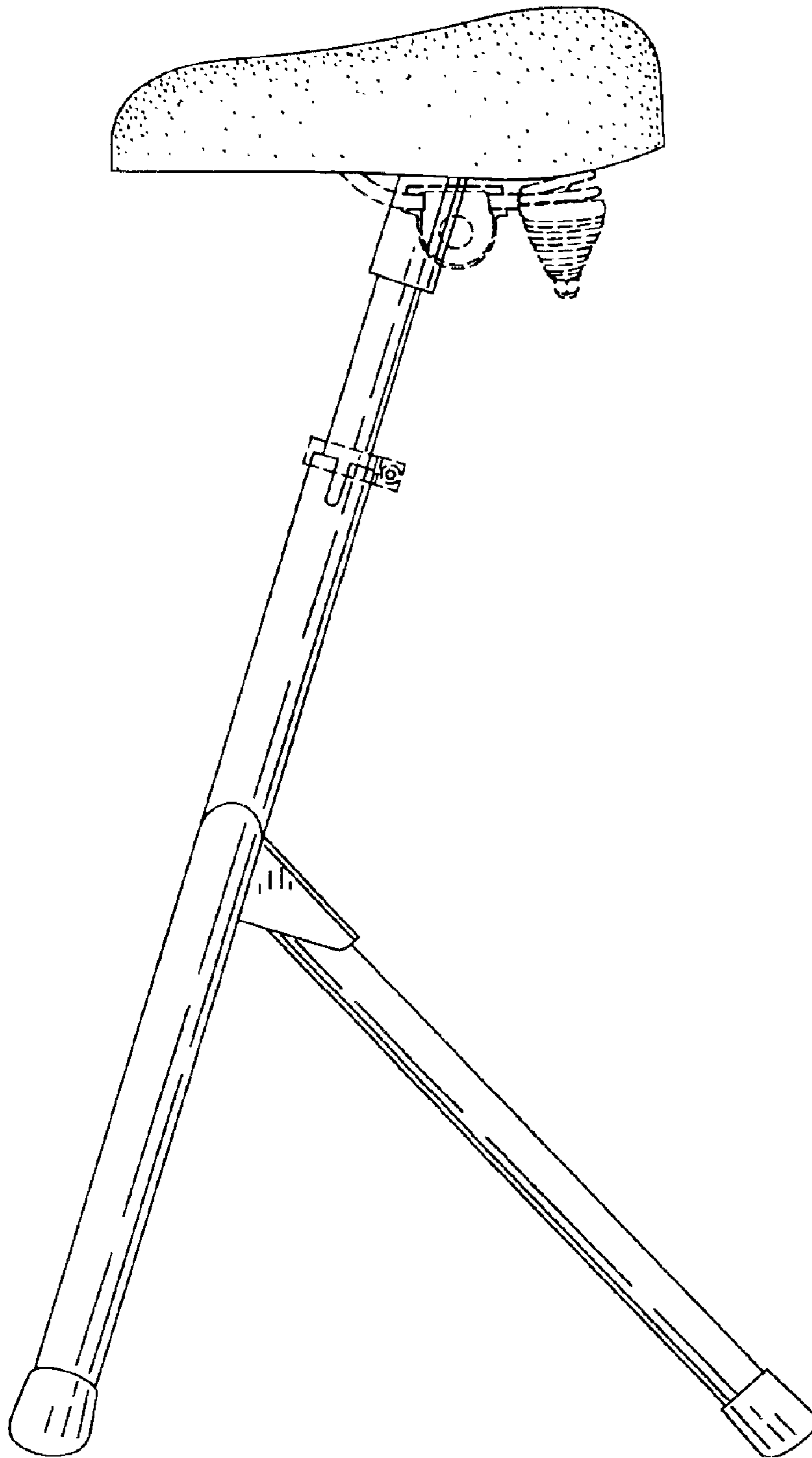


Fig. 7