

US00D509064S

(12) **United States Design Patent** (10) **Patent No.:** **US D509,064 S**
Wittmer (45) **Date of Patent:** **** Sep. 6, 2005**

(54) **TRUNK LID**

(76) Inventor: **Larry Wittmer**, R.R.1 Box 450,
Montgomery, IN (US) 47558

(**) Term: **14 Years**

(21) Appl. No.: **29/188,204**

(22) Filed: **Aug. 14, 2003**

(51) **LOC (8) Cl.** **03-99**

(52) **U.S. Cl.** **D3/321**

(58) **Field of Search** D3/321, 272, 273,
D3/276, 280, 288, 292; 190/19, 23, 25,
30

Book entitled "Trunks, Traveling Bags, Sample Trunks, . . . and Cases" Catalog D, by H.W. Rountree & Bros. Trunk and Bag Company, pp. 15, 26, 27, 64 & 71.*

* cited by examiner

Primary Examiner—Antoine Duval Davis

Assistant Examiner—Sandra Snapp

(74) *Attorney, Agent, or Firm*—Richard C. Litman

(57) **CLAIM**

The ornamental design for a trunk lid, as shown and described.

DESCRIPTION

FIG. 1 is an environmental perspective view of a trunk lid showing my new design;

FIG. 2 is a front elevational view, with the rear being a mirror image, thereof;

FIG. 3 is a right side elevational view, with the left side being a mirror image, thereof;

FIG. 4 is a top view thereof; and,

FIG. 5 is a bottom view thereof.

The broken line showing of the hardware, the leather straps, and the trunk body in FIG. 1 is for illustrative purposes only and forms no part of the claimed design.

(56) **References Cited**

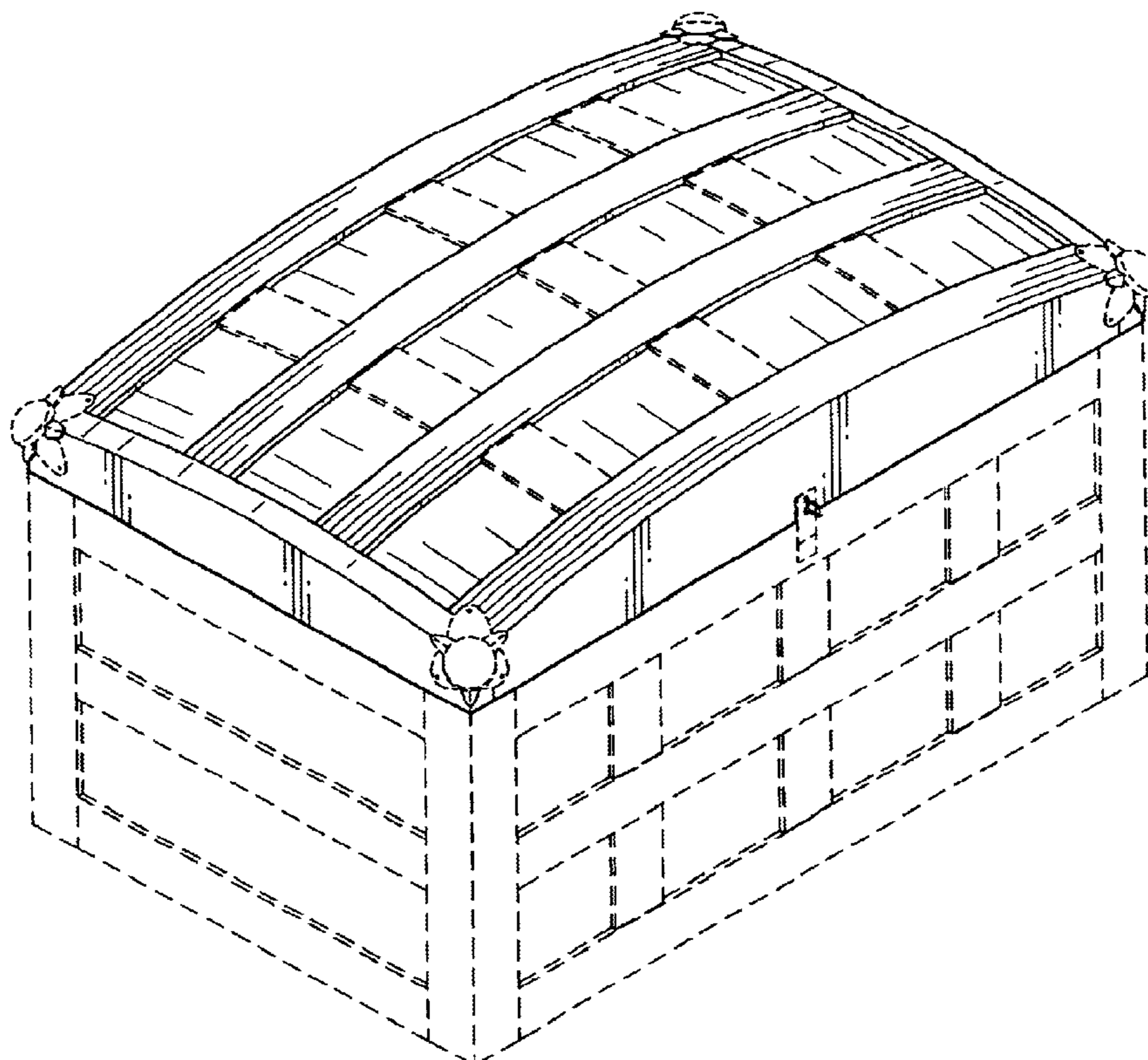
U.S. PATENT DOCUMENTS

76,193	A	*	3/1868	Horton	190/25
444,736	A	*	1/1891	Topham	190/25
544,070	A		6/1895	Phelan		
1,104,985	A	*	7/1914	Goldsmith	217/60 R
D317,676	S	*	6/1991	Wood et al.	D3/321
D328,676	S	*	8/1992	Miller	D6/440
D334,662	S		4/1993	van Berne		
D354,518	S		1/1995	Dietterich		
D439,405	S		3/2001	Veazey		

OTHER PUBLICATIONS

Book entitled "Trunks, Traveling Bags, and Satchels" Price Guide by Rosean Ettinger, 1998, Schiffer Publishing Ltd., pp. 30–40.*

1 Claim, 5 Drawing Sheets



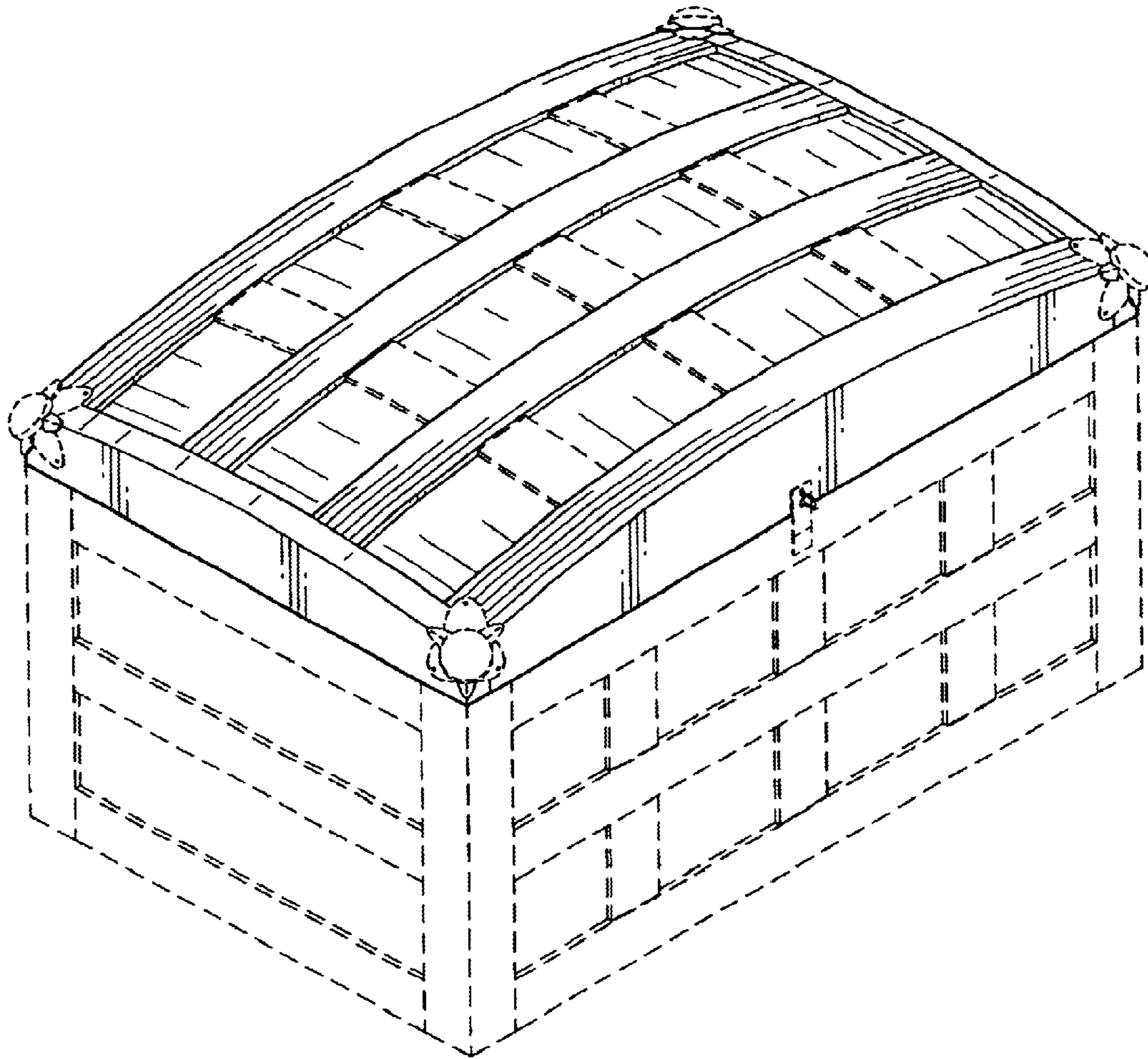


FIG. 1

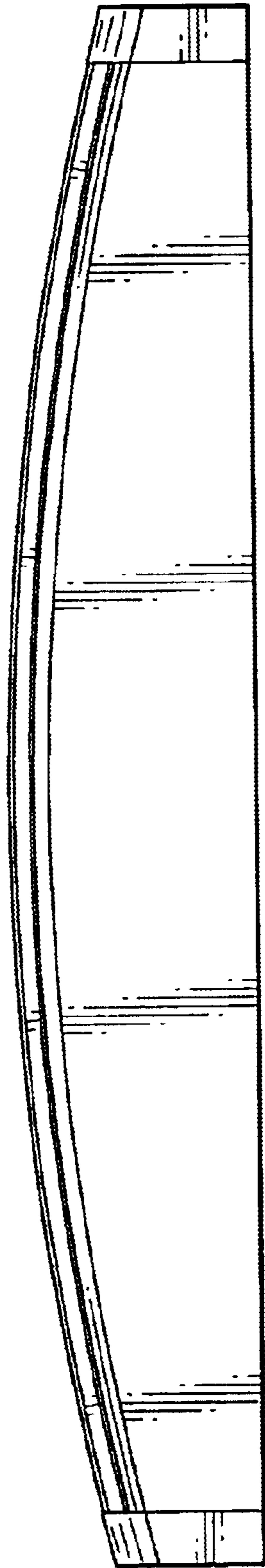


FIG. 2

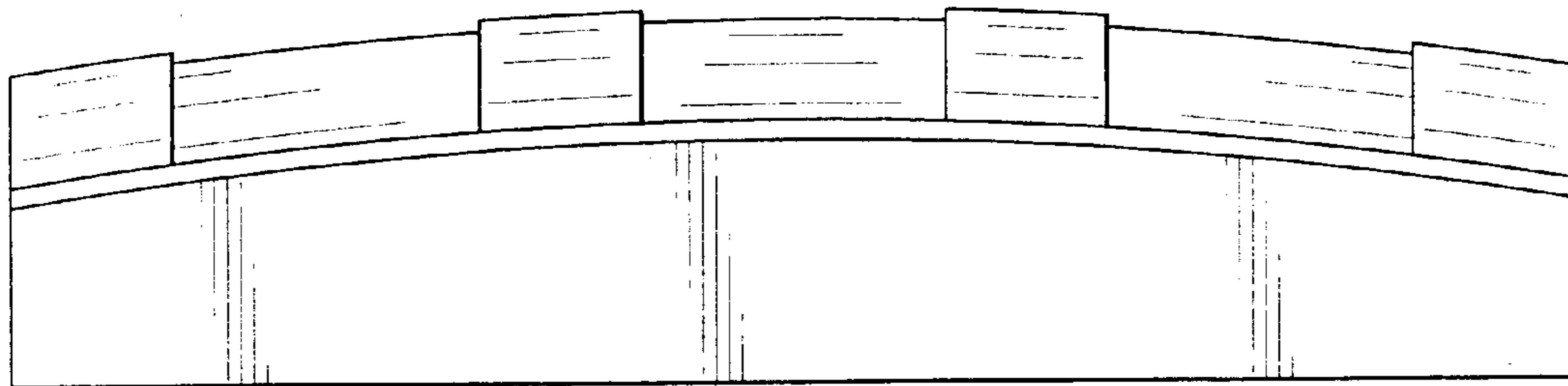


FIG. 3

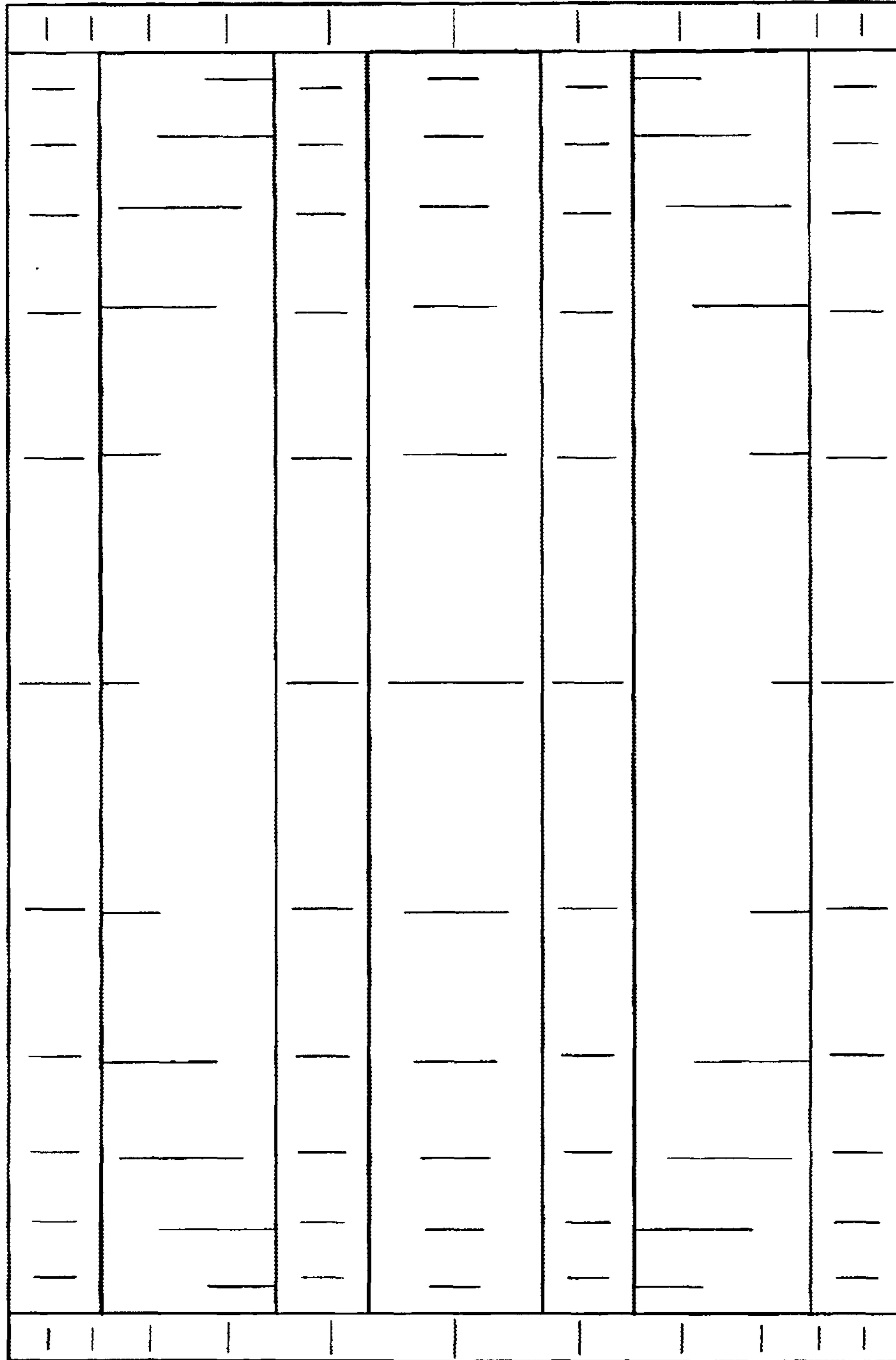


FIG. 4

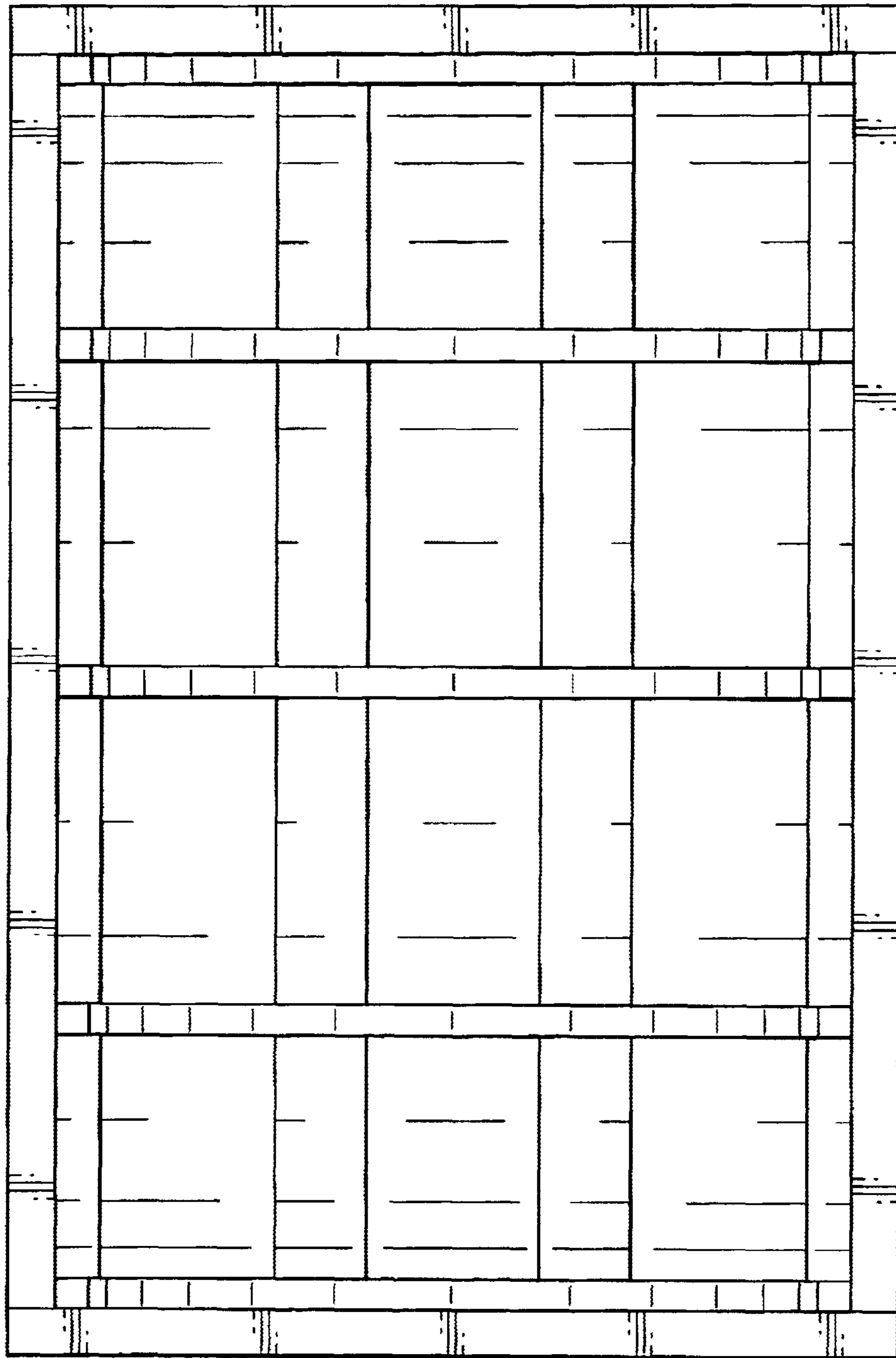


FIG. 5