

US00D509039S

(12) **United States Design Patent** (10) **Patent No.:** **US D509,039 S**  
**Peschmann et al.** (45) **Date of Patent:** **\*\* Aug. 30, 2005**

(54) **JACK MOUNT**

(75) Inventors: **Joseph J. Peschmann**, Plover, WI (US); **Kawa-She-Queen Wm. Okerlund**, Wittenberg, WI (US)

(73) Assignee: **Cequent Trailer Products, Inc.**, Mosinee, WI (US)

(\*\*) Term: **14 Years**

(21) Appl. No.: **29/176,156**

(22) Filed: **Feb. 19, 2003**

(51) **LOC (8) Cl.** ..... **12-05**

(52) **U.S. Cl.** ..... **D34/31**

(58) **Field of Search** ..... D34/28, 31, 35; 254/93 R, 1, 8 R, 2 R, 11, 12, 13, DIG. 8, 133 R; D12/197; D13/183

(56) **References Cited**

**U.S. PATENT DOCUMENTS**

987,523	A	*	3/1911	Willour	.....	254/118
2,054,211	A	*	9/1936	White	.....	254/133 R
3,863,894	A		2/1975	Mansi et al.		
D286,933	S	*	11/1986	Lymburner	.....	D34/31
4,997,203	A		3/1991	Jensen		
5,282,605	A		2/1994	Sauber		
D425,281	S	*	5/2000	Ridge	.....	D34/31
D443,747	S	*	6/2001	Ridge	.....	D34/31
6,302,381	B1		10/2001	Roll		
6,581,913	B1	*	6/2003	Conomos et al.	.....	254/133 R

\* cited by examiner

*Primary Examiner*—Cynthia E. Ramirez

(74) *Attorney, Agent, or Firm*—Robert H. Earp, III; McDonald Hopkins Co., LPA

(57) **CLAIM**

The ornamental design for a jack mount, as shown and described.

**DESCRIPTION**

FIG. 1 is a perspective view as seen from the top, front, and left side of a first embodiment of the jack mount showing my new design;

FIG. 2 is a larger perspective view thereof;

FIG. 3 is a top plan view, the bottom plan view being a mirror image thereof;

FIG. 4 is a left side elevational view, the right side elevational view being a mirror image thereof;

FIG. 5 is a front elevational view thereof; and

FIG. 6 is a rear elevational view thereof.

FIG. 7 is a perspective view as seen from the top, front, and left side of a second embodiment of the jack mount showing my new design;

FIG. 8 is a larger perspective view thereof;

FIG. 9 is a top plan view, the bottom plan view being a mirror image thereof;

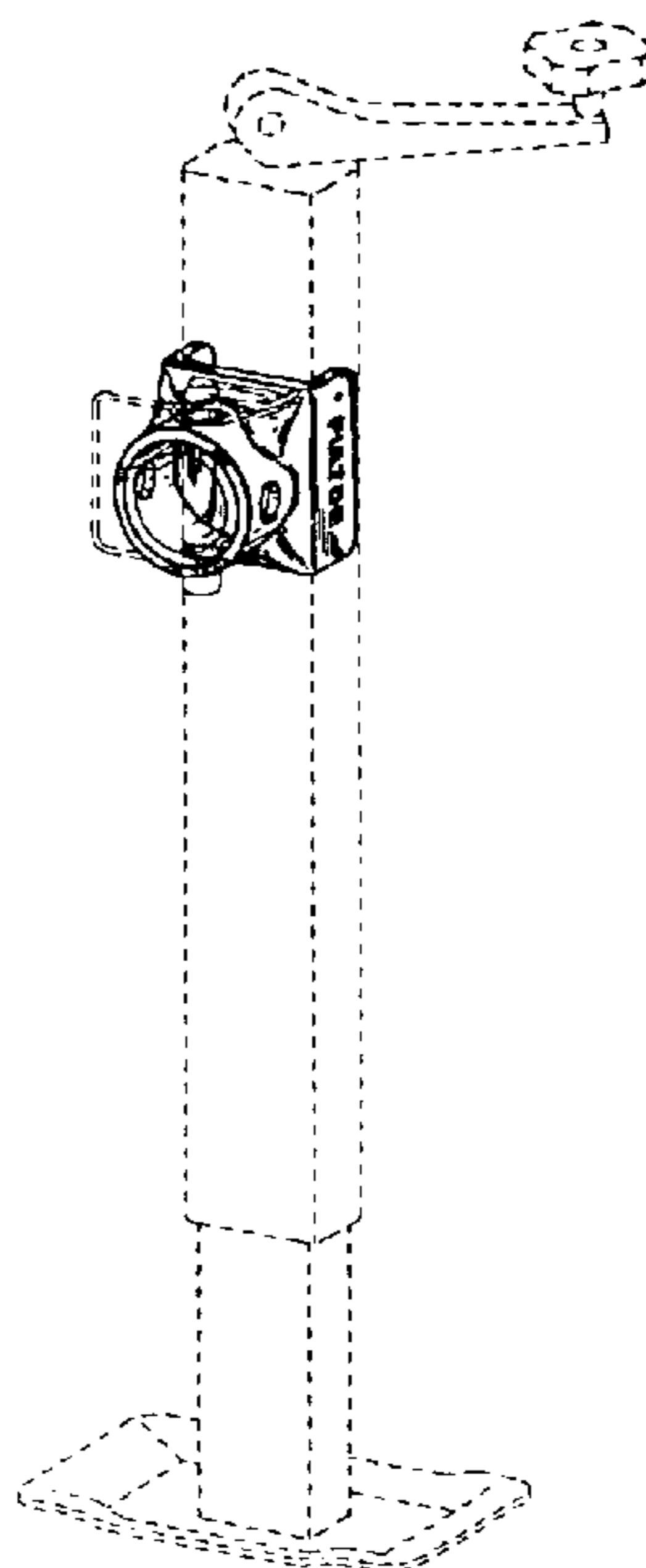
FIG. 10 is a left side elevational view, the right side elevational view being a mirror image thereof;

FIG. 11 is a front elevational view thereof; and,

FIG. 12 is a rear elevational view thereof.

The first embodiment showing broken lines for a jack member (FIG. 1), a locking pin and sleeve (FIGS. 1 and 2), a locking bar (FIGS. 1 and 2), and a chain retention aperture (FIGS. 1, 2, and 3) are used for illustrative purposes only and form no part of the claimed design. The second embodiment showing broken lines for a jack member (FIG. 7), a locking pin and sleeve (FIGS. 7 and 8), a locking bar (FIGS. 7 and 8), a chain retention aperture (FIGS. 7 and 8), and source-identifying indicia (FIGS. 7 and 8) are used for illustrative purposes only and form no part of the claimed design.

**1 Claim, 2 Drawing Sheets**



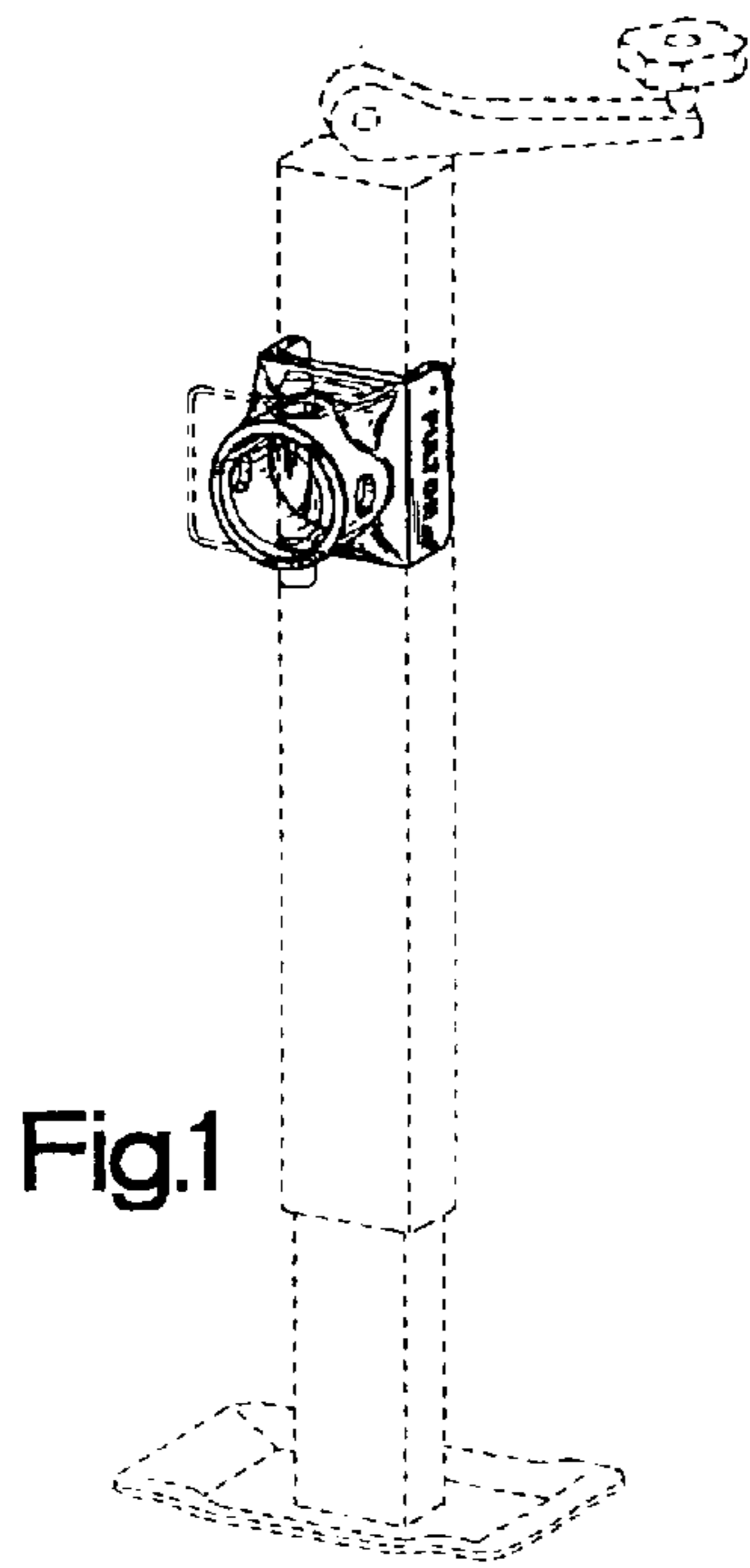


Fig.1

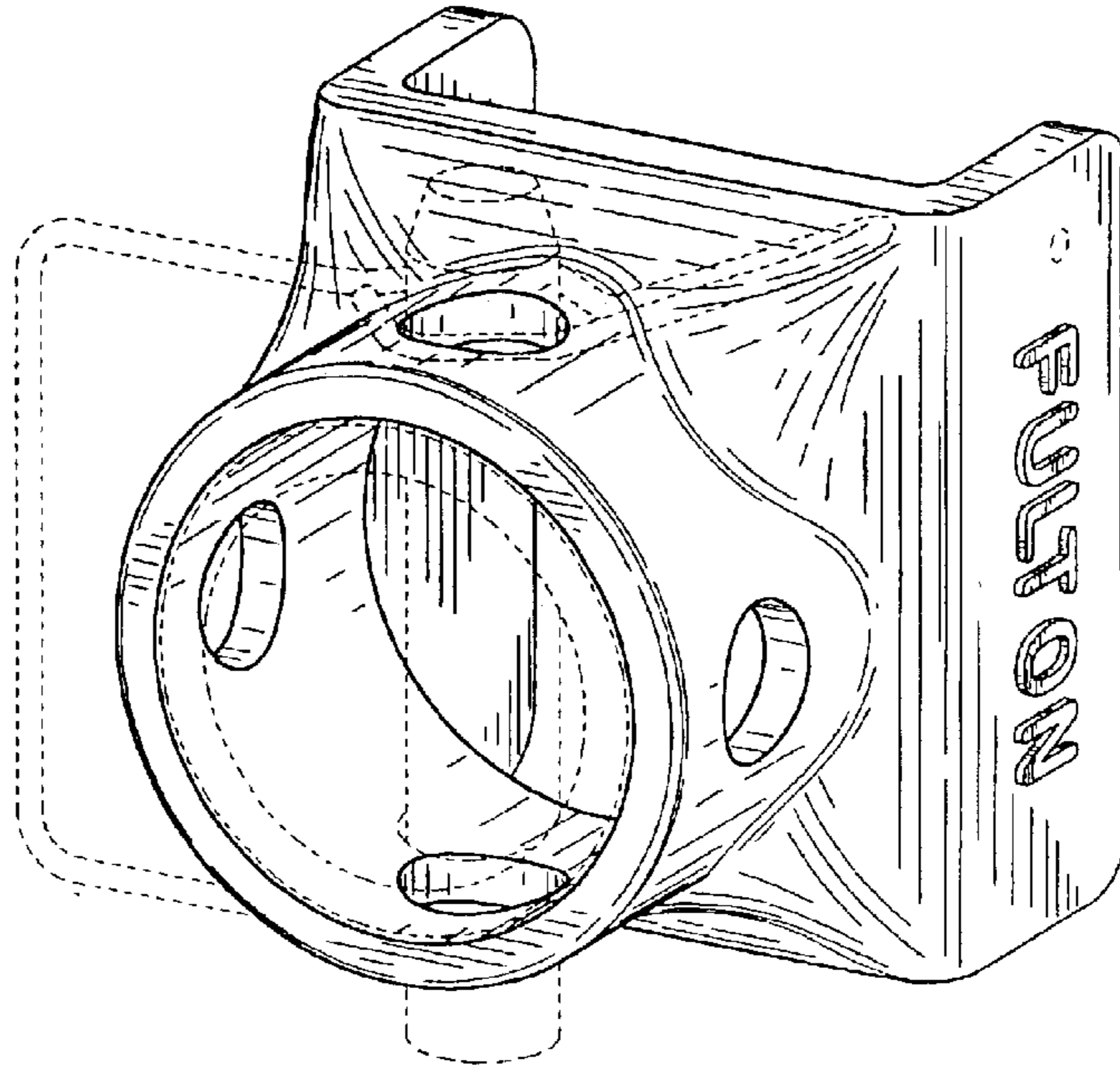


Fig.2

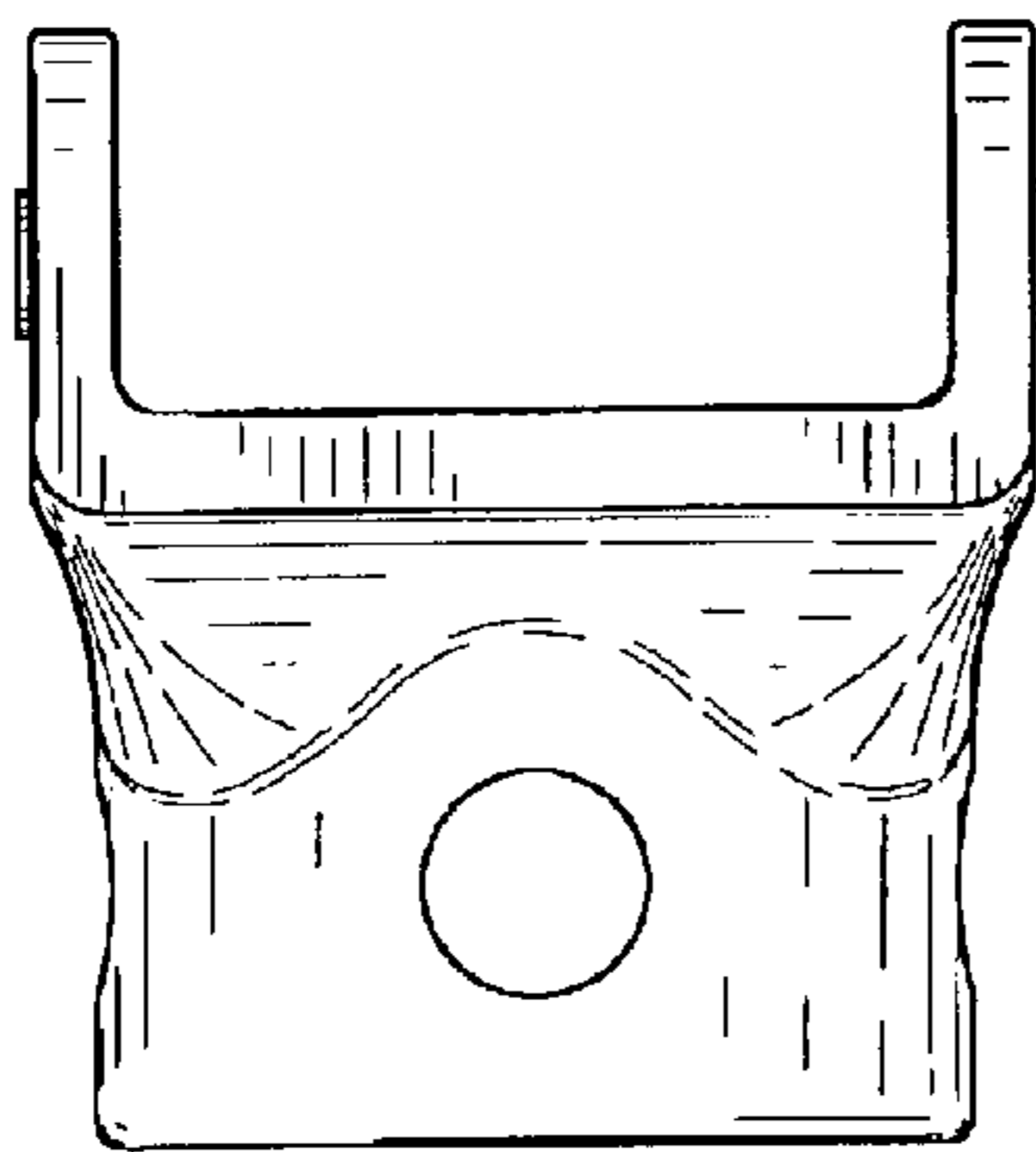


Fig.3

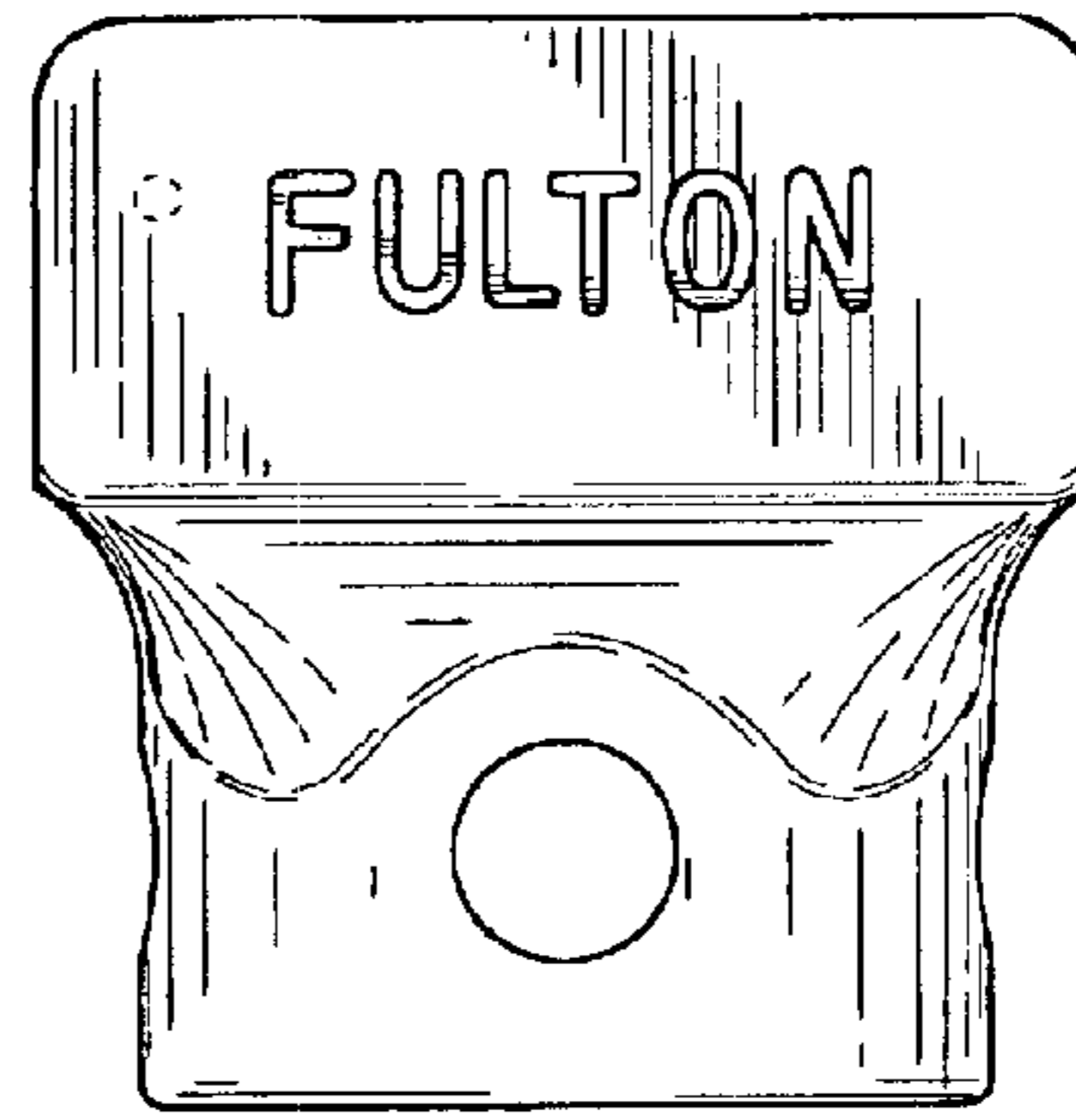


Fig.4

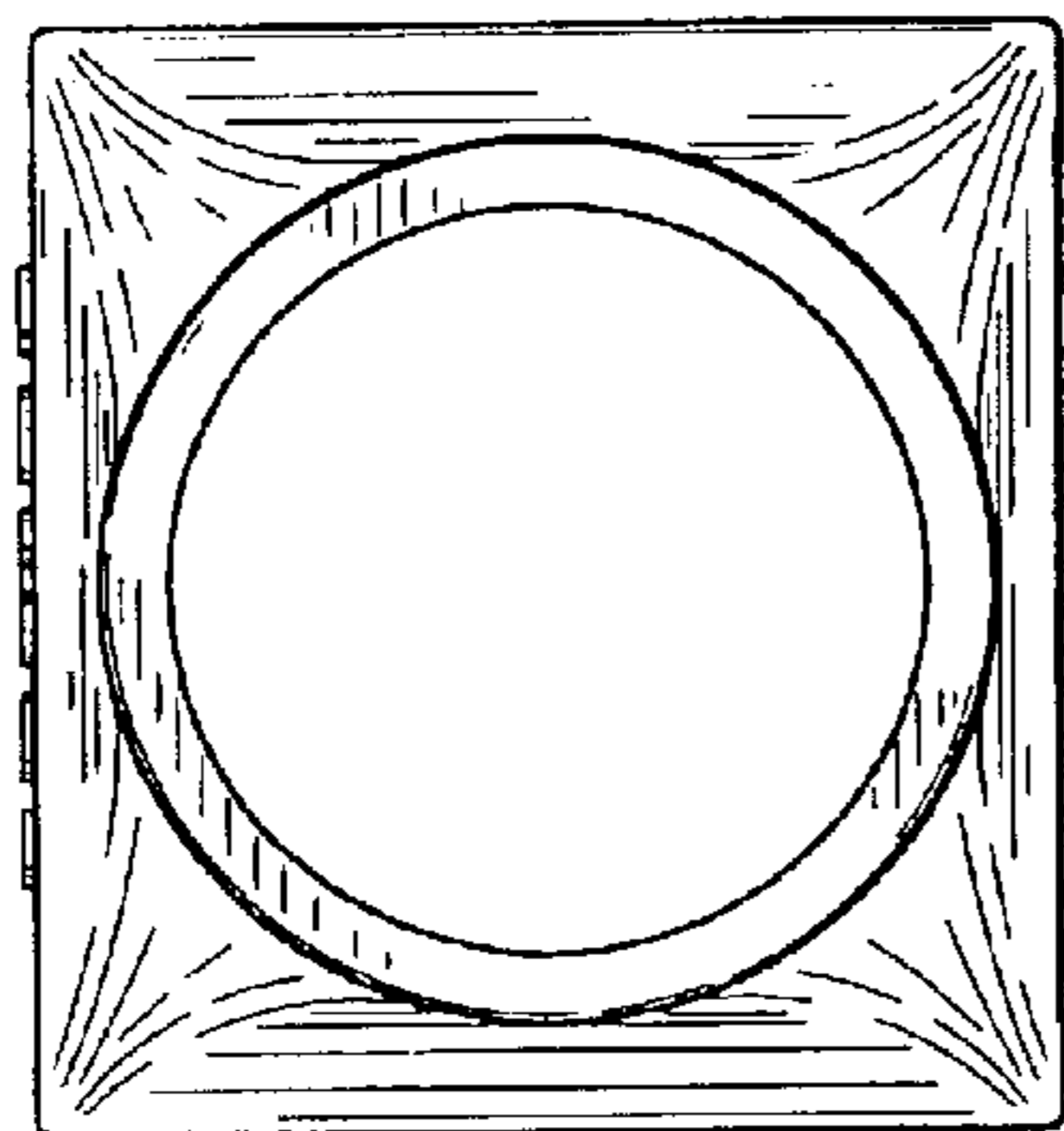


Fig.5

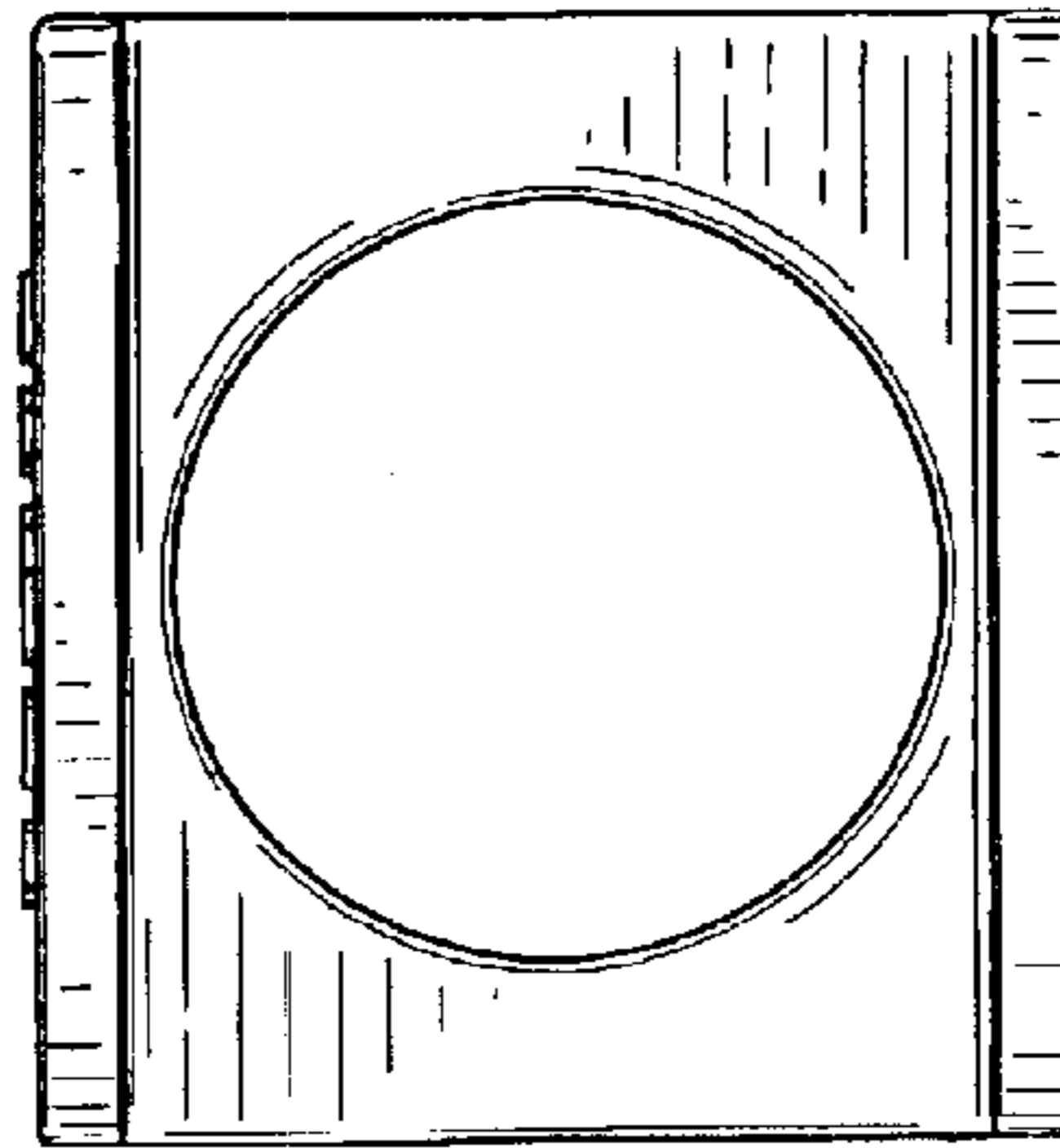


Fig.6

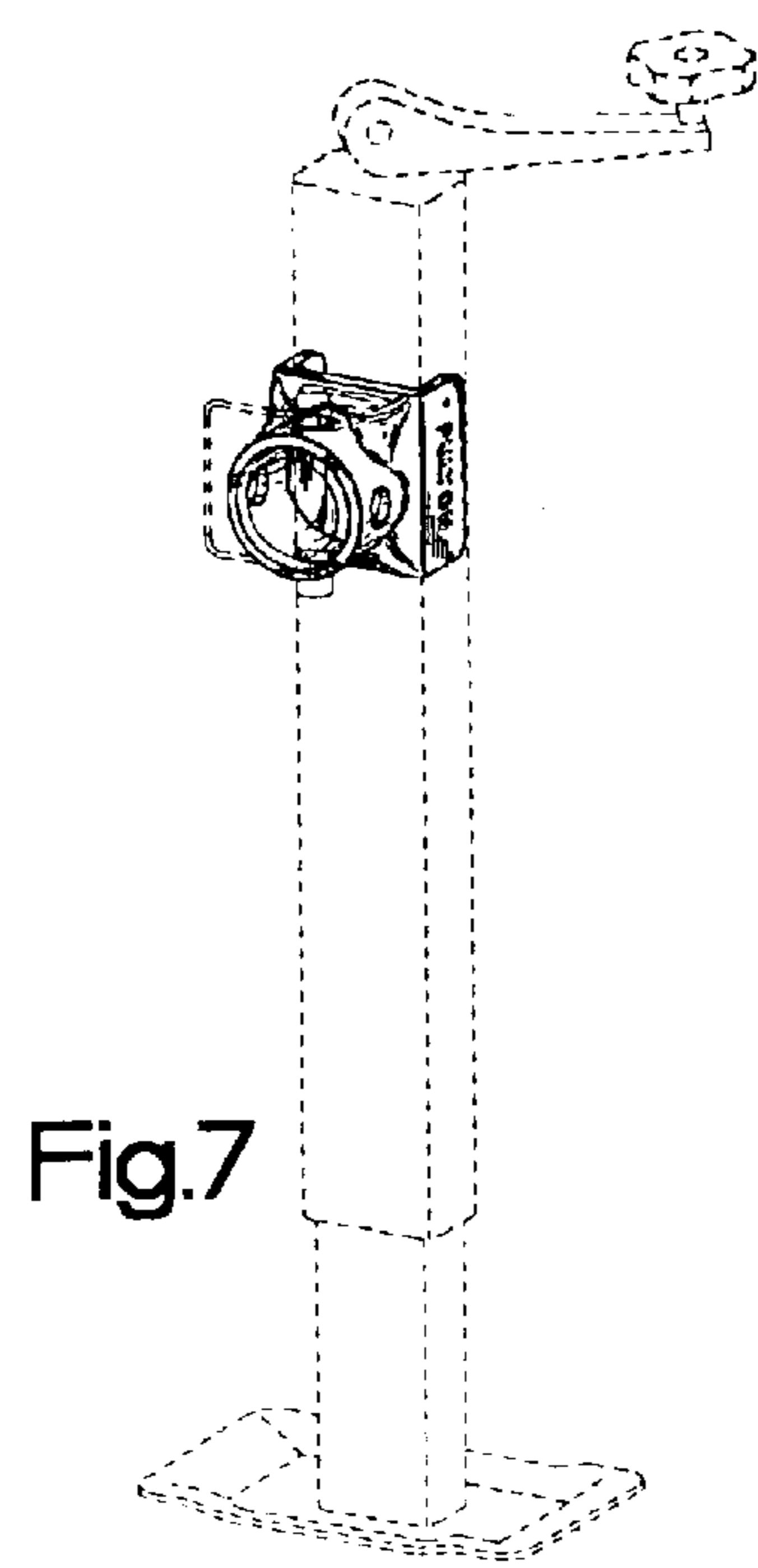


Fig.7

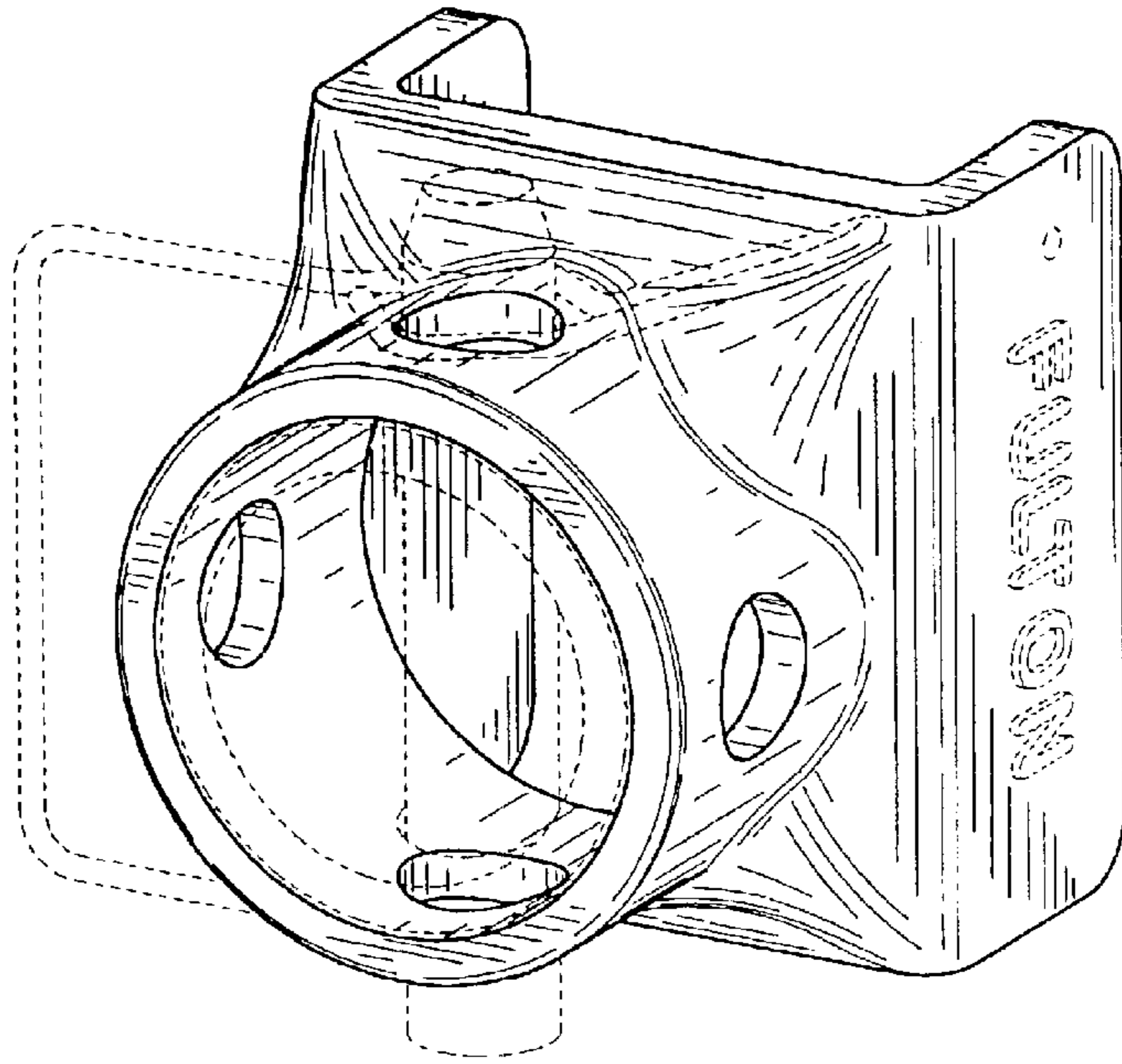


Fig.8

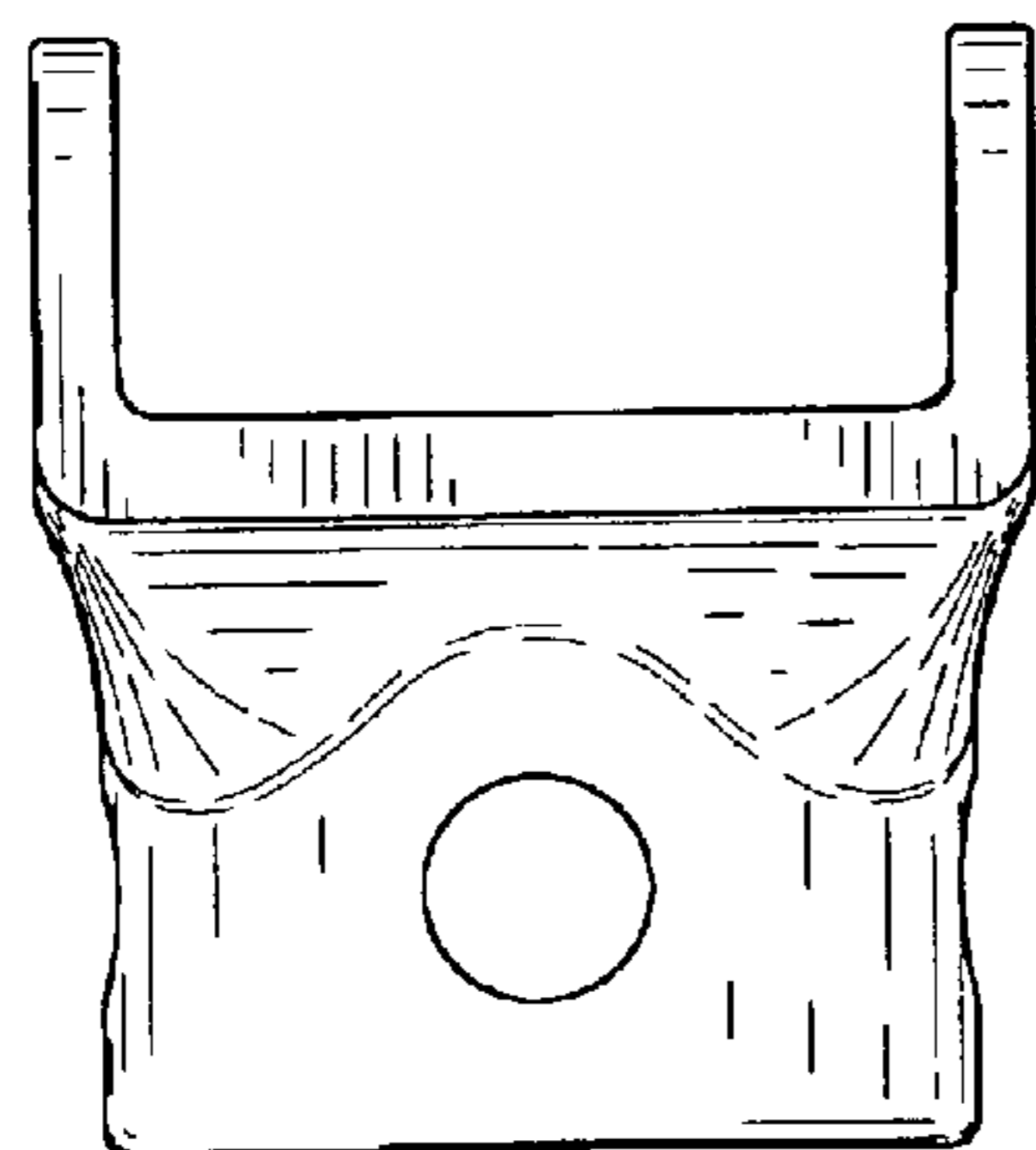


Fig.9

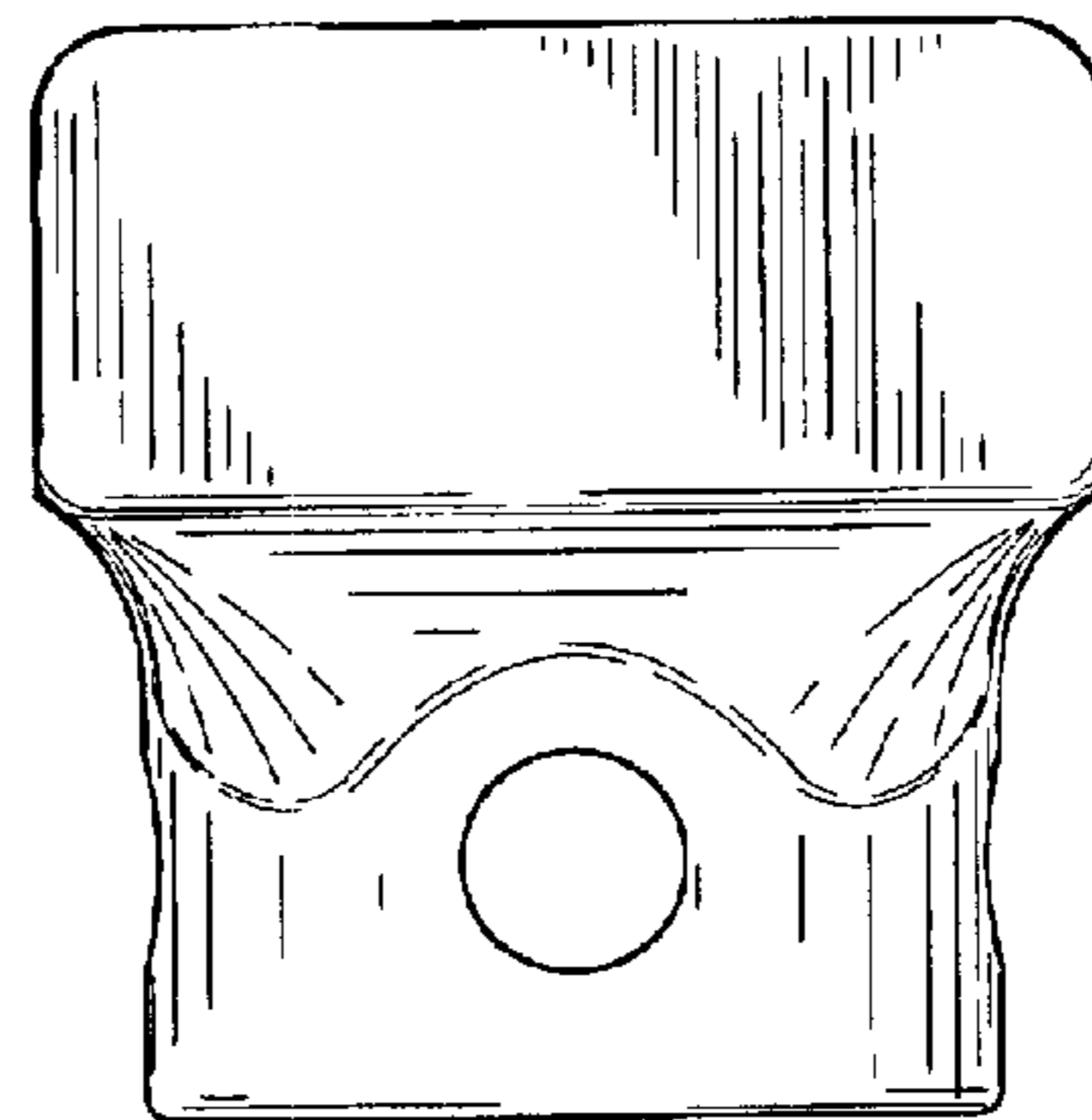


Fig.10

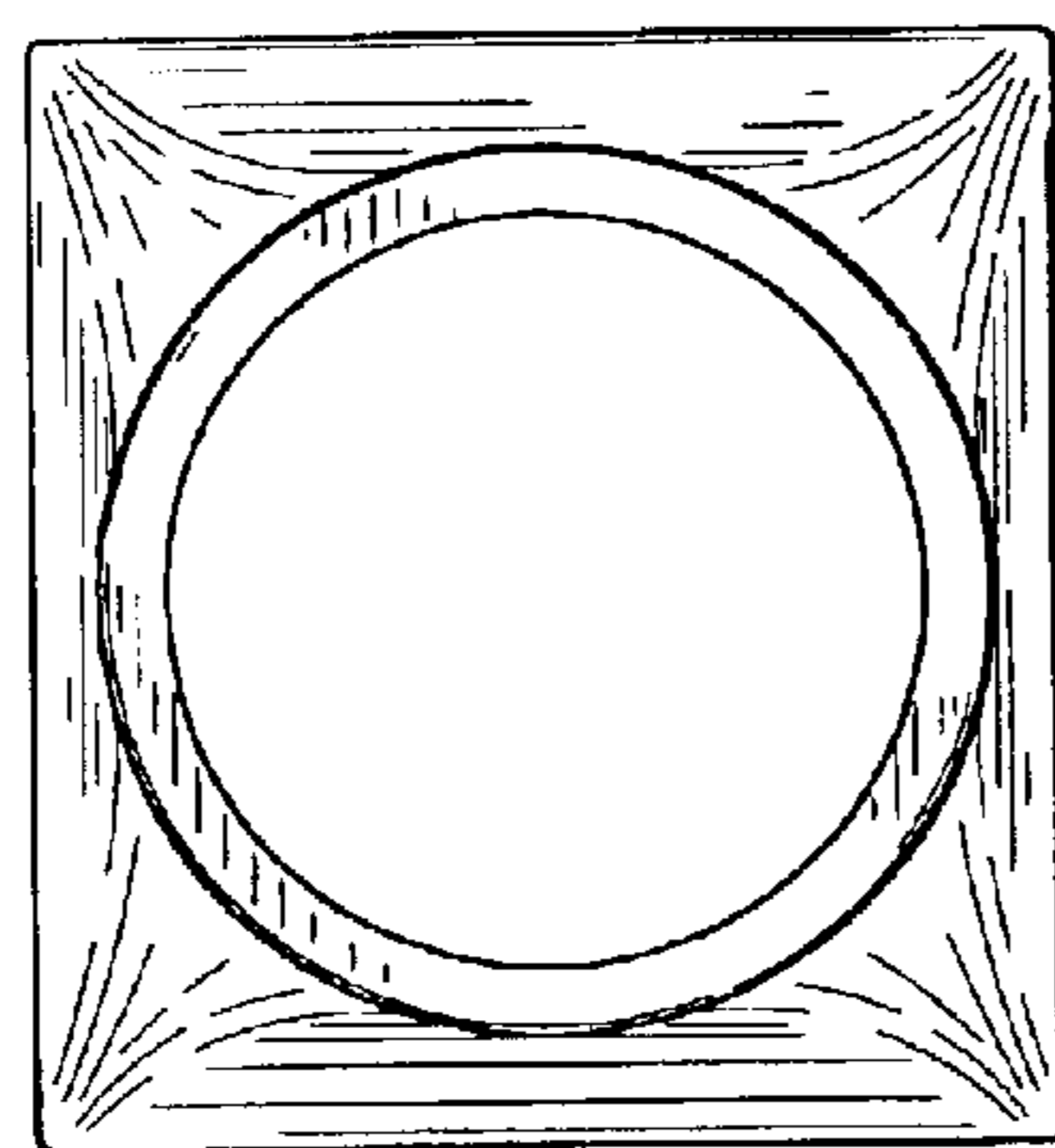


Fig.11

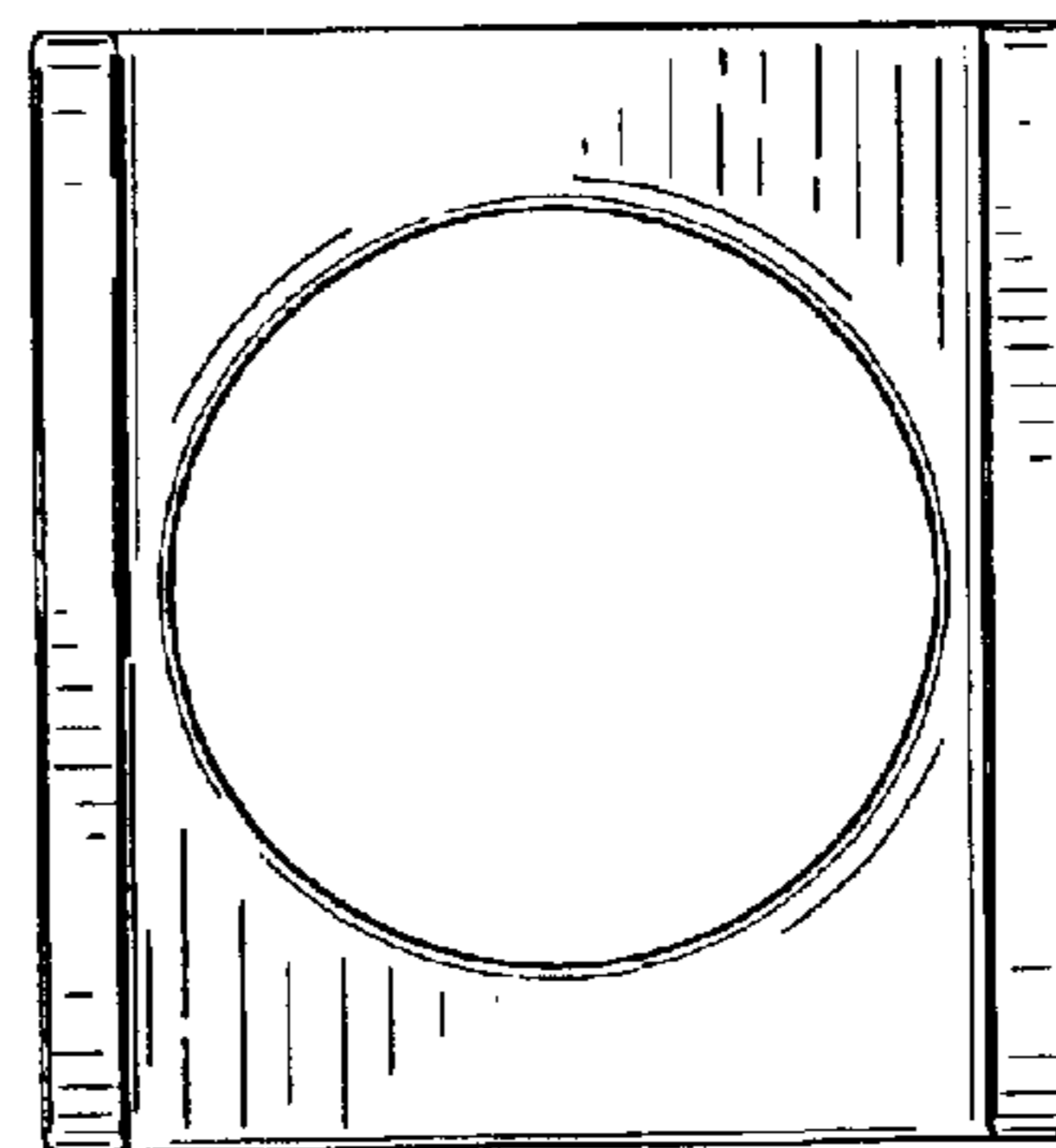


Fig.12