

US00D509032S

(12) **United States Design Patent**
Dunn et al.

(10) **Patent No.: US D509,032 S**

(45) **Date of Patent: ** Aug. 30, 2005**

(54) **PET GROOMING TOOL**

(75) Inventors: **Steven B. Dunn**, Beverly Hills, CA (US); **Bryce D. Fujii**, Canoga Park, CA (US); **Kevin C. Clark**, Los Angeles, CA (US); **Charles Davis**, Torrance, CA (US); **Zoltan Pavlakovich**, San Pedro, CA (US)

(73) Assignee: **Munchkin, Inc.**, Van Nuys, CA (US)

(**) Term: **14 Years**

(21) Appl. No.: **29/200,516**

(22) Filed: **Feb. 27, 2004**

(51) **LOC (8) Cl. 30-99**

(52) **U.S. Cl. D30/158; D4/138**

(58) **Field of Search** D30/158-159; D4/138, 132, 133-37, 100-2, 122, 127, 119, 199; D8/106-7; 401/28; 132/120-21, 150, 152, 147-48; 119/600-601, 605-606, 611-619, 625, 630, 632-633; 15/50.1-50.3, 55, 57, 71, 77, 79.1, 104.002, 105-106, 143.1; 19/98

(56) **References Cited**

U.S. PATENT DOCUMENTS

106,680 A	*	8/1870	Firey	132/120
115,488 A	*	5/1871	Lanston	132/120
304,728 A		9/1884	Hellwig	
591,273 A		10/1897	Griffey	
592,445 A		10/1897	Rees	
707,563 A		8/1902	Durgin	
761,664 A		6/1904	Durgin	
792,013 A		6/1905	Flemming	
862,918 A		8/1907	Howard	

957,781 A		8/1910	Jones	
1,025,793 A		5/1912	Endsley	
1,196,959 A		9/1916	Lewerenz	
1,366,762 A		1/1921	Ault	
1,388,955 A		8/1921	Kozlowsky et al.	
D159,361 S	*	7/1950	Nussbaum	D4/120
2,815,032 A		12/1957	Rosenfeld	
3,308,500 A		3/1967	Woodruff	
3,690,331 A		9/1972	Messer	
D268,225 S		3/1983	Ellenson	
D378,958 S	*	4/1997	Yu	D4/120
5,960,745 A	*	10/1999	Boyland	119/613
6,082,307 A		7/2000	Landreneau	
6,158,443 A		12/2000	Leman et al.	
6,427,633 B1		8/2002	Ogden	

* cited by examiner

Primary Examiner—Alan P. Douglas

Assistant Examiner—Susan M Lee

(74) *Attorney, Agent, or Firm*—Knoble Yoshida & Dunleavy, LLC

(57) **CLAIM**

An ornamental design for a pet grooming tool, as shown and described.

DESCRIPTION

FIG. 1 is a perspective view showing our new design;

FIG. 2 is a top plan view;

FIG. 3 is a bottom plan view;

FIG. 4 is a first side elevational view;

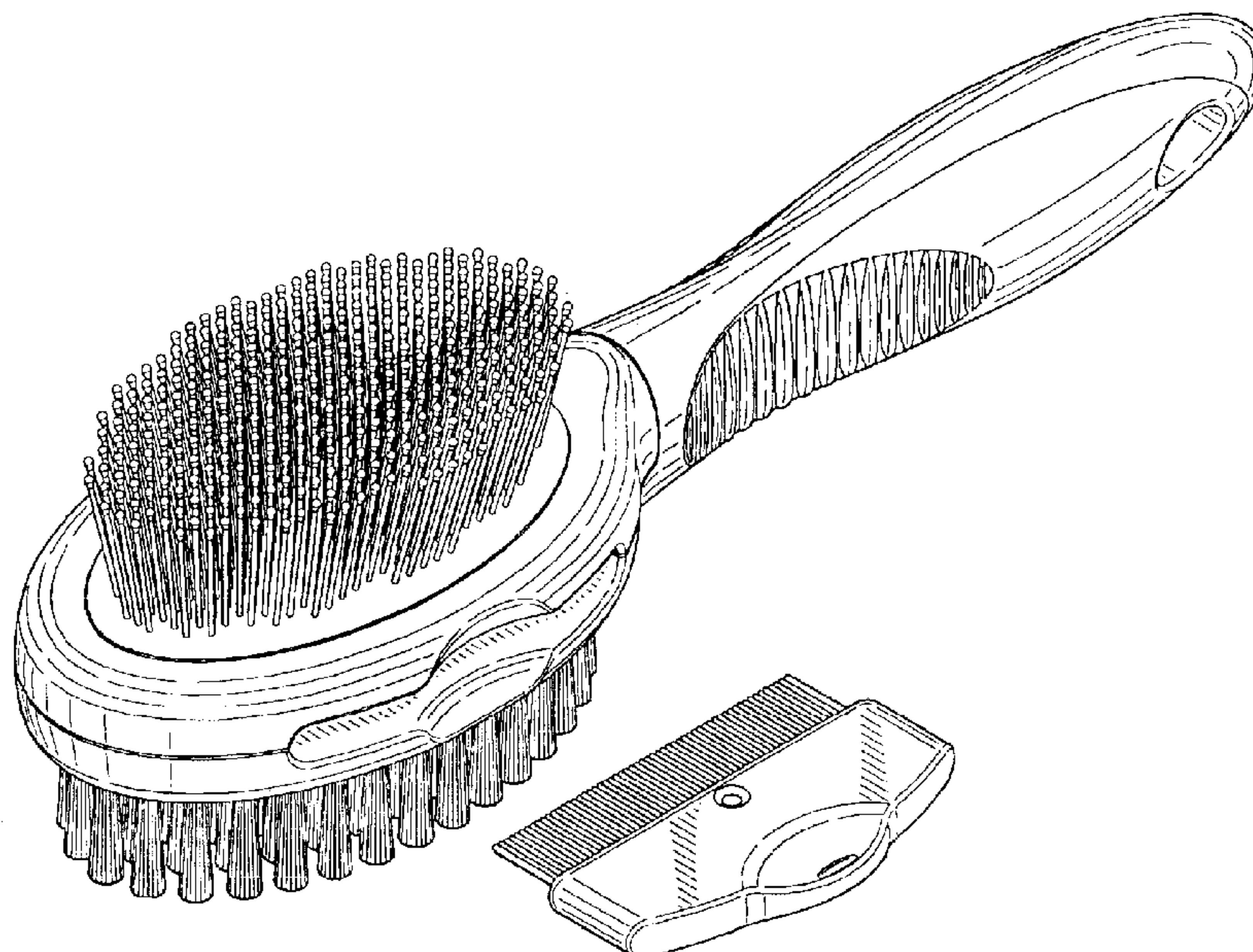
FIG. 5 is a second side elevational view;

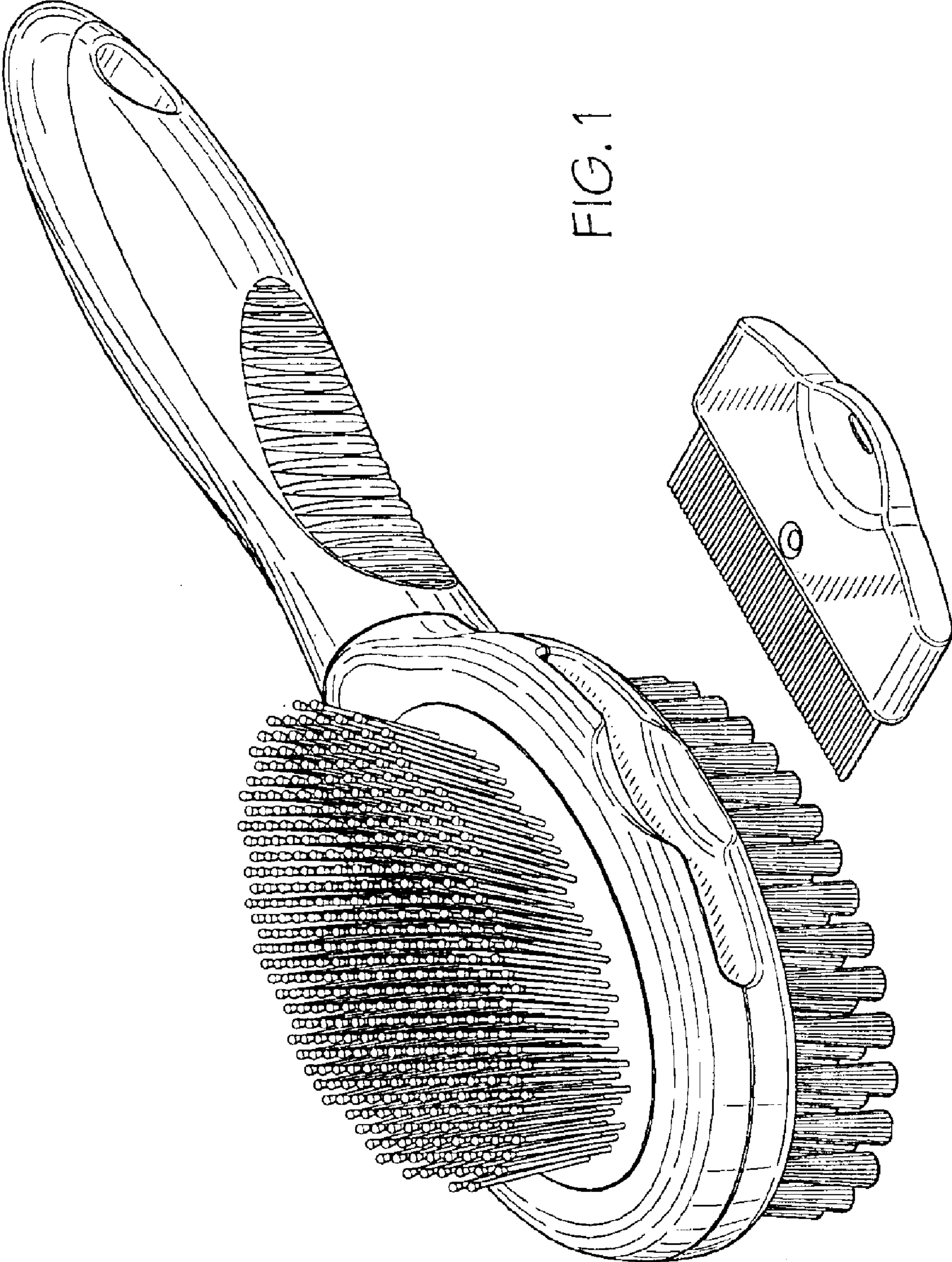
FIG. 6 is a front elevational view; and,

FIG. 7 is a rear elevational view.

Any broken lines denote probable environmental structure and are not part of the claimed design.

1 Claim, 7 Drawing Sheets





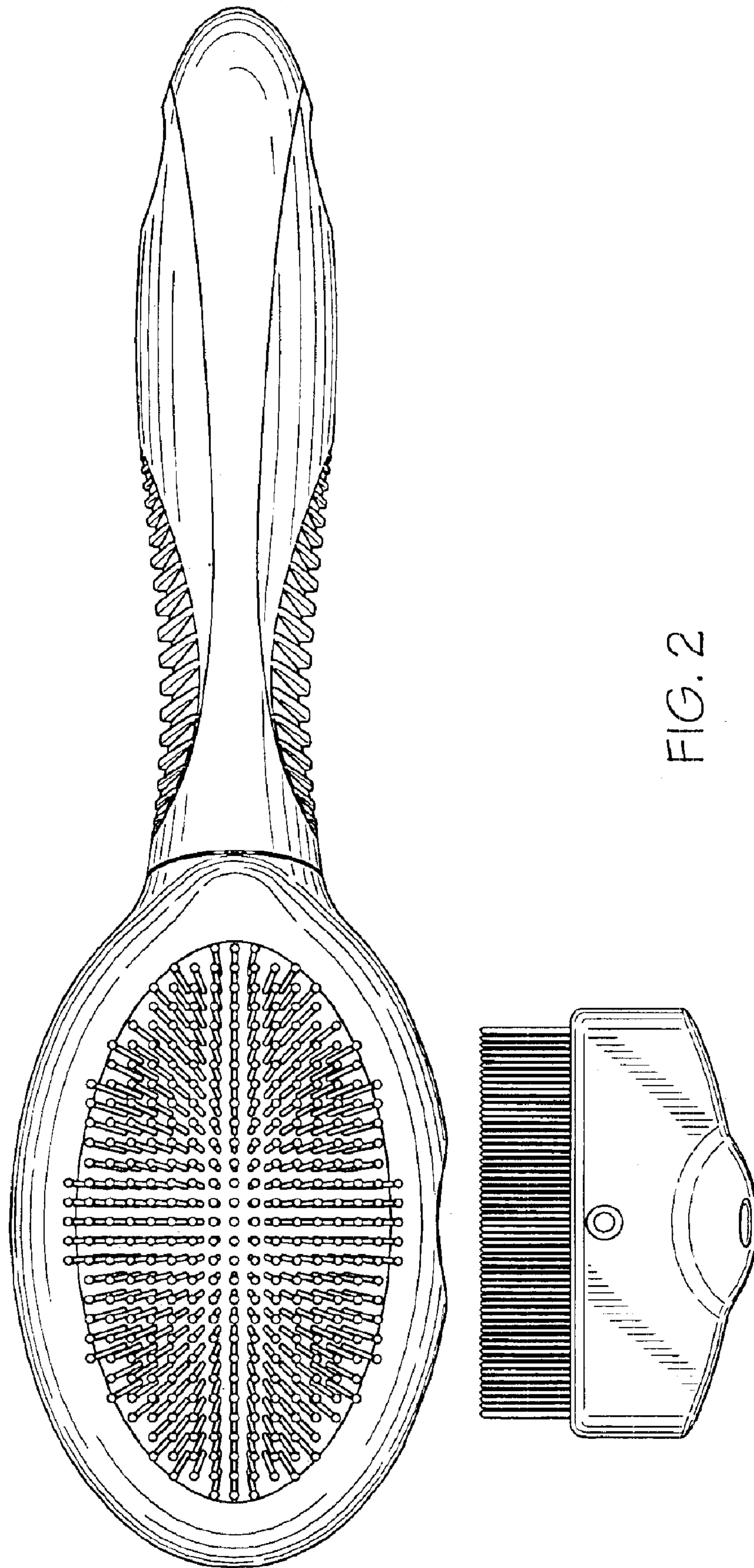


FIG. 2

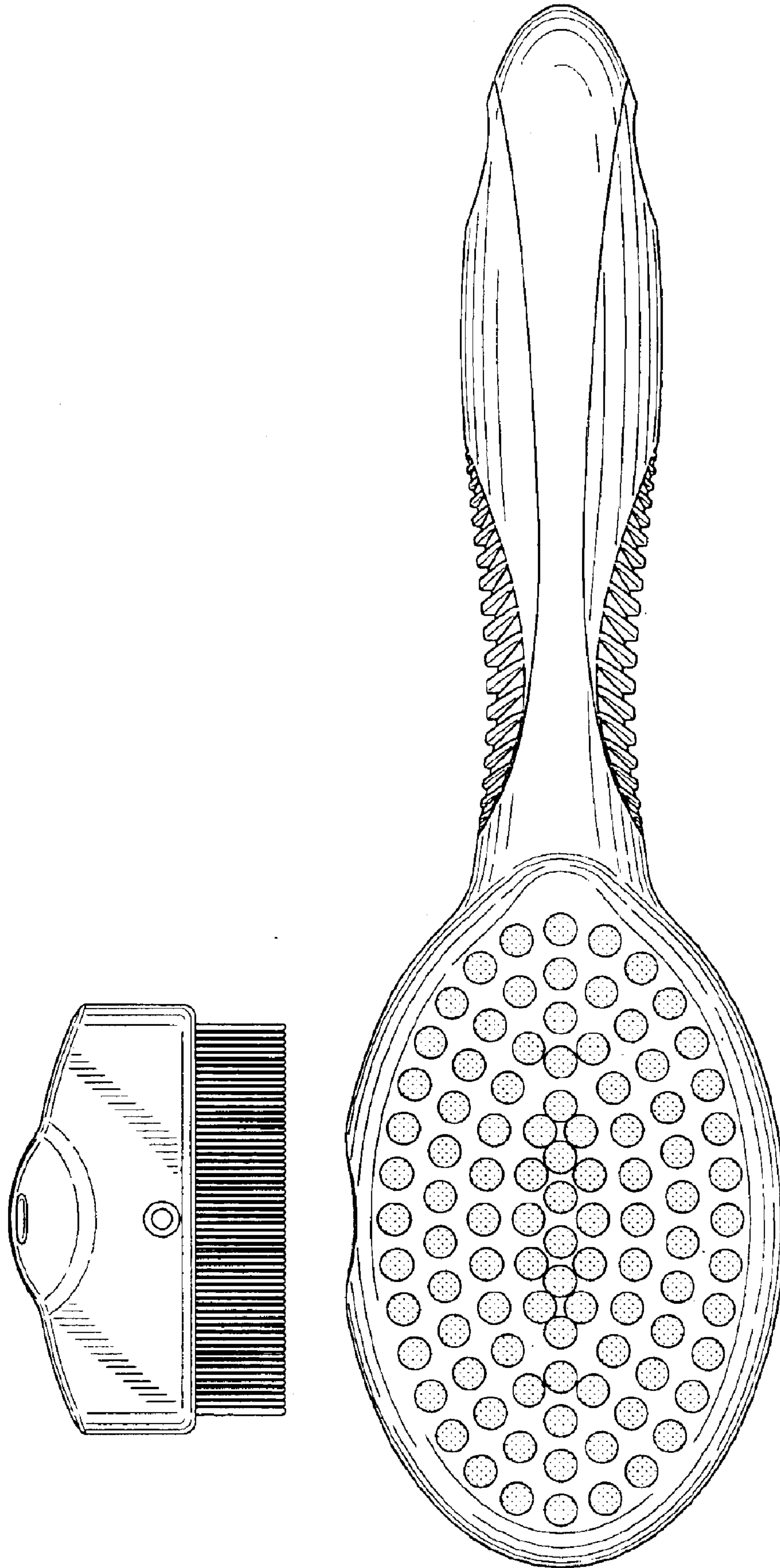


FIG. 3

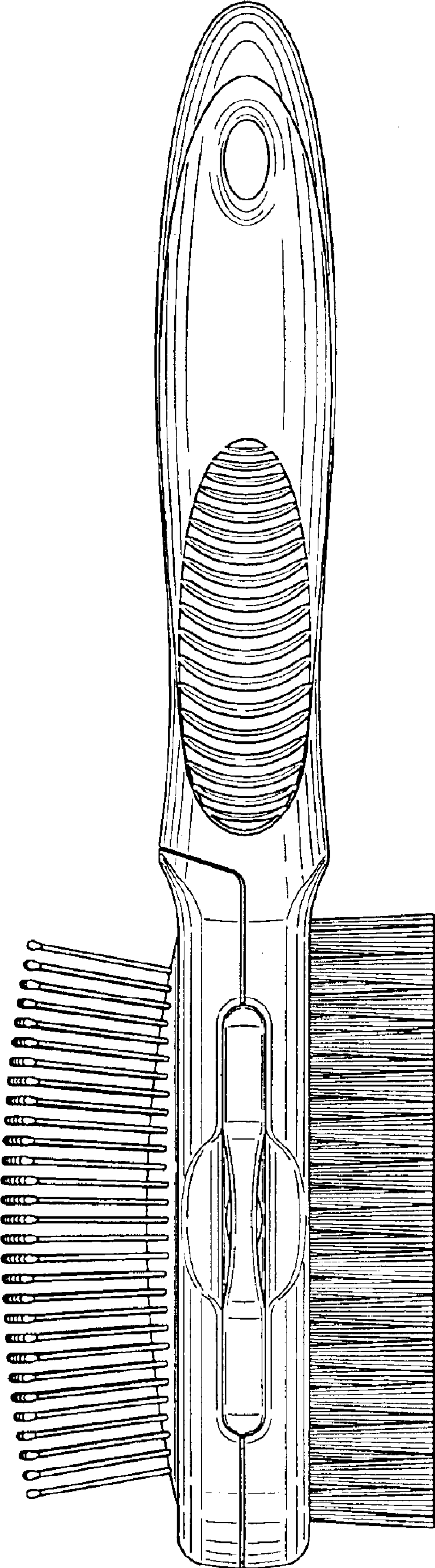


FIG. 4

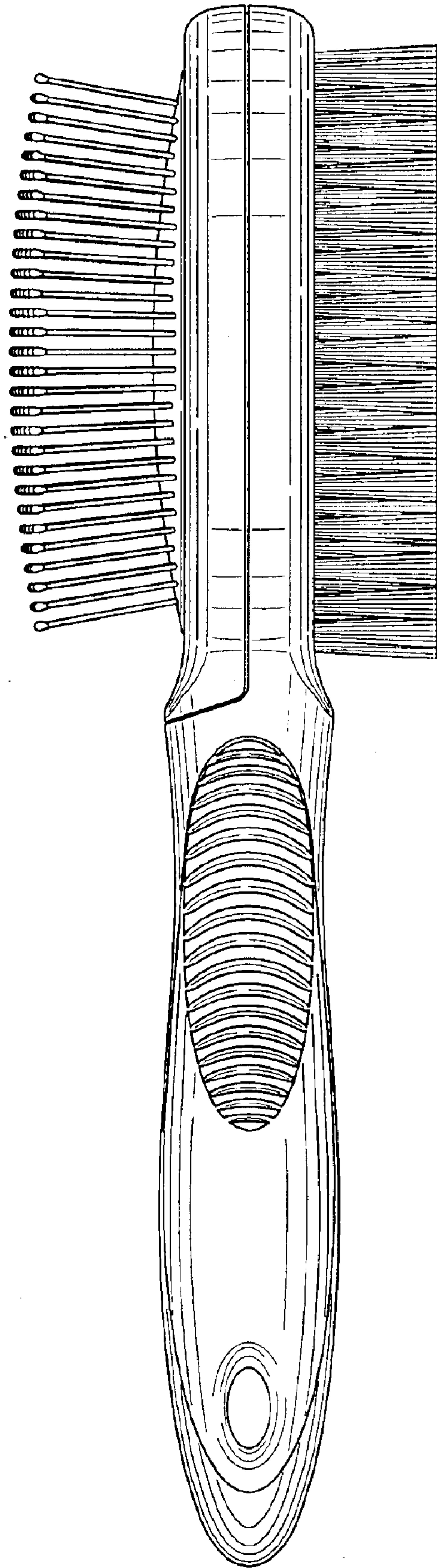


FIG. 5

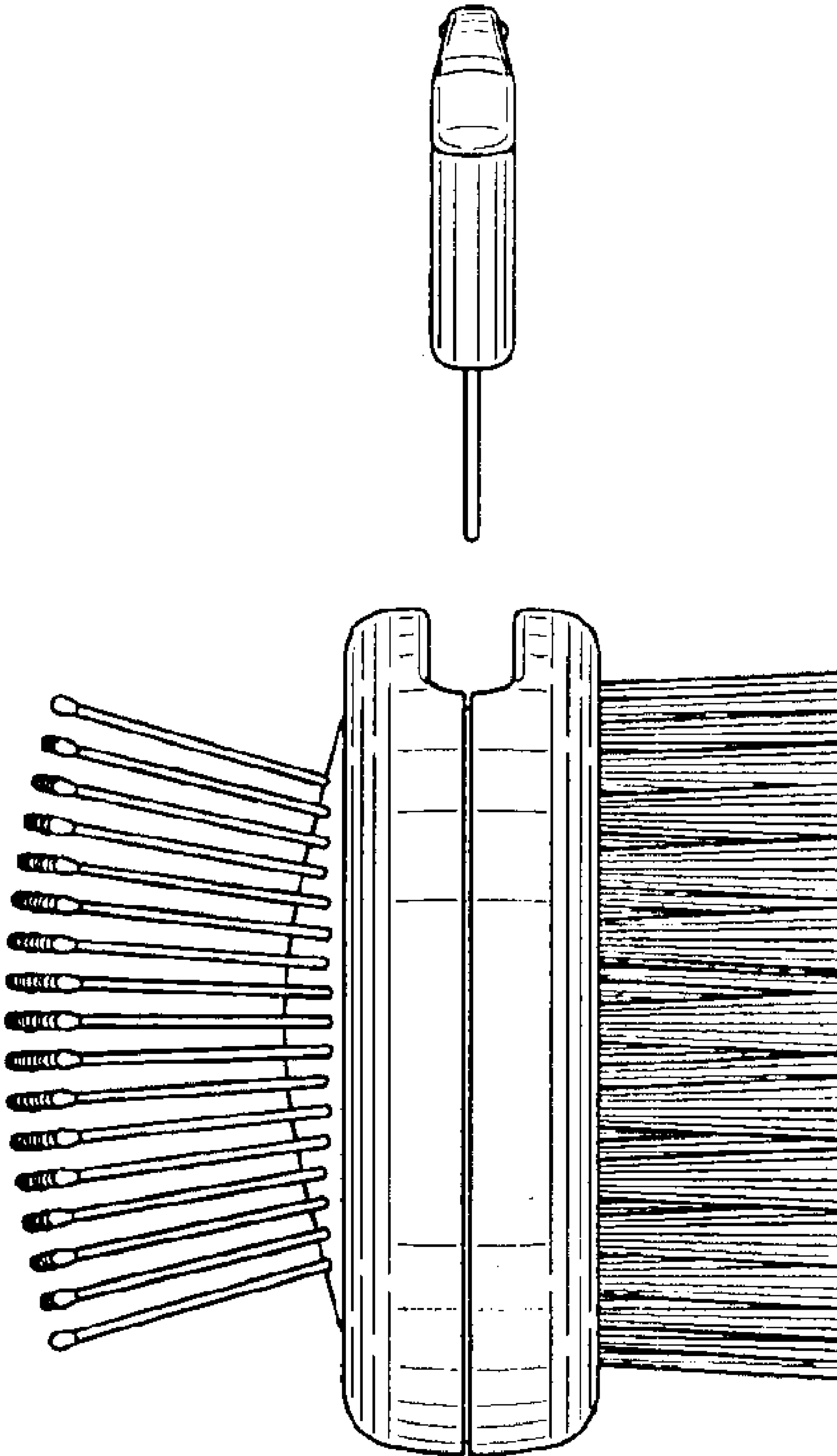


FIG. 6

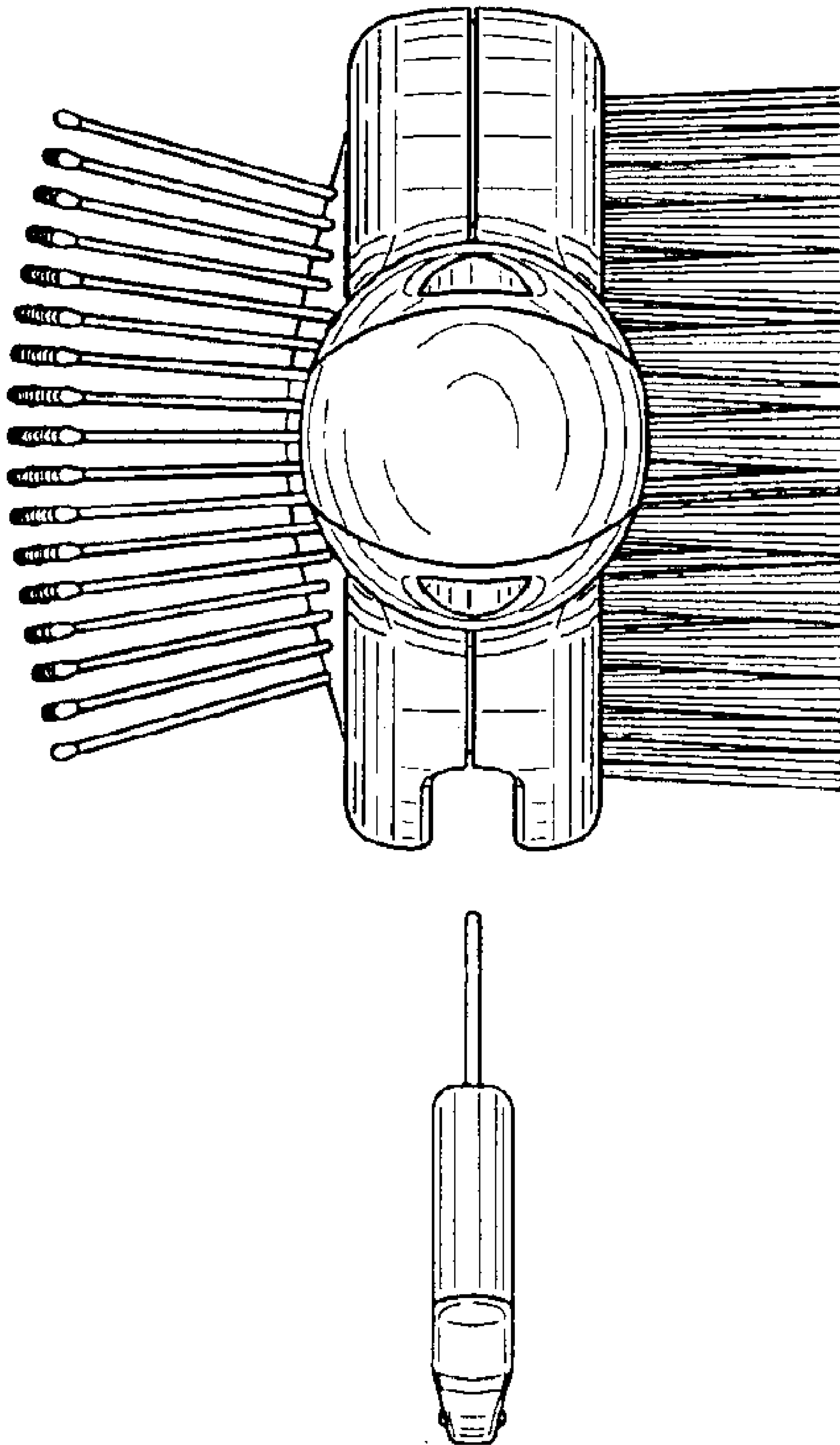


FIG. 7