

US00D509031S

(12) **United States Design Patent**
Weiser et al.

(10) **Patent No.:** **US D509,031 S**

(45) **Date of Patent:** **** Aug. 30, 2005**

(54) **ROTATING WHEEL**

(75) Inventors: **Margaret Weiser**, Tarzana, CA (US);
Isaac Weiser, Tarzana, CA (US)

(73) Assignee: **Exhart Environmental Systems, Inc.**,
Chatsworth, CA (US)

(**) Term: **14 Years**

(21) Appl. No.: **29/205,233**

(22) Filed: **May 10, 2004**

(51) **LOC (8) Cl.** **30-03**

(52) **U.S. Cl.** **D30/124**

(58) **Field of Search** D30/124, 125,
D30/121; 119/51.01, 52.2, 57.8, 464, 61.57,
68, 81, 702; 446/448-453; 472/44-47

(56) **References Cited**

U.S. PATENT DOCUMENTS

3,784,024 A	1/1974	Kristy	211/131
3,999,519 A	12/1976	Rodemeyer	119/29
4,399,772 A	8/1983	Salinas	119/51.5
4,526,134 A	7/1985	Sapp	119/51
4,574,822 A	3/1986	Helinsky	132/79
D285,592 S	9/1986	Kushner	D21/108
5,003,925 A	4/1991	Roberts	119/51.15
5,021,901 A	6/1991	Mondocea et al.	360/92
5,022,346 A	6/1991	Robertson	119/52.2
5,039,180 A	8/1991	Lemons	312/267
5,165,364 A	11/1992	Horkey	119/57.8
D342,587 S	12/1993	Bransky et al.	119/52.2
5,370,247 A	12/1994	Handleman	211/164
5,372,474 A	12/1994	Miller	415/916
5,387,146 A	2/1995	Smith et al.	446/219
D361,172 S	8/1995	Gates	119/57.8

D408,947 S	4/1999	Mandell	D30/124
6,305,319 B1	* 10/2001	Olsson	119/51.01
6,394,030 B1	* 5/2002	Geiger et al.	119/57.8
D471,326 S	* 3/2003	Weiser et al.	D30/124
6,557,491 B1	* 5/2003	Weiser et al.	119/57.8

* cited by examiner

Primary Examiner—Alan P. Douglas

Assistant Examiner—Susan M Lee

(74) *Attorney, Agent, or Firm*—Cislo & Thomas LLP

(57) **CLAIM**

We claim the ornamental design for a rotating wheel, as shown and described herein.

DESCRIPTION

FIG. 1 is a front perspective view of our rotating wheel, with the dotted line shown being for illustrative purposes only and to which no claim is made;

FIG. 2 is a top view thereof with the dotted line shown being for illustrative purposes only and to which no claim is made;

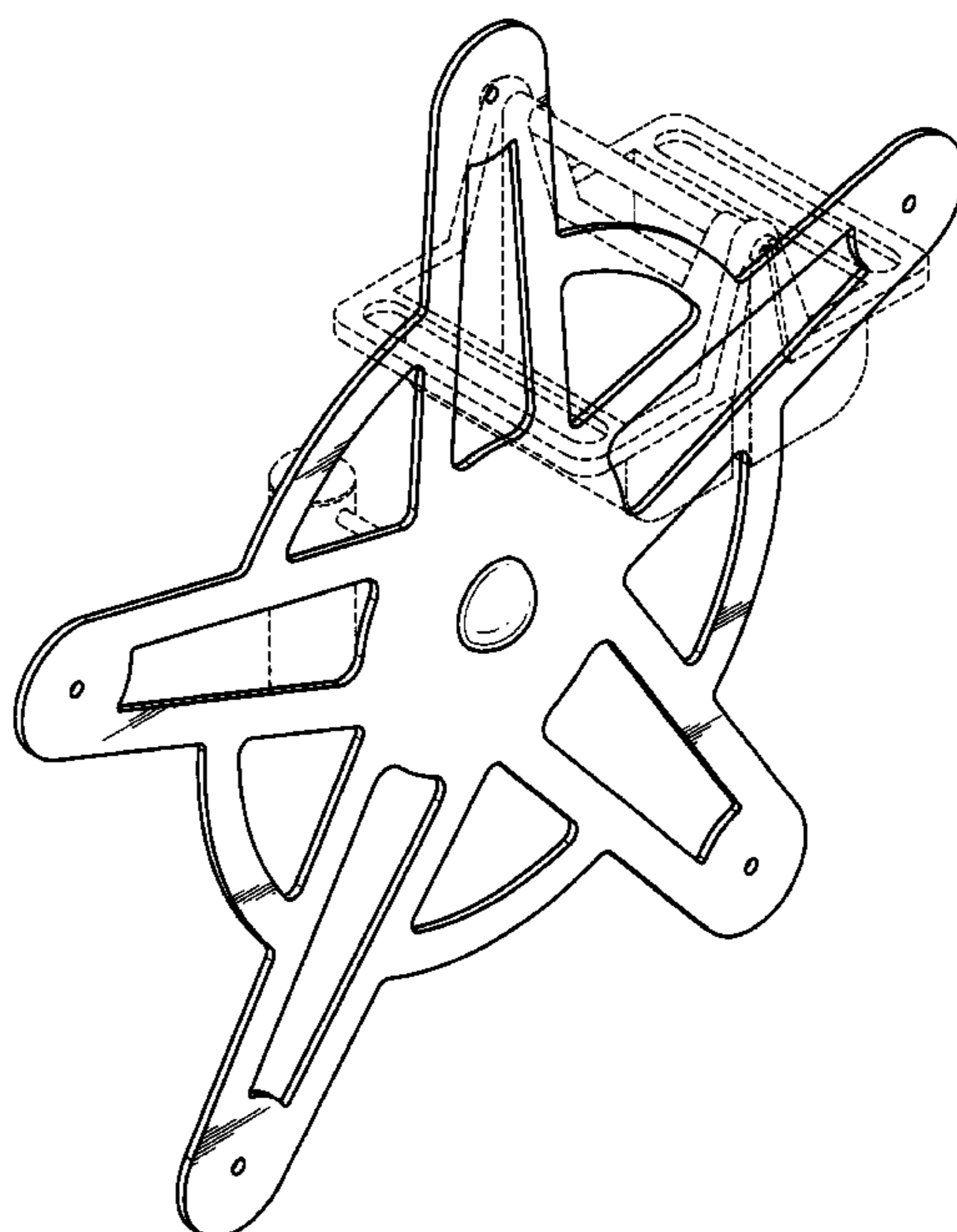
FIG. 3 is front view thereof;

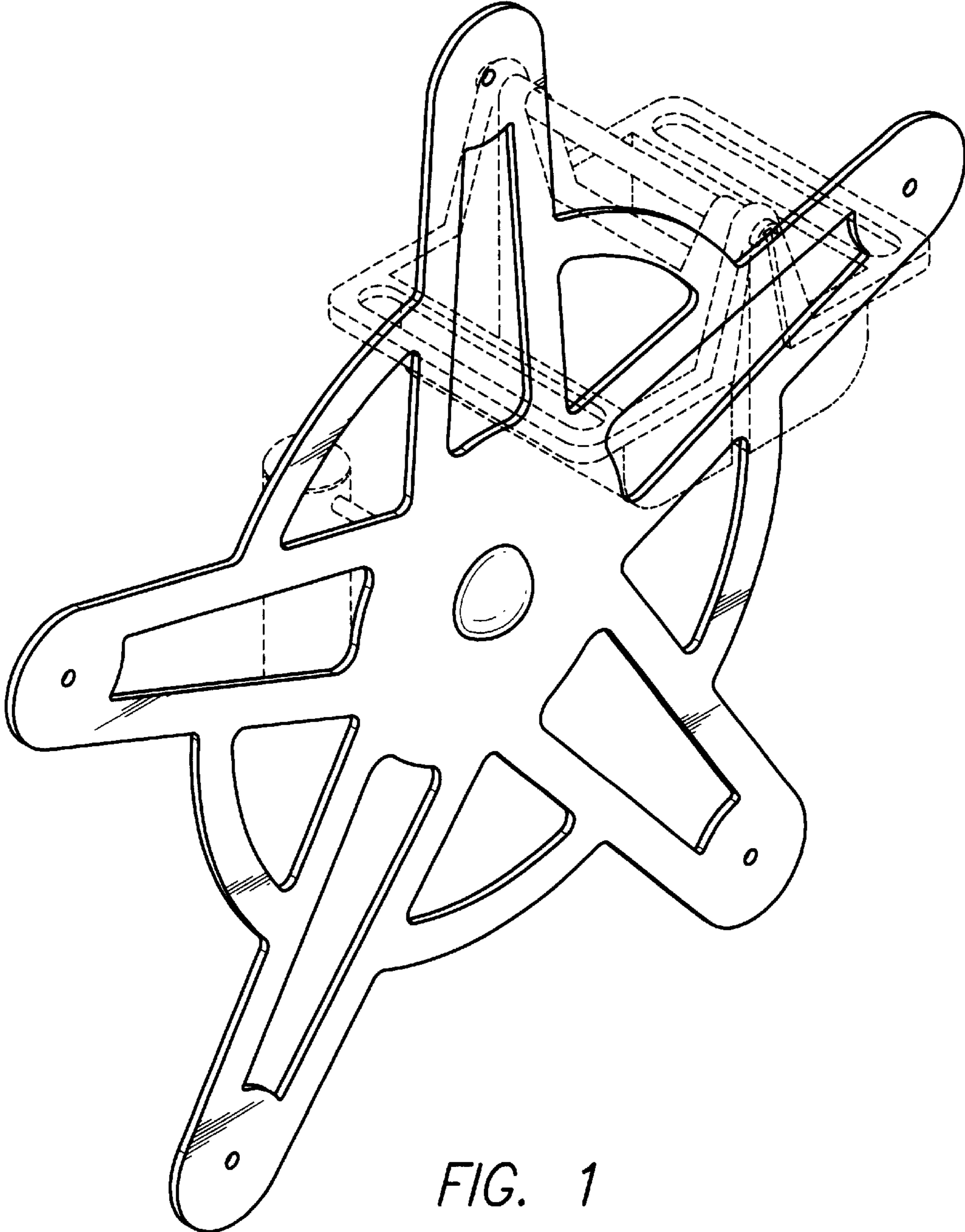
FIG. 4 is a bottom view thereof with the dotted line shown being for illustrative purposes only and to which no claim is made;

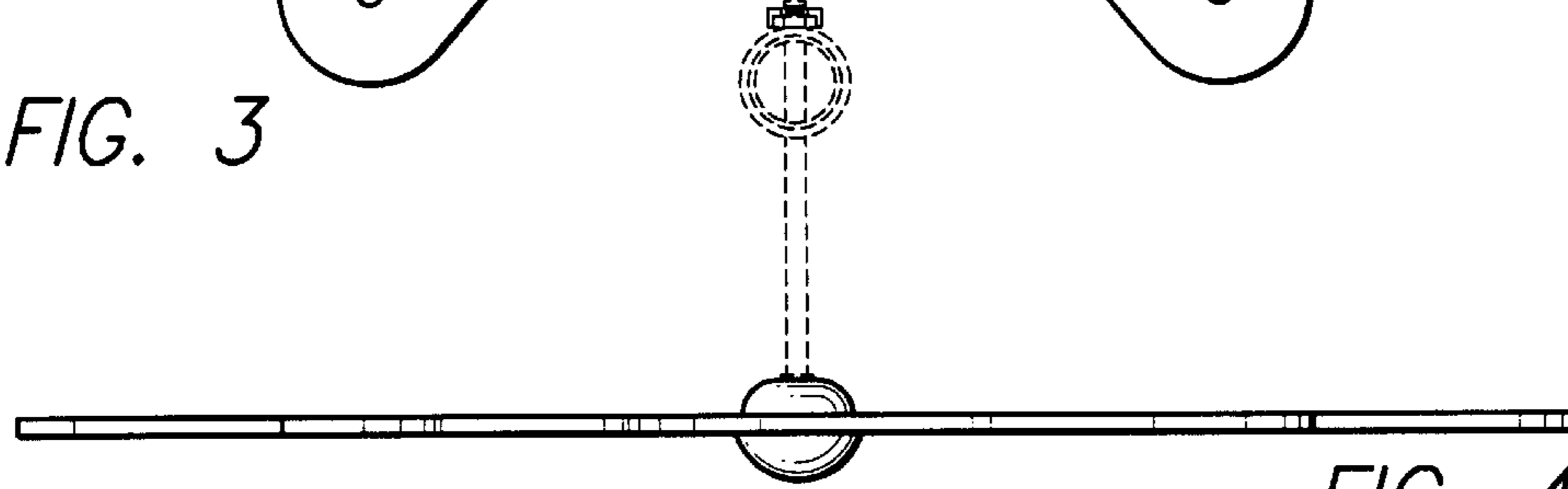
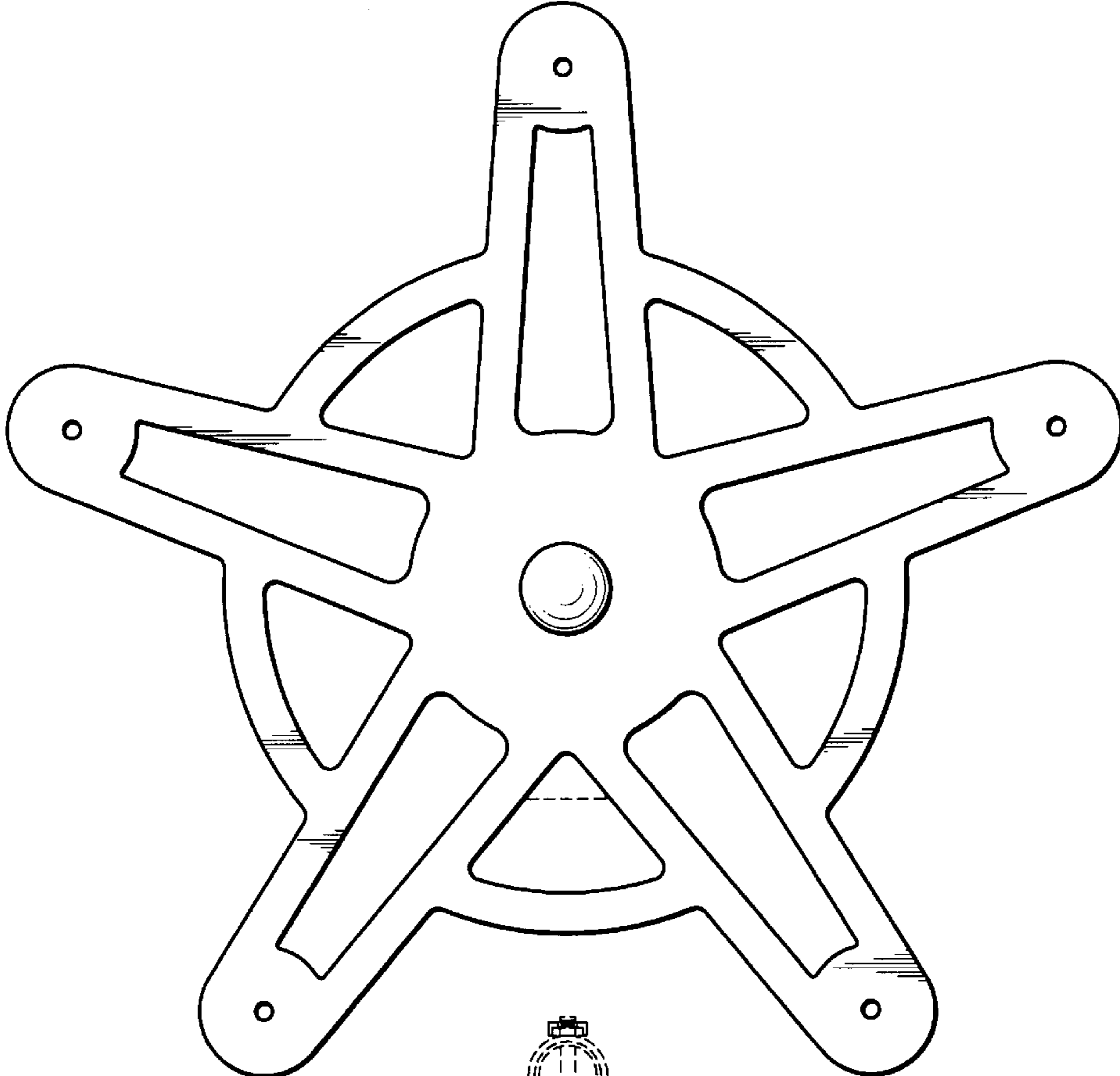
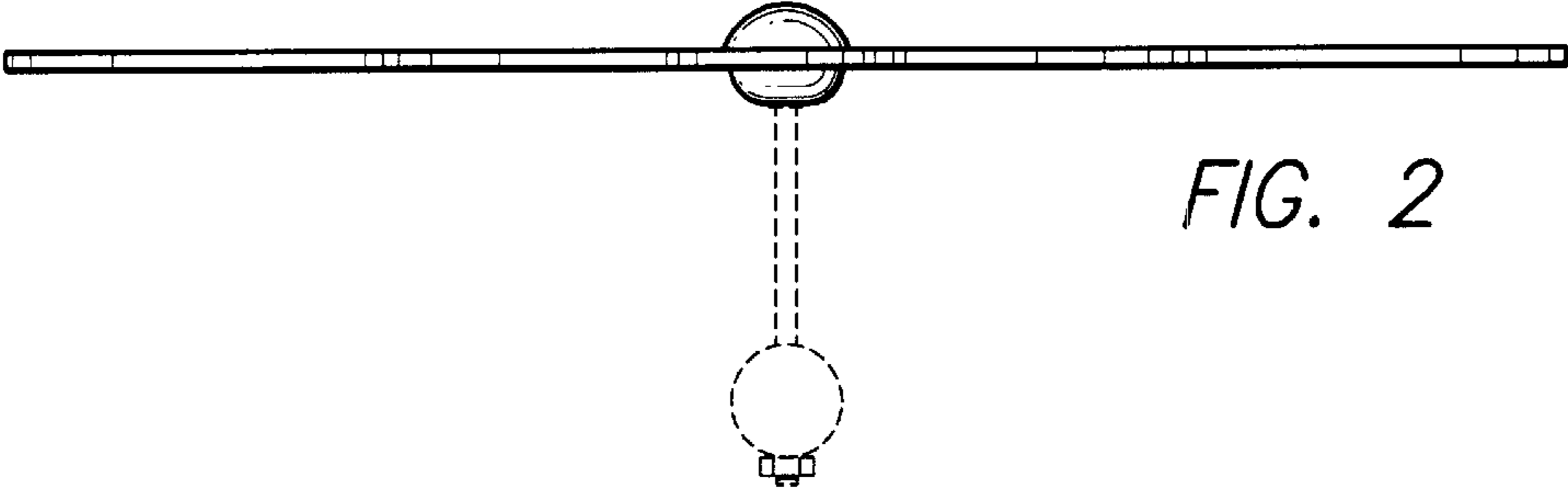
FIG. 5 is a back view thereof with the dotted line shown being for illustrative purposes only and to which no claim is made; and,

FIG. 6 is a right side elevational view thereof with the dotted line shown being for illustrative purposes only and to which no claim is made and with the left side elevational view being a mirror image thereof with the dotted line showing being for illustrative purposes only and to which no claim is made.

1 Claim, 3 Drawing Sheets







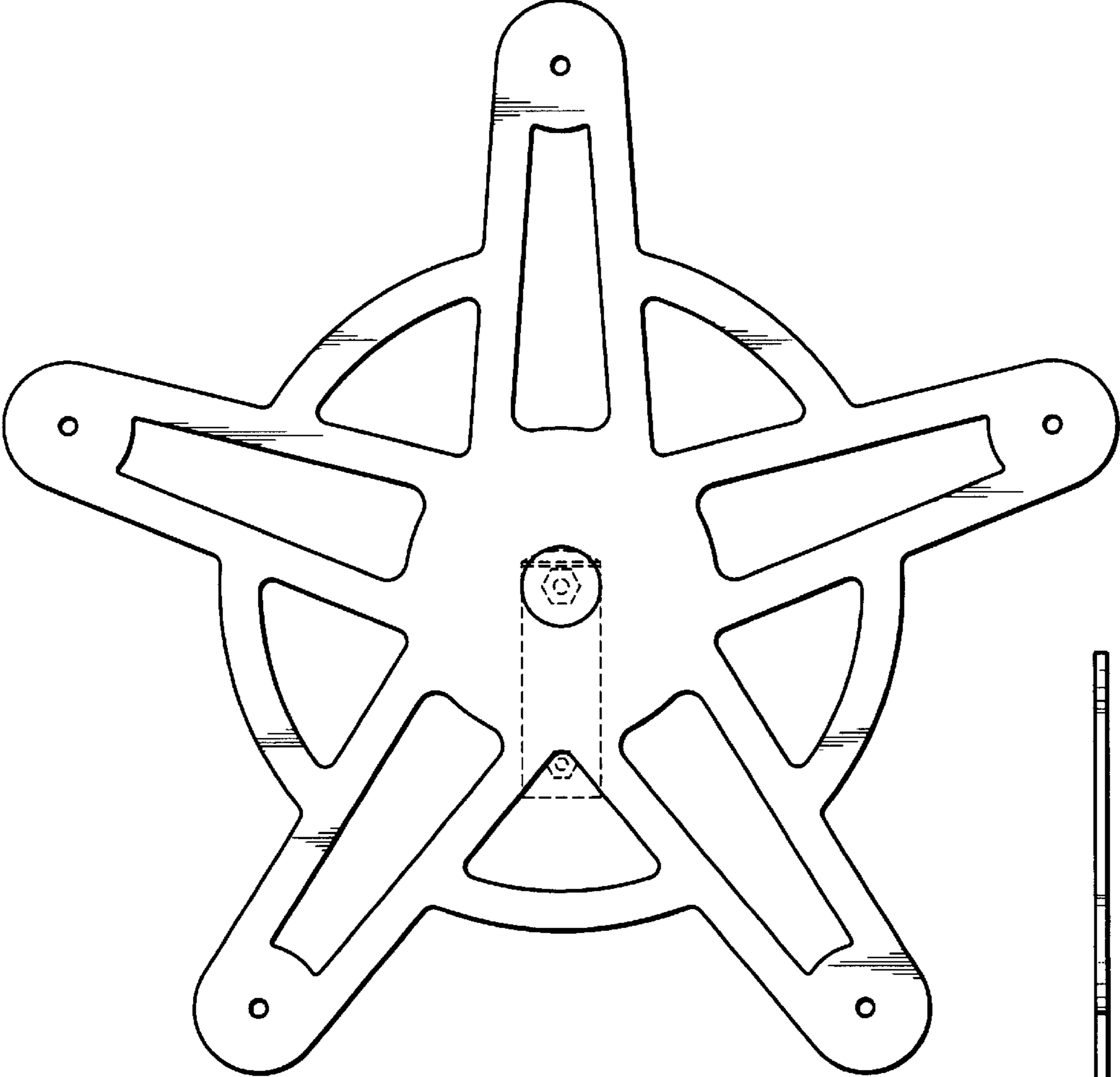


FIG. 5

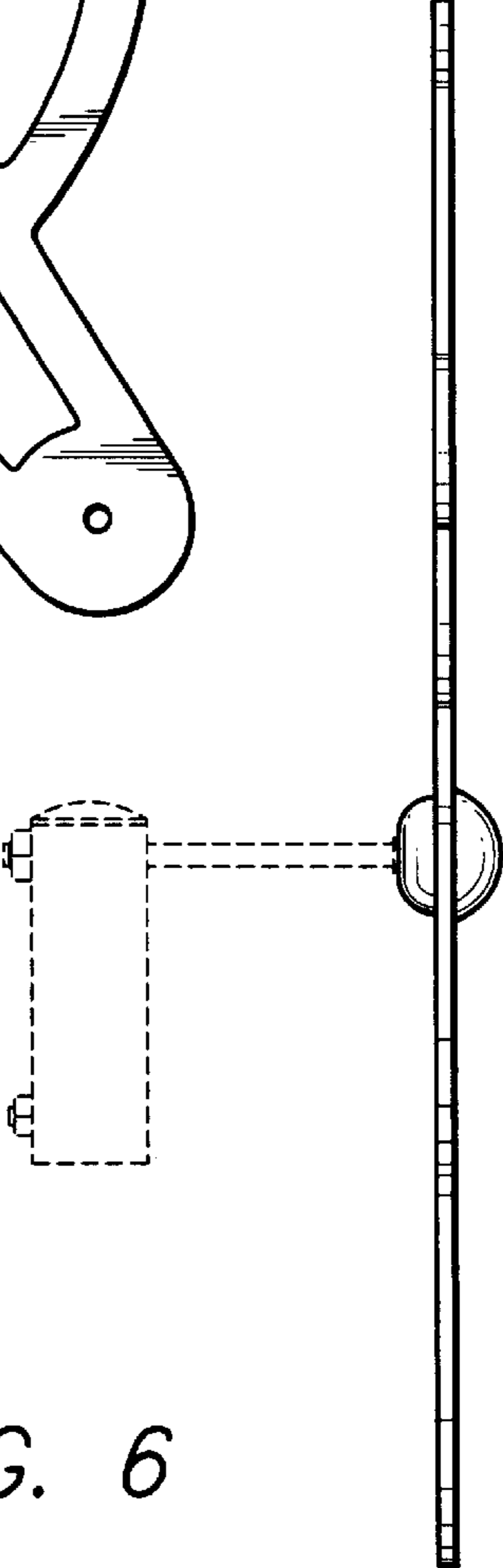


FIG. 6