

US00D509028S

(12) **United States Design Patent**
Farrell

(10) **Patent No.:** **US D509,028 S**

(45) **Date of Patent:** **** Aug. 30, 2005**

(54) **MOUTHGUARD**

(76) **Inventor:** **Christopher John Farrell**, P.O. Box
14, Helensvale 4212 (AU)

(**) **Term:** **14 Years**

(21) **Appl. No.:** **29/181,852**

(22) **Filed:** **May 16, 2003**

(51) **LOC (8) Cl.** **29-02**

(52) **U.S. Cl.** **D29/108**

(58) **Field of Search** D29/108, 122;
D24/176, 180-181; 2/455, 9, 424; 128/859,
848, 861-862; 602/902; 433/6

(56) **References Cited**

U.S. PATENT DOCUMENTS

3,247,844	A	*	4/1966	Berghash	128/862
D215,685	S	*	10/1969	Helmer	D29/108
3,692,025	A	*	9/1972	Greenberg	128/857
5,462,066	A	*	10/1995	Snyder	128/848
5,636,379	A	*	6/1997	Williams	2/455
D382,965	S	*	8/1997	Wagner	D24/181
D408,919	S	*	4/1999	Cooley	D24/181

6,170,485	B1	*	1/2001	Orrico	128/848
6,494,210	B1	*	12/2002	Mams	128/859
D473,976	S	*	4/2003	Wilkins	D29/108
6,637,436	B2	*	10/2003	Farrell	128/861

* cited by examiner

Primary Examiner—Ruth McInroy

(57) **CLAIM**

The ornamental design for a mouthguard, as shown and described.

DESCRIPTION

FIG. 1 is a top plan view of a mouthguard showing my new design;

FIG. 2 is a bottom plan view thereof;

FIG. 3 is a front view thereof;

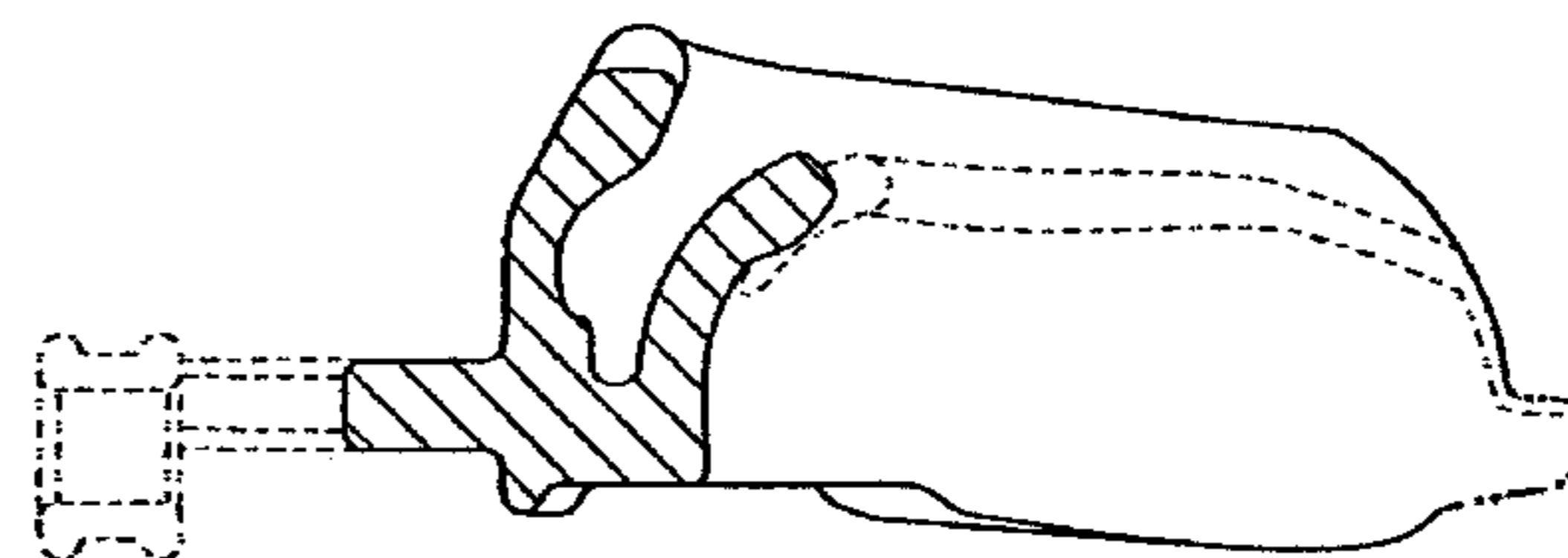
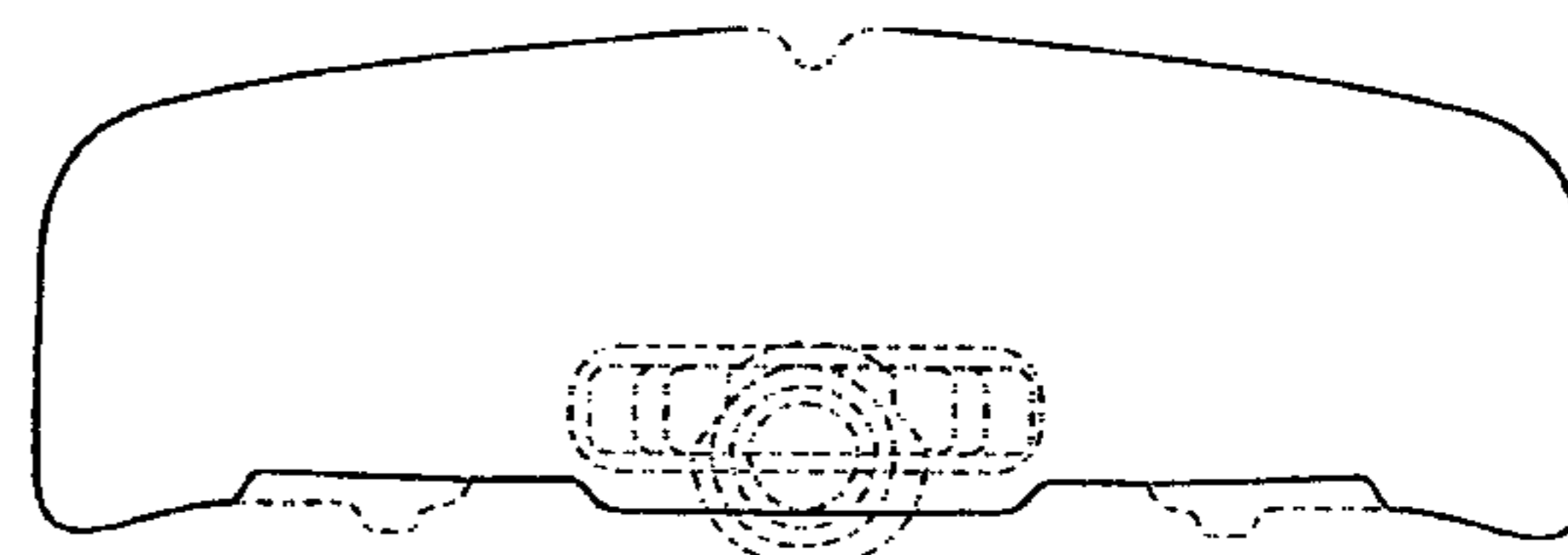
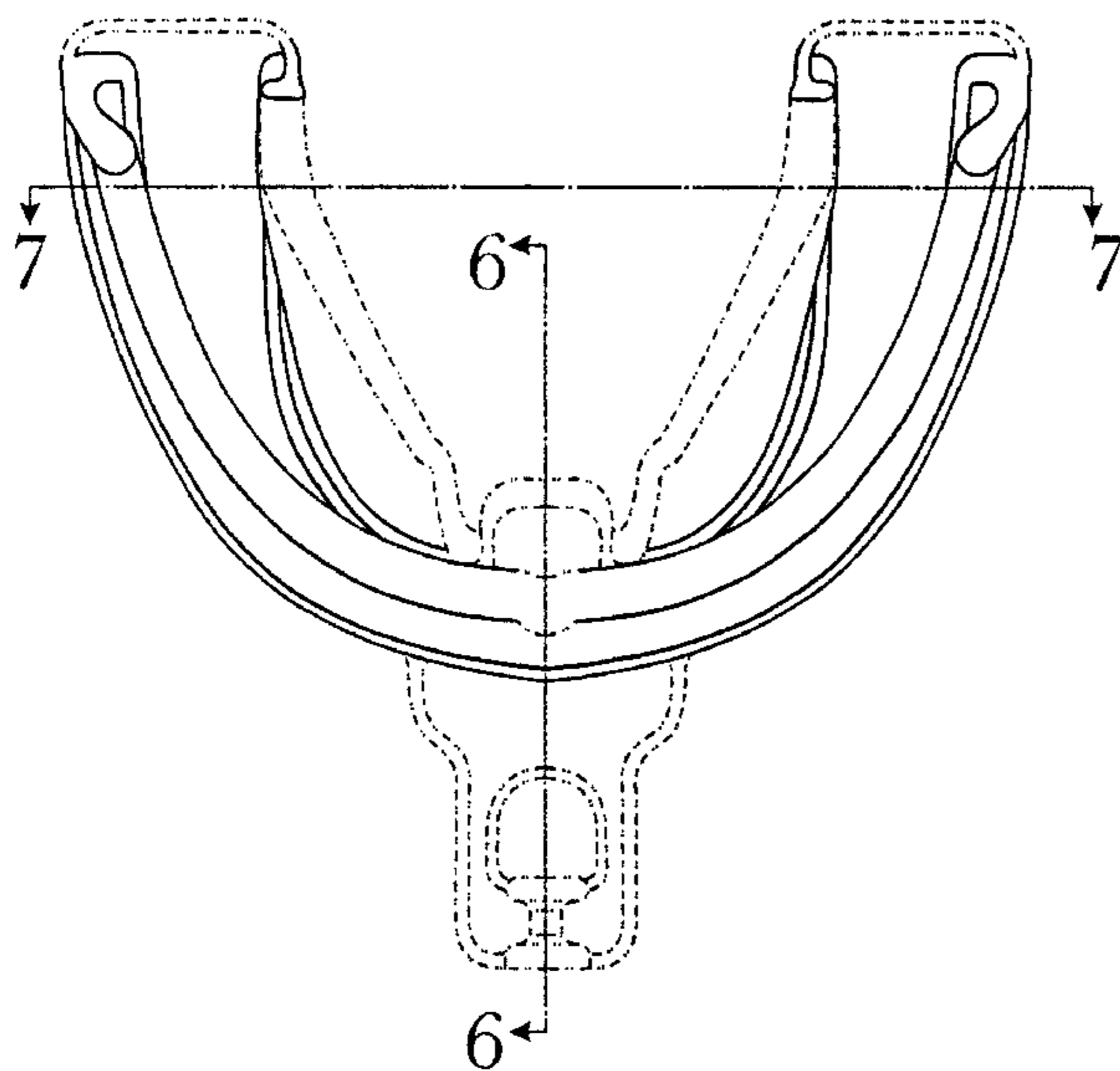
FIG. 4 is a rear view thereof;

FIG. 5 is a side view thereof, the opposite side being a mirror image;

FIG. 6 is a sectional view take along line 6—6 in FIG. 1; and,

FIG. 7 is a sectional view taken along line 7—7 in FIG. 1.

1 Claim, 3 Drawing Sheets



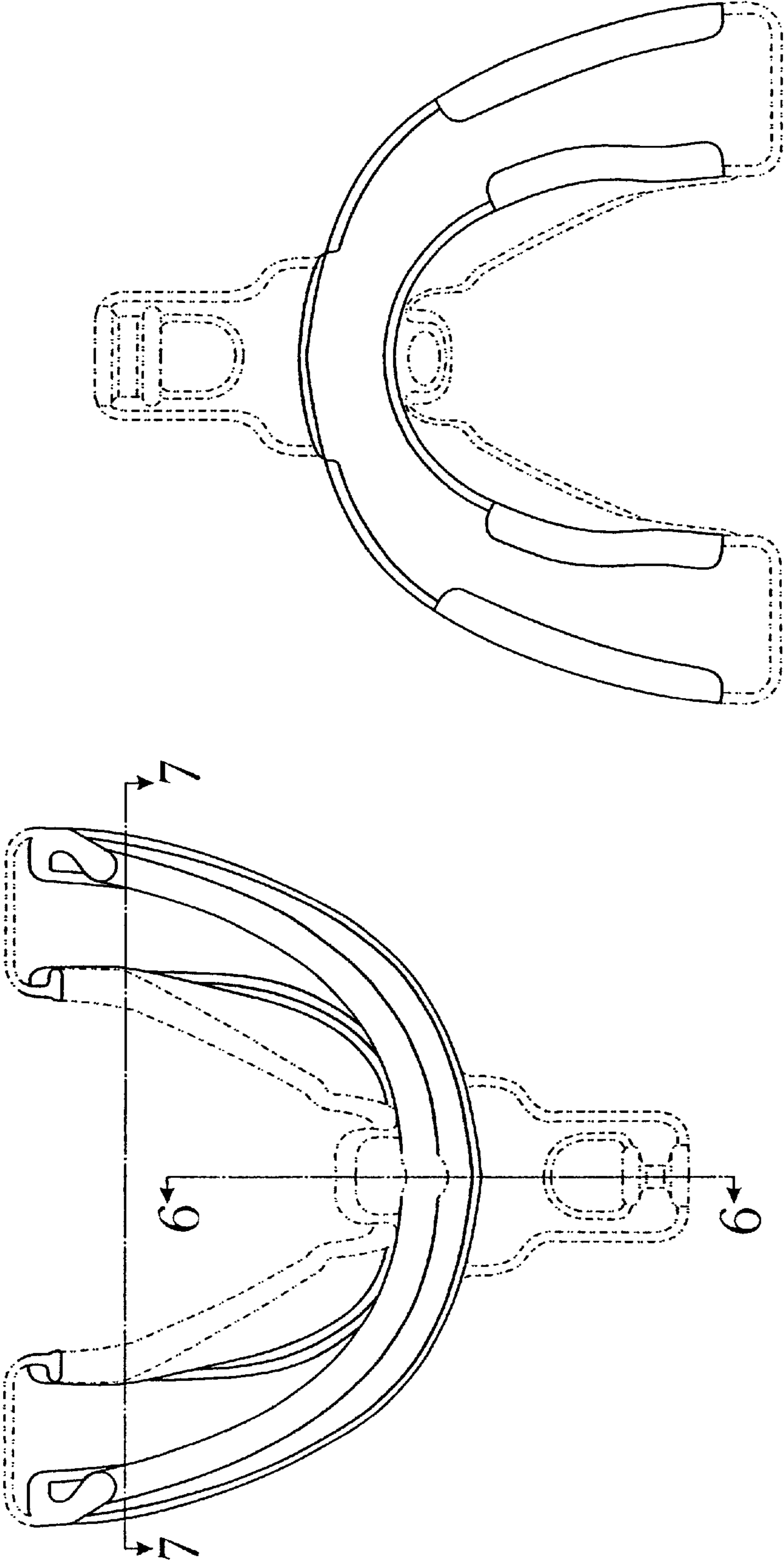


FIG. 1

FIG. 2

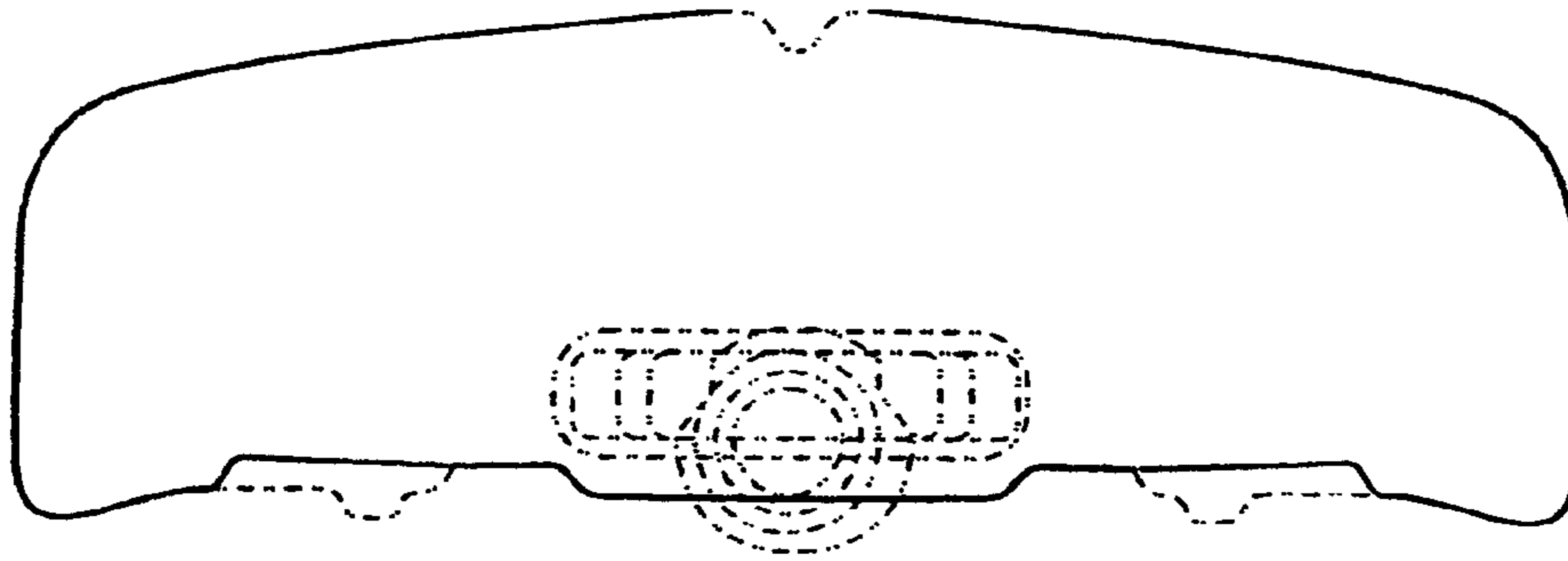


FIG. 3

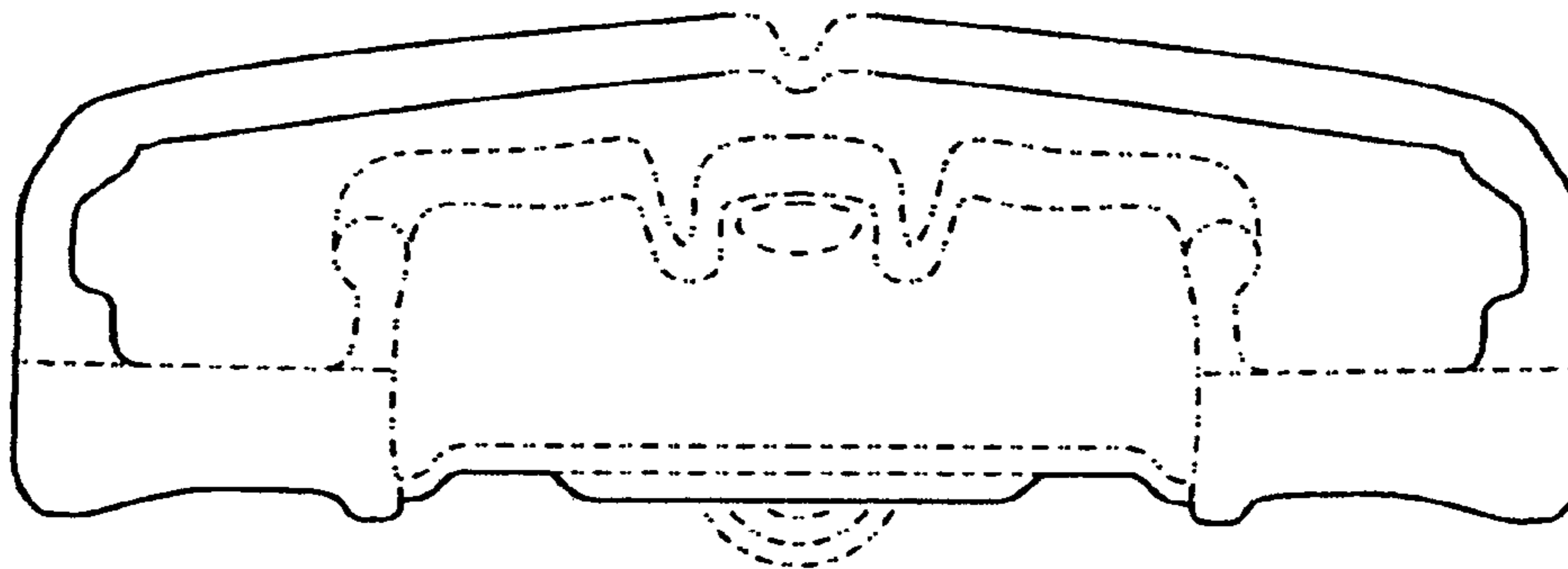


FIG. 4

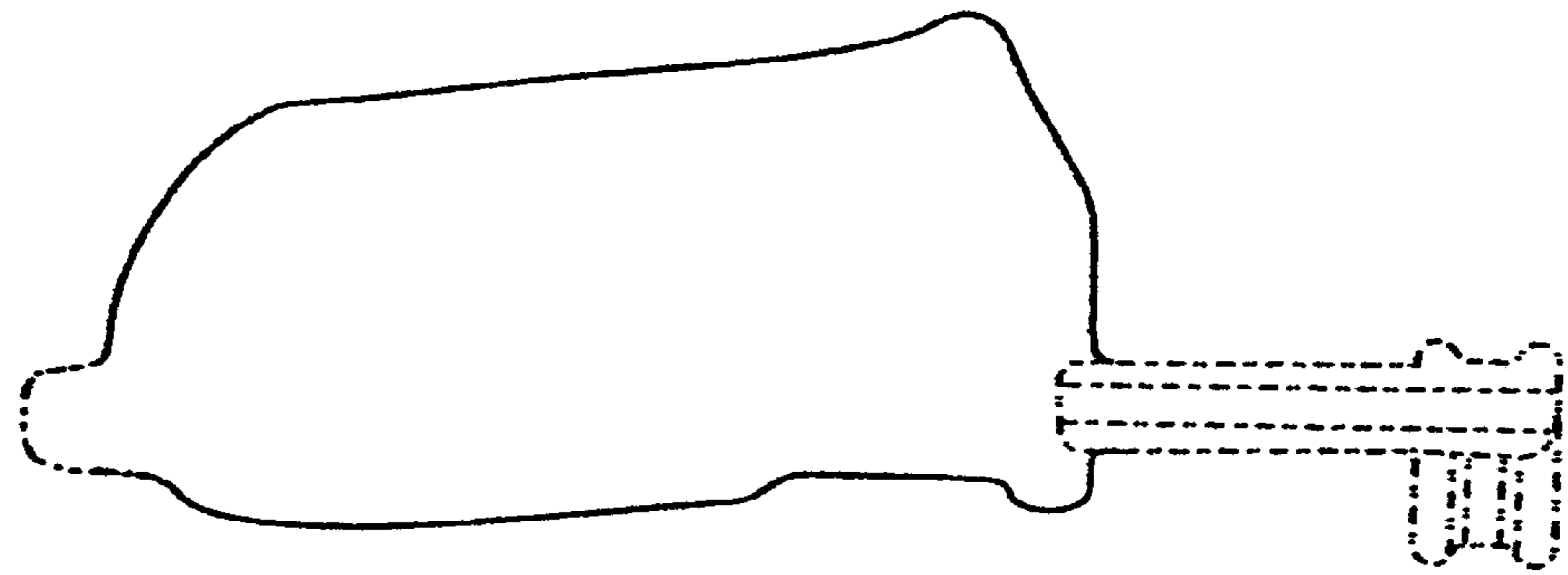


FIG. 5

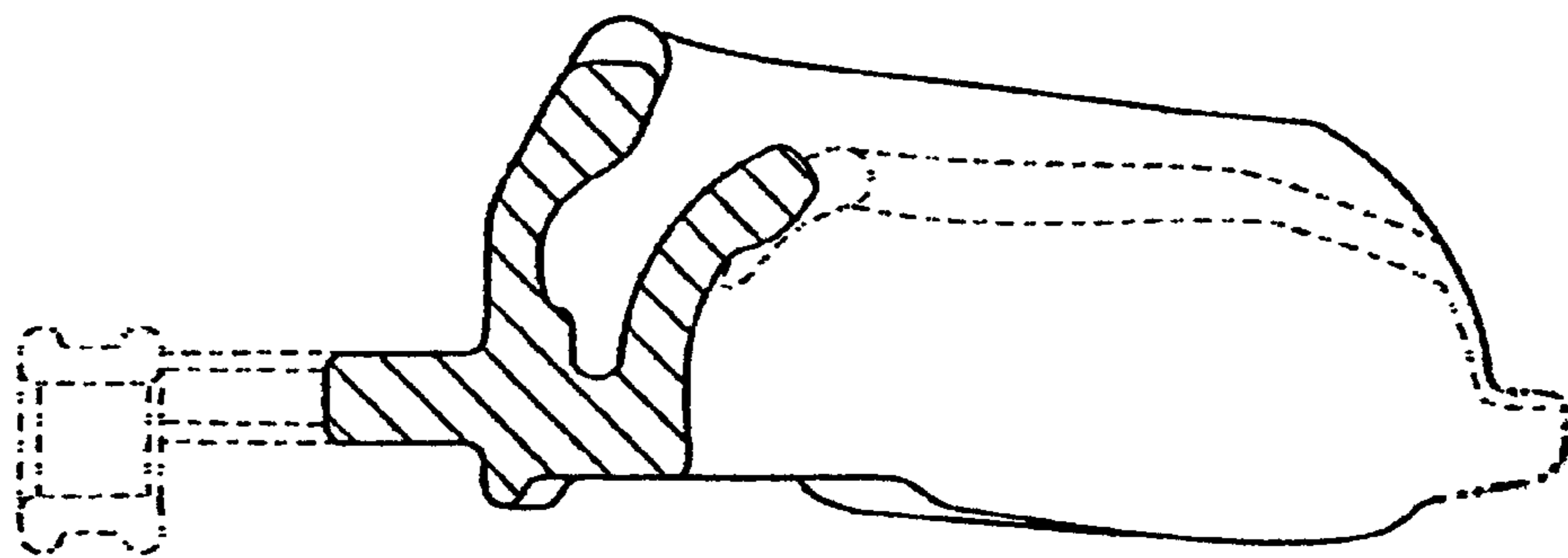


FIG. 6

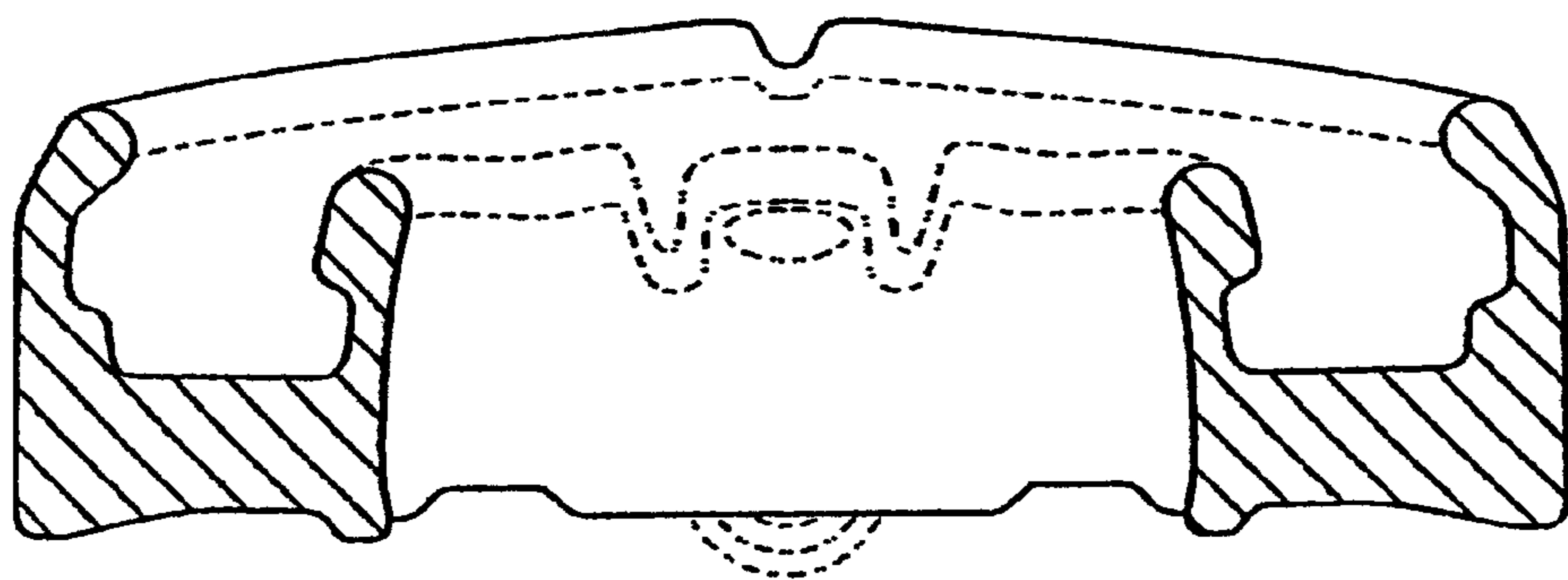


FIG. 7