



US00D509026S

(12) **United States Design Patent**
Leventhal et al.

(10) **Patent No.: US D509,026 S**
(45) **Date of Patent: ** Aug. 30, 2005**

(54) **HAIR TRIMMER**

(76) Inventors: **James M. Leventhal**, One Grove St.,
Watertown, MA (US) 02472; **Jordan**
Nollman, 1720 Leavenworth St., Apt. 7,
San Francisco, CA (US) 94109

(**) Term: **14 Years**

(21) Appl. No.: **29/197,781**

(22) Filed: **Jan. 20, 2004**

(51) **LOC (8) Cl. 28-03**

(52) **U.S. Cl. D28/53**

(58) **Field of Search** D28/44, 44.1,
D28/49-54; D19/43; 30/32, 29.5, 34.05,
34.1, 41, 41.5, 41.6, 43-43.92, 42, 44-46

(56) **References Cited**

U.S. PATENT DOCUMENTS

D302,345 S	*	7/1989	Rubin	D28/53
D368,984 S	*	4/1996	Nakashima et al.	D28/53
D400,303 S	*	10/1998	Tanaka et al.	D28/49
D476,362 S	*	6/2003	Whitehorn	D19/43

* cited by examiner

Primary Examiner—Jennifer Rivard

(74) *Attorney, Agent, or Firm*—Mintz, Levin, Cohn, Ferris,
Glovsky and Popeo, P.C.

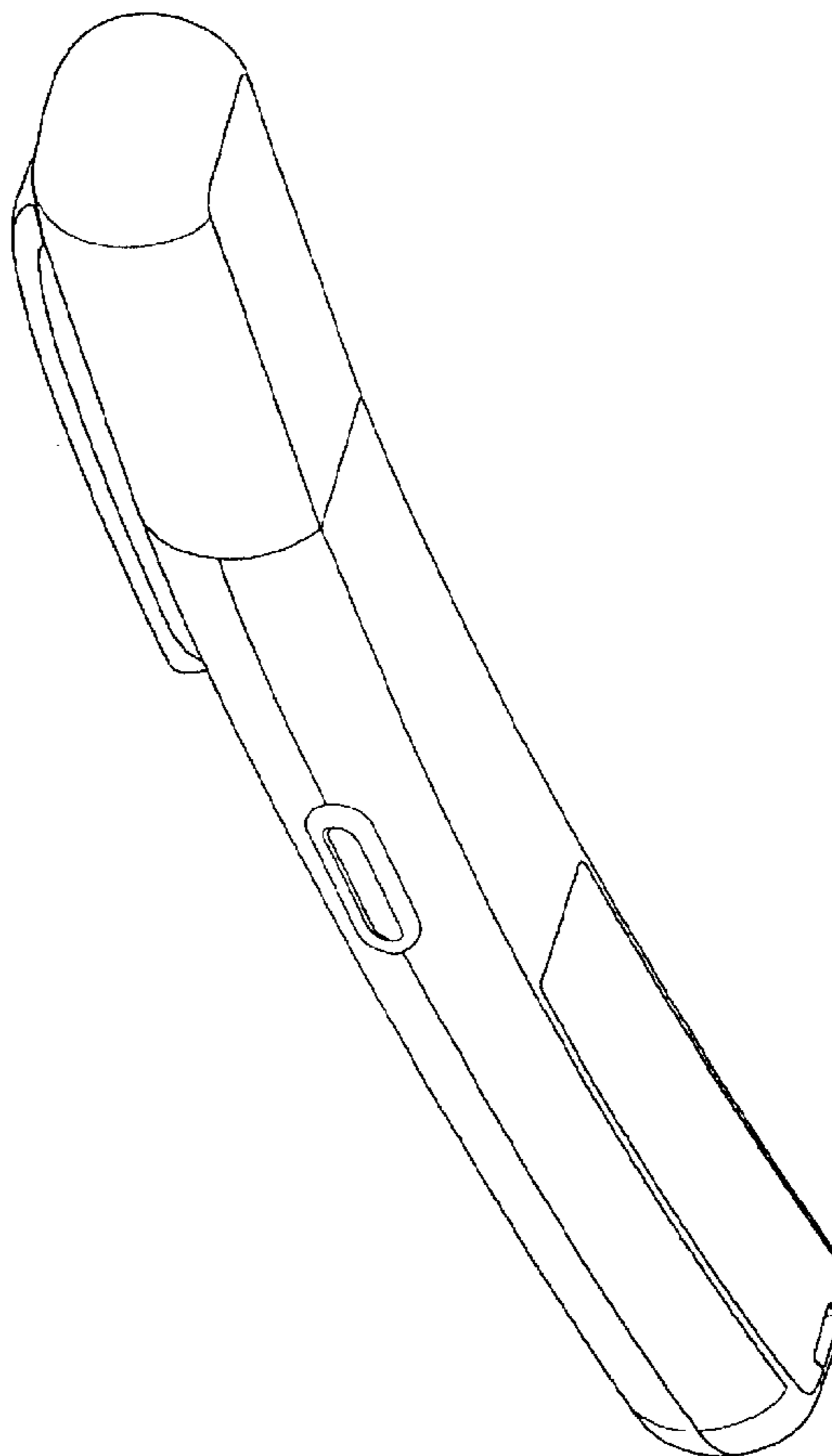
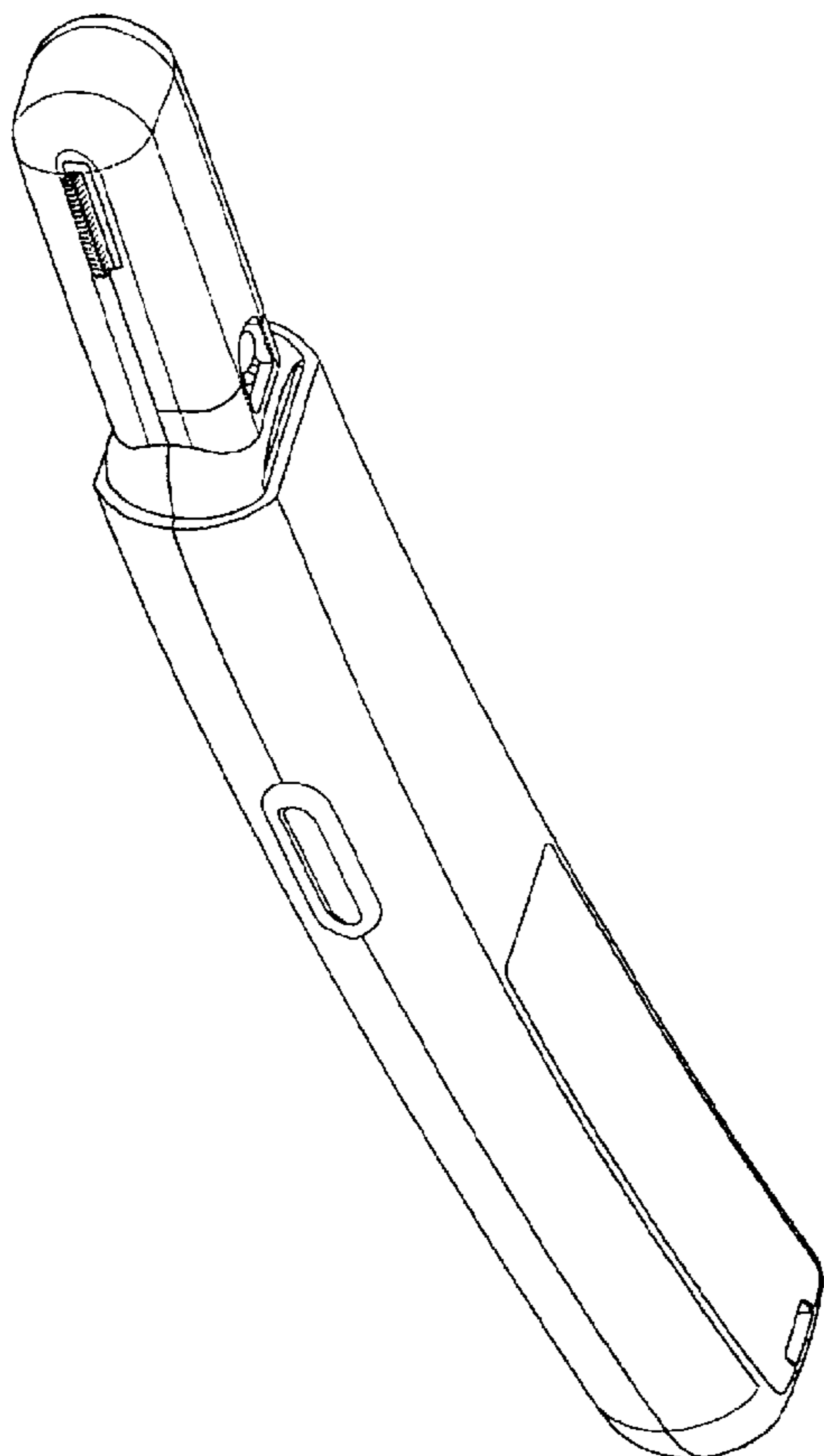
(57) **CLAIM**

The ornamental design for a hair trimmer, as shown and
described.

DESCRIPTION

FIG. 1 is a perspective view of a first embodiment of our
new design;
FIG. 2 is a front elevational view thereof;
FIG. 3 is a rear elevational view thereof;
FIG. 4 is a right side view thereof;
FIG. 5 is a left side view thereof;
FIG. 6 is a top plan view thereof; and
FIG. 7 is a bottom plan view thereof.
FIG. 8 is a perspective view of a second embodiment of our
new design;
FIG. 9 is a front elevational view thereof with a cap in place;
FIG. 10 is a rear elevational view thereof with a cap in place;
FIG. 11 is a right side view thereof with a cap in place;
FIG. 12 is a left side view thereof with a cap in place;
FIG. 13 is a top plan view thereof with a cap in place; and,
FIG. 14 is a bottom plan view thereof with a cap in place.
The ornamental design that is claimed is shown in solid lines
in the drawings.

1 Claim, 8 Drawing Sheets



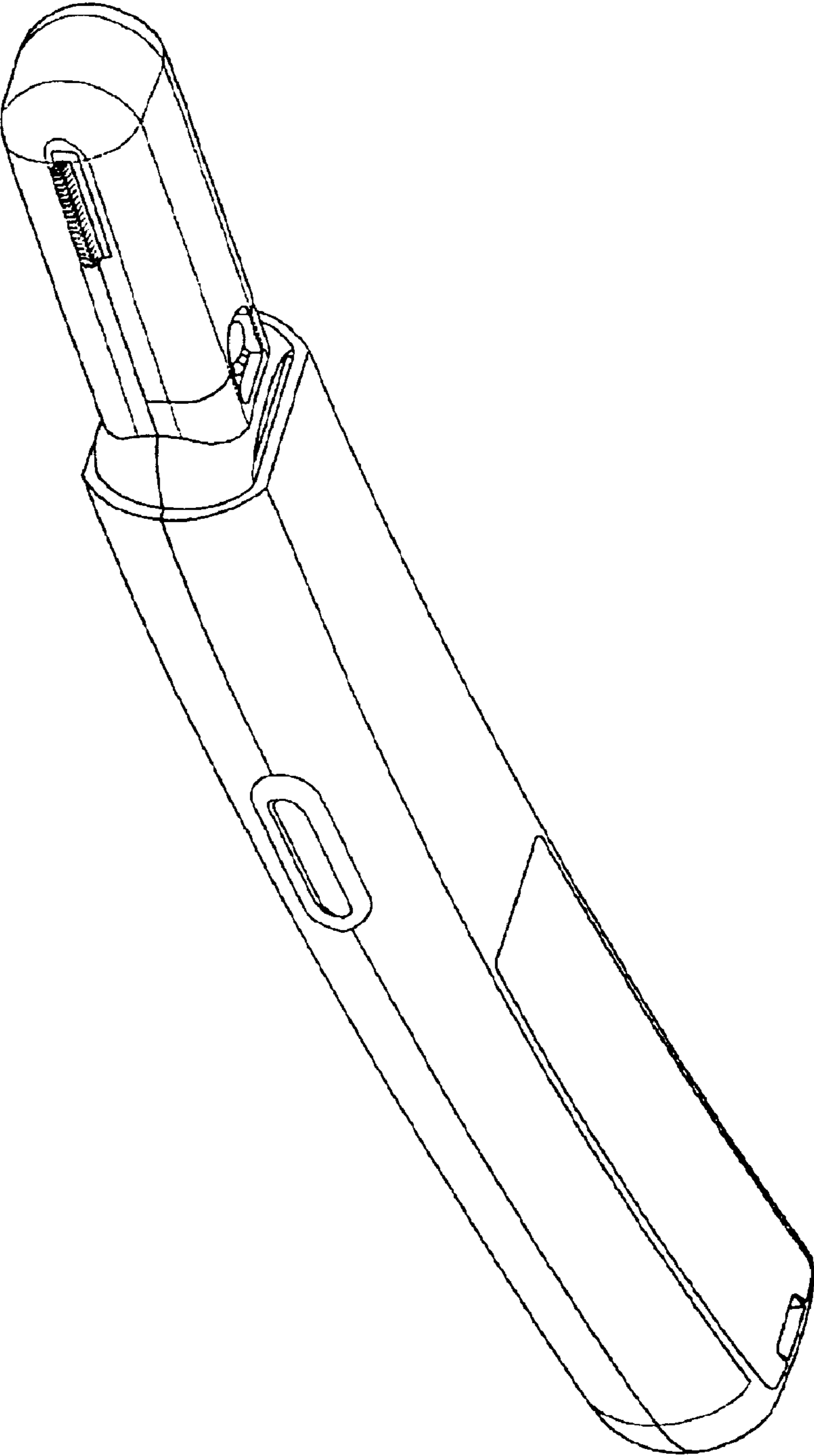


Fig. 1

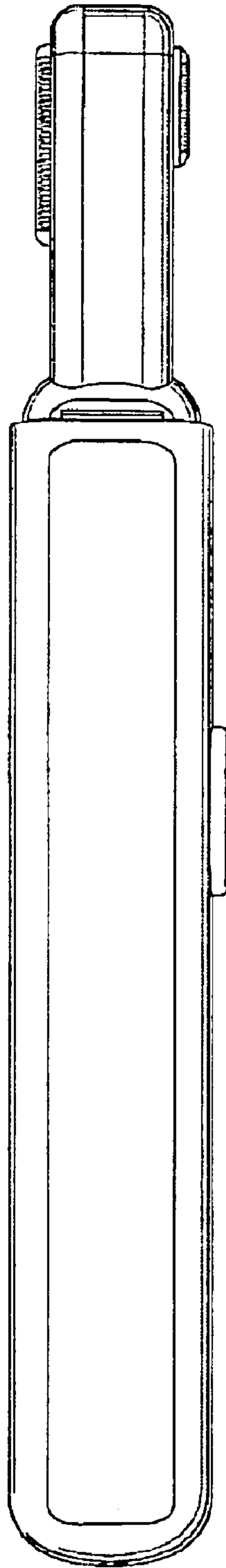


Fig. 2

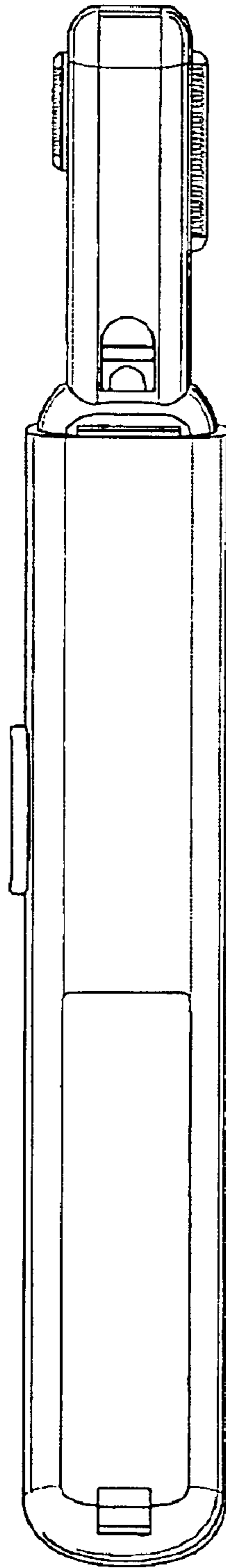


Fig. 3

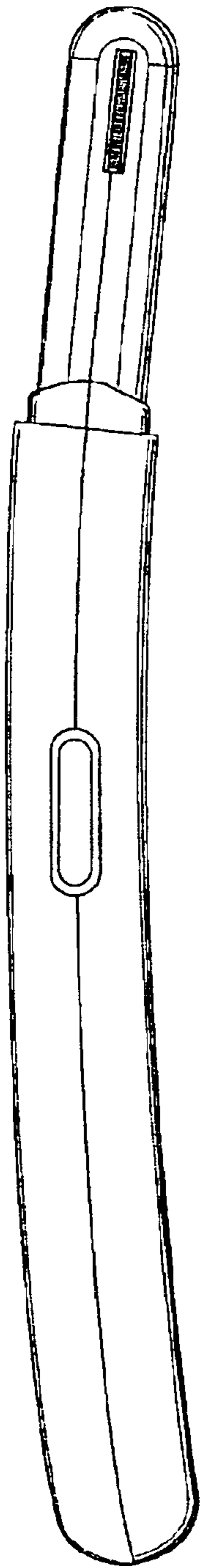


Fig. 4

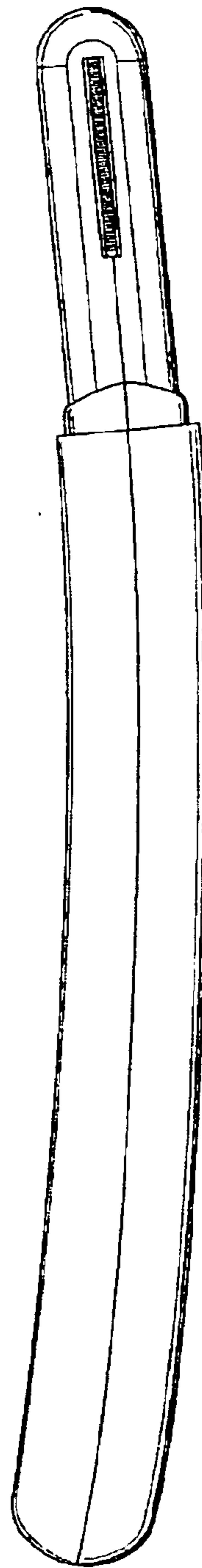


Fig. 5

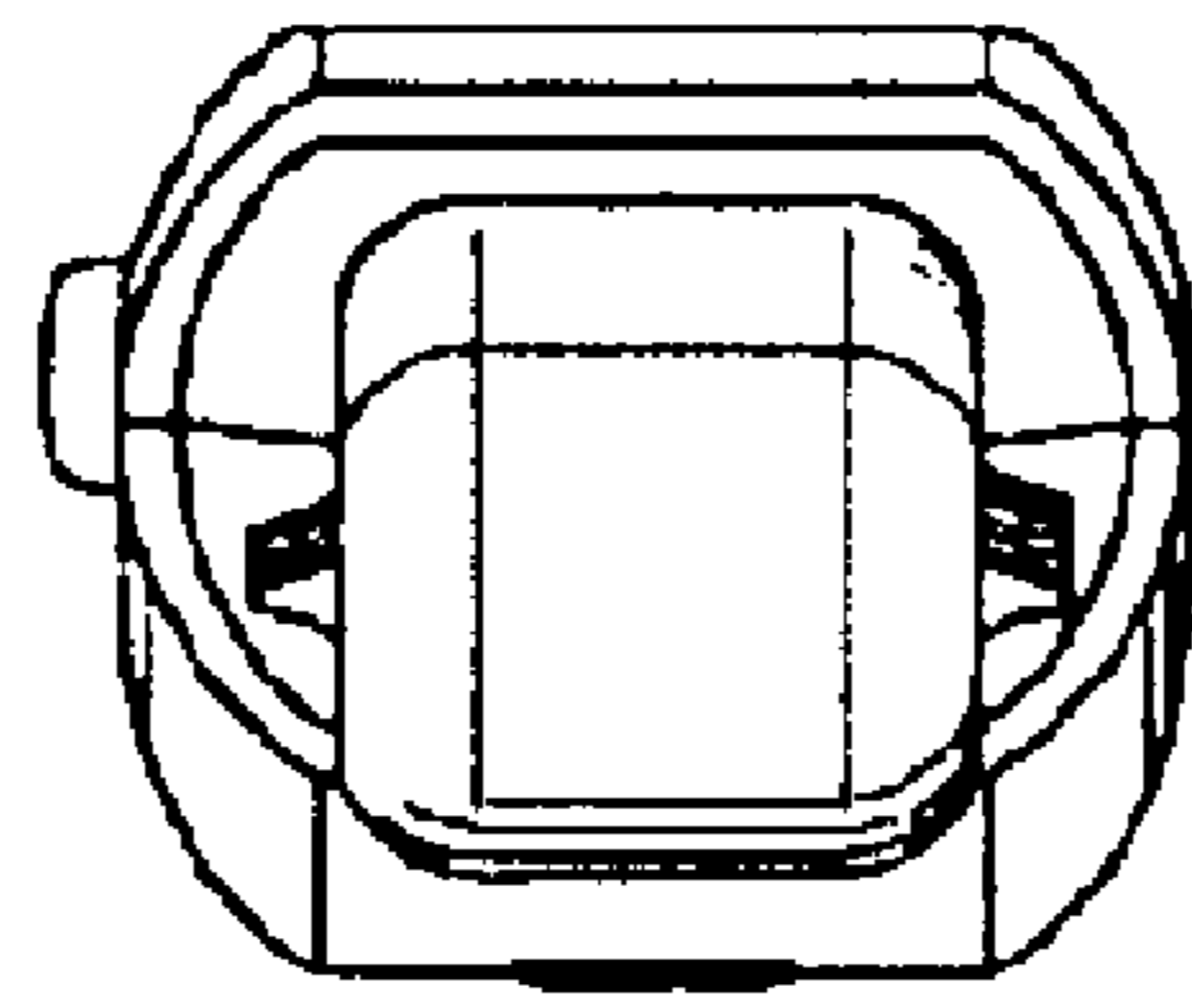


Fig. 6

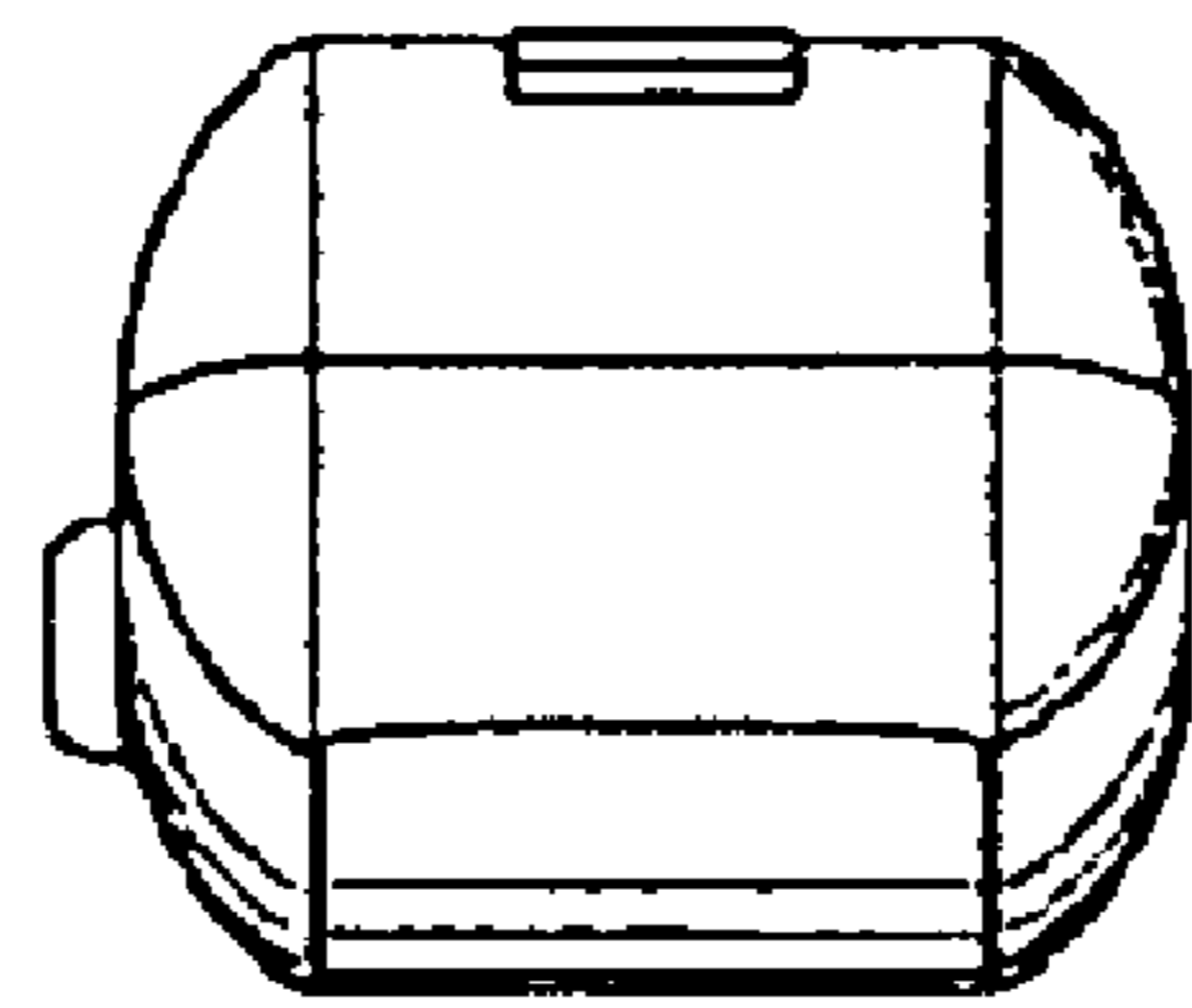


Fig. 7

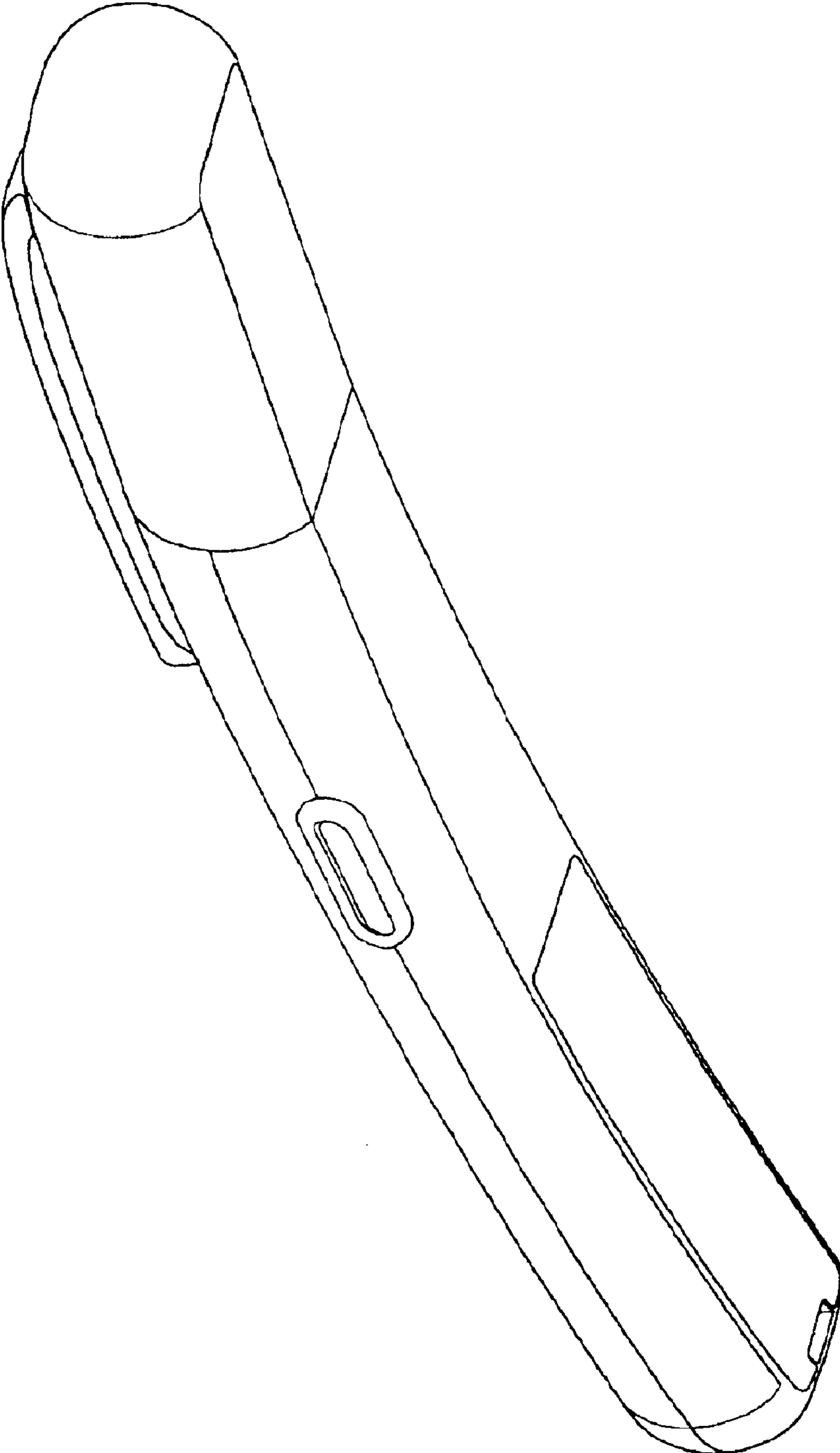


Fig. 8

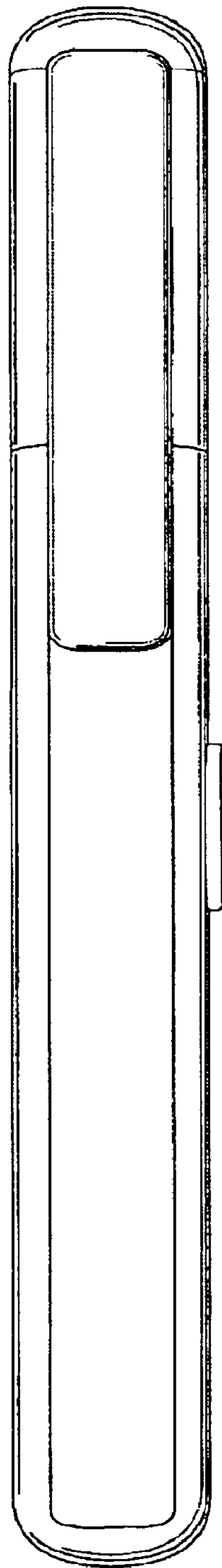


Fig. 9

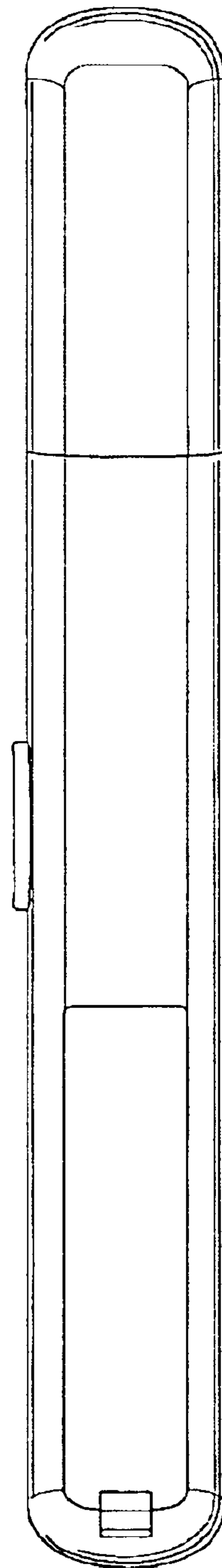


Fig. 10

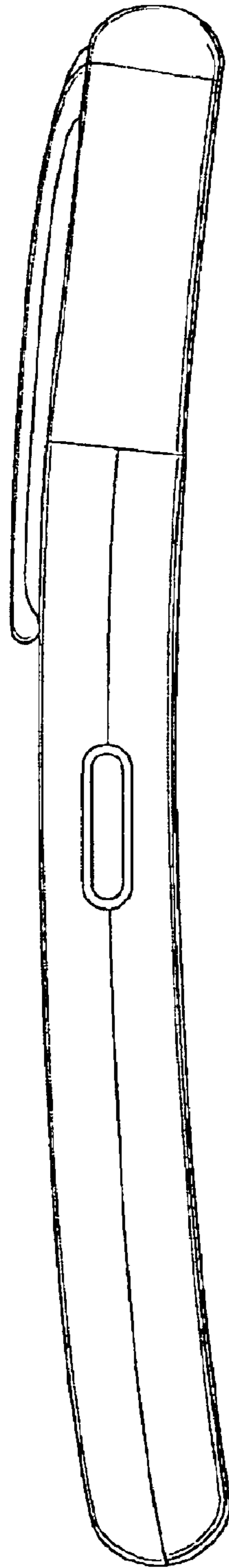


Fig. 11

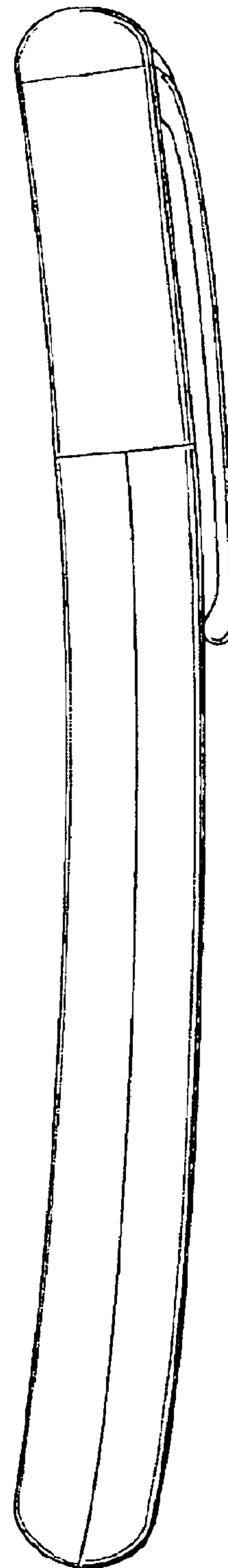


Fig. 12

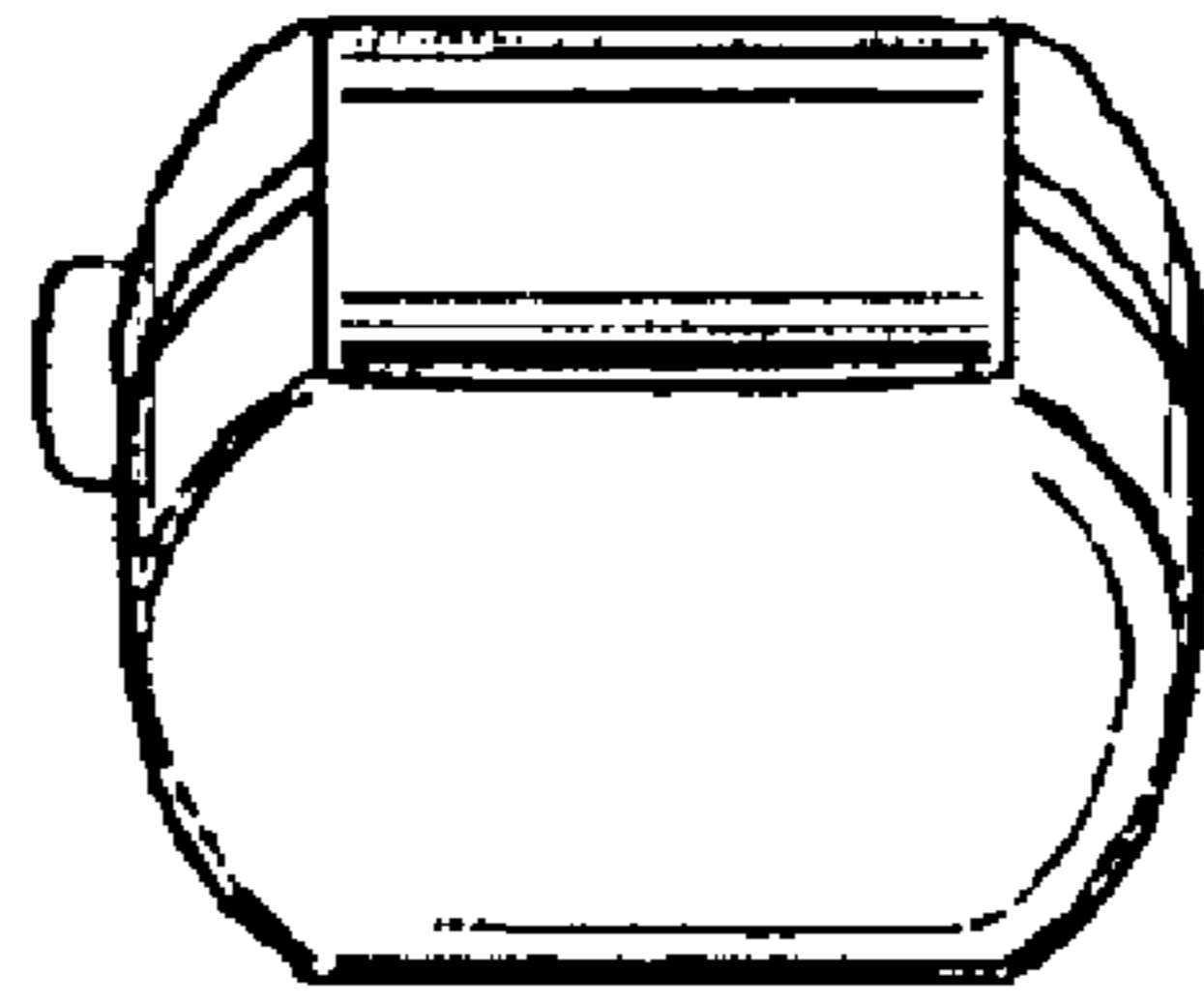


Fig. 13

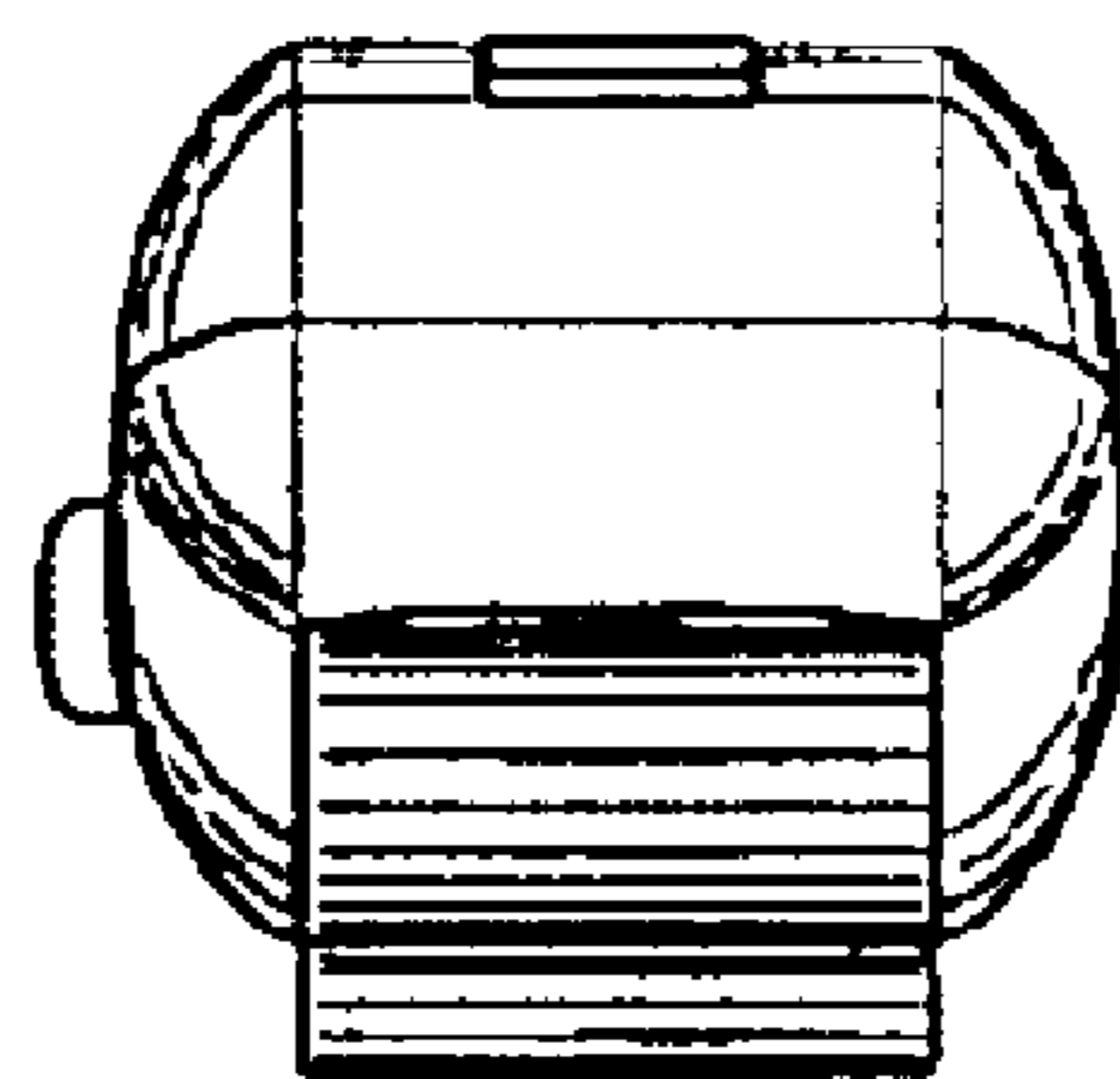


Fig. 14