

US00D509020S

(12) **United States Design Patent**
Lindsey

(10) **Patent No.:** **US D509,020 S**

(45) **Date of Patent:** **** Aug. 30, 2005**

(54) **FIREWORKS SAFETY LIGHTER**

D485,937 S * 1/2004 Chen D27/154

(76) **Inventor:** **Kevin M. Lindsey**, 8523 W. 88th St.,
Overland Park, KS (US) 66212

* cited by examiner

Primary Examiner—Jennifer Rivard

(74) *Attorney, Agent, or Firm*—Chase Law Firm, L.C.

(**) **Term:** **14 Years**

(57) **CLAIM**

(21) **Appl. No.:** **29/218,244**

I claim the ornamental design for a fireworks safety lighter,
as shown and described.

(22) **Filed:** **Nov. 30, 2004**

DESCRIPTION

(51) **LOC (8) Cl.** **27-05**

FIG. 1 is a perspective view of a fireworks lighter showing
my new design;

(52) **U.S. Cl.** **D27/142; D27/152**

FIG. 2 is a front elevational view thereof;

(58) **Field of Search** D27/141–143;
431/126, 151, 153, 253–255, 273–277

FIG. 3 is a rear elevational view thereof;

(56) **References Cited**

FIG. 4 is a top view thereof; and,

U.S. PATENT DOCUMENTS

FIG. 5 is a right side elevational view thereof.

D365,889 S * 1/1996 Kim D27/147

1 Claim, 2 Drawing Sheets

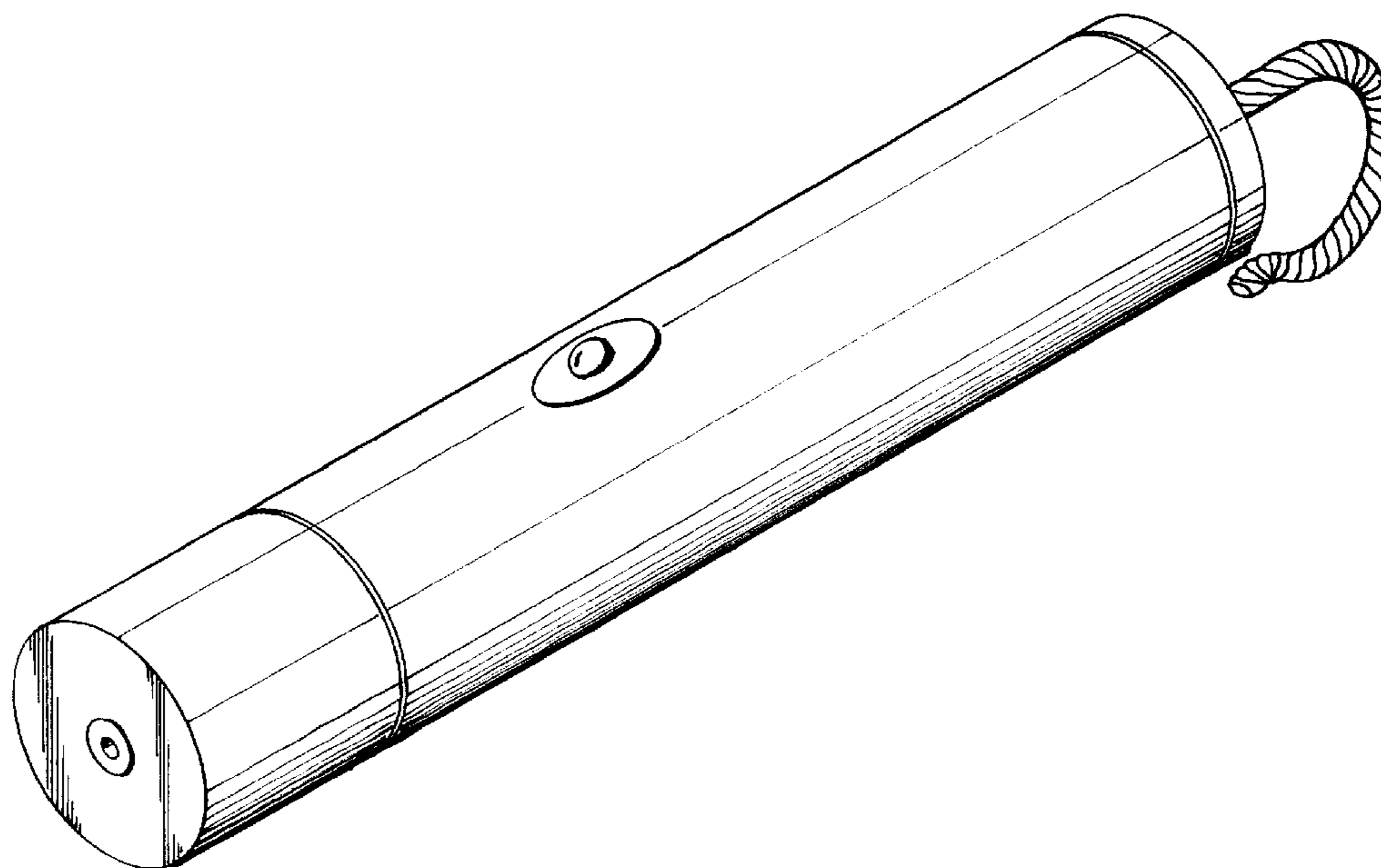
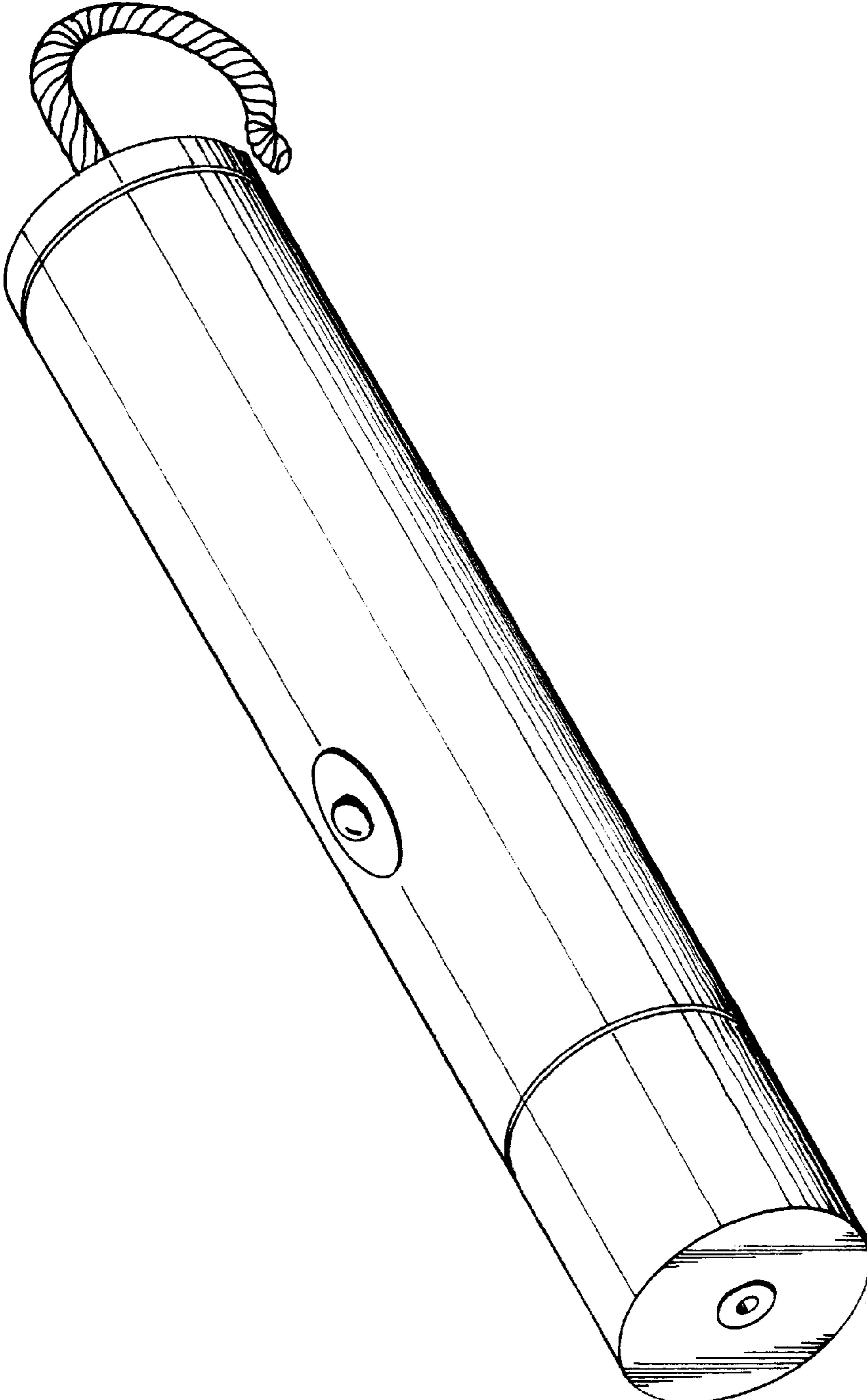


Fig. 1



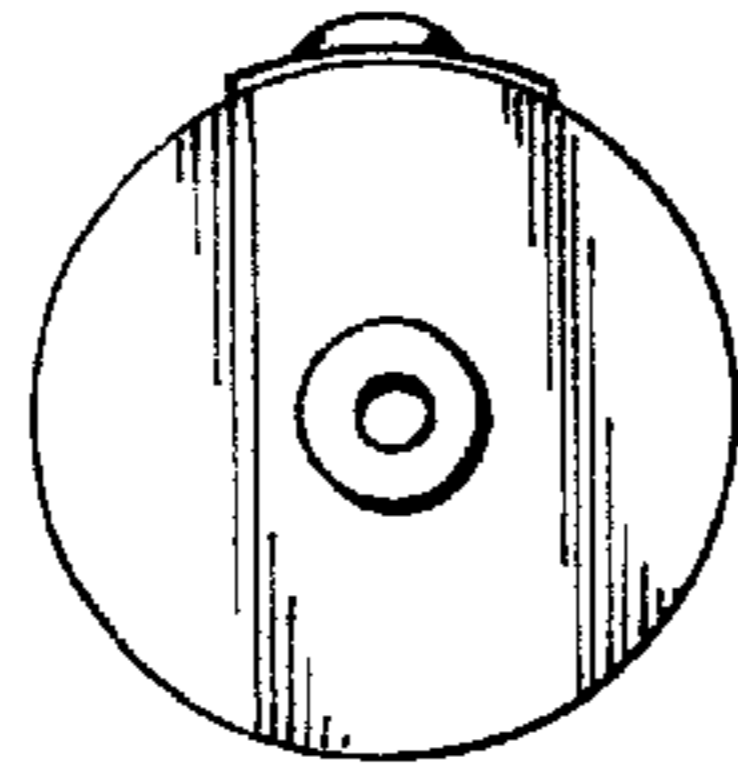


Fig. 2

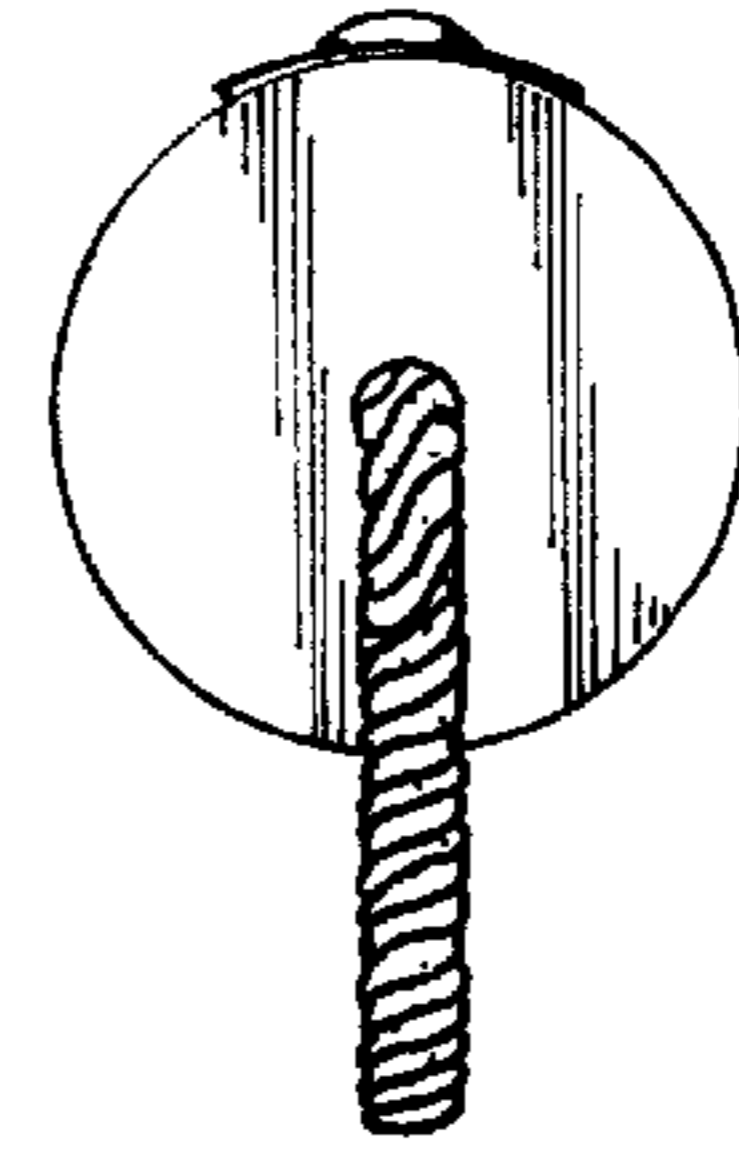


Fig. 3

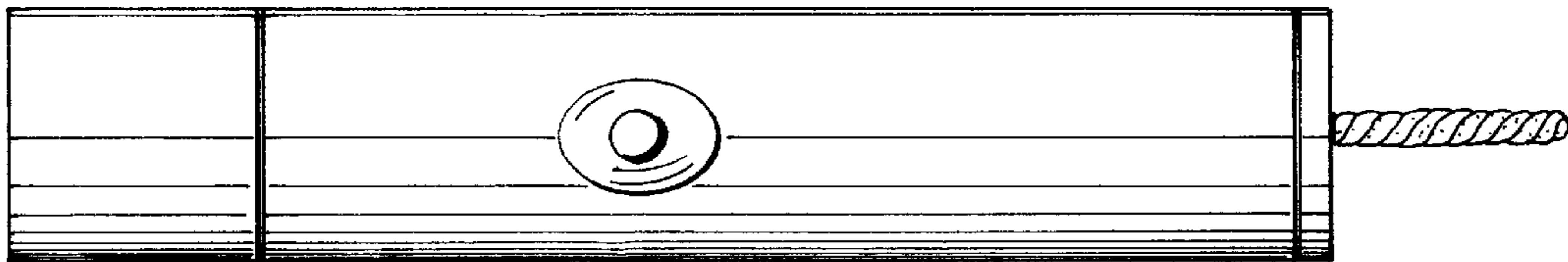


Fig. 4

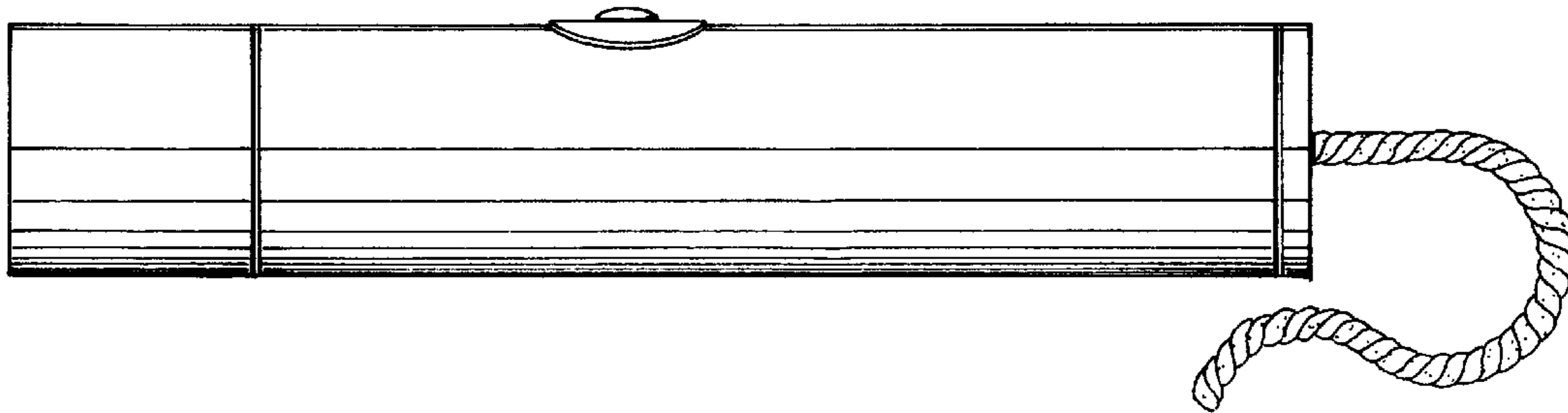


Fig. 5