

US00D509018S

(12) **United States Design Patent**
Barbeta et al.

(10) **Patent No.: US D509,018 S**

(45) **Date of Patent: ** Aug. 30, 2005**

(54) **LAMP**

(75) **Inventors: Hector Serrano Barbeta, London (GB); Carlos Riera Cortes, Barcelona (ES)**

(73) **Assignee: Metalarte, S.A., Barcelona (ES)**

(**) **Term: 14 Years**

(21) **Appl. No.: 29/203,572**

(22) **Filed: Apr. 16, 2004**

(30) **Foreign Application Priority Data**

Oct. 29, 2003 (EP) 92598

(51) **LOC (8) Cl. 26-03**

(52) **U.S. Cl. D26/112**

(58) **Field of Search D26/58, 93, 63, D26/105, 106, 108, 110, 112; 362/410-414, 127, 134; D6/399**

(56) **References Cited**

U.S. PATENT DOCUMENTS

D348,113 S * 6/1994 Swanson D26/63
D382,660 S * 8/1997 Lewis D26/58

* cited by examiner

Primary Examiner—Alan P. Douglas

Assistant Examiner—Linda Brooks

(74) *Attorney, Agent, or Firm*—Dennison, Schultz, Dougherty & MacDonald

(57) **CLAIM**

The ornamental design for a lamp, as shown and described.

DESCRIPTION

FIG. 1 is a perspective view;
FIG. 2 is an enlarged top view;
FIG. 3 is a front view; and,
FIG. 4 is an enlarged bottom view.

1 Claim, 4 Drawing Sheets

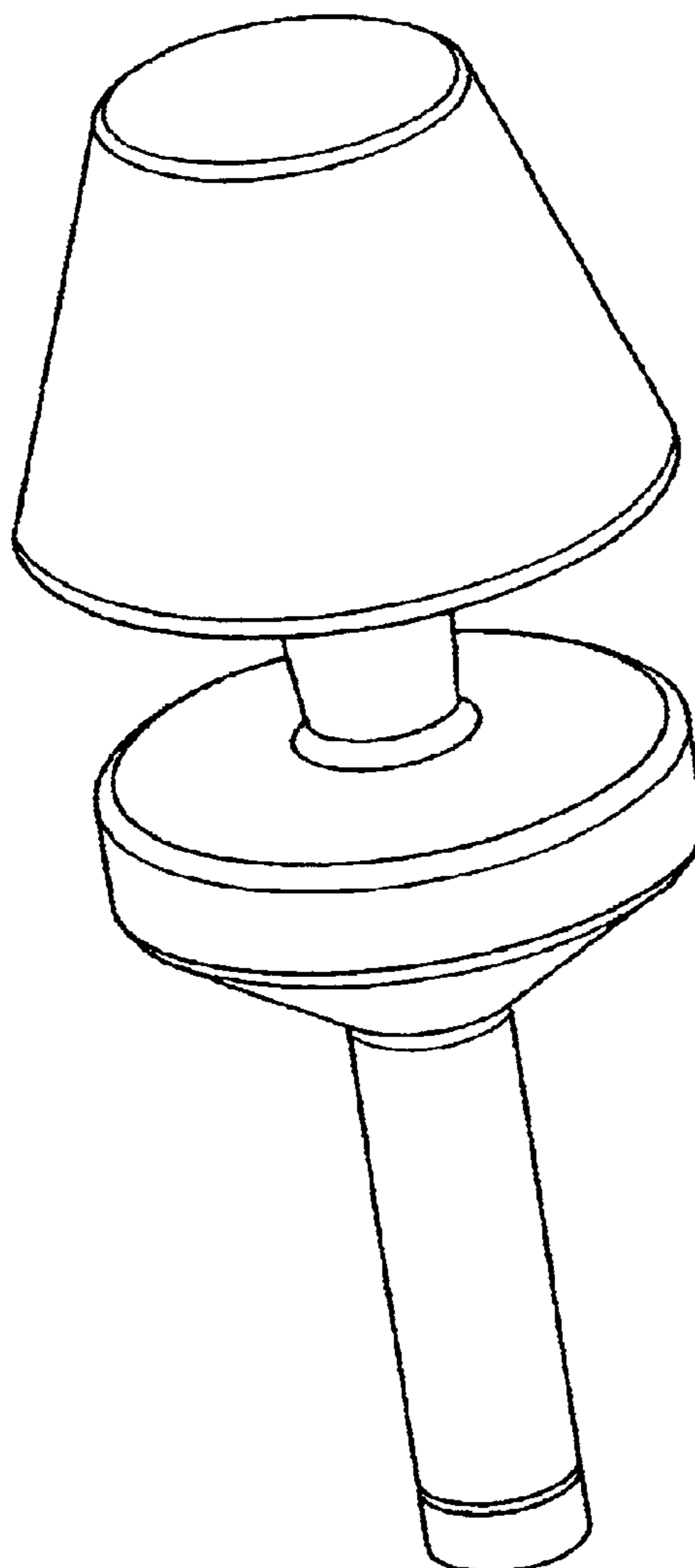


Figure 1

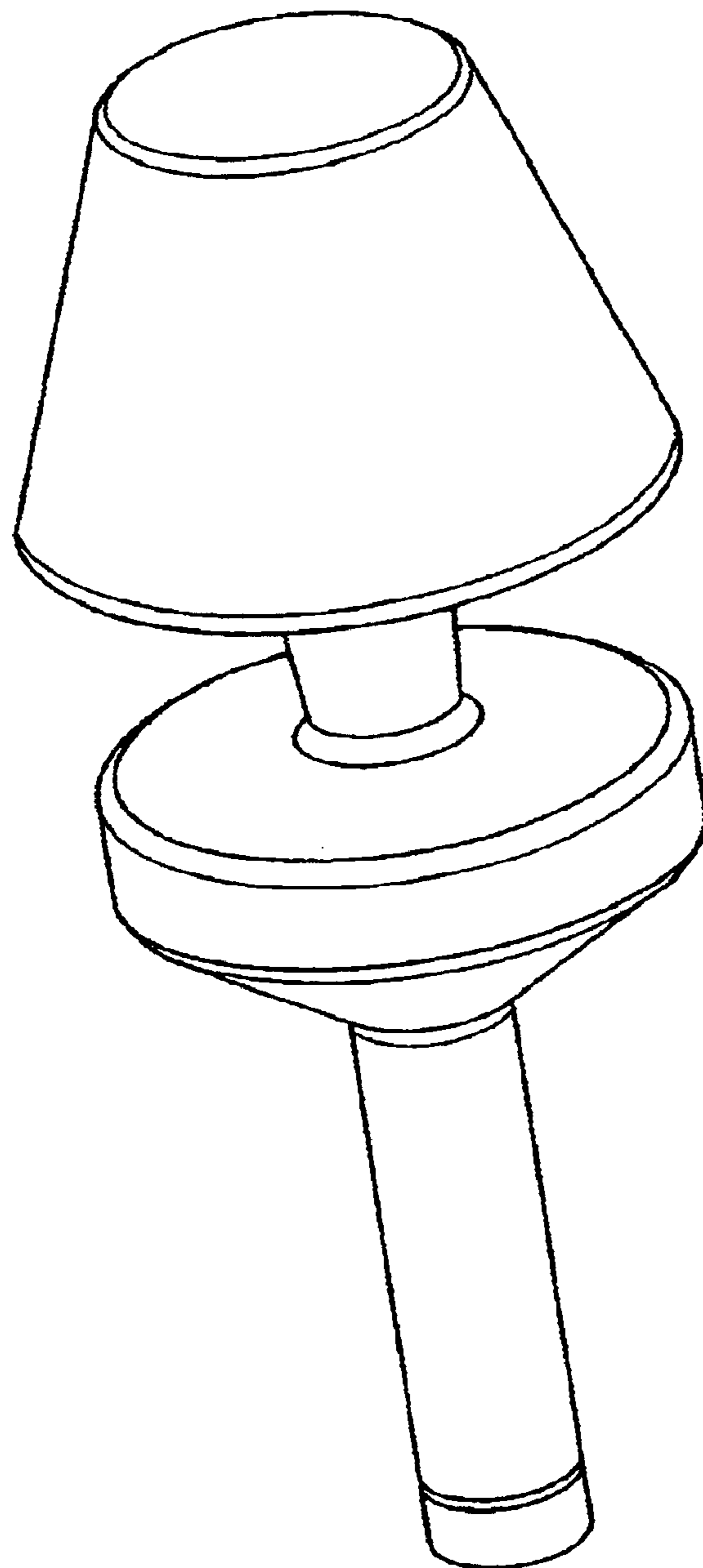


Figure 2

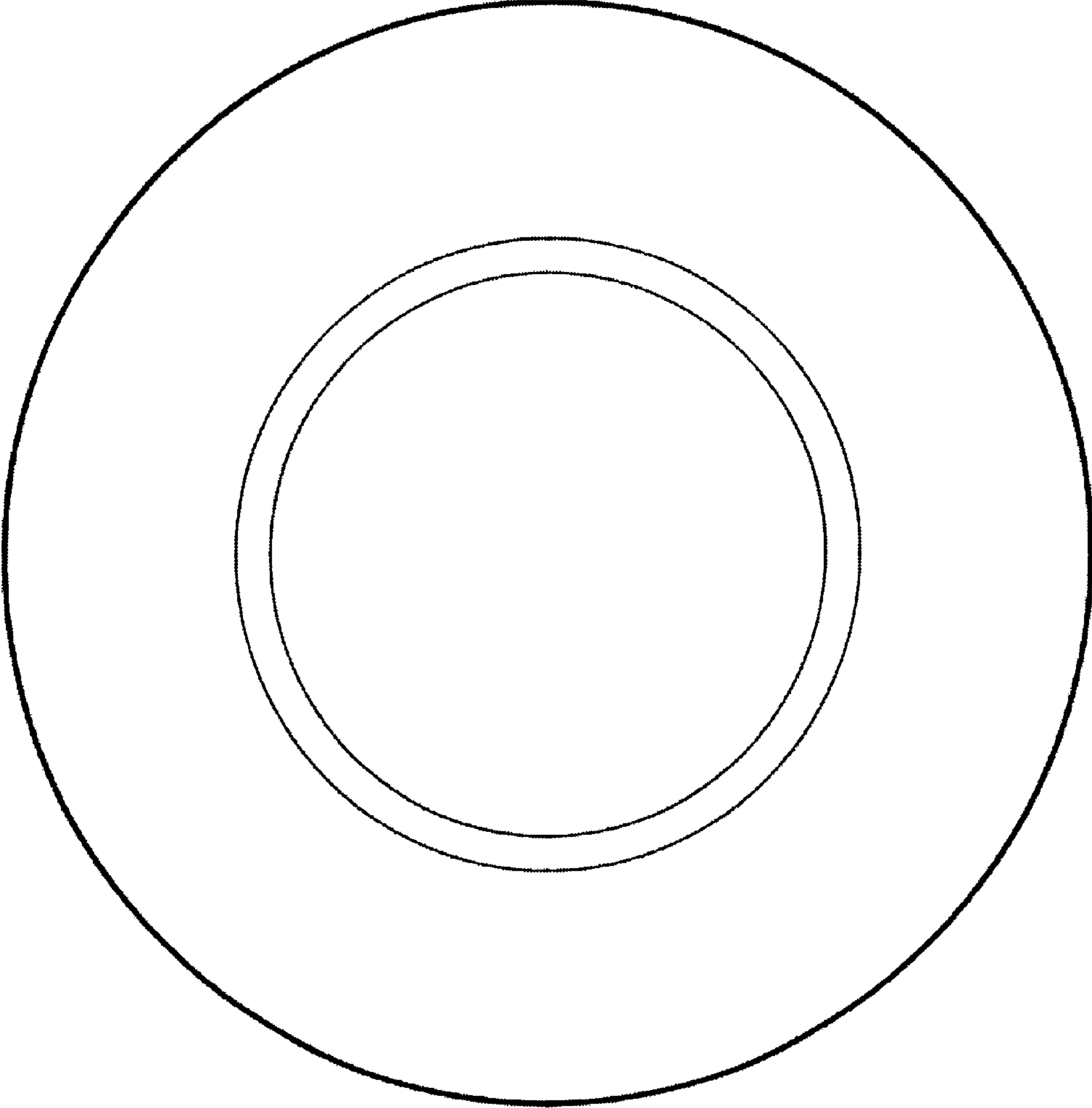


Figure 3

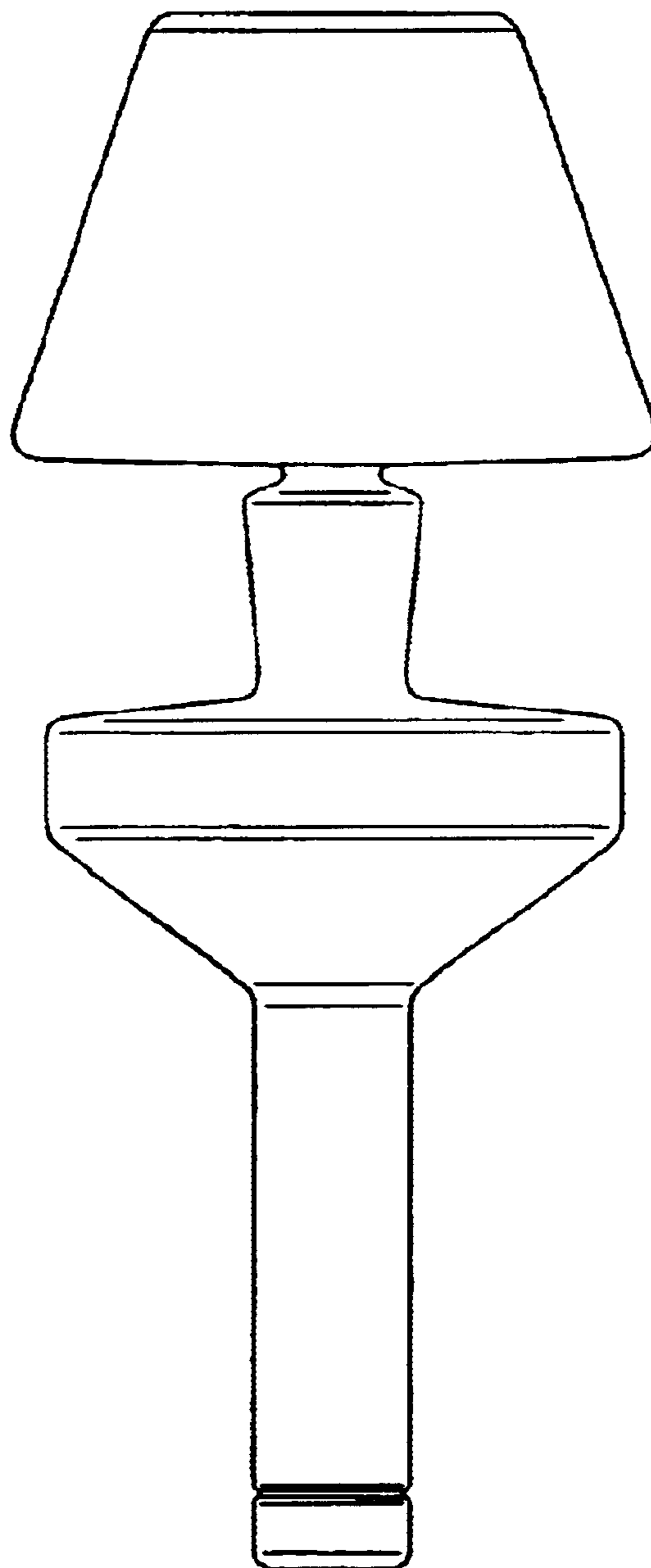


Figure 4

