



US00D509017S

(12) **United States Design Patent**  
**Rashidi**

(10) **Patent No.:** **US D509,017 S**

(45) **Date of Patent:** **\*\* Aug. 30, 2005**

(54) **ENCLOSED COLORED DIAMOND SHAPED FROSTED DROP OPAL LENS TRIM**

(76) **Inventor:** **Hamid Rashidi**, 139 N. Clark Dr., Beverly Hills, CA (US) 90211

(\*\*) **Term:** **14 Years**

(21) **Appl. No.:** **29/208,294**

(22) **Filed:** **Jun. 24, 2004**

(51) **LOC (8) Cl.** ..... **26-05**

(52) **U.S. Cl.** ..... **D26/74; D26/120**

(58) **Field of Search** ..... D26/74, 118, 120, D26/122-124; 362/147, 296, 300, 235, 301, 307, 310, 311, 347-350, 364-366

(56) **References Cited**

**U.S. PATENT DOCUMENTS**

D68,604 S	*	10/1925	Stephens	.....	D26/123
D325,651 S	*	4/1992	Sonneman	.....	D26/152
D362,081 S	*	9/1995	Bilbrey	.....	D26/120
D387,466 S	*	12/1997	Lecluze	.....	D26/118
6,053,625 A	*	4/2000	Bowker	.....	362/348
D476,108 S	*	6/2003	Lecluze	.....	D26/74

**FOREIGN PATENT DOCUMENTS**

WO DM/065800 \* 6/2004

**OTHER PUBLICATIONS**

Seagull Lighting Catalog No. 04-A (C)2003. Item 1237-15 shown on bottom row of p. 415.□□(1 page).\*

\* cited by examiner

*Primary Examiner*—Clare E Heflin

(74) *Attorney, Agent, or Firm*—Thomas I. Rozsa; Tony D. Chen

(57) **CLAIM**

The Ornamental design for an enclosed colored diamond shaped frosted drop opal lens trim, as shown and described.

**DESCRIPTION**

FIG. 1 is a perspective view of the enclosed colored diamond shaped frosted drop opal lens trim, showing my design;

FIG. 2 is a top plan view;

FIG. 3 is a bottom plan view;

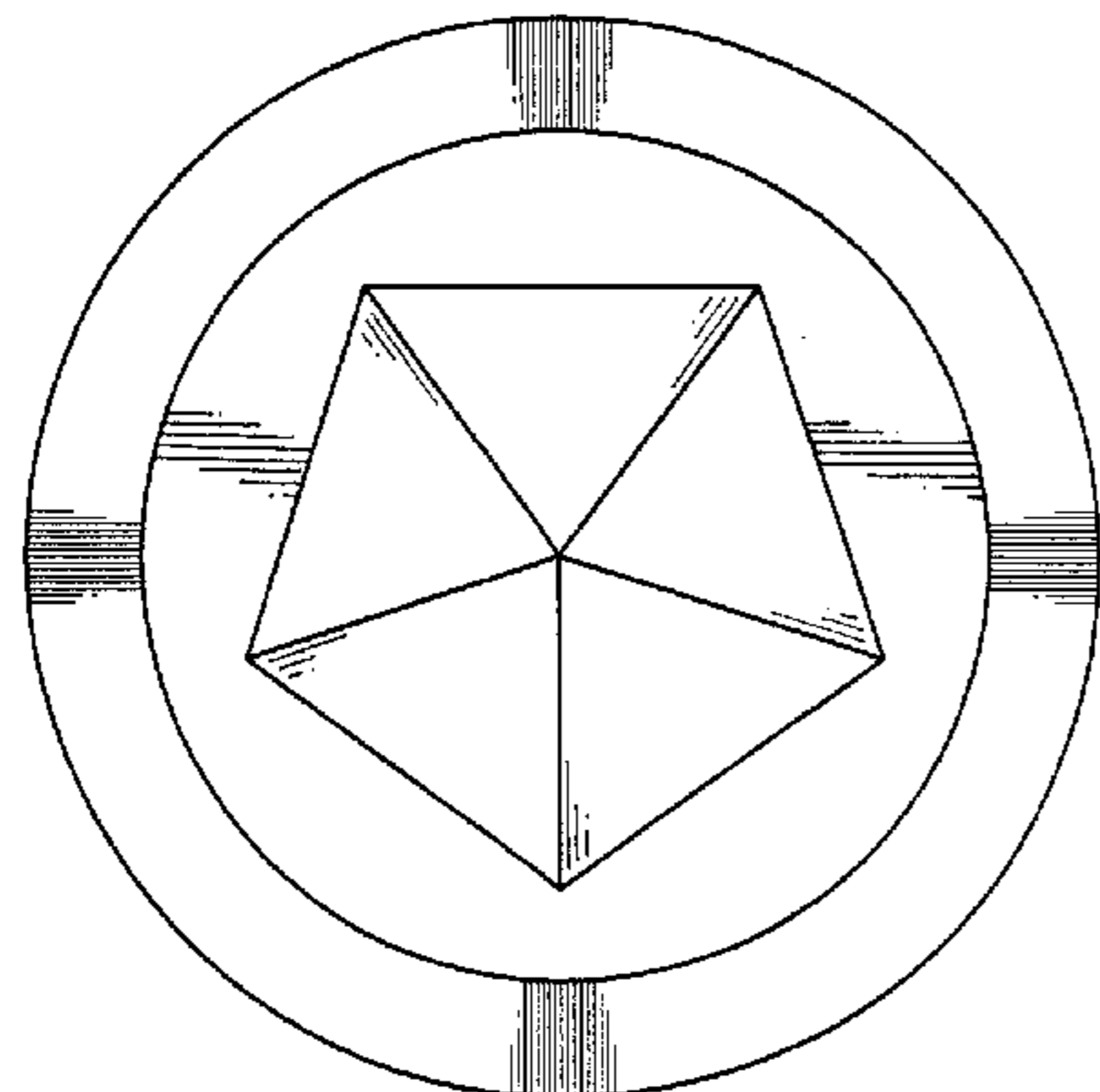
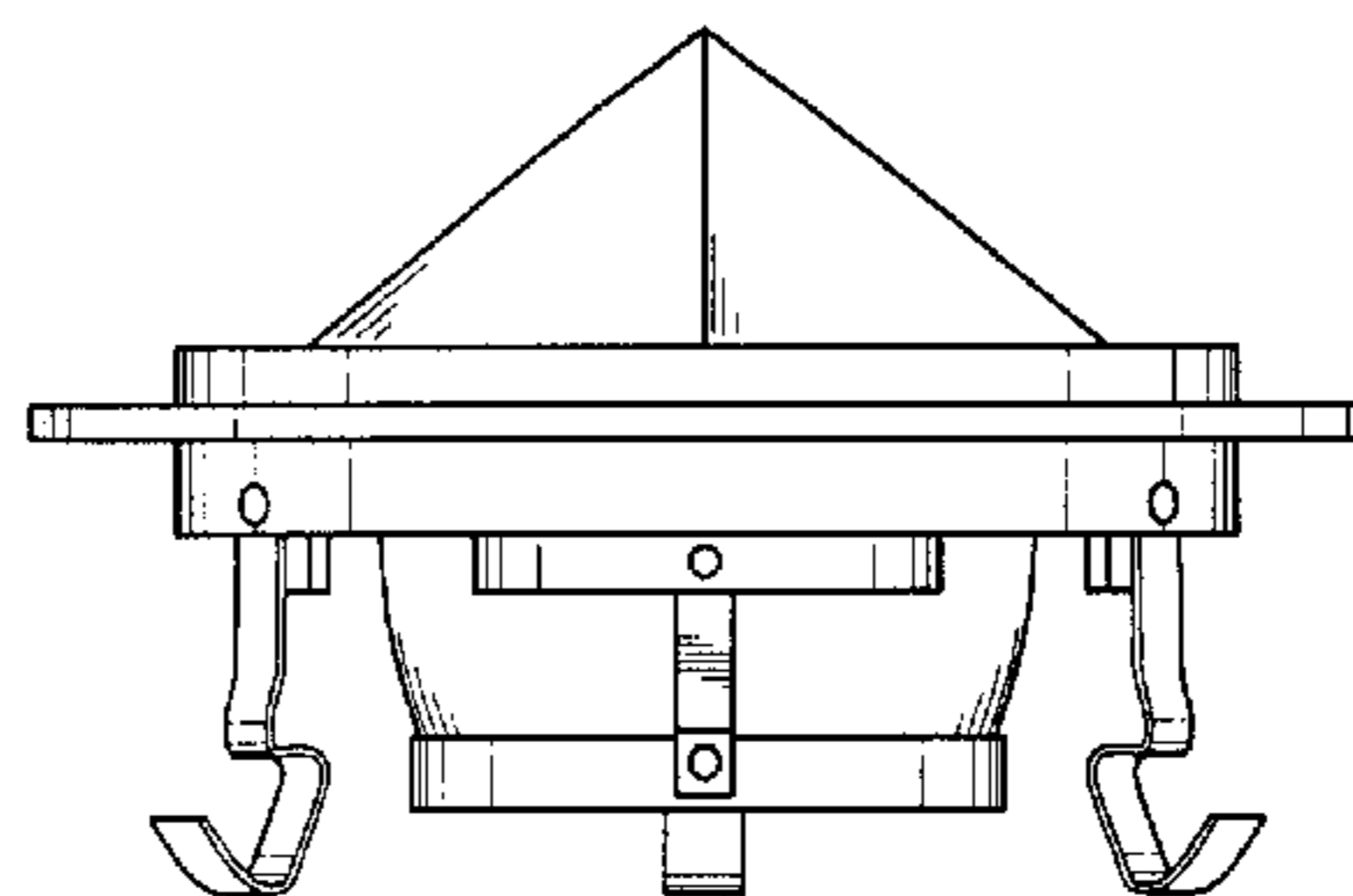
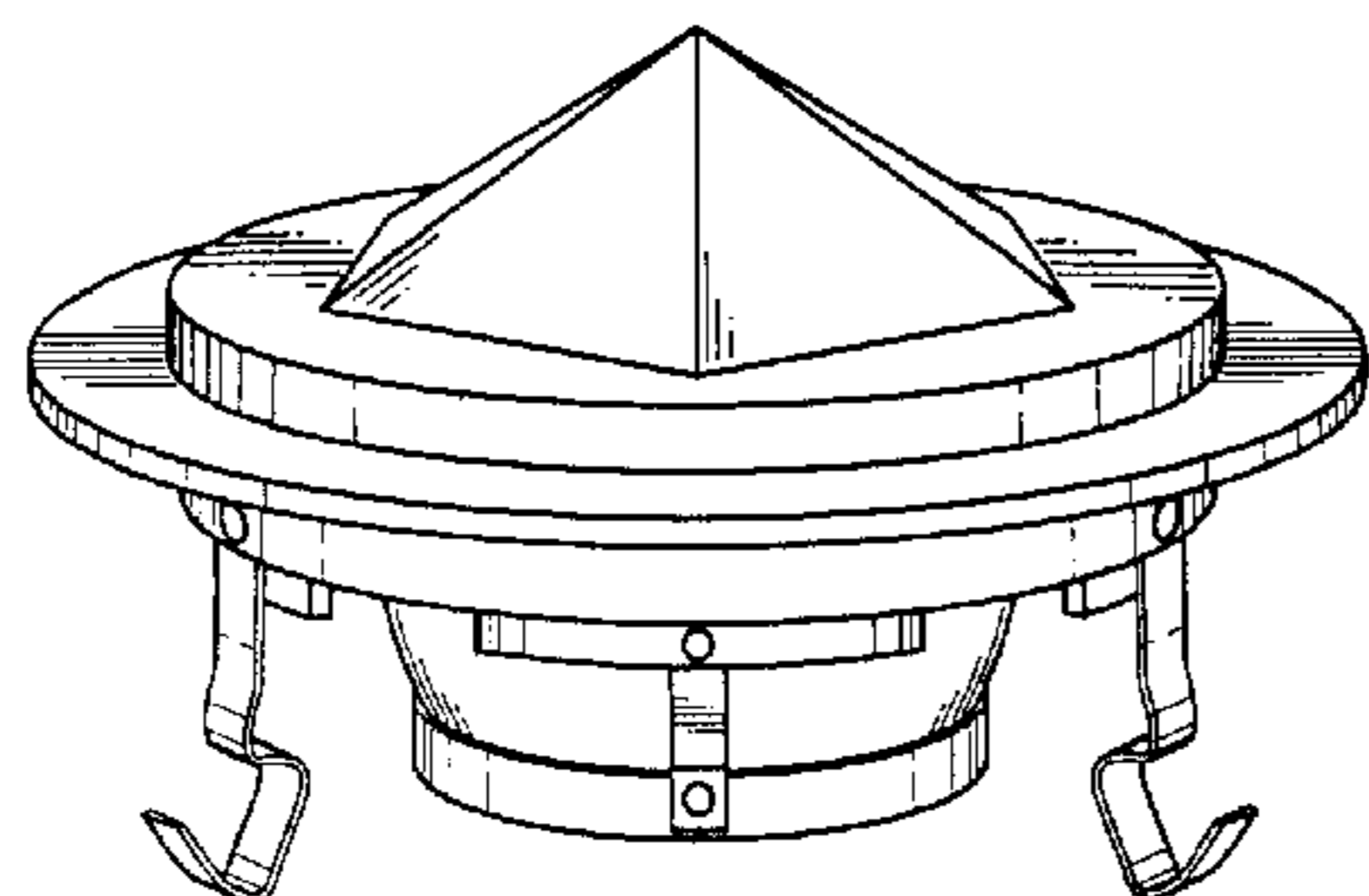
FIG. 4 is a front elevational view;

FIG. 5 is a rear elevational view;

FIG. 6 is a side elevational view when viewed from the right side; and,

FIG. 7 is a side elevational view when viewed from the left side.

**1 Claim, 2 Drawing Sheets**



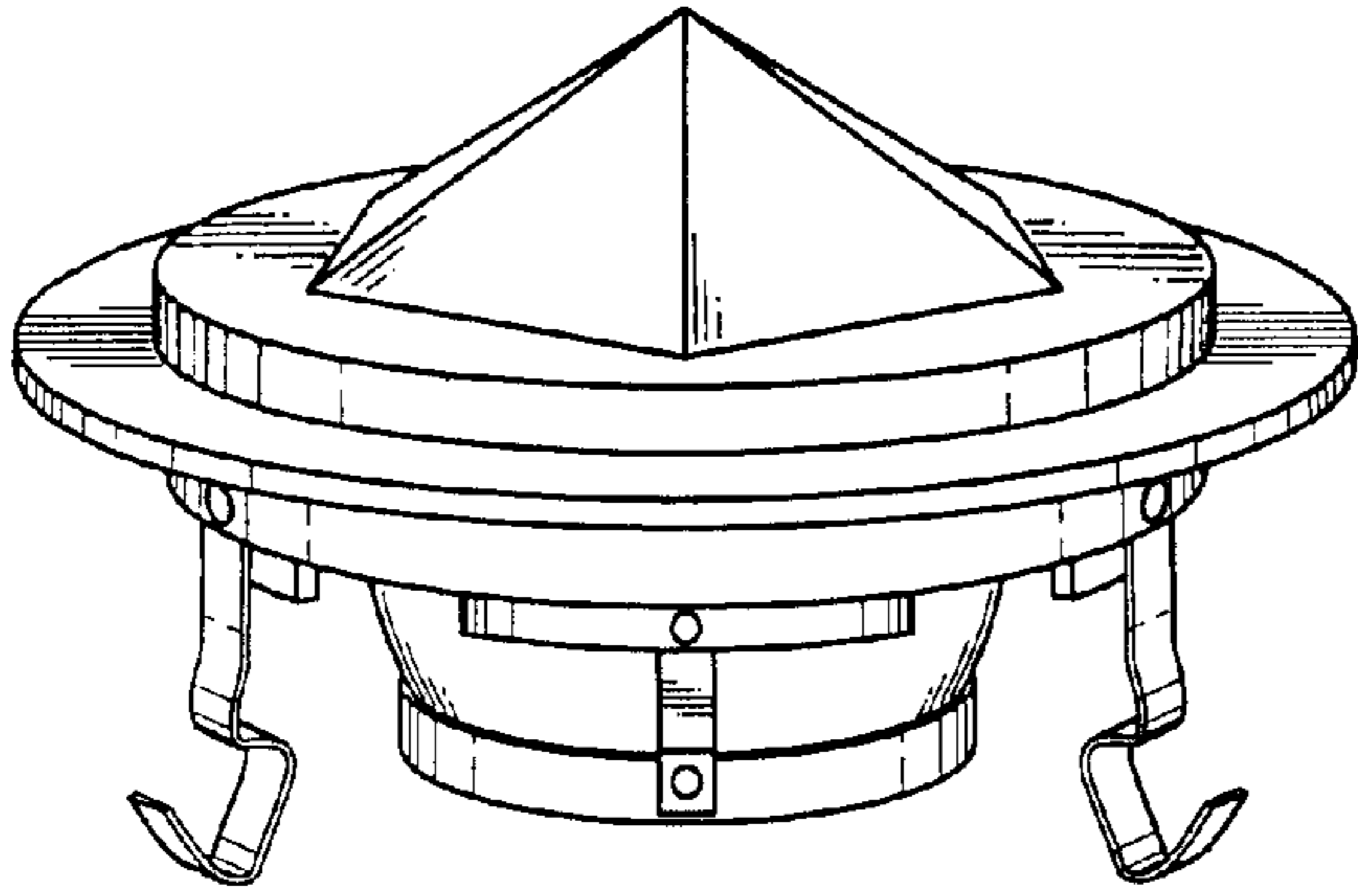


FIG. 1

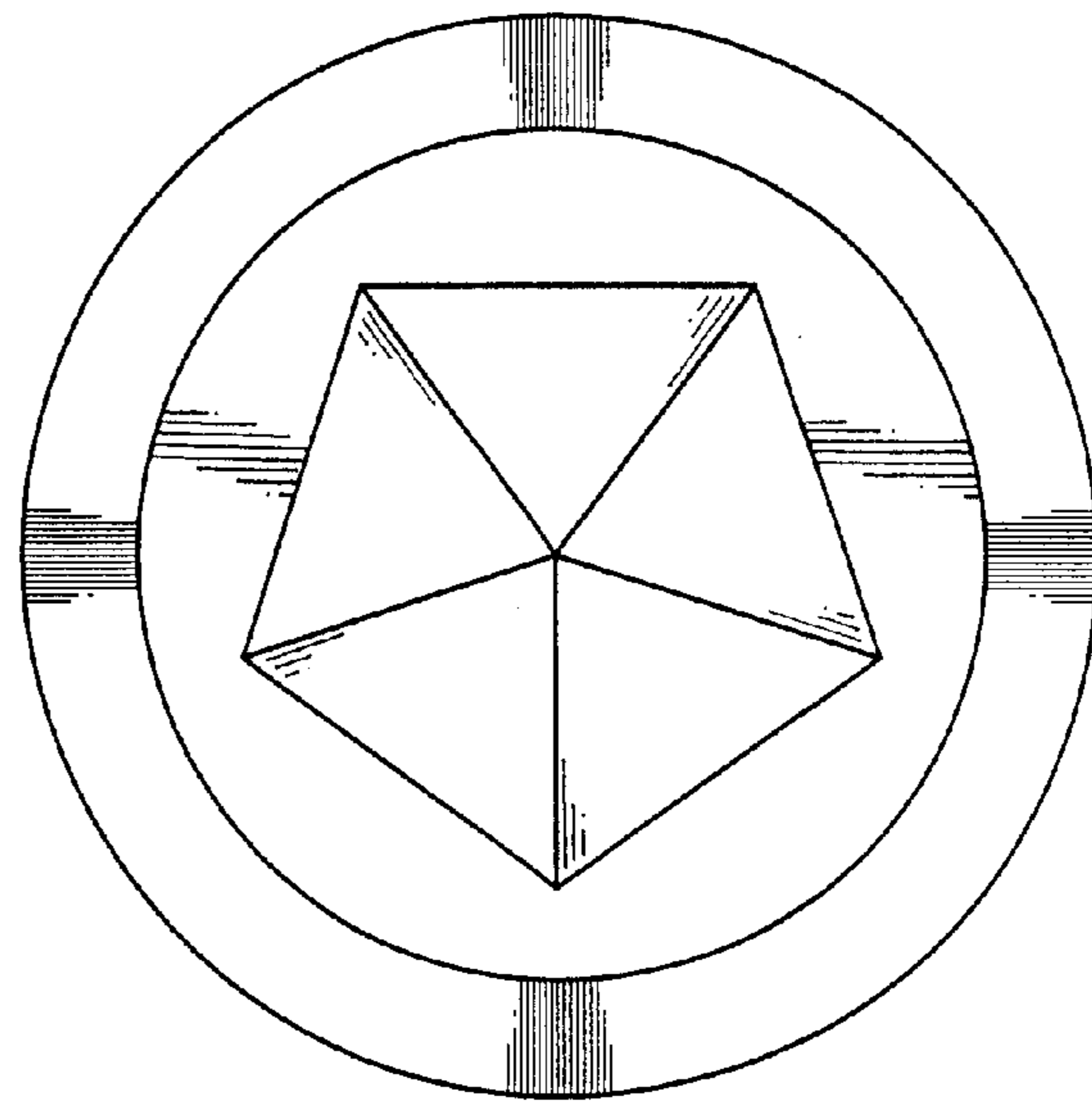


FIG. 2

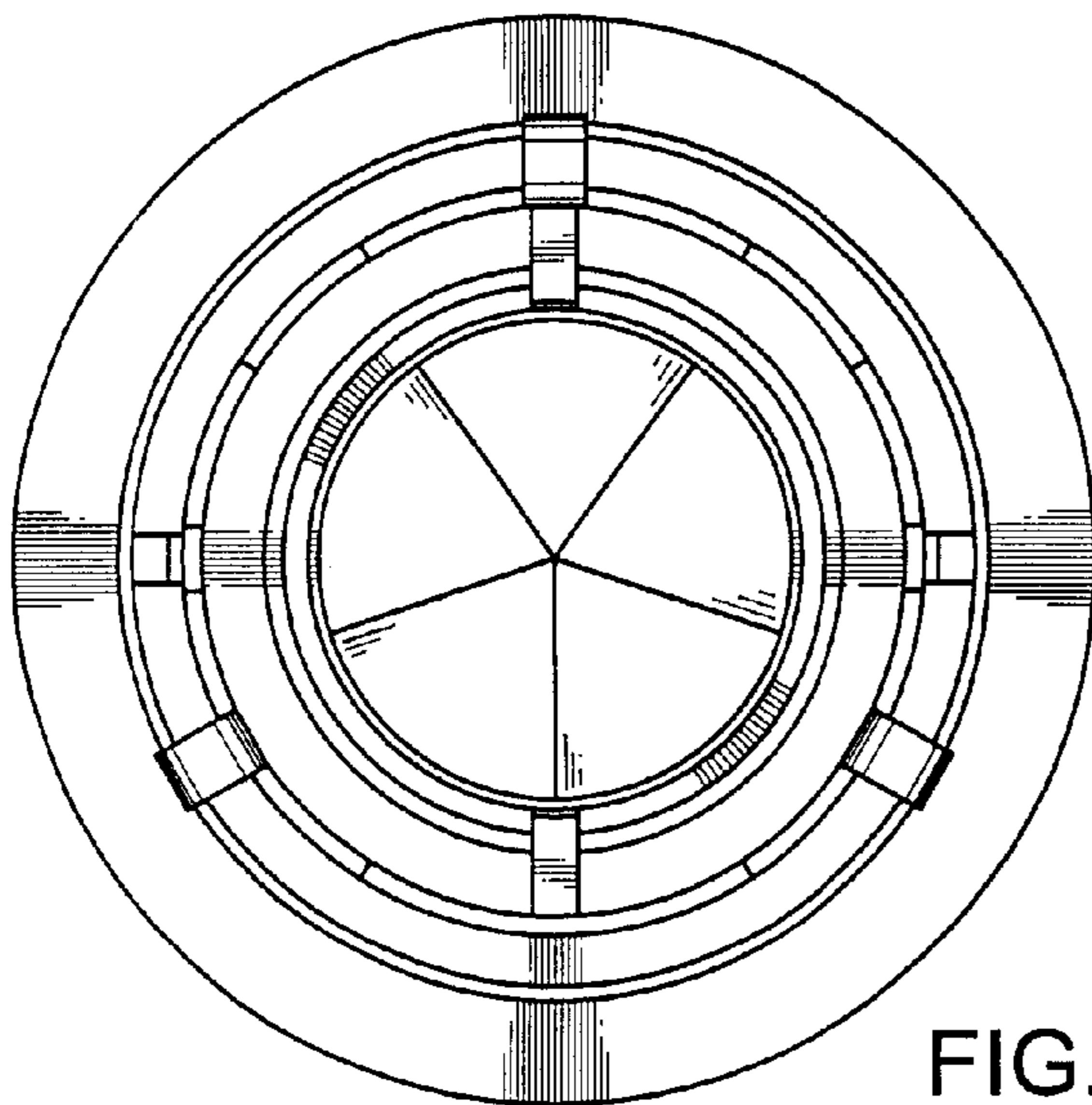


FIG. 3

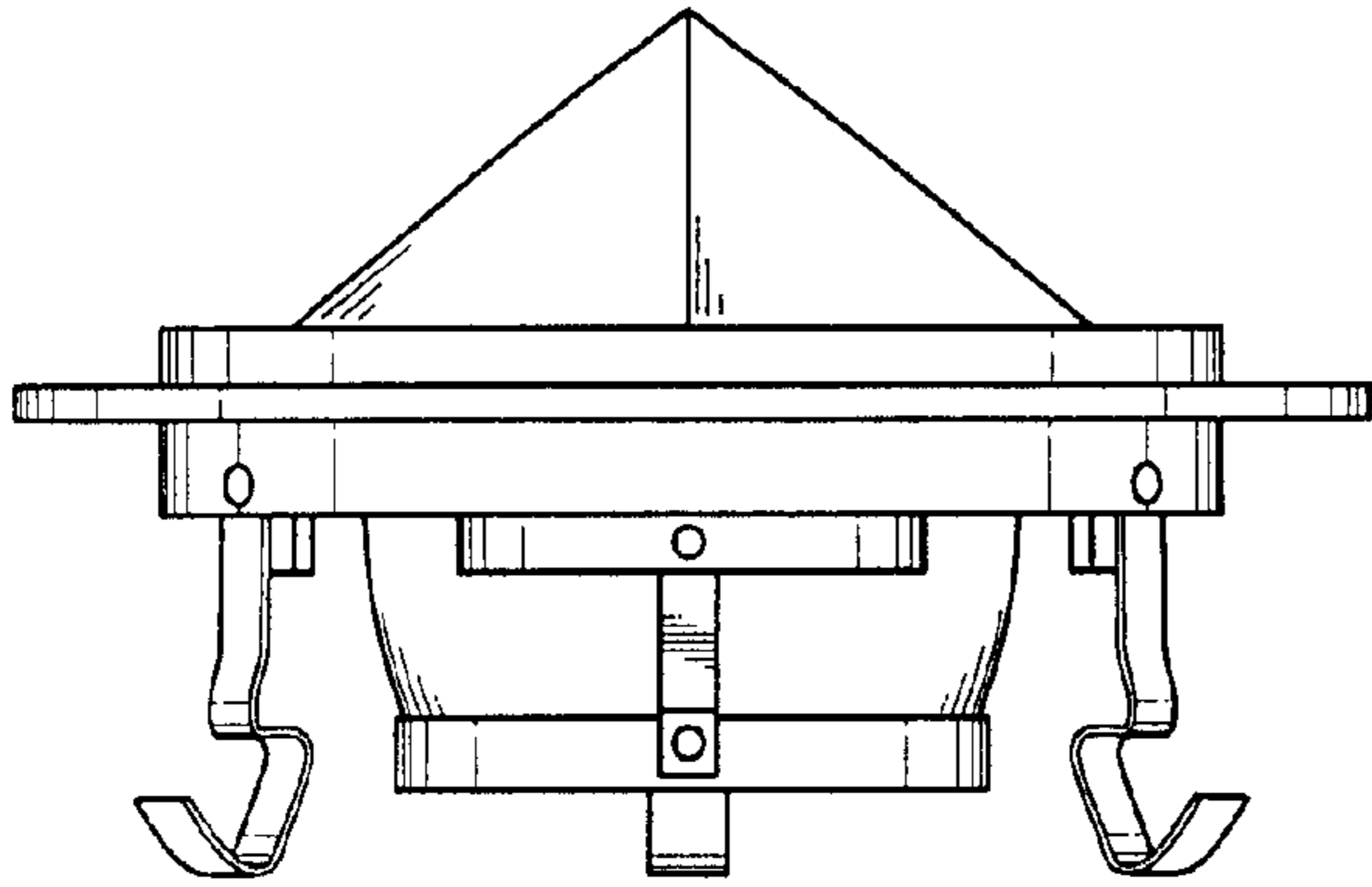


FIG. 4

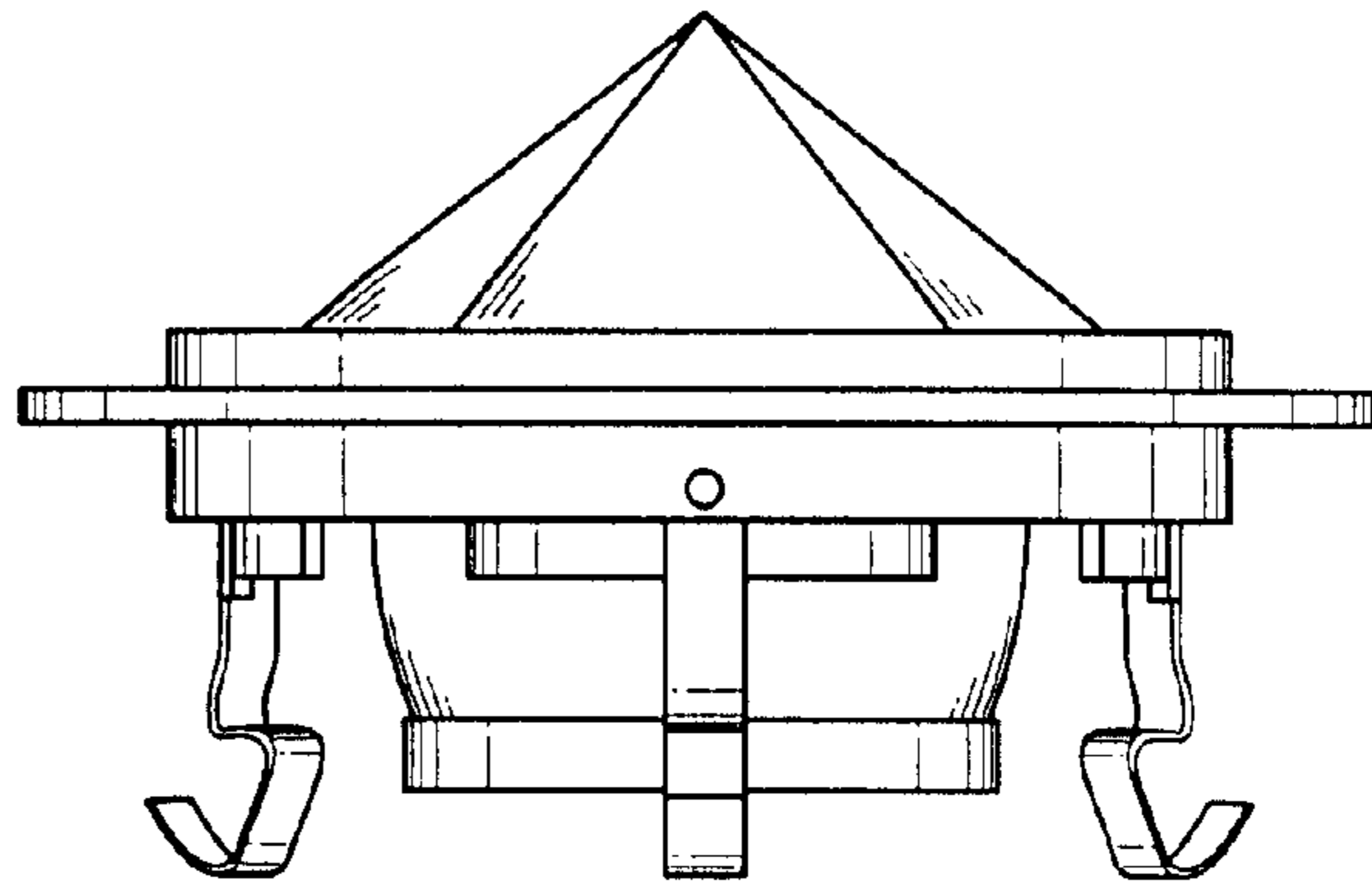


FIG. 5

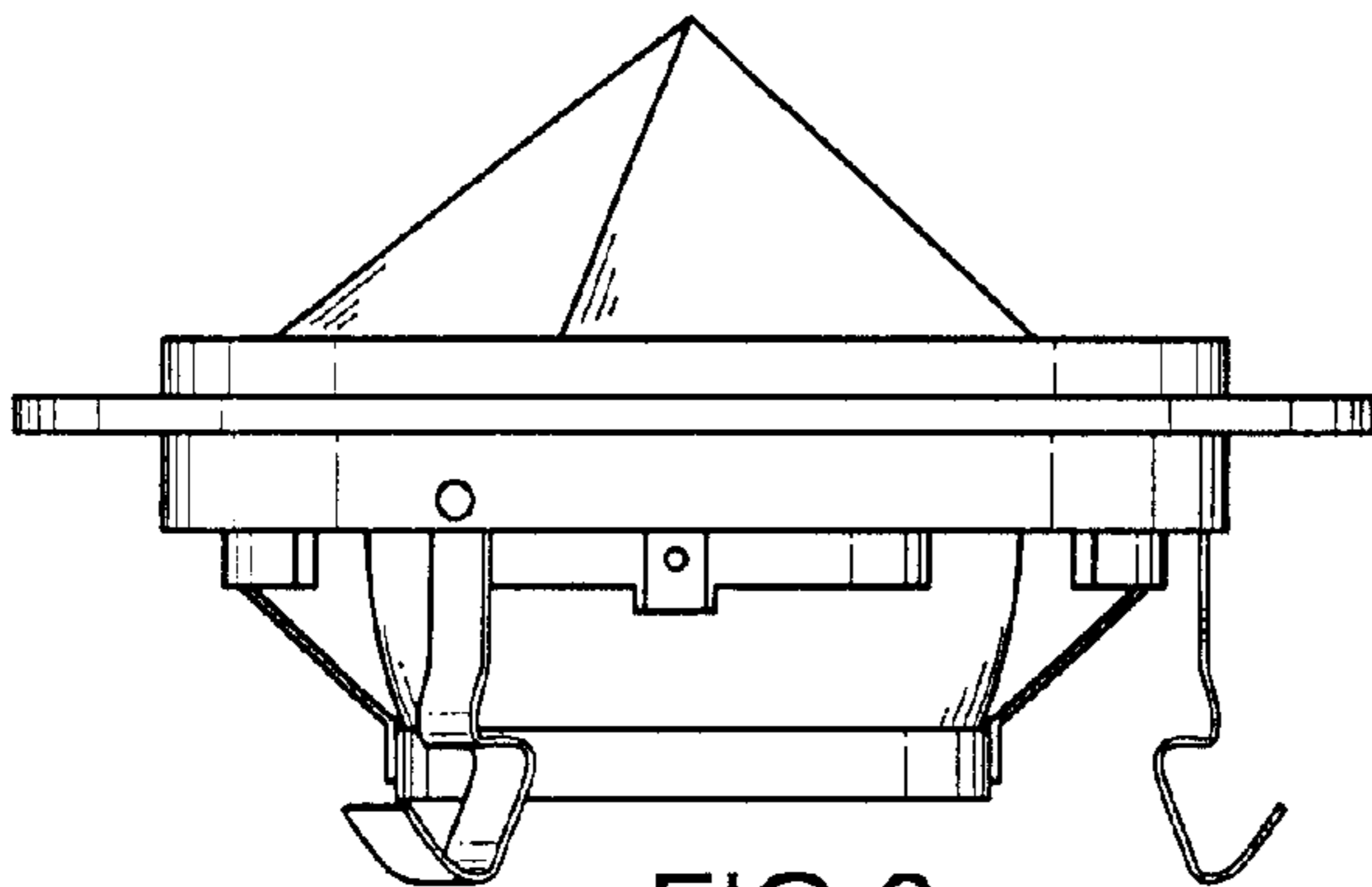


FIG. 6

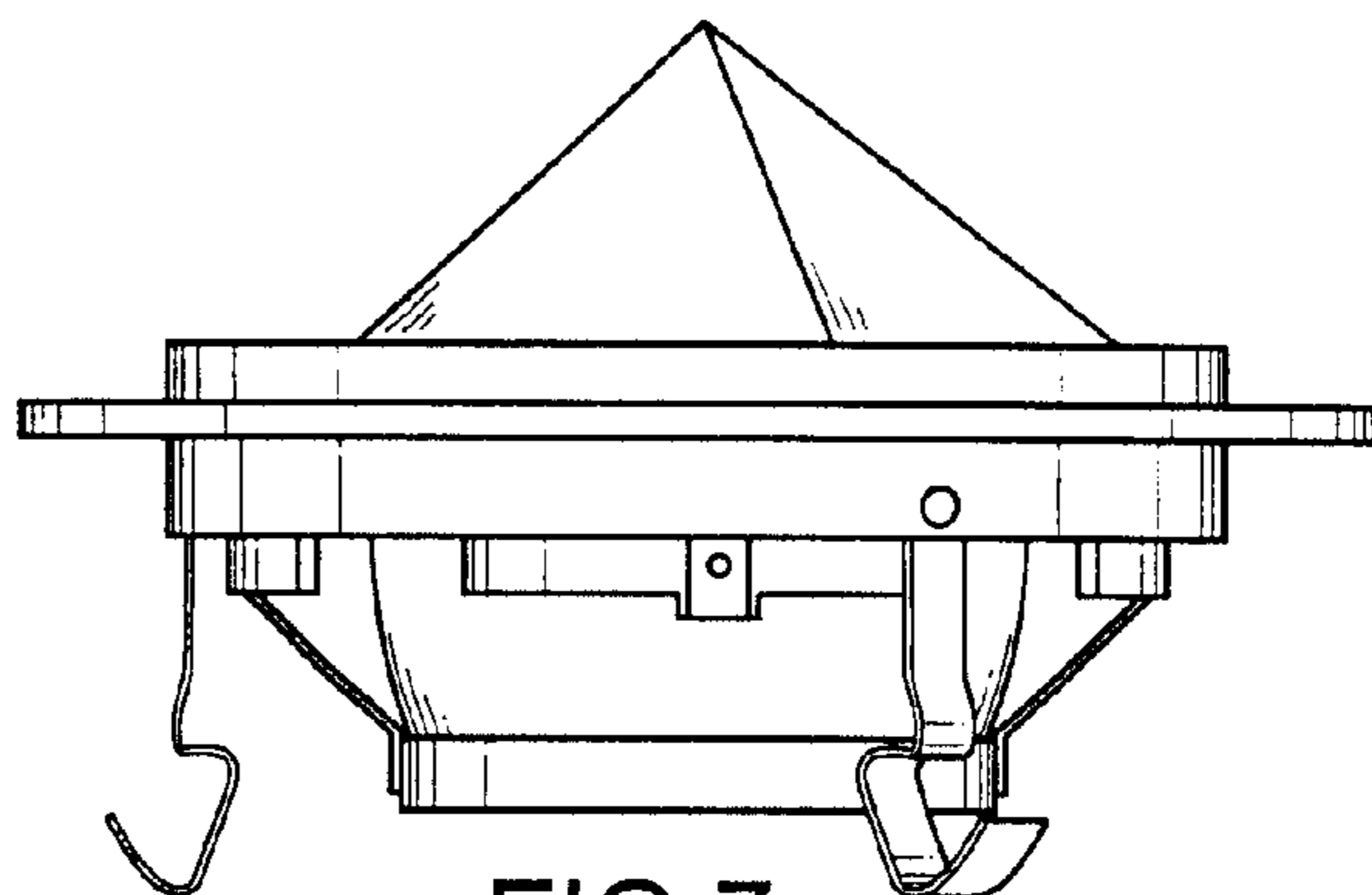


FIG. 7