

US00D509014S

(12) **United States Design Patent**
Bonneville

(10) **Patent No.:** **US D509,014 S**
(45) **Date of Patent:** **** Aug. 30, 2005**

(54) **ADJUSTABLE TRIPOD-LIGHTING DEVICE**

(75) **Inventor:** **Joseph N. Bonneville**, Helendale, CA (US)

(73) **Assignee:** **Joe Bonneville**, Kelle, TX (US)

(**) **Term:** **14 Years**

(21) **Appl. No.:** **29/204,961**

(22) **Filed:** **May 7, 2004**

(51) **LOC (8) Cl.** **26-05**

(52) **U.S. Cl.** **D26/63; D16/244**

(58) **Field of Search** D26/60-66; 362/190, 362/191, 220, 253, 269, 270, 275, 277-280, 282, 421, 285-289, 410-414, 418, 419; D16/244, 130, 132; 248/149, 150, 163.1, 165, 176.1, 177.1, 431, 188.1-188.7; 359/399, 410, 430

(56) **References Cited**

U.S. PATENT DOCUMENTS

2,165,562 A 7/1939 Mack et al.
3,593,016 A 7/1971 Gerdel

D324,584 S 3/1992 Beavers et al.
5,572,188 A 11/1996 McDowell, II
D377,540 S * 1/1997 Lewthwaite D26/64
5,964,524 A 10/1999 Qian
6,019,484 A 2/2000 Seyler
6,474,844 B1 11/2002 Ching

* cited by examiner

Primary Examiner—Alan P. Douglas

Assistant Examiner—Linda Brooks

(74) *Attorney, Agent, or Firm*—Ashkan Najafi, P.A.

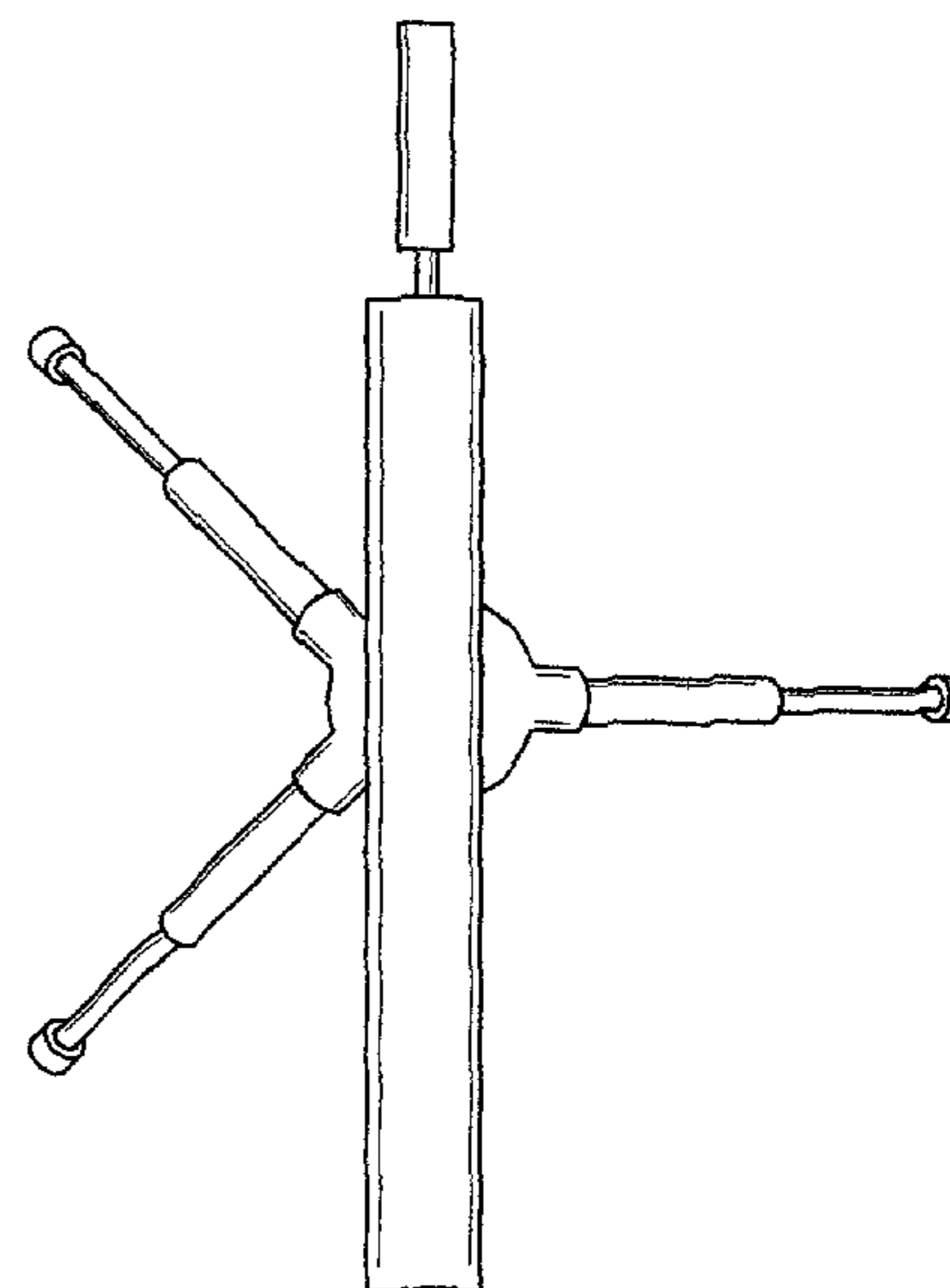
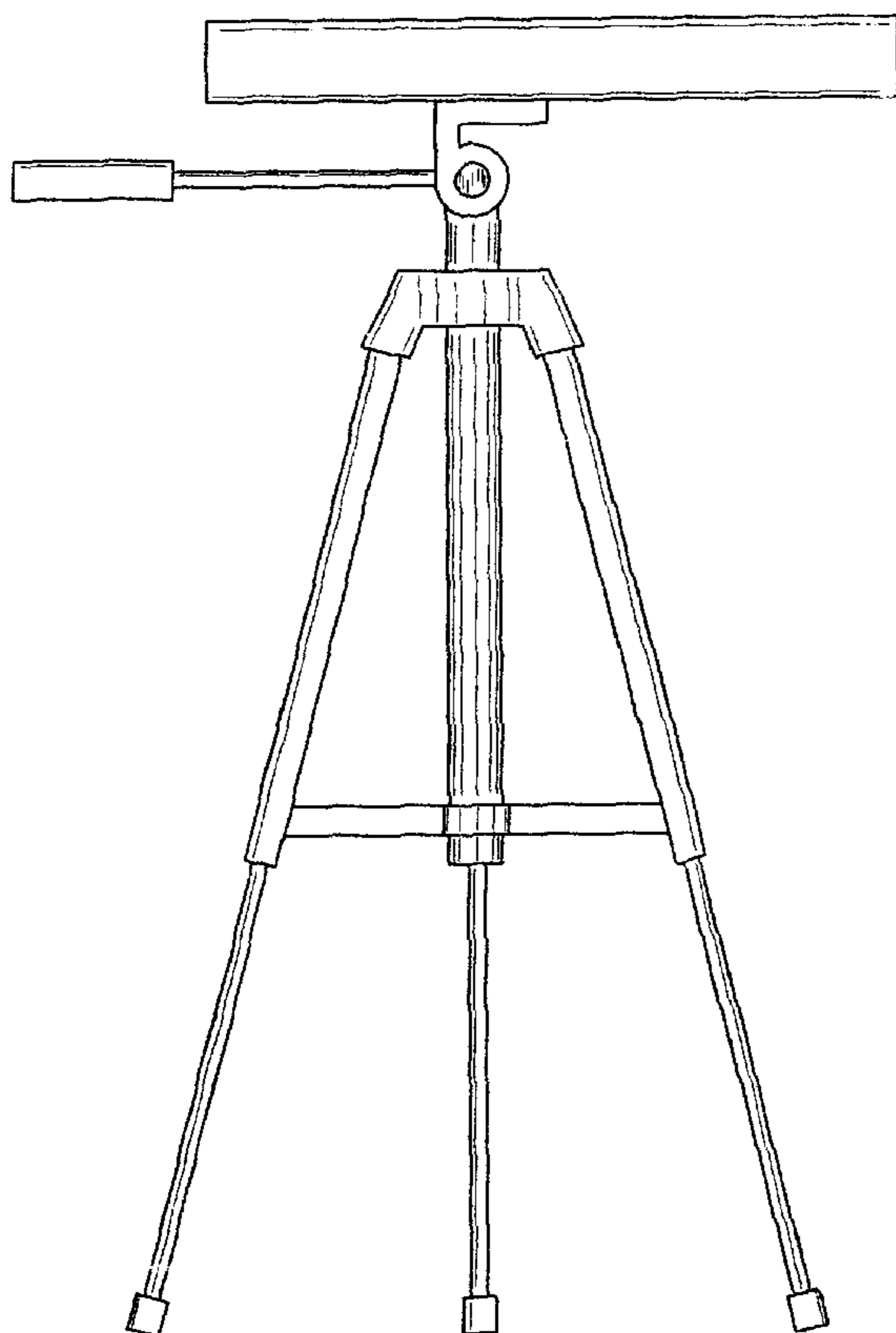
(57) **CLAIM**

The ornamental design for an adjustable tripod-lighting device, as shown and described.

DESCRIPTION

FIG. 1 is a front elevational view of an adjustable tripod-lighting device showing my new design; FIG. 2 is a rear elevational view thereof; FIG. 3 is a left side elevational view thereof; FIG. 4 is a right elevational view thereof; FIG. 5 is a top plan view thereof; and, FIG. 6 is a bottom plan view thereof.

1 Claim, 3 Drawing Sheets



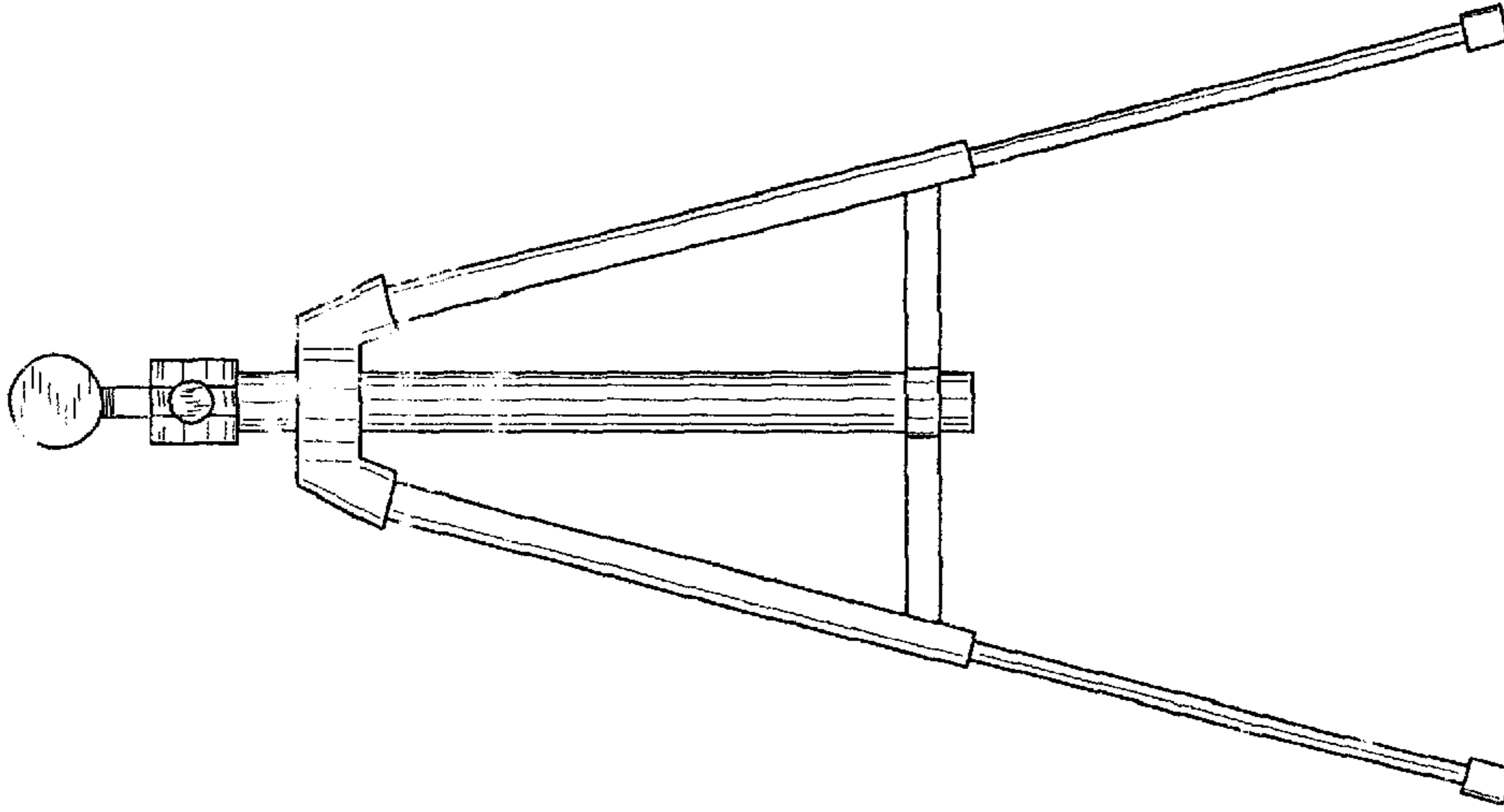


FIG. 2

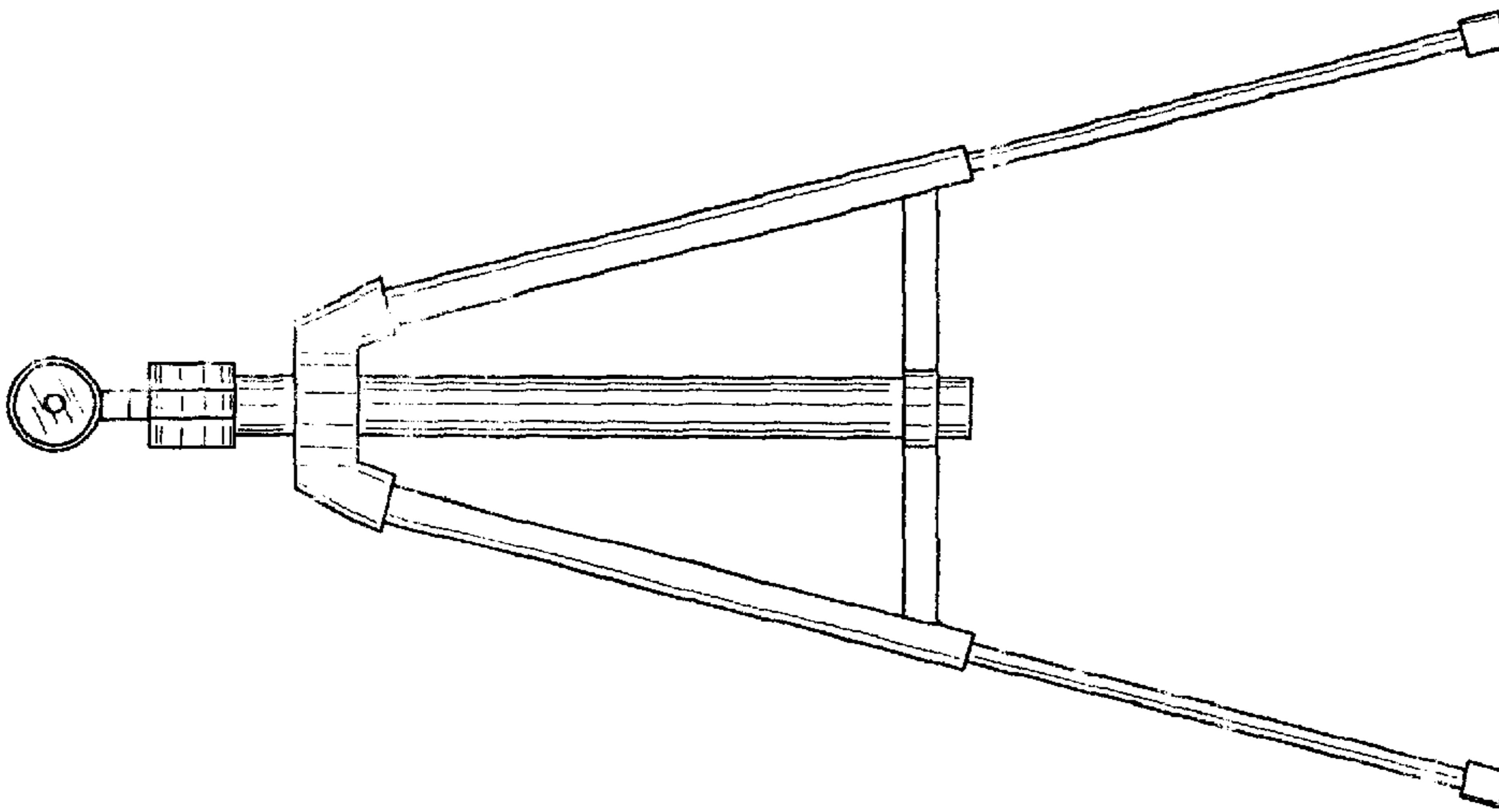


FIG. 1

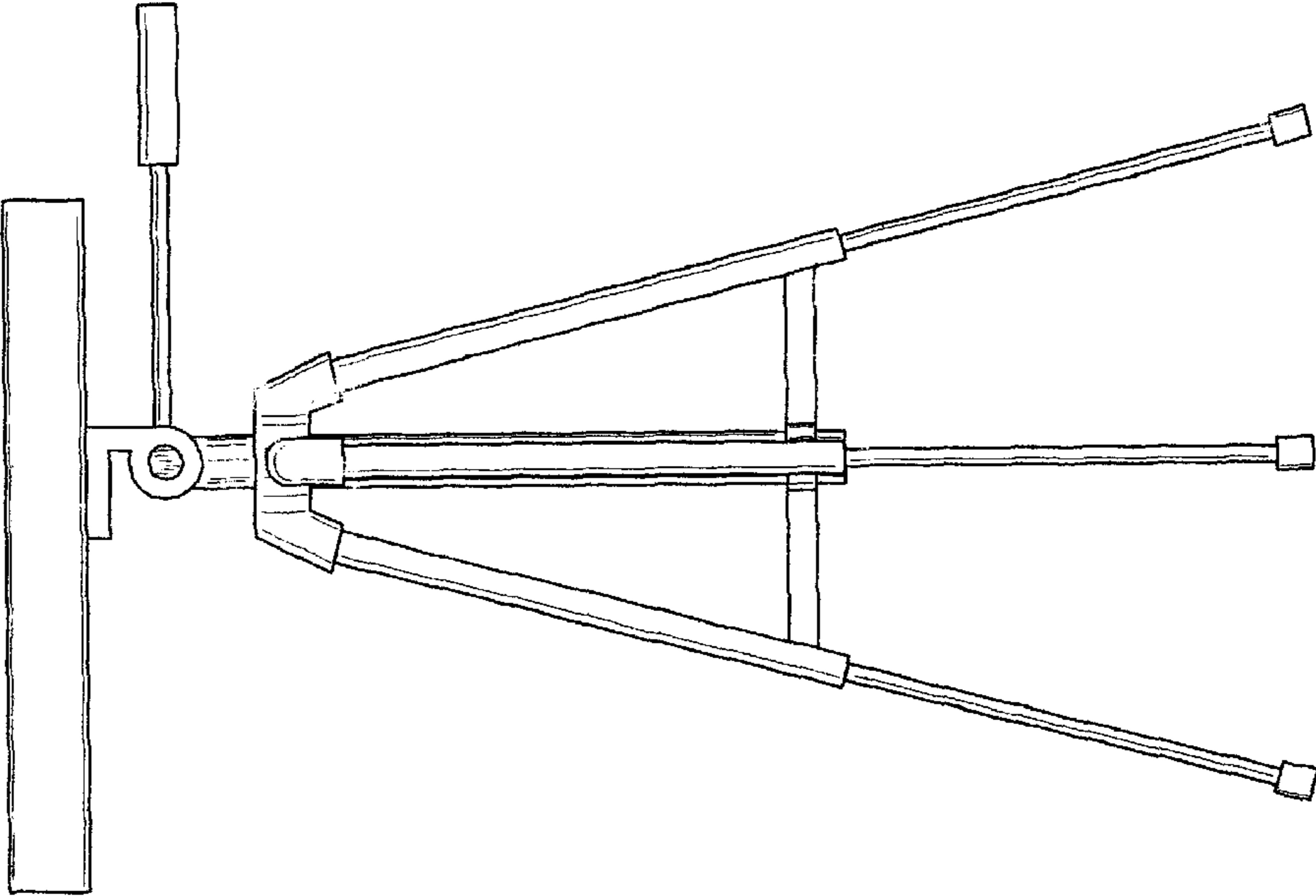


FIG. 4

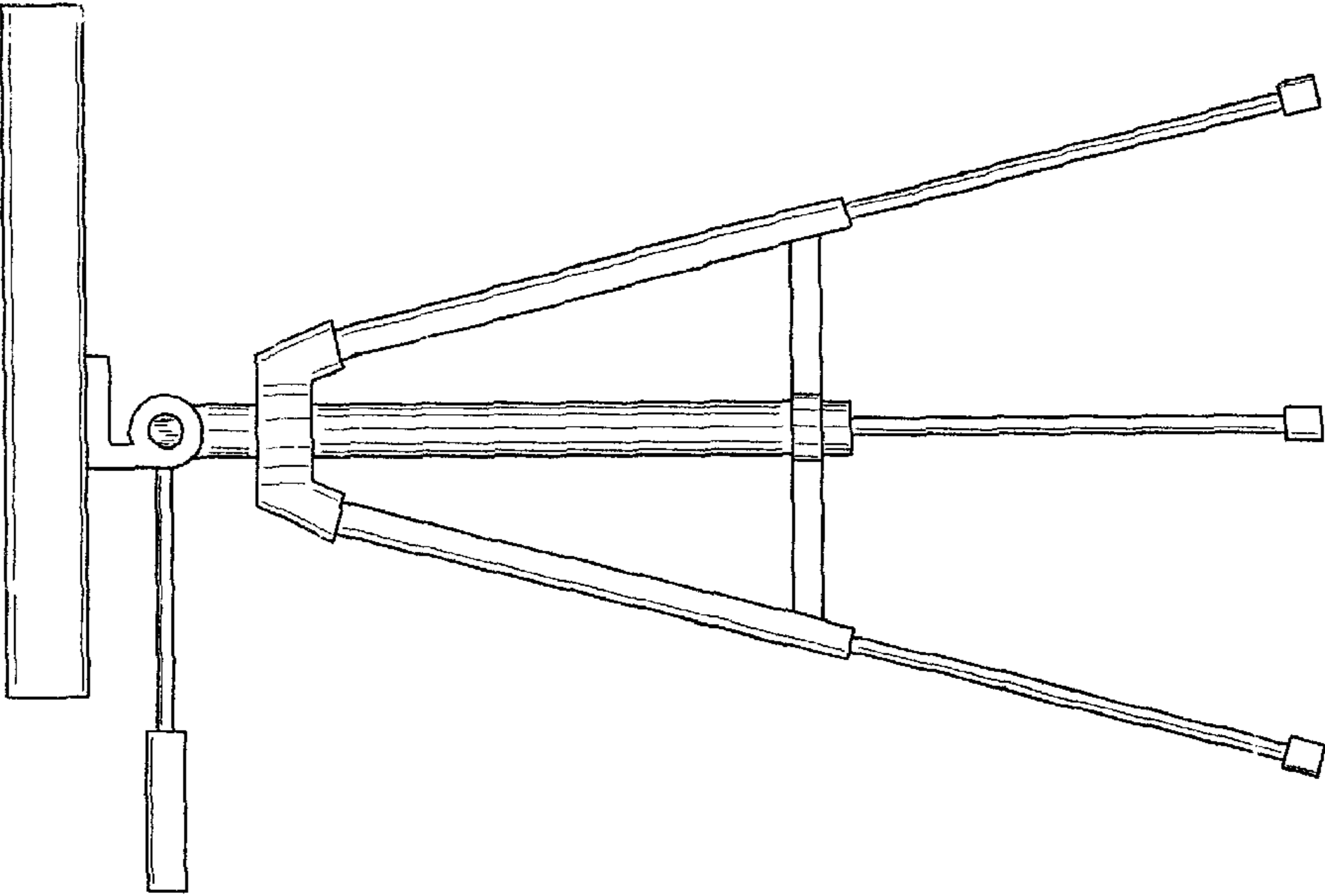


FIG. 3

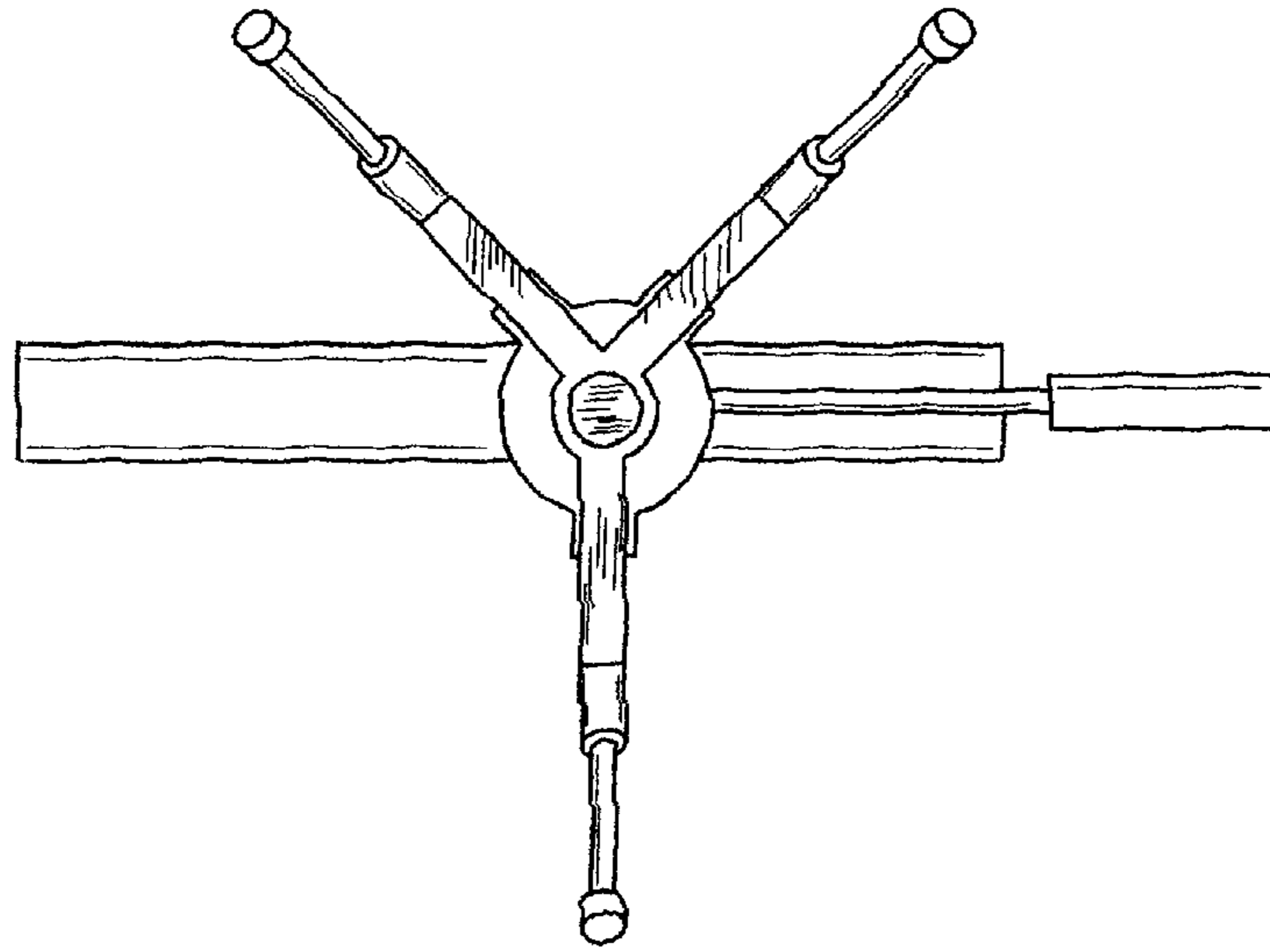


FIG. 6

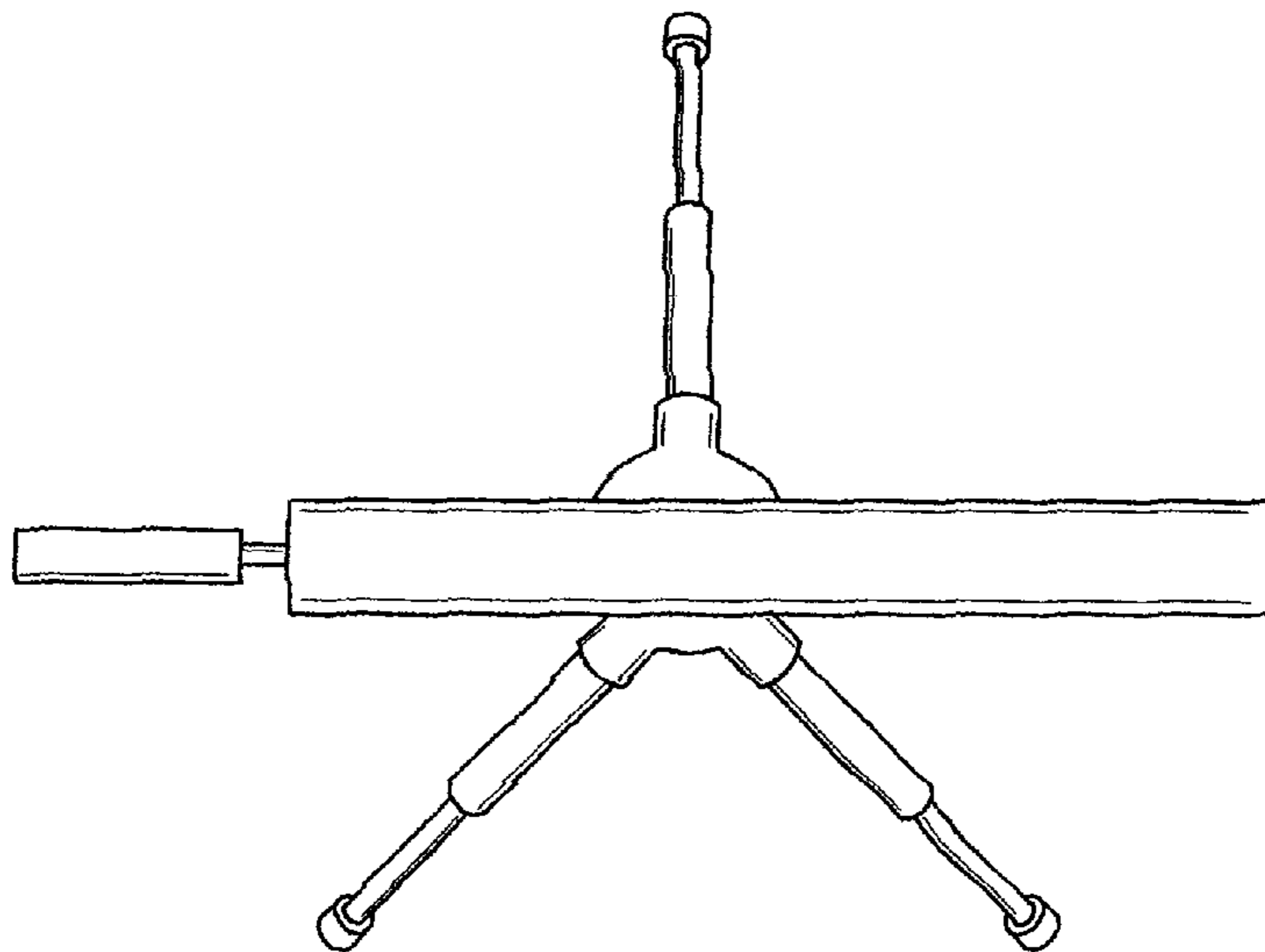


FIG. 5