



US00D509012S

(12) **United States Design Patent**
Chan

(10) **Patent No.: US D509,012 S**

(45) **Date of Patent: ** *Aug. 30, 2005**

(54) **CLIP-ON READING LIGHT**

(75) **Inventor: Wai Hong Chan, Siu Lam (HK)**

(73) **Assignee: Sunrich Manufactory Ltd., New territories (HK)**

(*) **Notice:** This patent is subject to a terminal disclaimer.

(**) **Term: 14 Years**

(21) **Appl. No.: 29/198,482**

(22) **Filed: Jan. 30, 2004**

(51) **LOC (8) Cl. 26-05**

(52) **U.S. Cl. D26/60; D26/65**

(58) **Field of Search D26/61-63, 118, D26/93, 107; 362/269, 277, 278, 282, 285, 287, 288, 410, 413, 418-430, 449**

(56) **References Cited**

U.S. PATENT DOCUMENTS

- 4,432,042 A 2/1984 Zeller et al.
- D283,056 S * 3/1986 Ansems D26/61
- D397,468 S * 8/1998 Zeller D26/60

- D418,240 S * 12/1999 Sherman D26/63
- D427,703 S 7/2000 Chan
- 6,361,184 B1 * 3/2002 Hallgrimsson et al. 362/188

* cited by examiner

Primary Examiner—Clare E Heflin

(74) *Attorney, Agent, or Firm*—William J. Sapone; Coleman Sudol Sapone PC

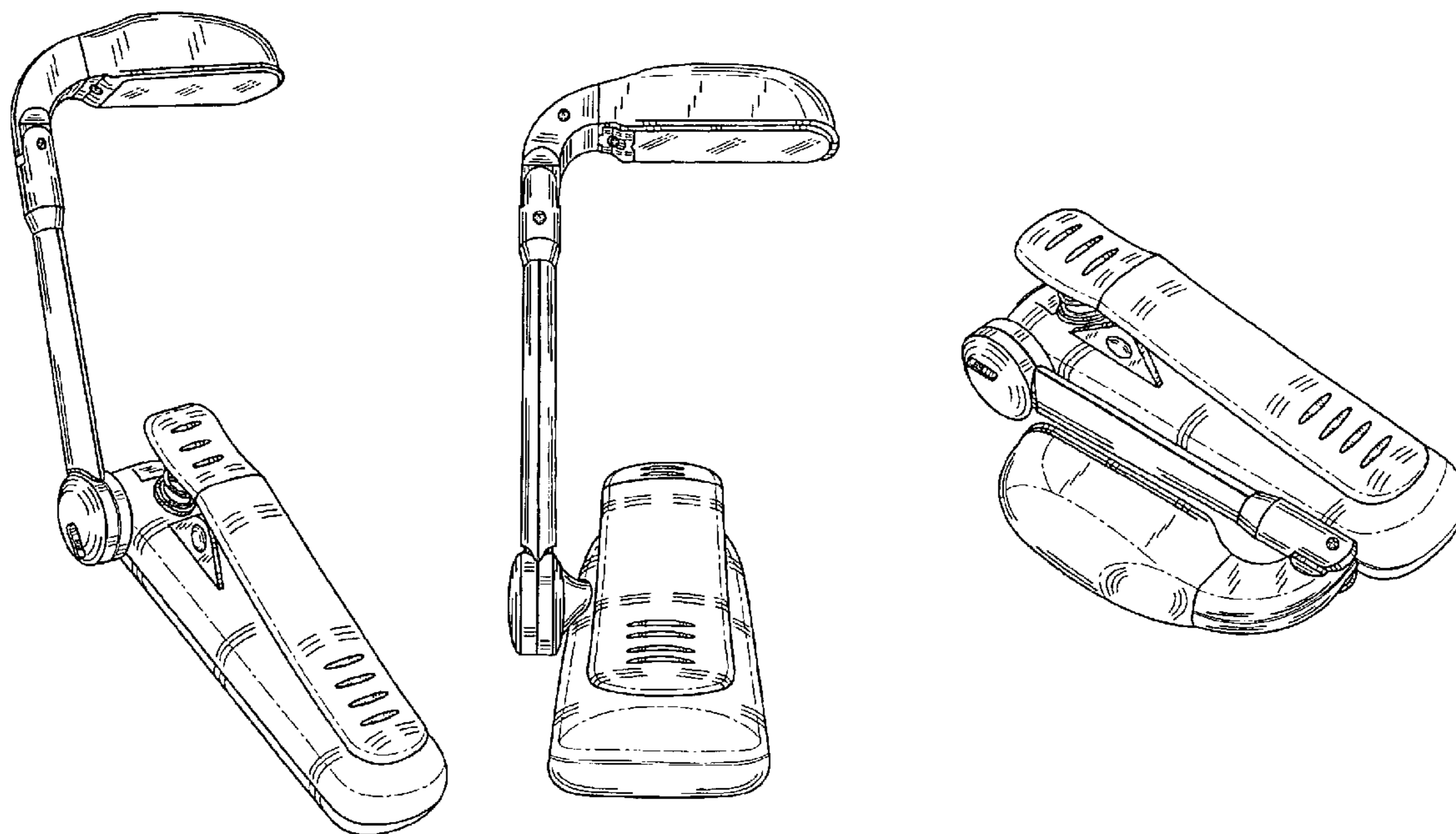
(57) **CLAIM**

The ornamental design for a clip-on reading light, as shown and described.

DESCRIPTION

FIG. 1 is a perspective view of the clip-on reading light showing my new design having a pivoting arm with a position adjustable light at its end in an extended position; FIG. 2 is a top view thereof; FIG. 3 is a right side view thereof; FIG. 4 is a left side view thereof; FIG. 5 is a front view thereof; FIG. 6 is a bottom view thereof; FIG. 7 is a rear view thereof; and, FIG. 8 is a perspective view of the clip-on reading light with the pivoting arm and the light positioned for storage.

1 Claim, 4 Drawing Sheets



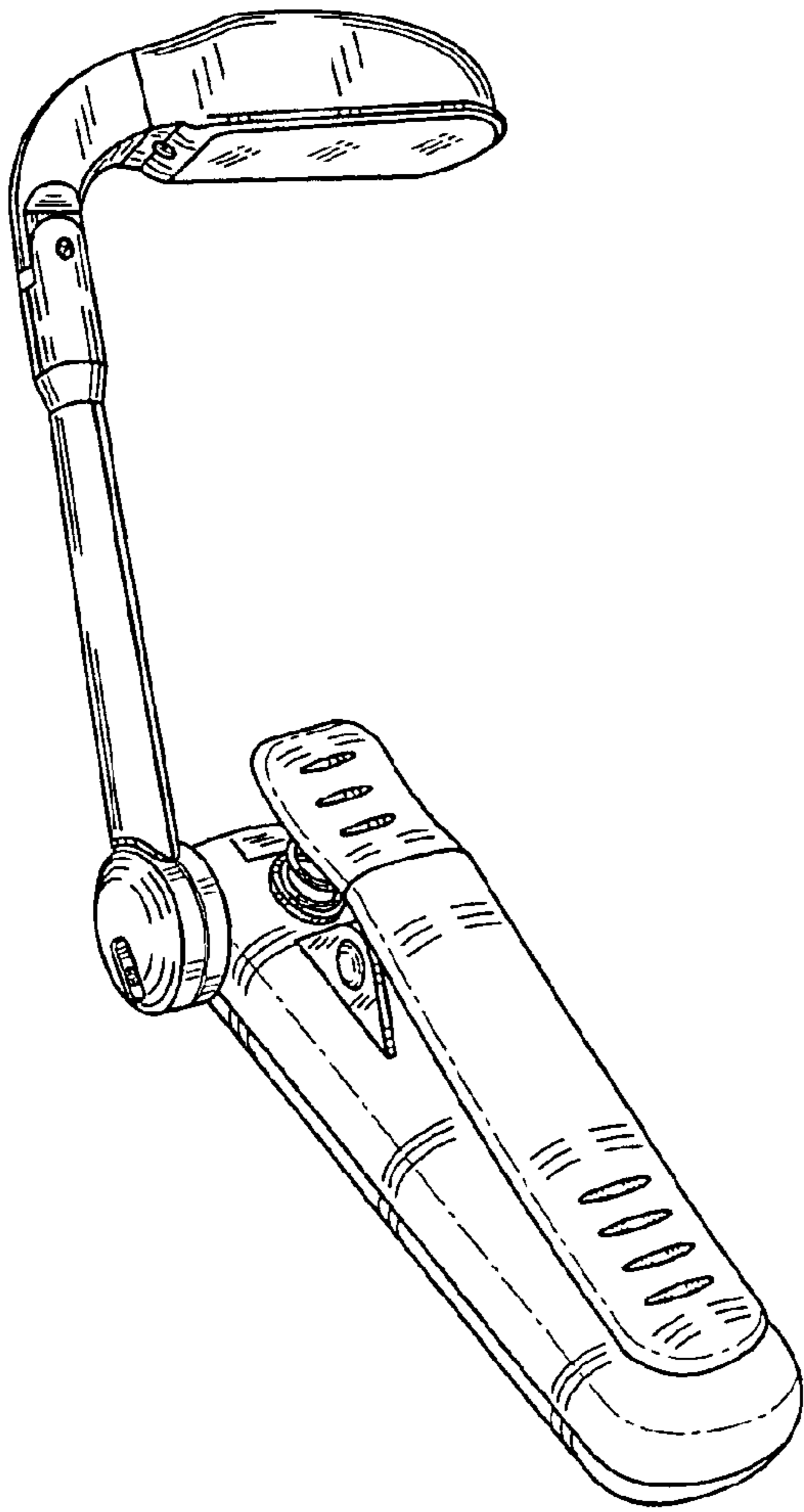


FIG. 1

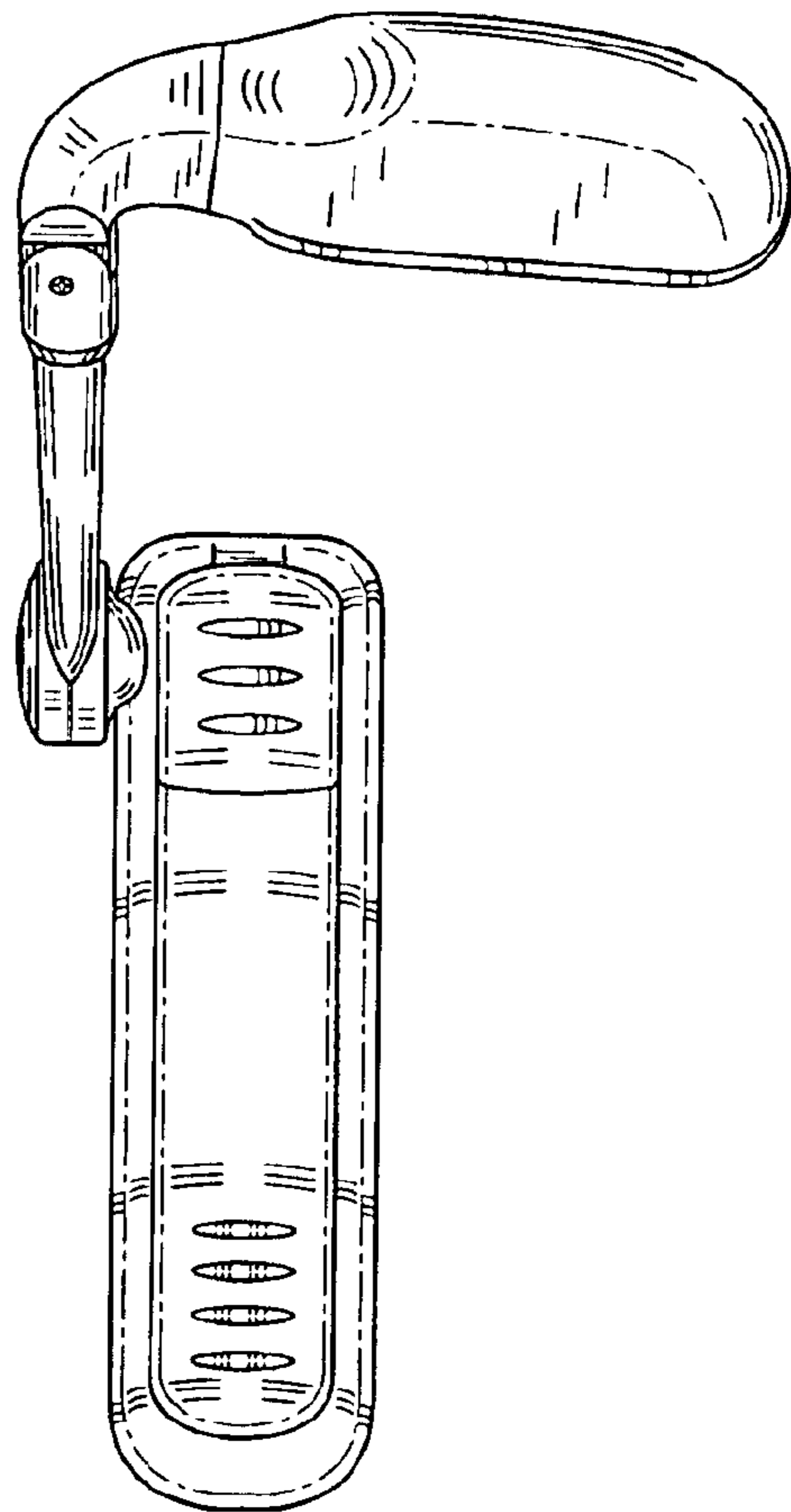


FIG. 2

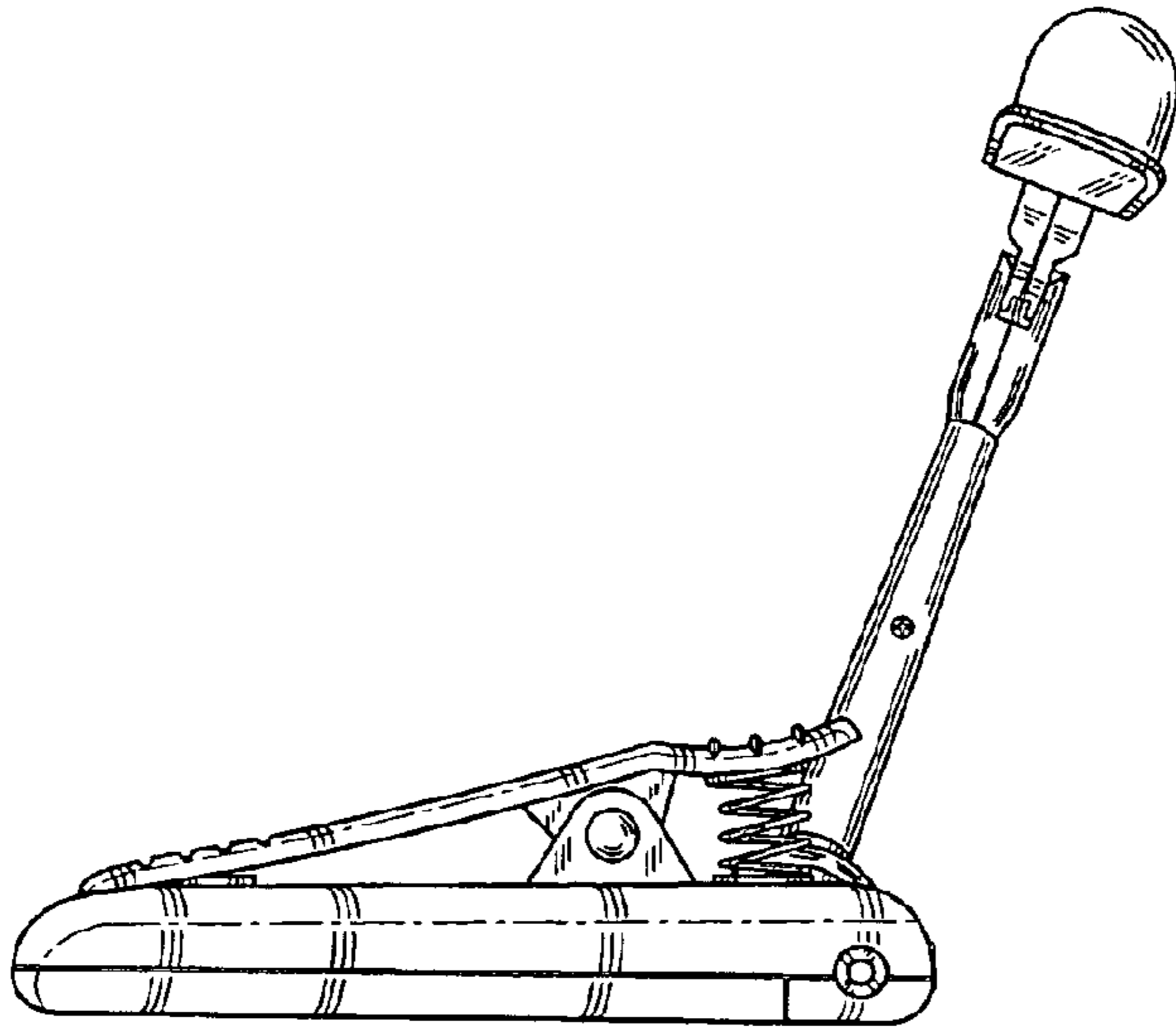


FIG. 3

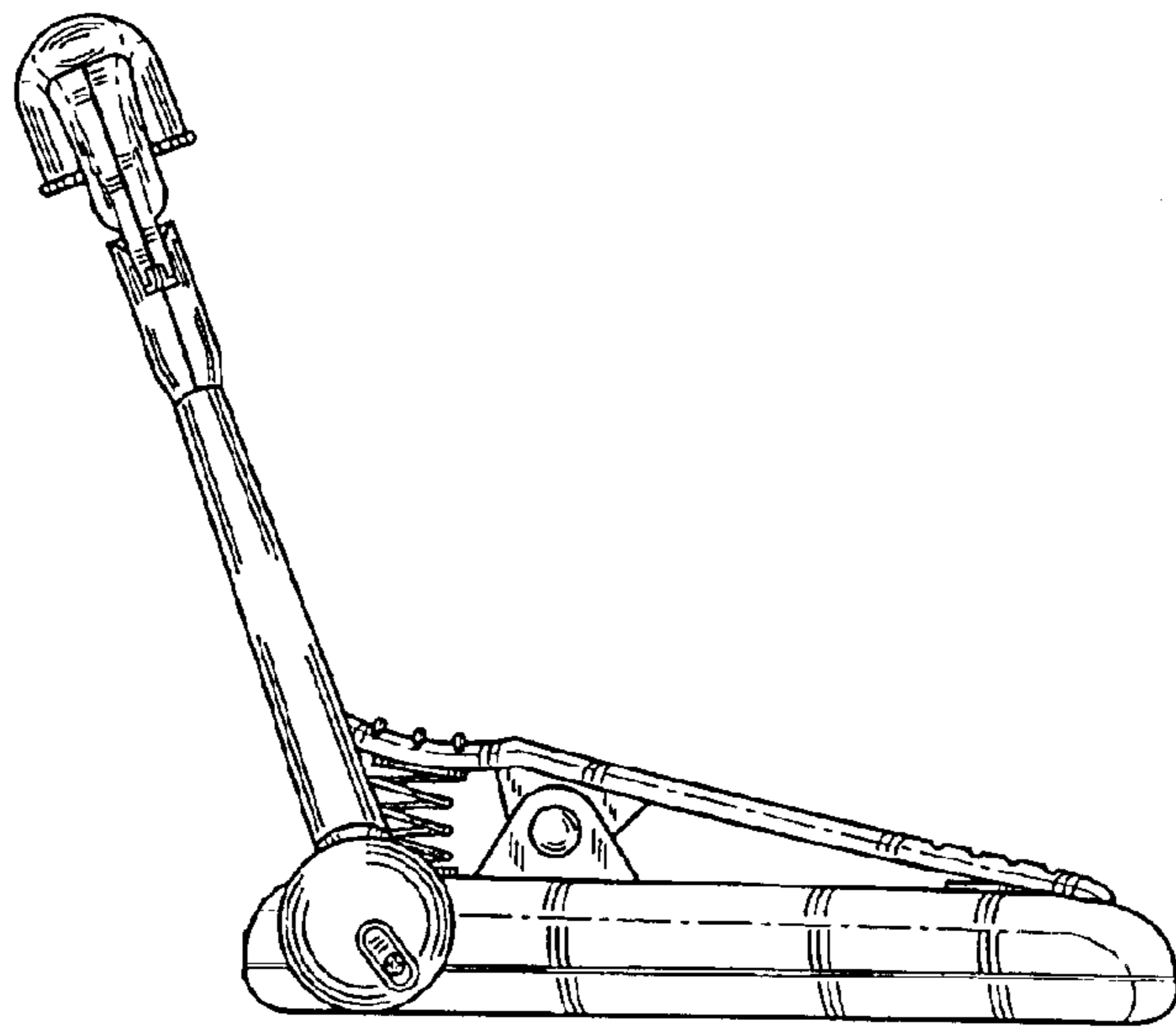


FIG. 4

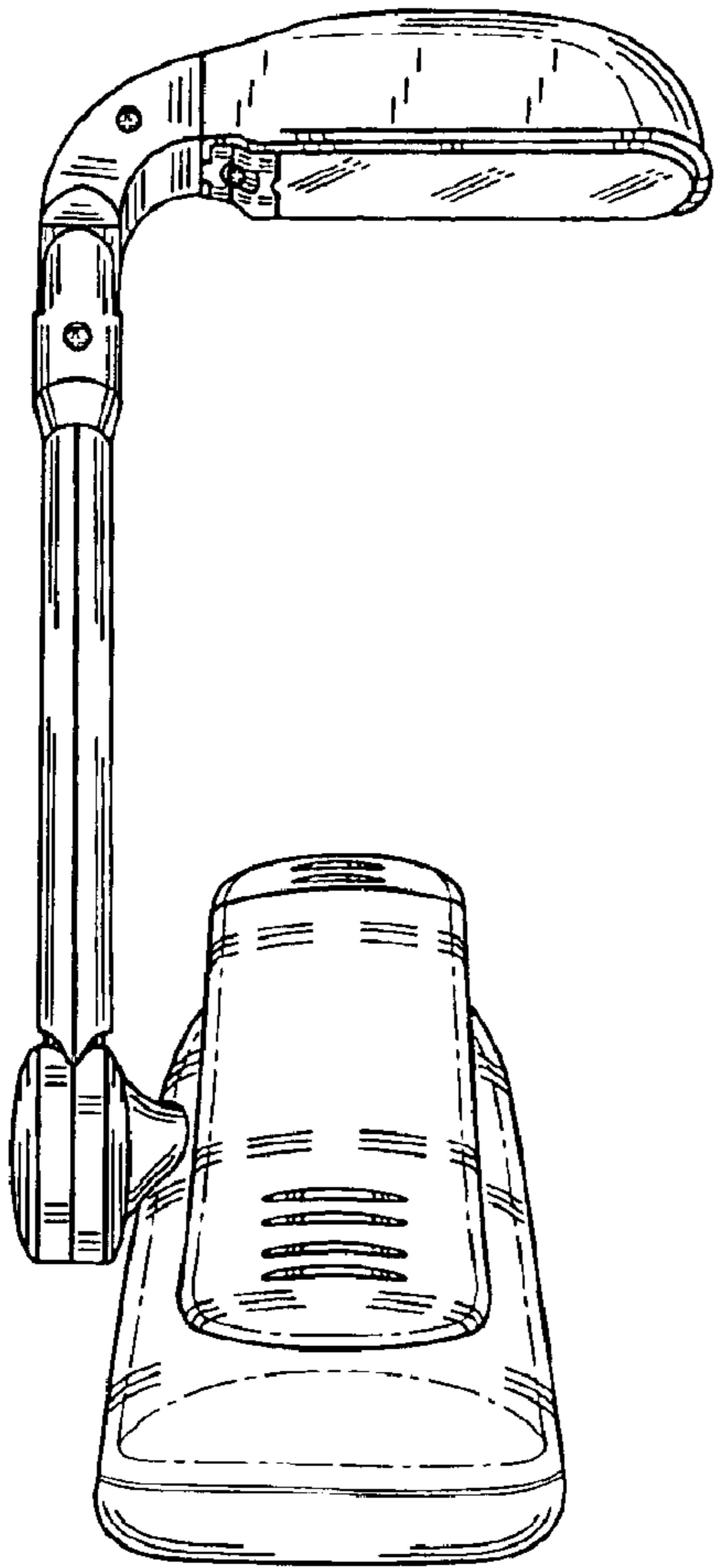


FIG. 5

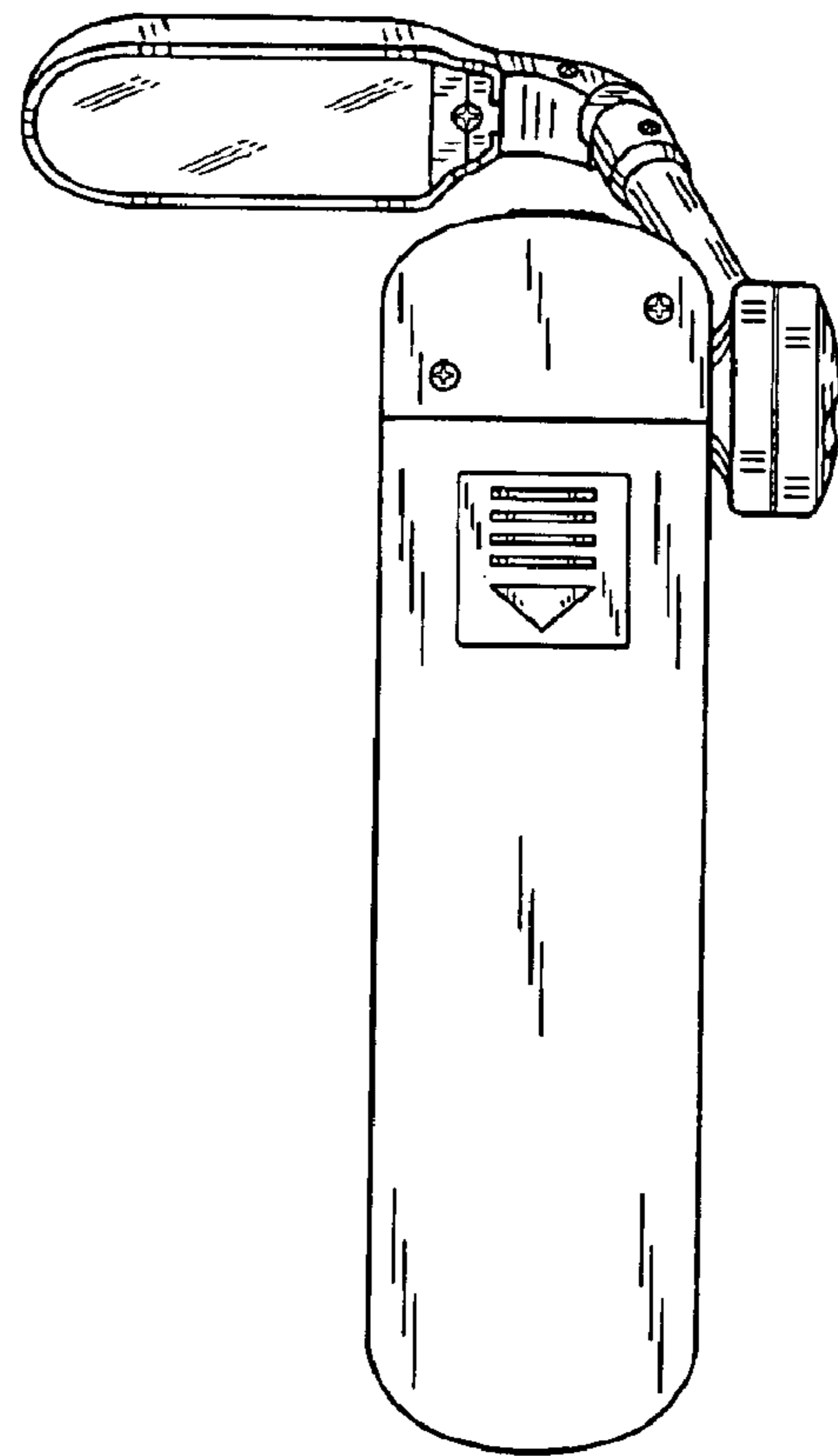


FIG. 6

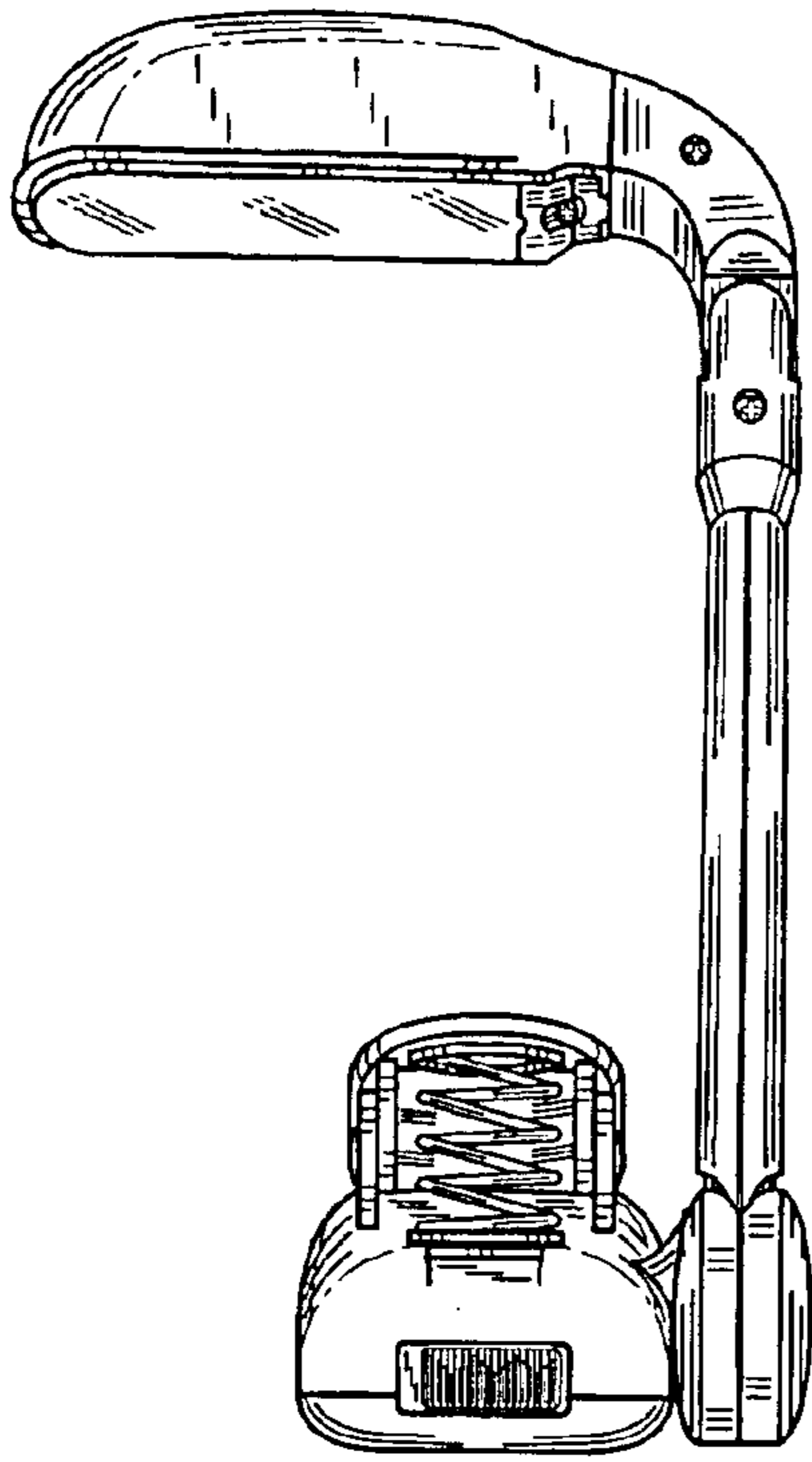


FIG. 7

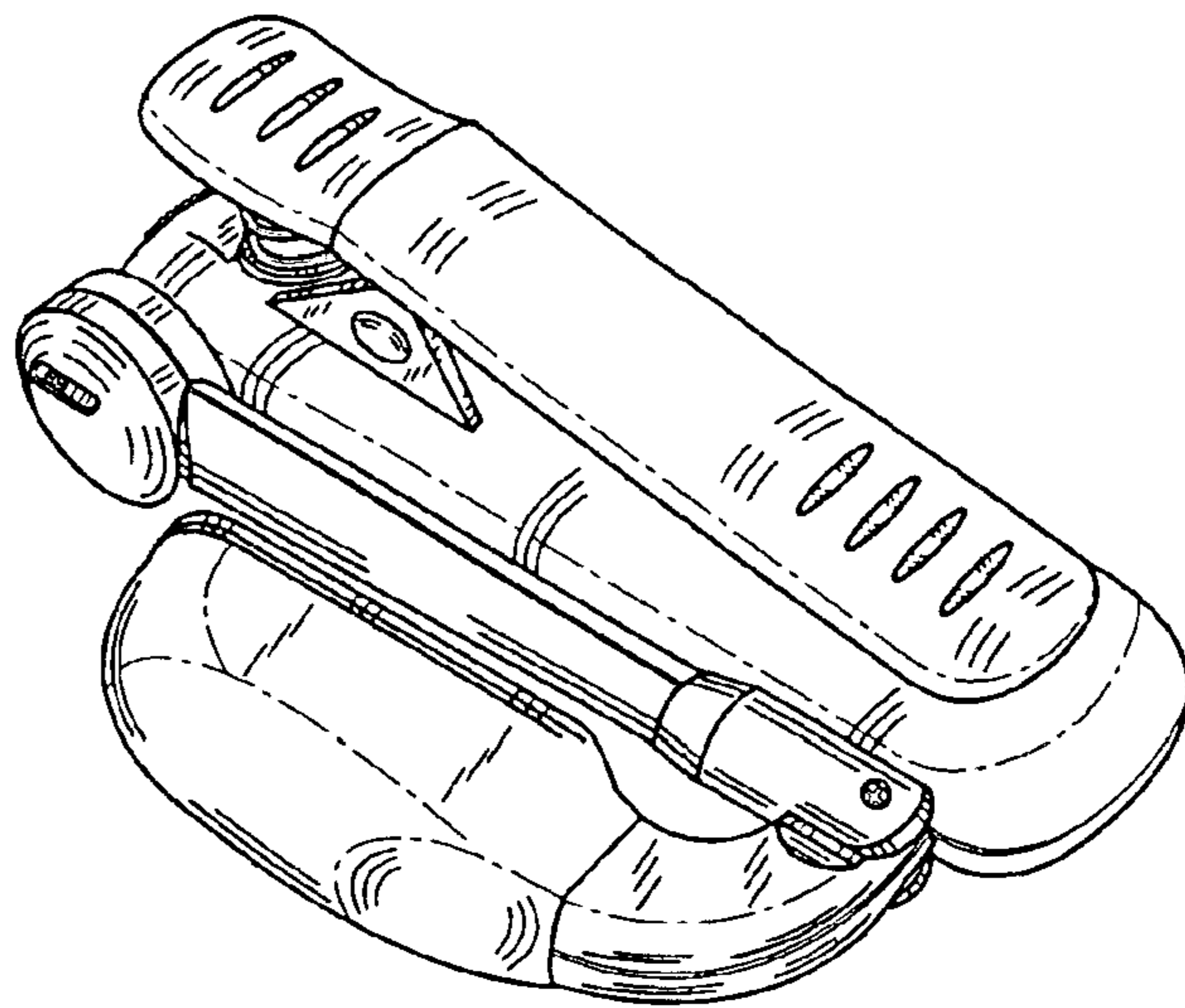


FIG. 8