



US00D509007S

(12) **United States Design Patent**
Shimada

(10) **Patent No.:** **US D509,007 S**

(45) **Date of Patent:** **** Aug. 30, 2005**

(54) **DISPLAY LAMP**

D498,549 S * 11/2004 Campagna D26/28

(75) Inventor: **Toshio Shimada**, Nagano (JP)

* cited by examiner

(73) Assignee: **Okaya Electric Industries Co., Ltd.**,
Tokyo (JP)

Primary Examiner—Marcus A. Jackson

(74) *Attorney, Agent, or Firm*—Wenderoth, Lind & Ponack,
L.L.P.

(**) Term: **14 Years**

(57) **CLAIM**

(21) Appl. No.: **29/212,850**

The ornamental design for a display lamp, as shown and described.

(22) Filed: **Sep. 9, 2004**

DESCRIPTION

(30) **Foreign Application Priority Data**

Apr. 30, 2004 (JP) 2004-013159

(51) **LOC (8) Cl.** **26-06**

(52) **U.S. Cl.** **D26/28**

(58) **Field of Search** D26/28-36; 362/61,
362/80, 81, 83, 83.4, 267, 269, 275, 330-340

FIG. 1 is an upper left perspective view of the display lamp,
FIG. 2 is a lower right perspective view of the display lamp,
FIG. 3 is a front view of the display lamp,
FIG. 4 is a rear view of the display lamp,
FIG. 5 is a plan view of the display lamp,
FIG. 6 is a bottom view of the display lamp,
FIG. 7 is a right side view of the display lamp,
FIG. 8 is a sectional view taken substantially along the lines
A—A of FIG. 5; and,
FIG. 9 is a sectional view illustrated the transparent part of
FIG. 8.

(56) **References Cited**

U.S. PATENT DOCUMENTS

D486,593 S * 2/2004 Griffin D26/28
D489,466 S * 5/2004 Dohogne et al. D26/28
D492,047 S * 6/2004 Dohogne et al. D26/28

Light gray part of FIG. 9 is transparent.

1 Claim, 9 Drawing Sheets

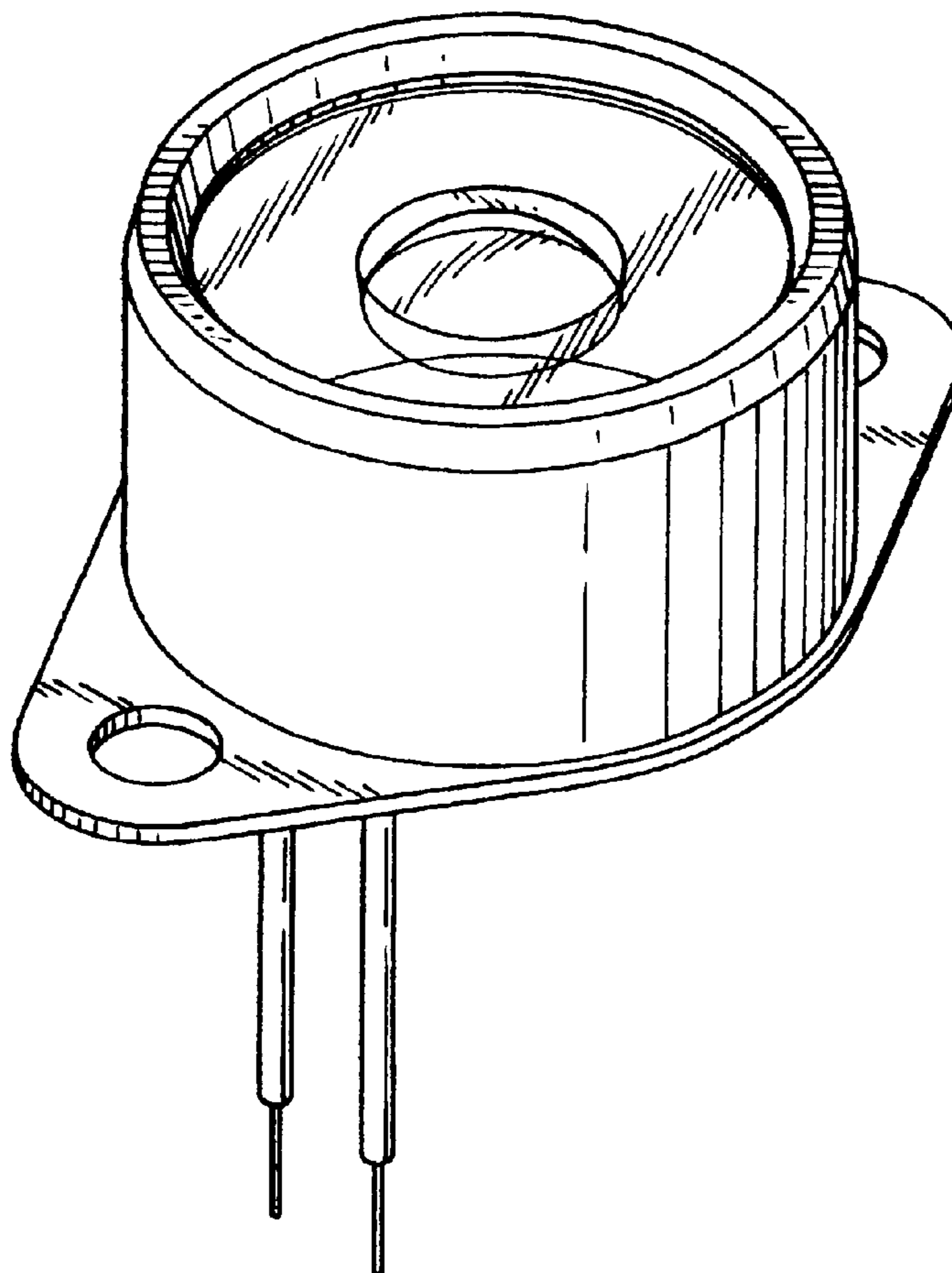


FIG. 1

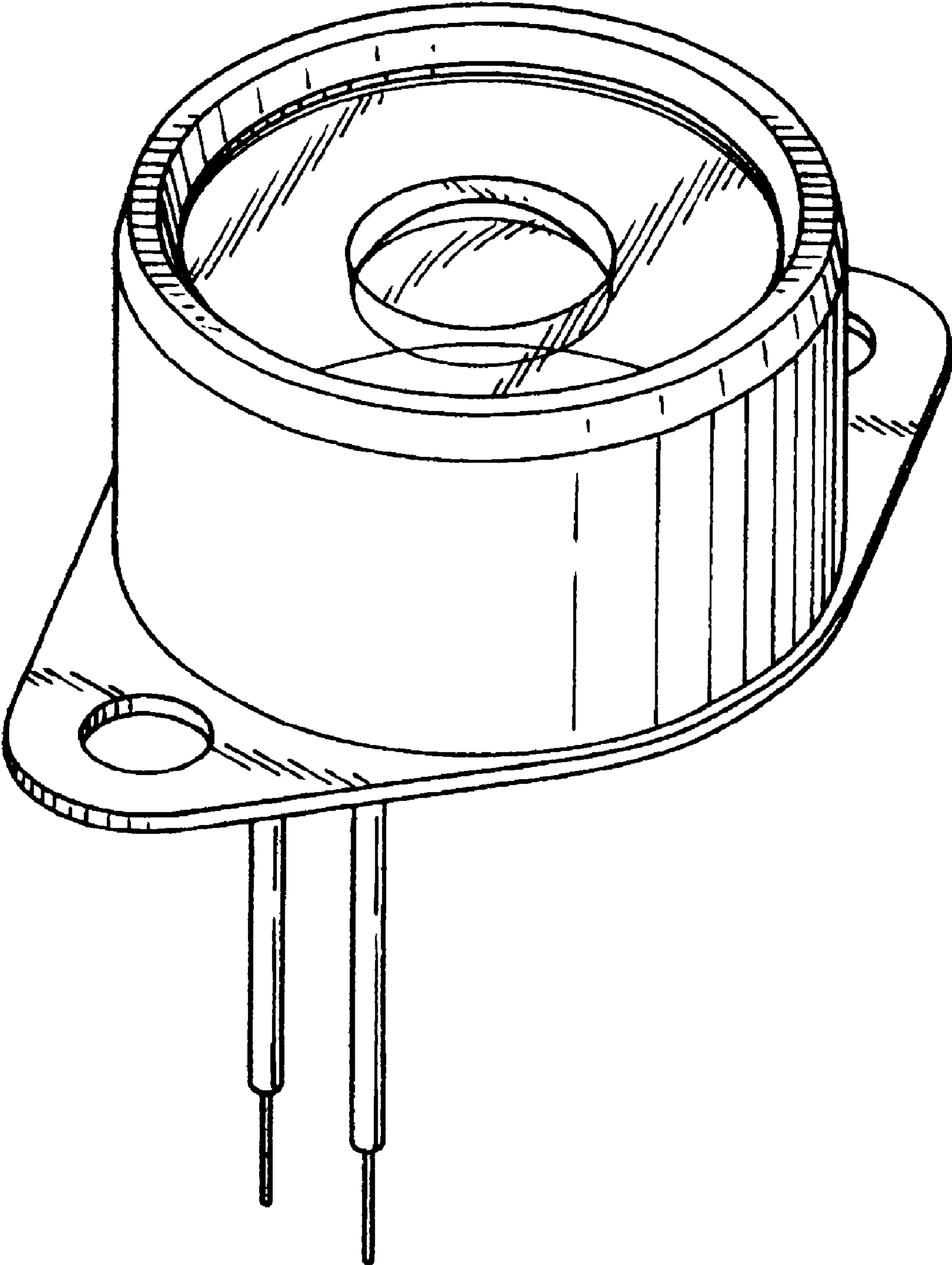


FIG. 2

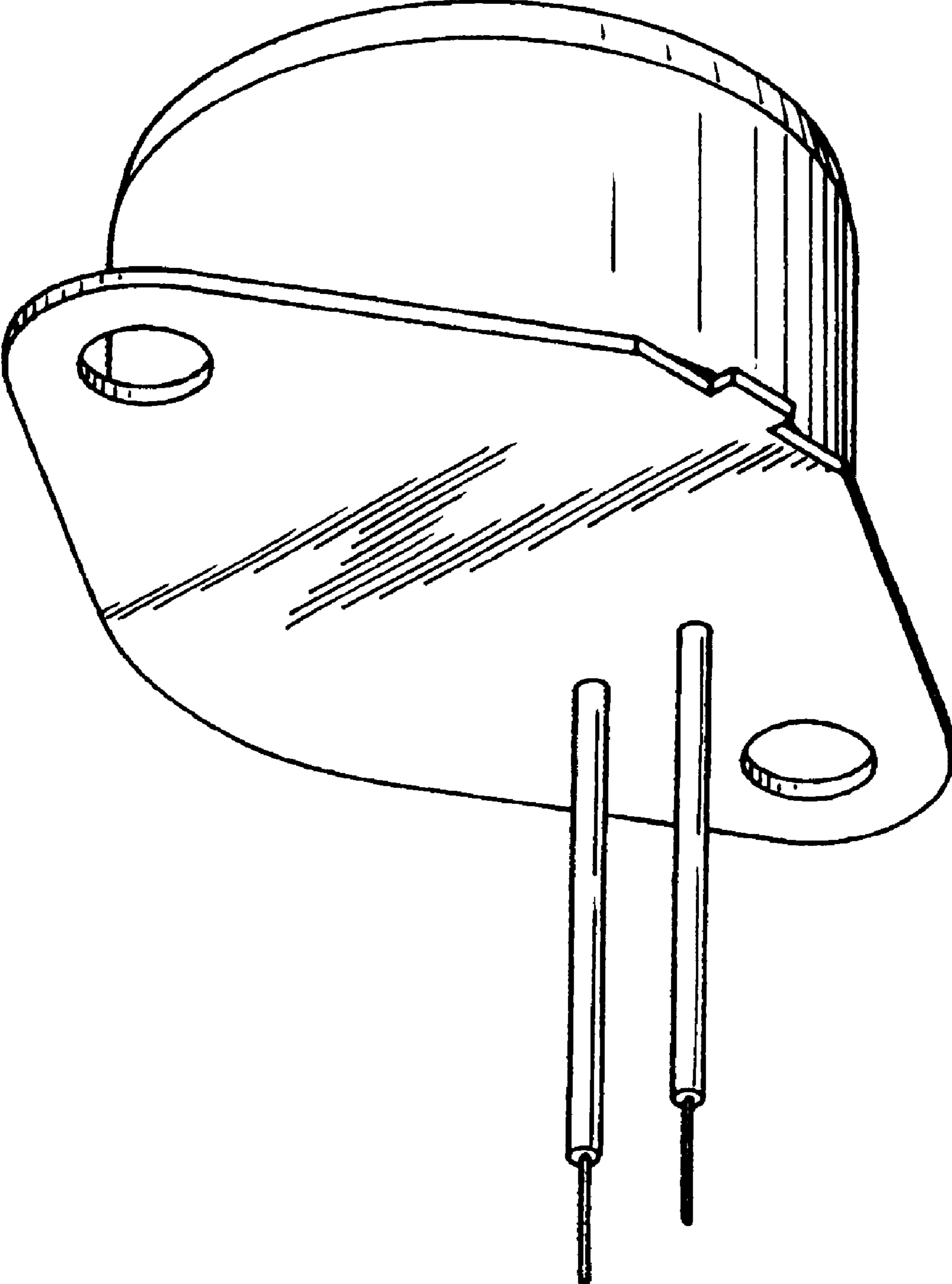


FIG. 3

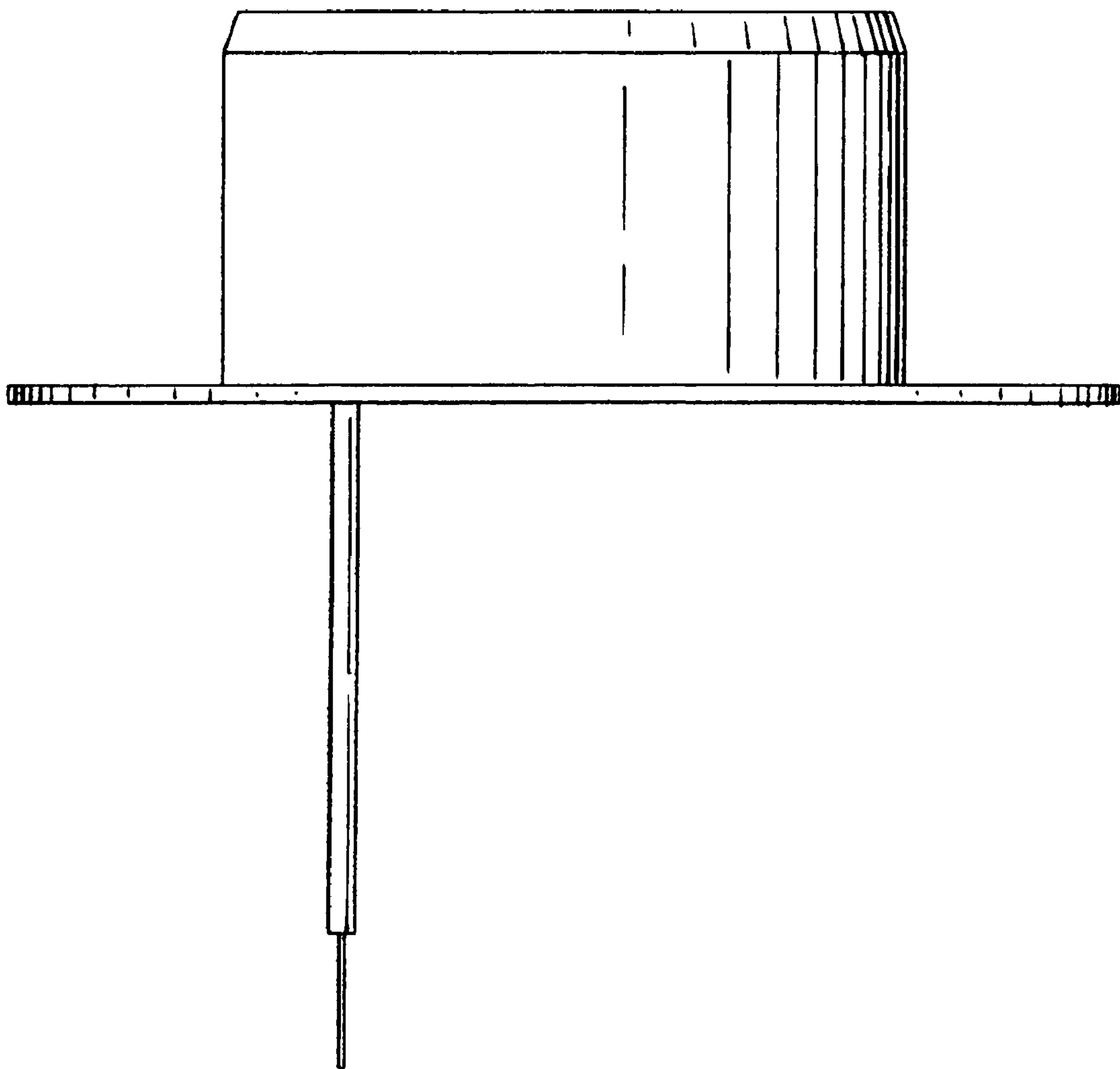


FIG. 4

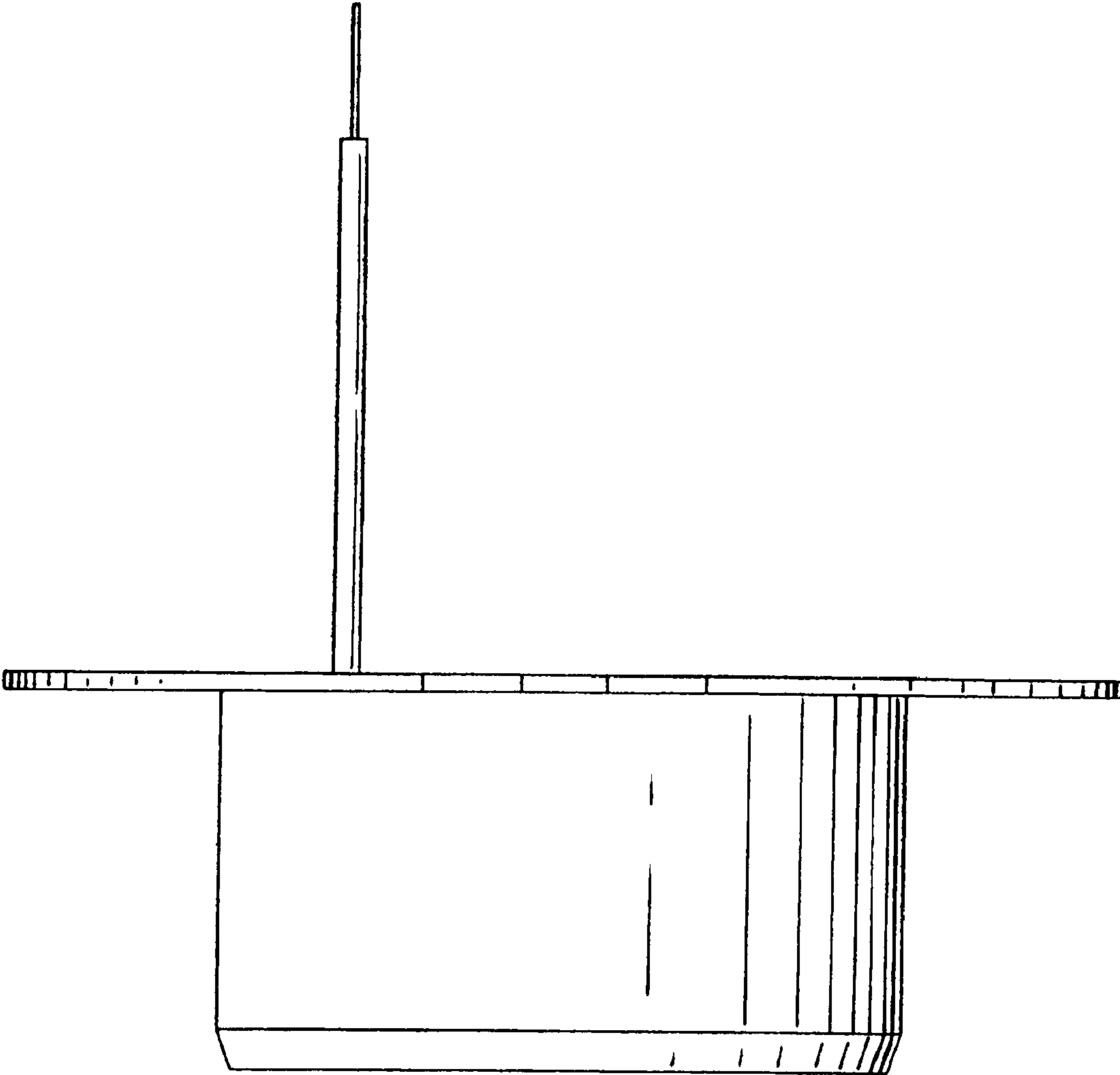


FIG. 5

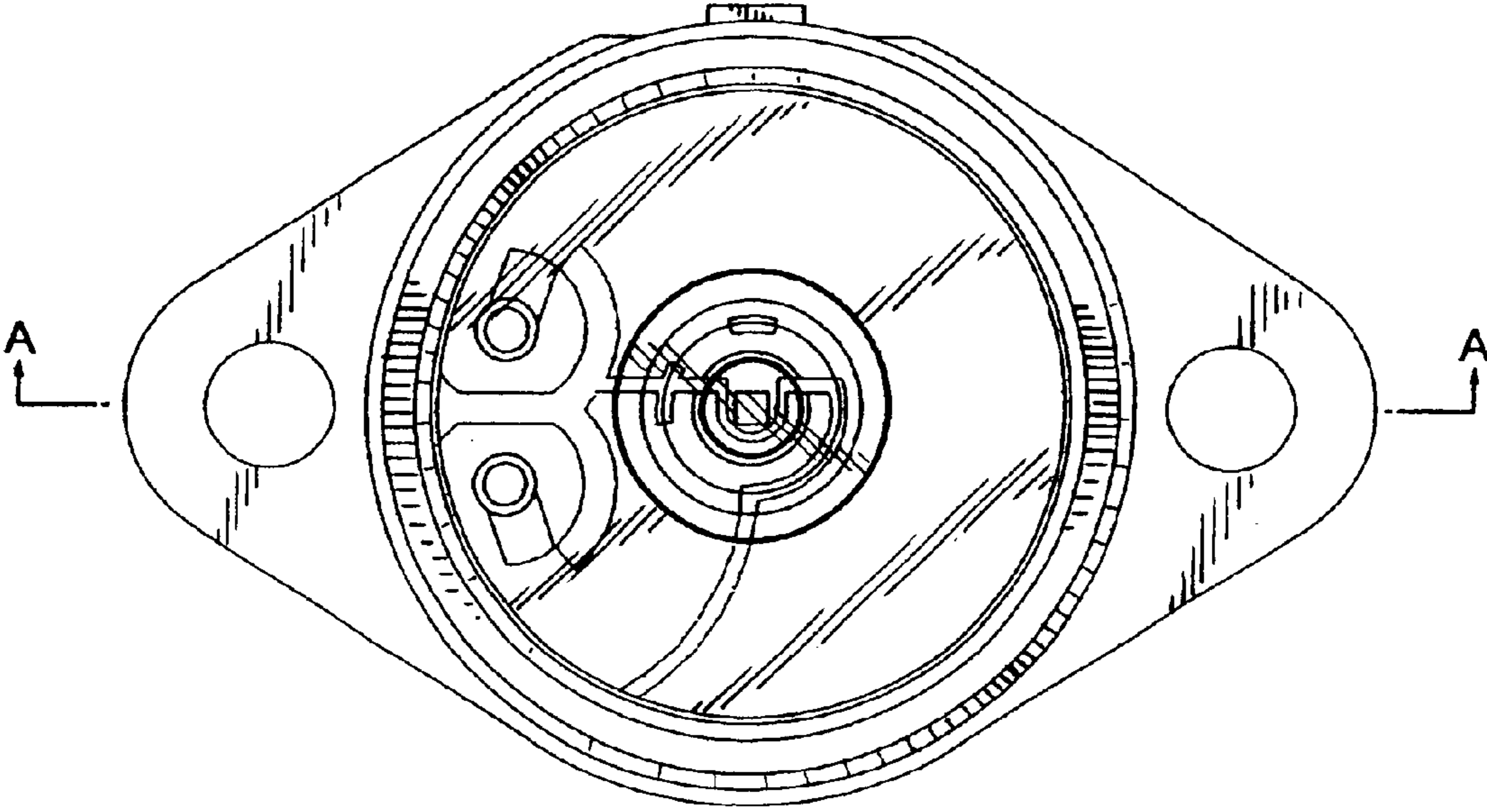


FIG. 6

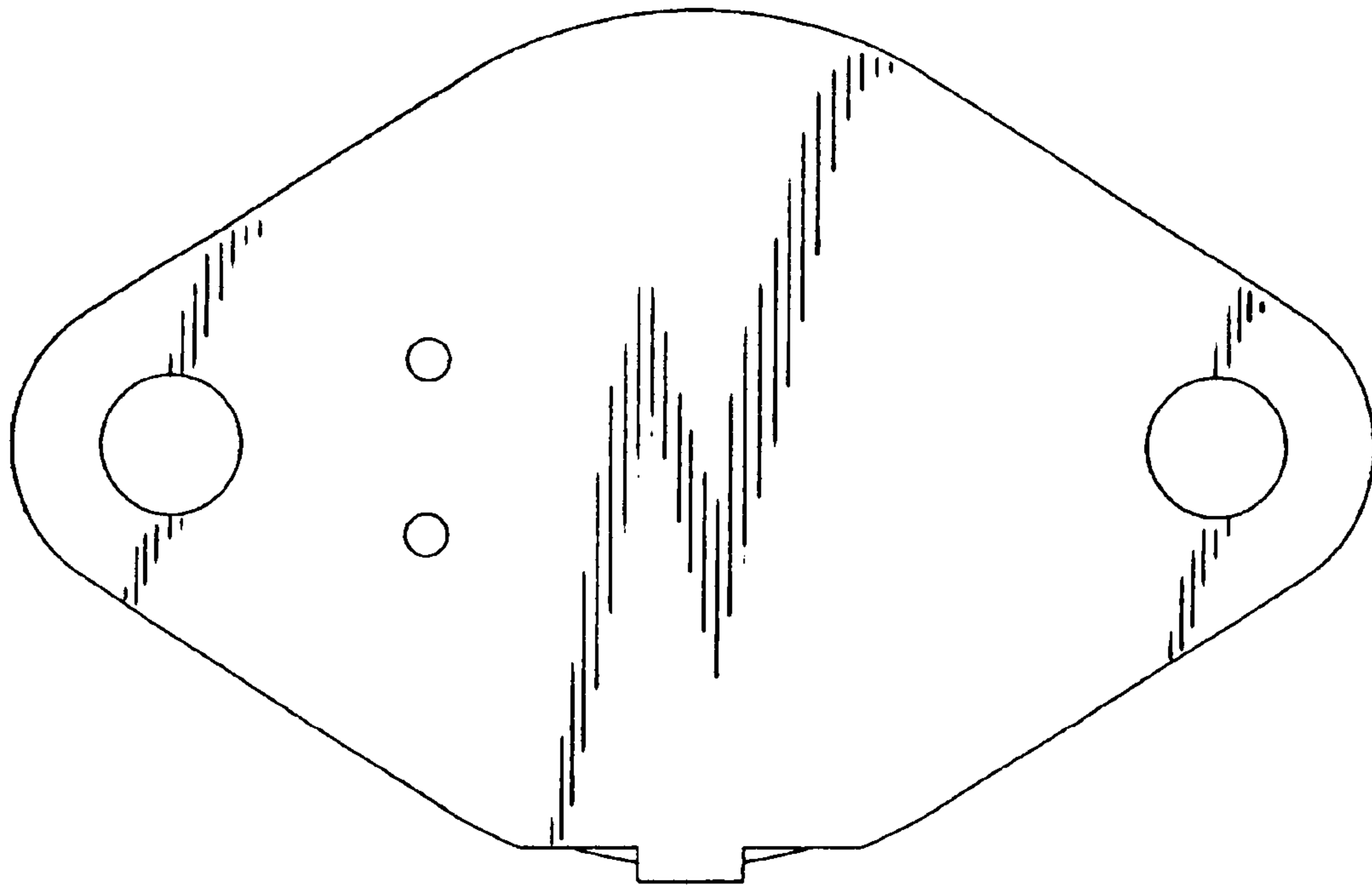


FIG. 7

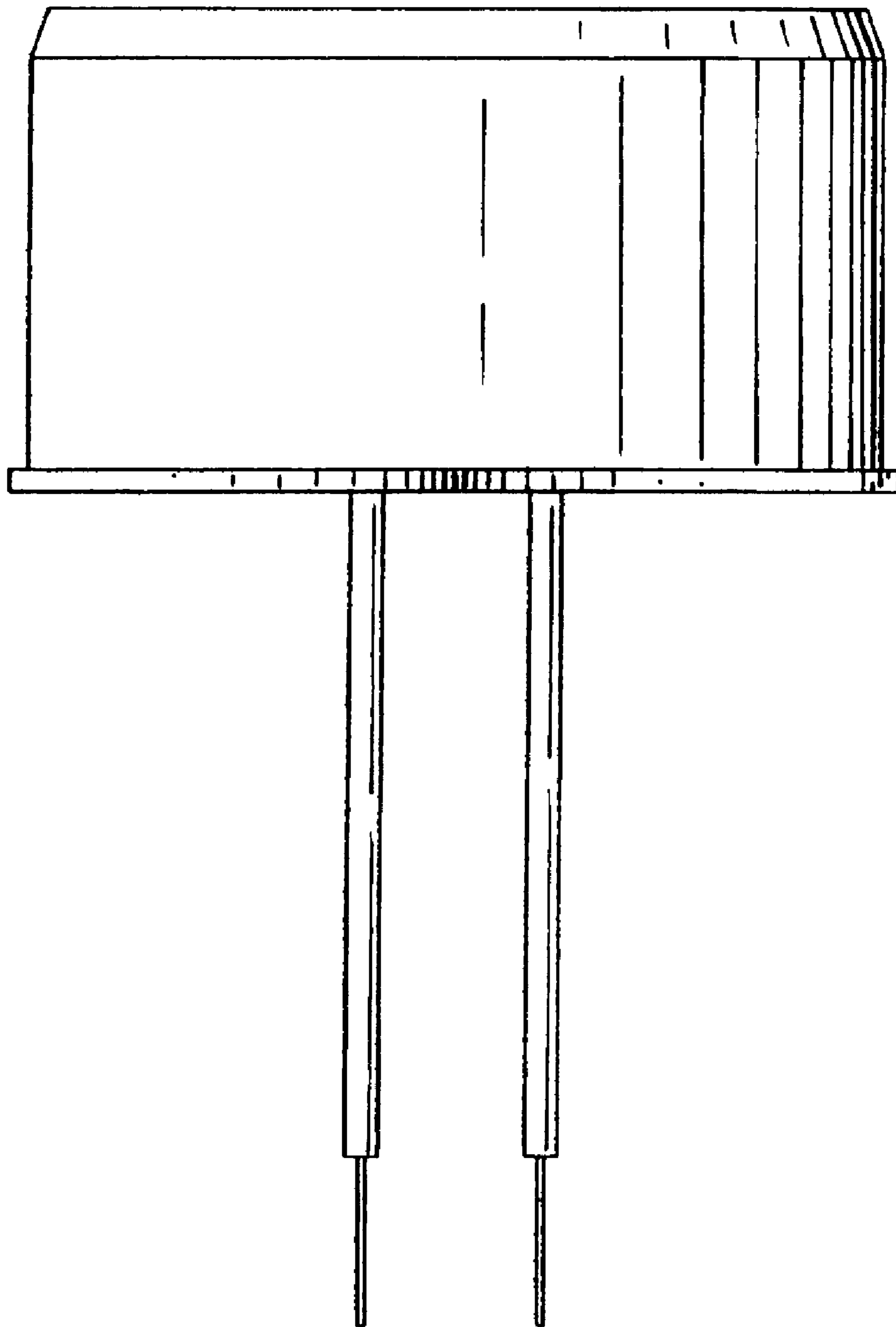


FIG. 8

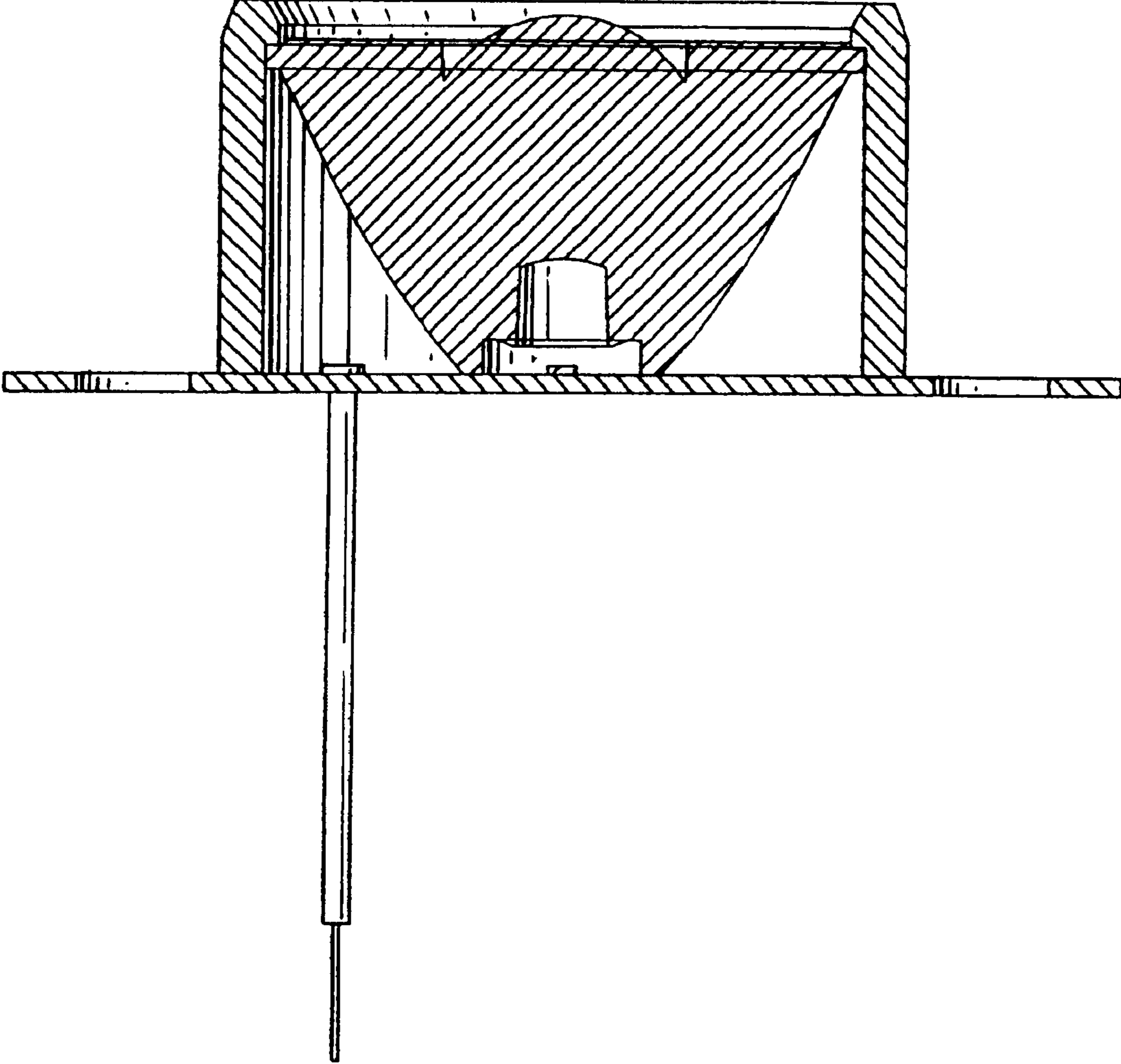


FIG. 9

