

US00D509005S

(12) **United States Design Patent**
Iwasaki

(10) **Patent No.:** **US D509,005 S**
(45) **Date of Patent:** **** Aug. 30, 2005**

(54) **REAR COMBINATION LAMP FOR
AUTOMOBILE**

(75) Inventor: **Ken Iwasaki**, Tokyo (JP)

(73) Assignee: **Toyota Jidosha Kabushiki Kaisha**,
Aichi-ken (JP)

(**) Term: **14 Years**

(21) Appl. No.: **29/210,573**

(22) Filed: **Aug. 4, 2004**

(51) **LOC (8) Cl.** **26-06**

(52) **U.S. Cl.** **D26/28**

(58) **Field of Search** D26/28-36; 362/459-468,
362/475-478, 485-487

(56) **References Cited**

U.S. PATENT DOCUMENTS

D486,928 S	*	2/2004	Li	D26/28
D488,573 S	*	4/2004	Lin	D26/28
D490,915 S	*	6/2004	Montgomery et al.	D26/28
D491,297 S	*	6/2004	Liu	D26/28

OTHER PUBLICATIONS

Hilux Surf, Brochure of Hilux Surf, Oct. 2002, (Mfg: Toyota Jidosha Kabushiki Kaisha).

* cited by examiner

Primary Examiner—Marcus A. Jackson
(74) *Attorney, Agent, or Firm*—Finnegan, Henderson, Farabow, Garrett & Dunner, LLP

(57) **CLAIM**

The ornamental design for a rear combination lamp for automobile, as shown and described.

DESCRIPTION

FIG. 1 is a left-front, perspective view of a rear combination lamp for automobile of my new design;

FIG. 2 is a front view of my new design;

FIG. 3 is a rear view of my new design;

FIG. 4 is a top view of my new design;

FIG. 5 is a bottom view of my new design;

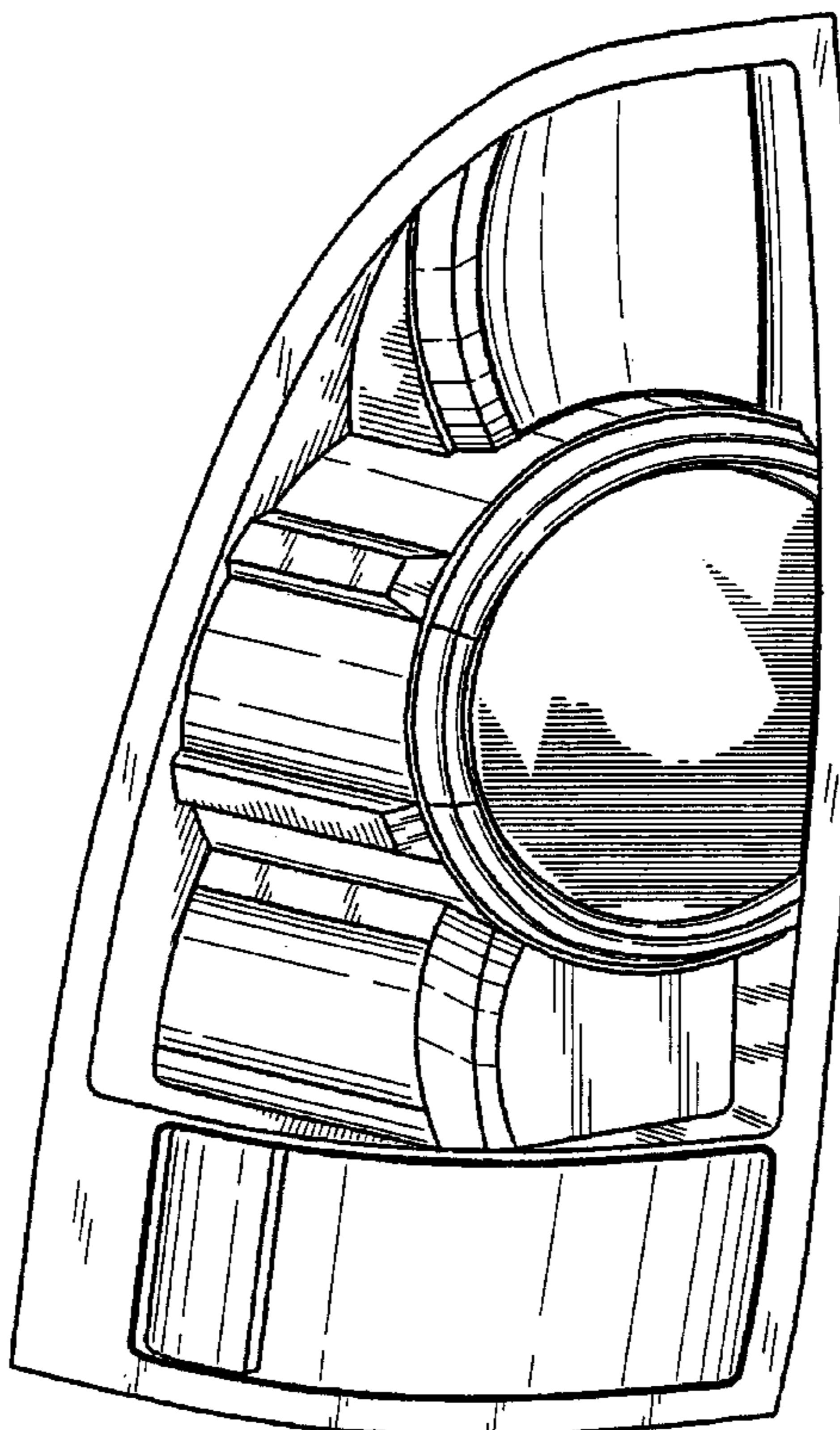
FIG. 6 is a right-side view of my new design;

FIG. 7 is a left-side view of my new design; and,

FIG. 8 is a cross-sectional view of my new design taken along the line 8—8 in FIG. 2, showing the profile of that portion of the design.

My design includes the mirror image of the embodiment depicted.

1 Claim, 7 Drawing Sheets



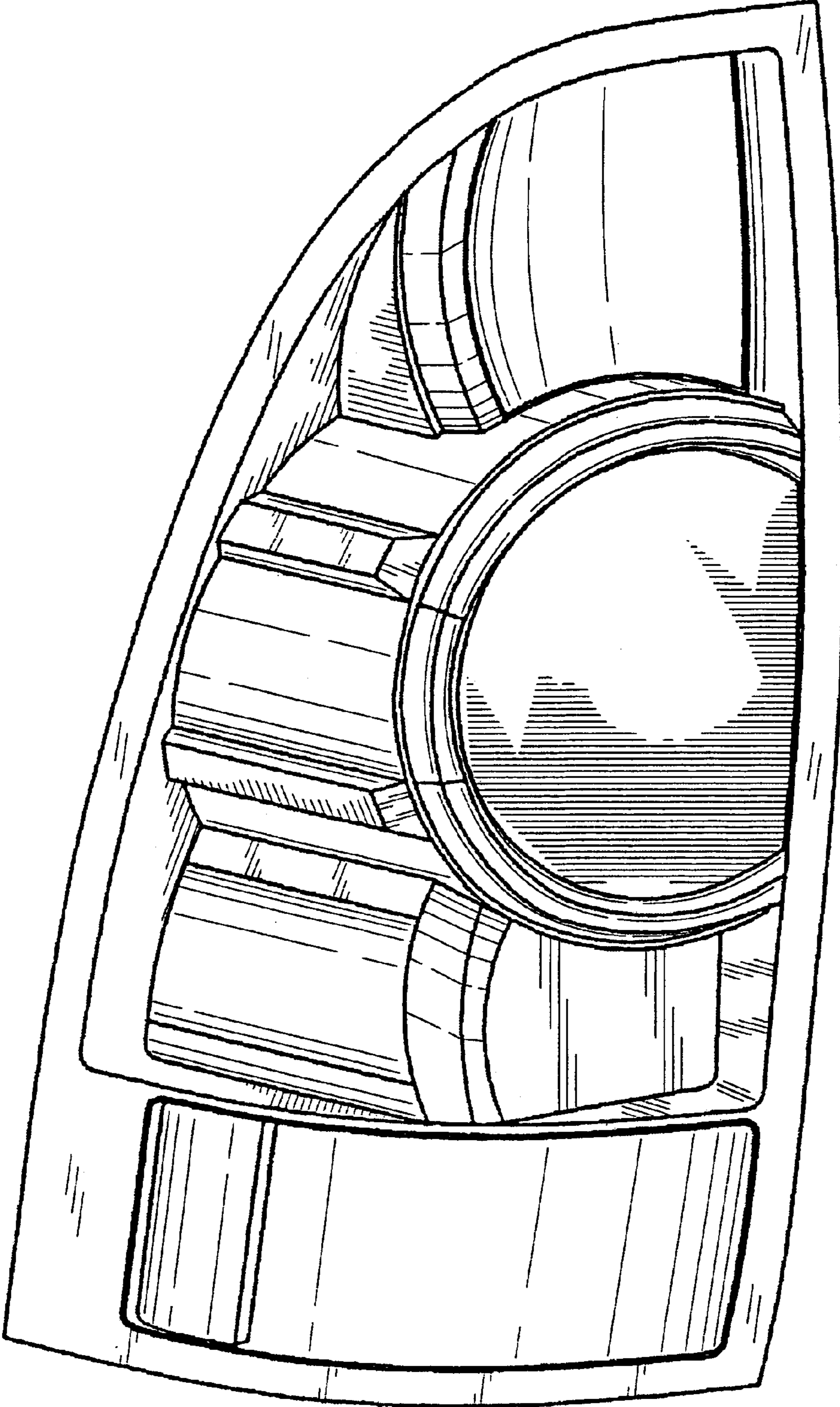


FIG. 1

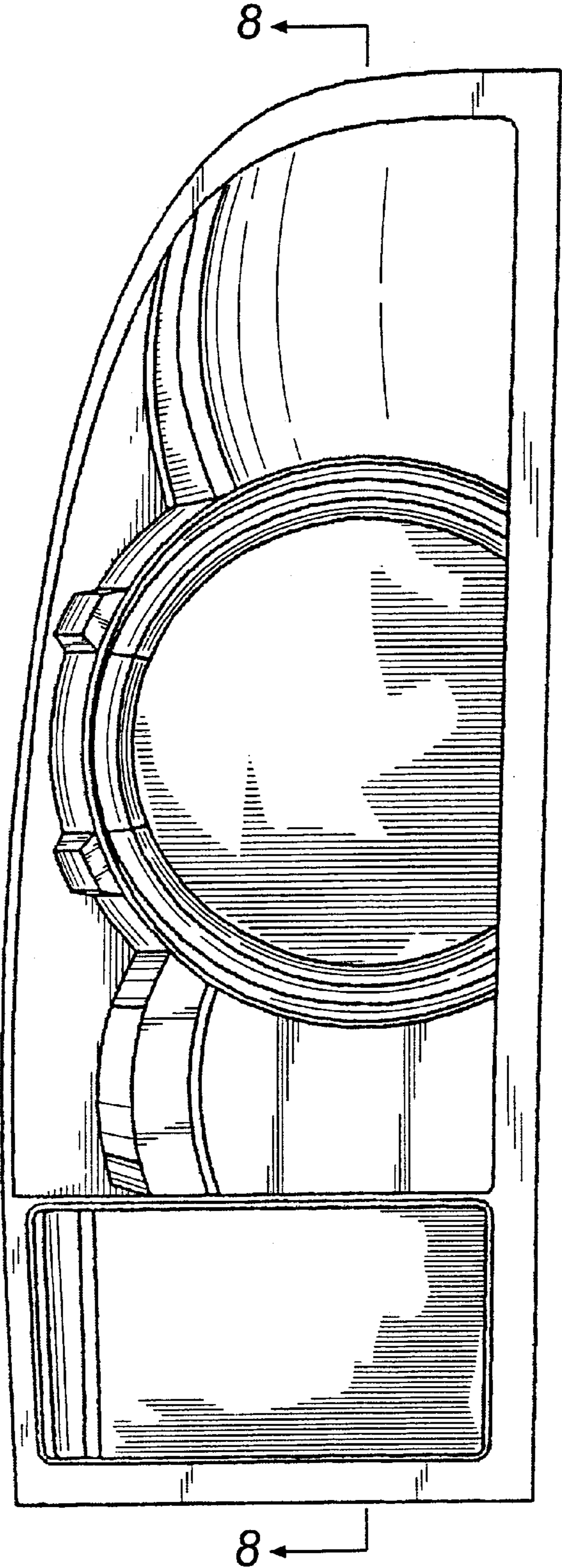


FIG. 2

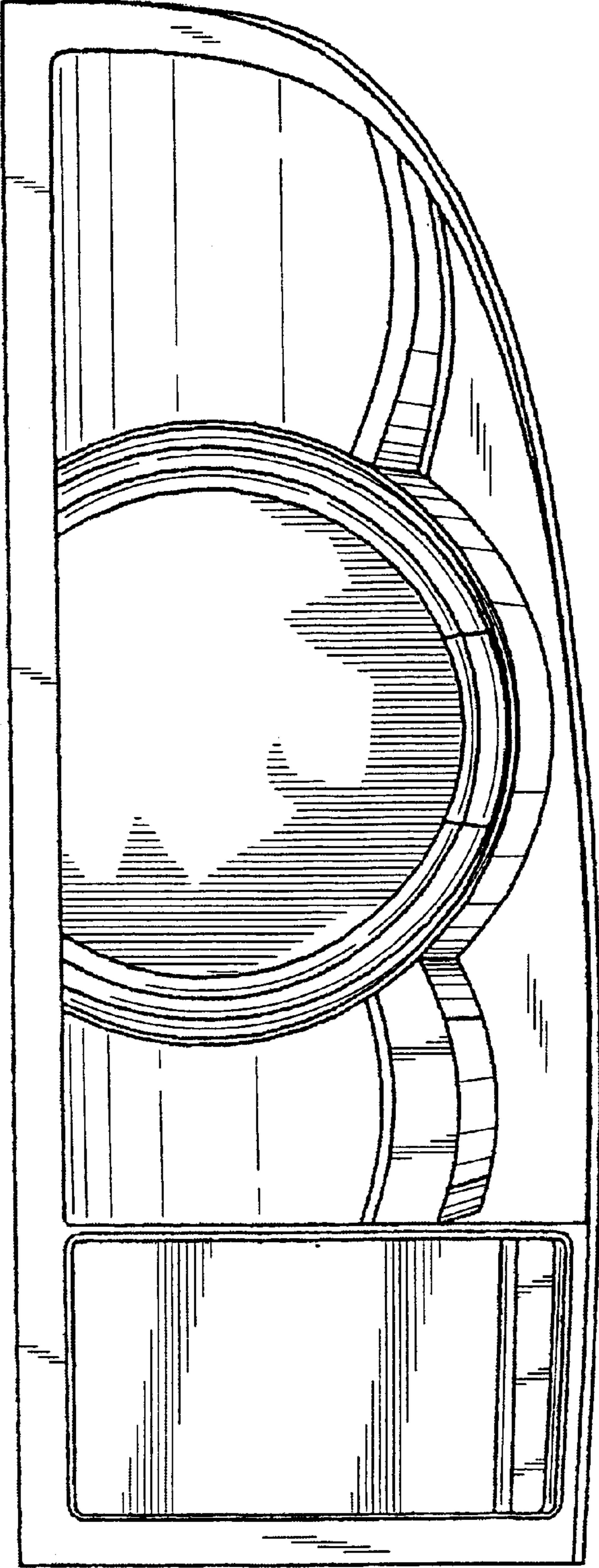


FIG. 3

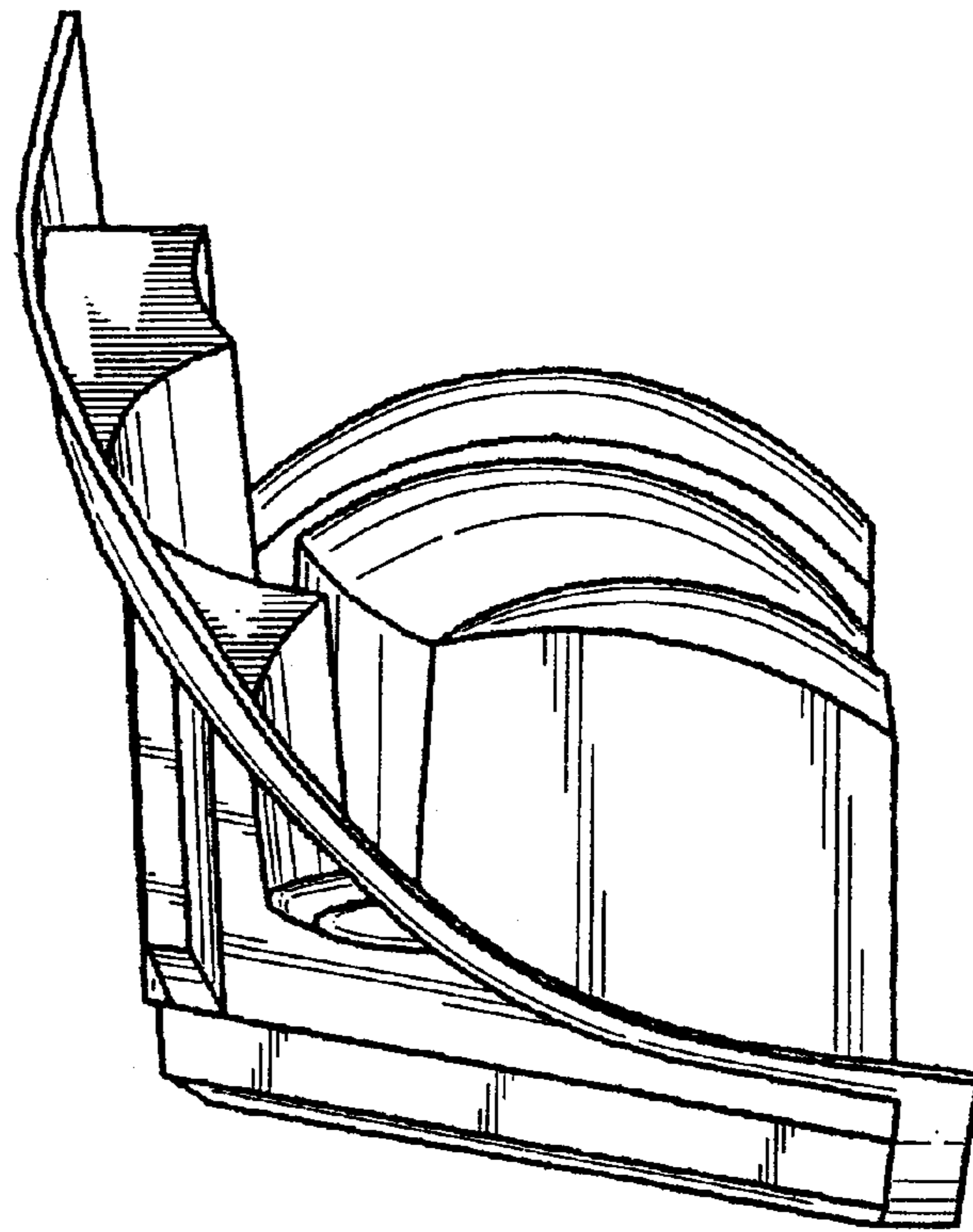


FIG. 4

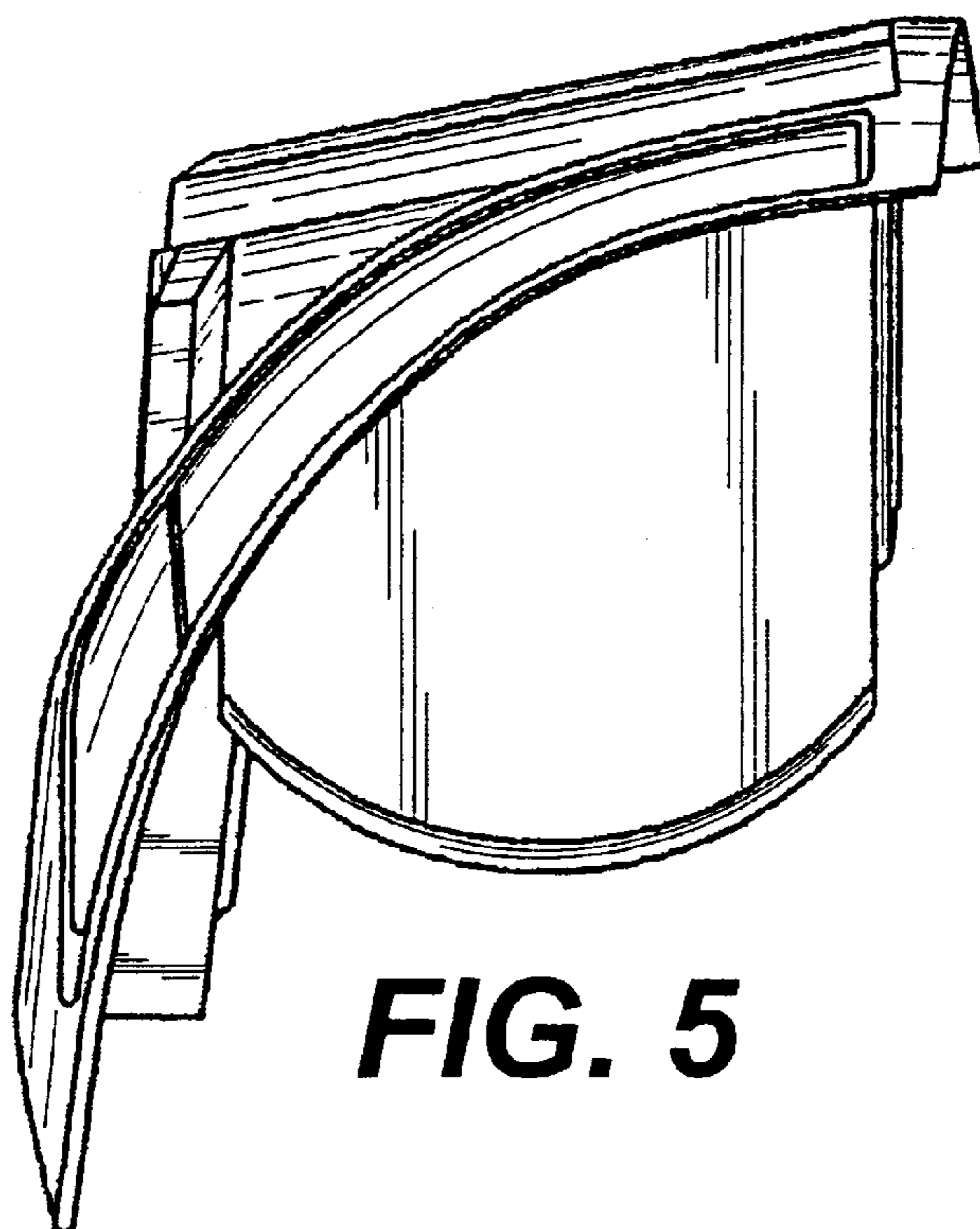


FIG. 5

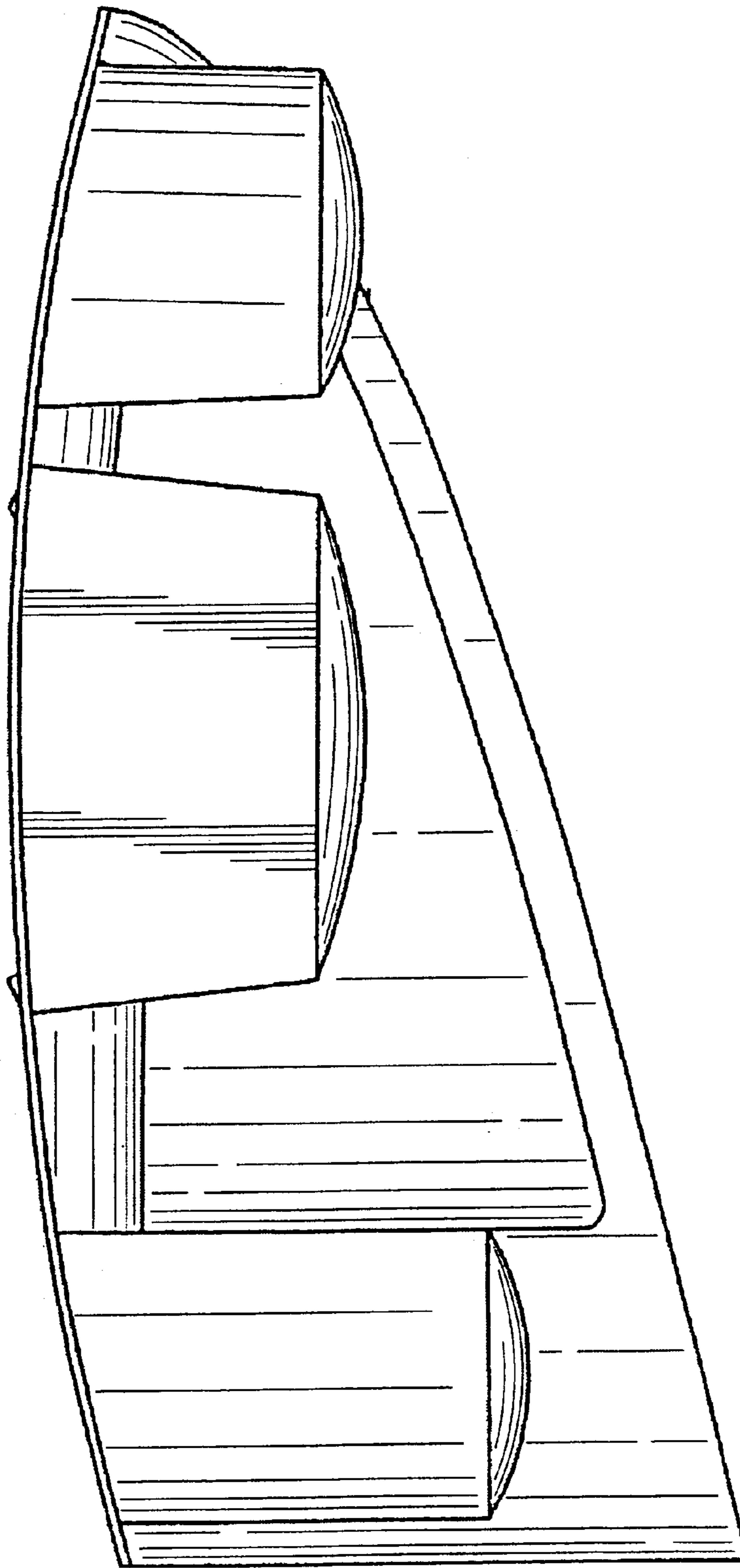


FIG. 6

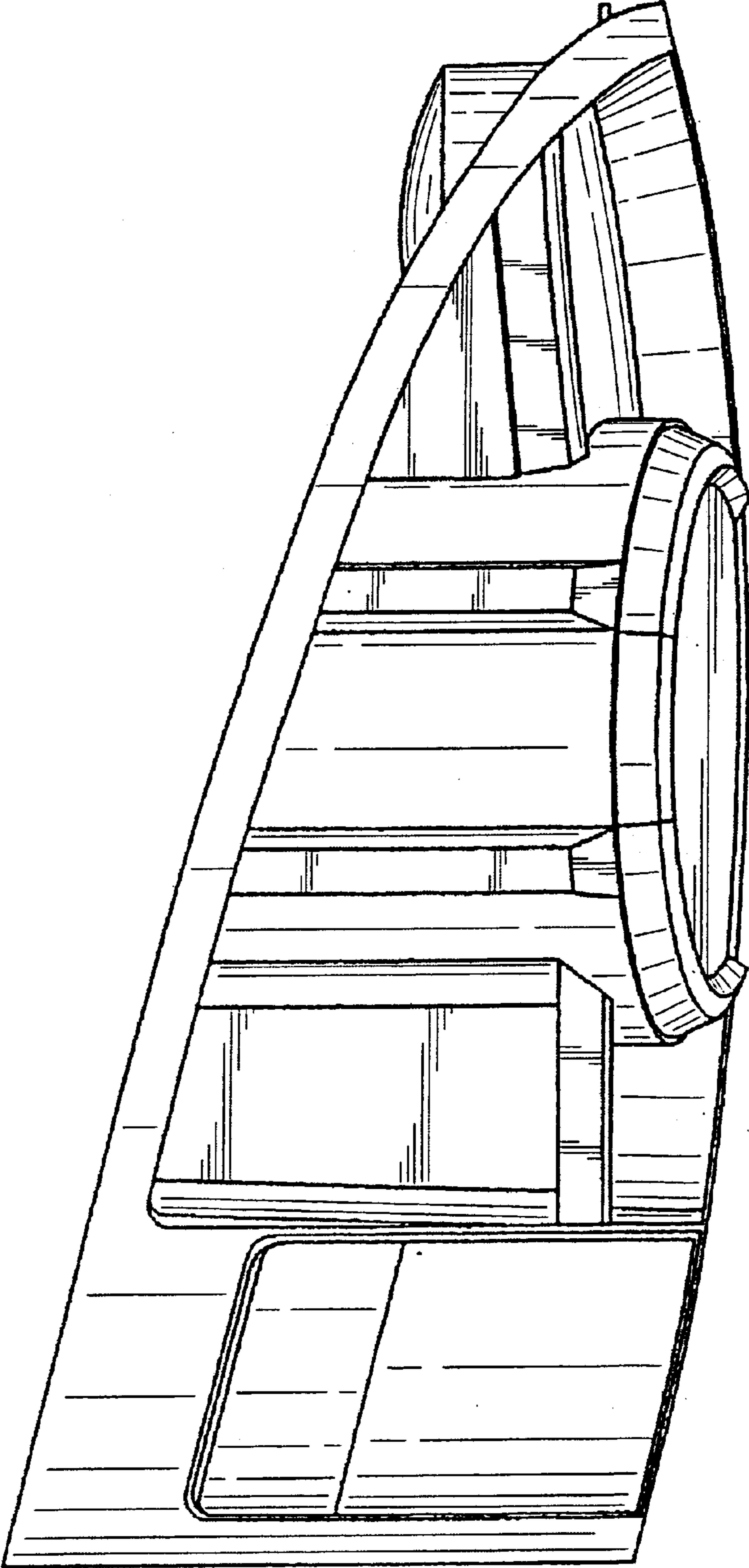


FIG. 7

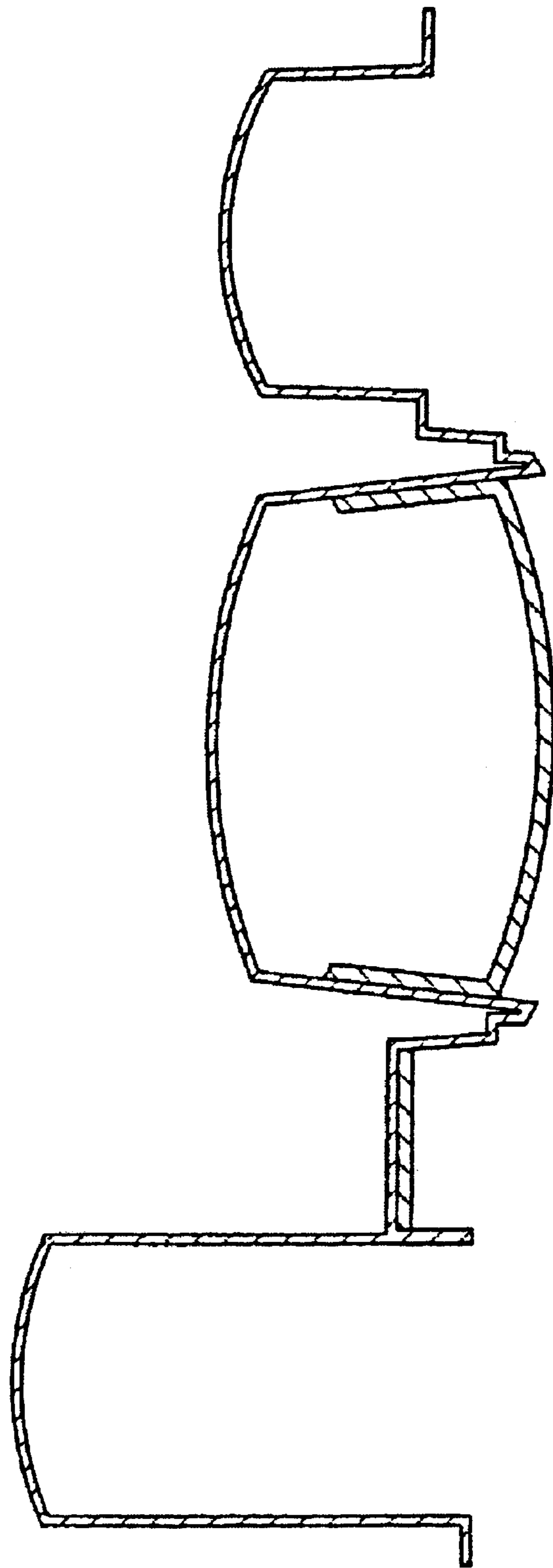


FIG. 8